



The Mercedes-Benz Vito.

Panel and crew van models.

Prices effective from 01 July 2023.

Mercedes-Benz





RETURN TO START

Contents

> Model overview	3
> Trims	
Vito PROGRESSIVE	4
Vito PREMIUM	5
Vito PREMIUM Night Edition	6
> Colours and Upholstery	7
> Equipment	8
> Engine and gearbox	10
> Fuel consumption	11
> Weights and payloads	12
> Dimensions	13
> List prices	17
> Approved Used	18
> Finance Options	19
> Aftercare	20

Please note

This document provides information about the model range line-up and specifications of the Vito. It also contains key details about options, economy and performance of all variants. Details are correct at time of publication and are subject to revision. Any images used in this document may not reflect UK specification and are for illustrative purposes only. Images may show optional equipment which does not form part of UK standard specification.

The Mercedes-Benz Vito.



RETURN TO START

2 van models:



Panel Van – 3 seats



Crew Van – 6 seats

2 lengths:



L2: 5,140mm



L3: 5,370mm

Height: 1,910mm

3 trims:



PROGRESSIVE



PREMIUM



PREMIUM Night Edition

Discover more about the other Mercedes-Benz Vito models in our range:

[> The Vito Tourer](#)

[> The eVito](#)

The Vito PROGRESSIVE.

Panel and Crew Van options available. Features include:

Interior

- Driver and co-driver airbag
- Comfort (eight-way adjustable) driver's seat
- Double co-driver seat
- Driver's seat lumbar support
- Locking glovebox
- Multifunctional steering wheel

Exterior

- Front fog lamps
- Headlight assistant
- Heated, electrically adjustable mirrors
- Twin sliding doors

Safety, security and connectivity

- Active Brake ASSIST
- Anti-theft protection package
- ATTENTION ASSIST
- Audio 30 with DAB radio, Apple/Android Car Play
- Crosswind ASSIST
- Cruise control with speed limiter
- Electrical components for trailer socket
- Double locks
- Reversing camera

All Vitos now offer a gross vehicle weight of 3.0t, increasing payload capability.

From **£30,010** (exc. VAT)*

* Based on a Vito 114 PROGRESSIVE L2.

• 2 lengths available

- L2: 5,140mm
- L3: 5,370mm

• 1 transmission available

- 6-speed (manual)

➤ [Arrange a test drive at your nearest Dealership](#)



Plastic bumpers included as standard.



The Mercedes-Benz Vito 4

Vito PROGRESSIVE	Vito PREMIUM	Vito PREMIUM Night Edition	Equipment	Engine & gearbox	Fuel consumption	Weights and payloads	Dimensions	List prices	Approved Used	Finance Options	Aftercare
------------------	--------------	----------------------------	-----------	------------------	------------------	----------------------	------------	-------------	---------------	-----------------	-----------

The Vito PREMIUM.

Panel and Crew Van options available. Features include:

Interior

- Driver and co-driver airbag
- Comfort (eight-way adjustable) driver's seat
- Double co-driver seat
- Driver's seat lumbar support
- Locking glovebox
- Multifunctional leather steering wheel

Exterior

- Colour coded bumpers
- Front fog lamps
- Headlight assistant
- Heated, electrically adjustable mirrors
- Twin sliding doors

Safety, security and connectivity

- Active Brake ASSIST
- Anti-theft protection package
- ATTENTION ASSIST
- Audio 30 with DAB radio, Apple/Android Car Play
- Crosswind ASSIST
- Cruise control with speed limiter
- Electrical components for trailer socket
- Double locks
- Reversing camera

All Vitos now offer a gross vehicle weight of 3.0t, increasing payload capability.

Additional features included with the PREMIUM:

- 17" alloy wheels
- Chrome radiator grille
- Electrically folding exterior mirrors
- Metallic paint
- PARKTRONIC
- TEMPOMATIC air conditioning
- Velour floor mats

From £37,360 (exc. VAT)*

* Based on a Vito 116 PREMIUM L2.

• 2 lengths available

L2: 5,140mm
L3: 5,370mm

• 1 transmission available

9G-TRONIC PLUS (automatic)

➤ [Arrange a test drive at your nearest Dealership](#)



Image shows wheels not available in the UK.



The Mercedes-Benz Vito

Vito PROGRESSIVE	Vito PREMIUM	Vito PREMIUM Night Edition	Equipment	Engine & gearbox	Fuel consumption	Weights and payloads	Dimensions	List prices	Approved Used	Finance Options	Aftercare
------------------	--------------	----------------------------	-----------	------------------	------------------	----------------------	------------	-------------	---------------	-----------------	-----------

The Vito PREMIUM Night Edition.

Panel and Crew Van options available. Features include:

Interior

- Driver and co-driver airbag
- Comfort (eight-way adjustable) driver's seat
- Double co-driver seat
- Driver's seat lumbar support
- Locking glovebox
- Multifunctional leather steering wheel
- TEMPMATIC air conditioning
- Velour floor mats

- 17" alloy wheels
- Chrome radiator grille
- Electrically folding exterior mirrors
- Obsidian Black metallic paint

Safety, security and connectivity

- Active Brake ASSIST
- Anti-theft protection package
- ATTENTION ASSIST
- Crosswind ASSIST
- Cruise control with speed limiter
- Electrical components for trailer socket
- Double locks
- Reversing camera
- PARKTRONIC

Exterior

- Colour coded bumpers
- Front fog lamps
- Heated, electrically adjustable mirrors
- Twin sliding doors

All Vitos now offer a gross vehicle weight of 3.0t, increasing payload capability.

Additional features included with the PREMIUM Night Edition:

- Roof Rails
- Audio 40
- Seat heating for co-driver
- Heated seat for driver
- LED Intelligent Light System
- Interior and ambient lighting, panel van
- Projection of brand logo
- Light-alloy wheels, 7,0Jx17, 5-twin-spoke design
- Black leatherette
- Shaded glass in rear, black glass (Crew Van ONLY)

From £41,940 (exc. VAT)*

* Based on a Vito 119 PREMIUM Night Edition L2.

• 1 length available

L2: 5,140mm

• 1 transmission available

9G-TRONIC PLUS (automatic)

➤ [Arrange a test drive at your nearest Dealership](#)



The Mercedes-Benz Vito 6

Colours and upholstery.



RETURN TO START

Solid paints



Arctic white
(Standard on the Vito PROGRESSIVE)



Pebble grey



Jupiter red



Navy blue



Granite green

Metallic paints



Obsidian black
(Standard on the Vito PREMIUM)



Hyacinth red



Brilliant silver

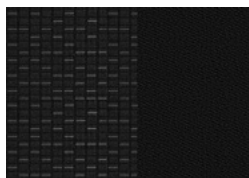


Dark graphite grey

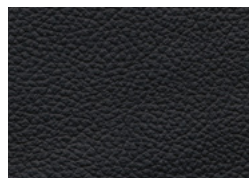


Selenite grey

Interior upholstery



Black Caluma seat upholstery
(Standard on the Vito PROGRESSIVE and PREMIUM)



Black leatherette seat upholstery
(Standard on the Vito PREMIUM Night Edition)

Equipment (optional equipment overview).



RETURN TO START

Every Vito model comes with a range of optional equipment packages you can add to enhance your van.

Key: ○ Optional — Not available

Equipment	Description	Sales Code	PROGRESSIVE	PREMIUM	PREMIUM NIGHT EDITION	Basic Price exc. VAT	Basic Price inc. VAT
Option packages							
Exterior, and parking	Exterior Style Pack 1: Body coloured bumpers, Electrically foldable door mirrors, Full wheel cover	NHKZ	○	—	—	£470.00	£564.00
	Exterior Style Pack 2: Body coloured bumpers, Electrically foldable door mirrors, Full wheel cover	NHLZ	—	○	—	£1,055.00	£1,266.00
	Driver Assistance Pack 1: PARKTRONIC, Audio 40 Satellite Navigation	NHMZ	○	—	—	£1,015.00	£1,218.00
	Driver Assistance Pack 2: Active Distance Assist DISTRONIC, Lane Keeping Assist, Audio 40 Satellite Navigation	NHNZ	—	○	—	£1,495.00	£1,794.00
Security	Safety Pack: Window airbags for driver and co-driver	NHOZ	○	○	—	£575.00	£690.00
Windows	Window front left, fixed, in sidew./sliding door (Panel Van only, standard on Crew Van)	W16	○	○	—	£130.00	£156.00
	Window front right, fixed, in sidew./sliding door (Panel Van only, standard on Crew Van)	W17	○	○	—	£130.00	£156.00
	Window fixed behind	W29	○	○	—	£220.00	£264.00
	Window in tailgate/rear door with wash/wipe system (Panel Van only, standard on Crew Van)	W78	○	○	—	£255.00	£306.00
Technology	Technology Pack (Panel Van): LED Intelligent Light System, Interior and ambient lighting, LED light strip in load compartment	NHPZ	—	○	—	£1,680.00	£2,016.00
	Technology Pack (Crew Van): LED Intelligent Light System, Interior and ambient lighting	NHPZ	—	○	—	£1,590.00	£1,908.00
Interior	Interior Style Pack (Panel Van): Black leatherette, Heated driver's seat, Heated co-driver's seat, Chrome interior highlights	NHQZ	—	○	—	£495.00	£594.00
	Interior Style Pack (Crew Van): Black leatherette, Heated driver's seat, Heated co-driver's seat, Chrome interior highlights	NHQZ	—	○	—	£530.00	£636.00
Paint	Pre-treated bumpers The pre-treated surfaces facilitate the painting of the bumpers in the desired colour at a later date.	CM3	○	—	—	£125.00	£150.00
	Colour-coded front and rear bumpers	CM2	○	—	—	£340.00	£408.00
	Metallic paint Price of paint is dependent on colour.	/	○	—	—	£610.00	£732.00

Changes to individual option availability and combinations may occur depending on vehicle specification choices and the continuing evolution and adaptation of our product range. These changes may not be immediately reflected in this document as they occur, but will be introduced at the next revision opportunity.

Equipment (optional equipment overview).



RETURN TO START

Description	Sales Code	PROGRESSIVE	PREMIUM	PREMIUM NIGHT EDITION	Basic Price exc. VAT	Basic Price inc. VAT
Main tank 70 litres	KB5	0	0	-	£90.00	£108.00
Alternator 14v/250A	M60	0	0	-	£660.00	£792.00
Rigid tow mechanism	Q22	0	0	-	£370.00	£444.00
Removable tow mechanism	Q50	0	0	-	£715.00	£858.00
Trailer load 2500kg	QA4	-	0	-	£75.00	£90.00

Engine and gearbox.



RETURN TO START

	PROGRESSIVE	PREMIUM	PREMIUM Night Edition
Engine specifications	114	116	119
Fuel	Diesel	Diesel	Diesel
Cylinder arrangement	4, in-line	4, in-line	4, in-line
Cubic capacity	1,950cc	1,950cc	1,950cc
Turbocharger	Two-stage turbocharger with variable turbine geometry	Two-stage turbocharger with variable turbine geometry	Two-stage turbocharger with variable turbine geometry
EU exhaust emission standard	Euro 6d	Euro 6d	Euro 6d
Output, max.	134hp @ 3,600-4,400rpm	160hp @ 3,800-4,400rpm	187hp @ 3,800-4,200rpm
Torque, max.	330Nm @ 1,250-2,400rpm	380Nm @ 1,250-2,400rpm	400Nm @ 1,350-2,600rpm
Fuel tank capacity	57L (70L with option KB5 – fuel tank, large)	57L (70L with option KB5 – fuel tank, large)	57L (70L with option KB5 – fuel tank, large)
AdBlue® capacity	24L	24L	24L
Diesel Particulate Filter (DPF)	●	●	●
6-speed manual gearbox	●	–	–
9G-TRONIC automatic gearbox	–	●	●
Driven Axle	RWD	RWD	RWD
Alternator	14V/200A with Alternator Management (battery charged during braking and overrun)	14V/200A with Alternator Management (battery charged during braking and overrun)	14V/200A with Alternator Management (battery charged during braking and overrun)
Battery	12 V/95Ah (AGM)	12 V/95Ah (AGM)	12 V/95Ah (AGM)

● Standard ○ Optional – Not available

Fuel consumption, performance and CO₂ emissions.



RETURN TO START

WLTP Fuel Consumption (l/100km/MPG)

Model	CO ₂ emissions (g/km)	Combined	Low-speed	Medium-speed	High-speed	Extra high-speed
Panel Van - PROGRESSIVE						
114 Van L2	192	7.3/ 38.7	9.2/ 30.7	7.0/ 40.4	6.3/ 44.8	7.8/ 36.2
114 Van L3	193	7.4/ 38.2	9.3/ 30.3	7.1/ 39.7	6.3/ 44.8	7.8/ 36.2
Panel Van - PREMIUM						
116 Van L2	197	7.5/ 37.6	8.9/ 31.7	7.4/ 38.1	6.5/ 43.4	7.9/ 35.8
116 Van L3	197	7.5/ 37.6	9.0/ 31.4	7.4/ 38.2	6.5/ 43.5	7.9/ 35.8
Panel Van - PREMIUM Night Edition						
119 Van L2	203	7.7/ 36.7	9.7/ 29.1	7.6/ 37.2	6.7/ 42.2	8.1/ 34.9

WLTP Fuel Consumption (l/100km/MPG)

Model	CO ₂ emissions (g/km)	Combined	Low-speed	Medium-speed	High-speed	Extra high-speed
Crew Van - PREMIUM						
116 Crew Van L2	200	7.6/ 37.1	9.1/ 31	7.5/ 37.6	6.6/ 42.8	8/ 35.3
116 Crew Van L3	201	7.7/ 36.6	9.2/ 30.7	7.6/ 37.1	6.6/ 42.8	8/ 35.3
Crew Van - PREMIUM Night Edition						
119 Crew Van L2	206	7.9/ 35.8	9.9/ 28.5	7.8/ 36.2	6.8/ 41.5	8.2/ 34.5

All figures are based on a standard specification. The choice of additional factory options may affect CO₂ emissions and corresponding Road Fund Licence. The indicated values were determined according to the prescribed measurement method - Worldwide Harmonised Light Vehicle Test Procedure (WLTP). Figures shown may include options which are not available in the UK. Figures shown are for comparability purposes; only compare with other vans tested to the same technical procedures. Figures may not reflect real life driving results, which will depend upon a number of factors including factory-fitted options, accessories fitted (post registration), variations in weather, driving styles and vehicle load.

Further information about the test used to establish fuel consumption and CO₂ figures can be found at <https://www.mercedes-benz.co.uk/vans/en/WLTP>

Weights and payloads.



RETURN TO START

Model	Unladen Weight (Kg)	Gross Vehicle Weight (Kg)	Payload (Kg)	Gross Train Weight (Kg)
Panel Van - PROGRESSIVE				
114 Van L2	2,057	3,000	944	5,000
114 Van L3	2,077	3,000	924	5,000
Panel Van - PREMIUM				
116 Van L2	2,100	3,000	901	5,000
116 Van L3	2,120	3,000	881	5,000
Panel Van - PREMIUM Night Edition				
119 Van L2	3,000	3,000	873	5,000

Model	Unladen Weight (Kg)	Gross Vehicle Weight (Kg)	Payload (Kg)	Gross Train Weight (Kg)
Crew Van - PREMIUM				
116 Crew van L2	2,192	3,000	809	5,000
116 Crew van L3	2,212	3,000	789	5,000
Crew Van - PREMIUM Night Edition				
119 Crew van L2	2,220	3,000	781	5,000

Please note: The stated payload weights are correct according to type approval data. The specific payload values for UK supplied vehicles may differ. The figure quoted only accounts for equipment which is included in the UK product offer as standard. Please speak to a dealer for final vehicle configurations and weights once all options and accessories have been added.

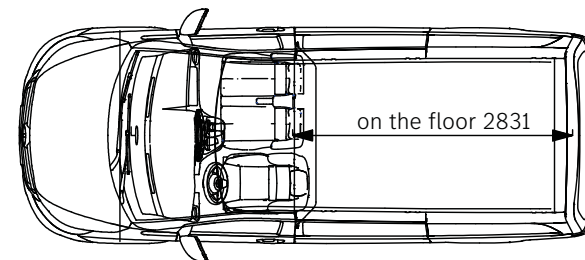
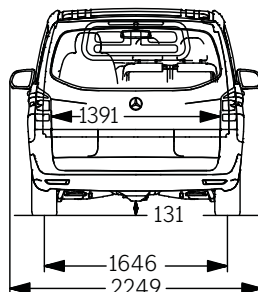
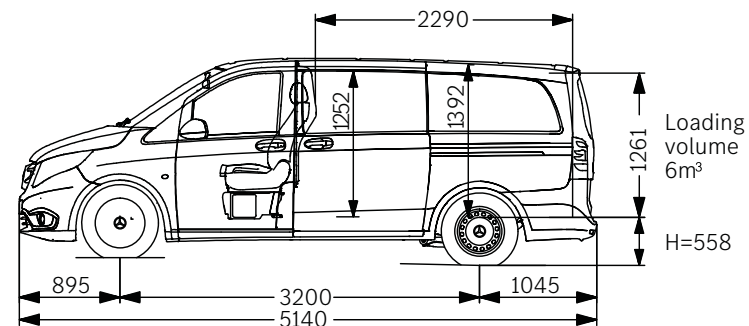
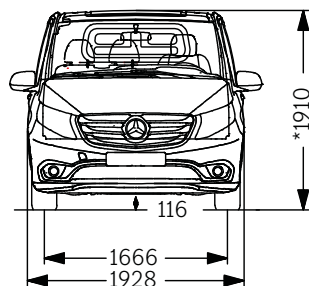
Dimensions.



RETURN TO START

PANEL VAN L2

Wheelbase	Wheelbase length	3,200mm
	Turning circle	11.8m
	Track circle	11m
	Front track width	1,666mm
	Rear track width	1,646mm
Vehicle	Length	5,140mm
	Height (unladen)	1,910mm
	Width (inc. wing mirrors)	2,249mm
	Ground clearance	116mm
Load compartment	Length	2,831mm*
	Load volume	6.0m ³
	Max. width	1,685mm
	Width between wheel arches	1,270mm
	Height	1,391mm
	Rear loading height (step height from ground to load floor)	558mm



H ca. / *558 *unloaded
Turning circle Ø ca. 11.8m
Track circle Ø ca. 11m

* Measured on vehicle floor and includes 370mm for the space beneath the front seats.

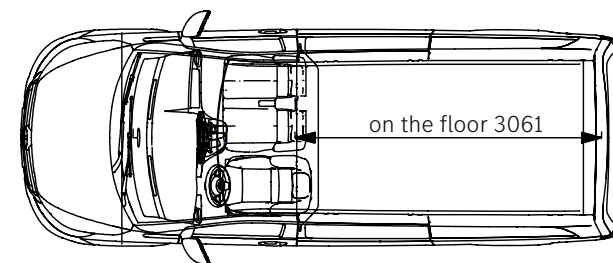
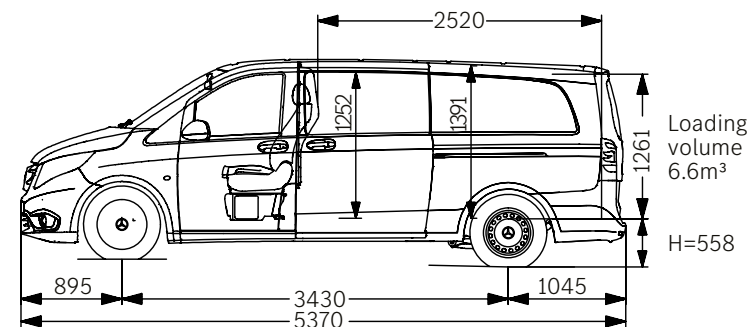
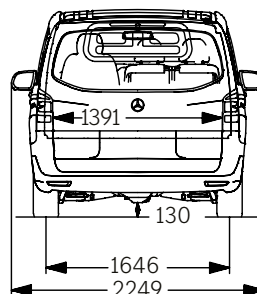
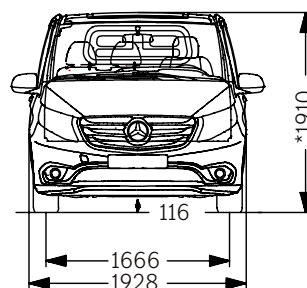
Dimensions.



RETURN TO START

PANEL VAN L3

Wheelbase	Wheelbase length	3,430mm
	Turning circle	12.5m
	Track circle	12m
	Front track width	1,666mm
	Rear track width	1,646mm
Vehicle	Length	5,370mm
	Height (unladen)	1,910mm
	Width (inc. wing mirrors)	2,249mm
	Ground clearance	116mm
Load compartment	Length	3,061mm*
	Load volume	6.6m ³
	Max. width	1,685mm
	Width between wheel arches	1,270mm
	Height	1,391mm
	Rear loading height (step height from ground to load floor)	558mm



H ca. / *558 *unloaded
Turning circle Ø ca. 12.5m
Track circle Ø ca. 12m

* Measured on vehicle floor and includes 370mm for the space beneath the front seats.

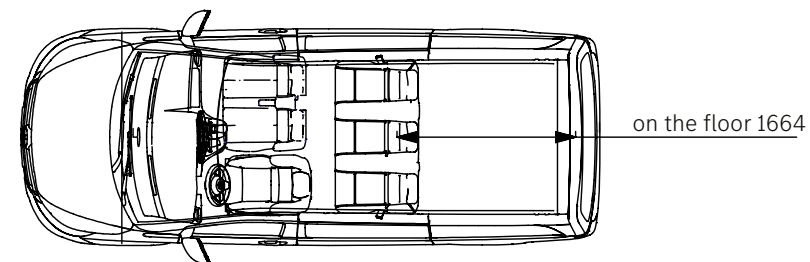
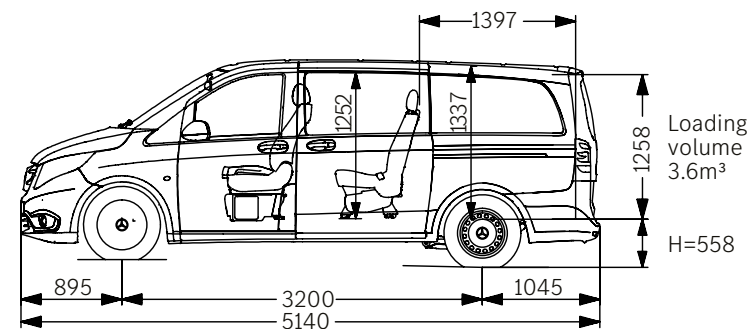
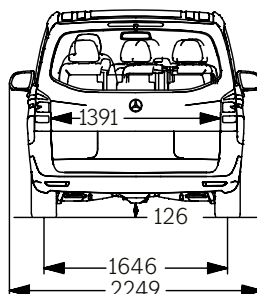
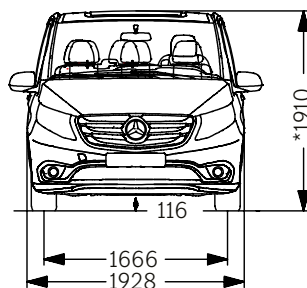
Dimensions.



RETURN TO START

CREW VAN L2

Wheelbase	Wheelbase length	3,200mm
	Turning circle	11.8m
	Track circle	11m
	Front track width	1,666mm
	Rear track width	1,646mm
Vehicle	Length	5,140mm
	Height (unladen)	1,910mm
	Width (inc. wing mirrors)	2,249mm
	Ground clearance	116mm
Load compartment	Length	1,664mm*
	Load volume	3.6m ³
	Max. width	1,685mm
	Width between wheel arches	1,270mm
	Height	1,391mm
	Rear loading height (step height from ground to load floor)	558mm



H ca. / *558 *unloaded
Turning circle Ø ca. 11.8m
Track circle Ø ca. 11m

* Measured on vehicle floor and includes 370mm for the space beneath the front seats.

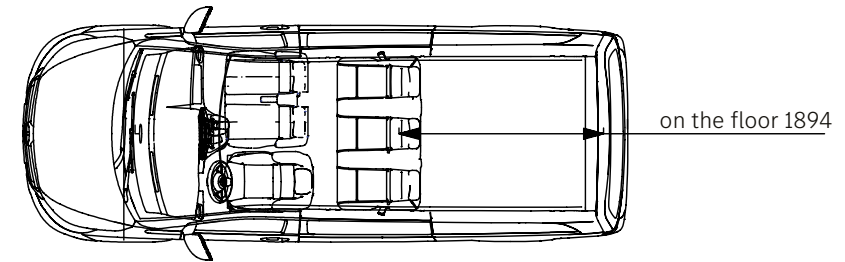
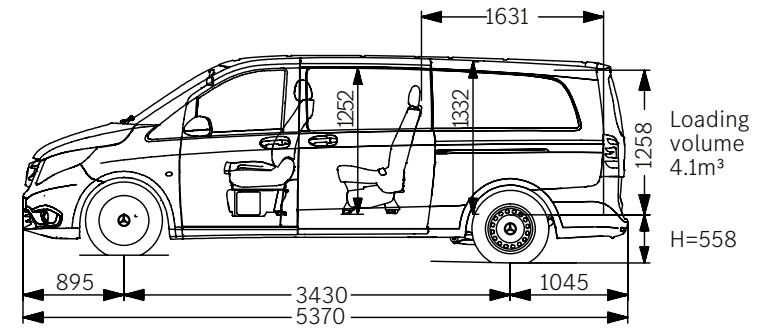
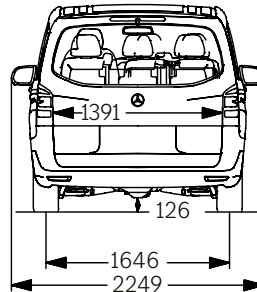
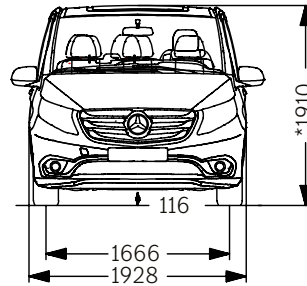
Dimensions.



RETURN TO START

CREW VAN L3

Wheelbase	Wheelbase length	3,430mm
	Turning circle	12.5m
	Track circle	12m
	Front track width	1,666mm
	Rear track width	1,646mm
Vehicle	Length	5,370mm
	Height (unladen)	1,910mm
	Width (inc. wing mirrors)	2,249mm
	Ground clearance	116mm
Load compartment	Length	1,894mm*
	Load volume	4.1m ³
	Max. width	1,685mm
	Width between wheel arches	1,270mm
	Height	1,391mm
	Rear loading height (step height from ground to load floor)	558mm



H ca. / *558 *unloaded
Turning circle Ø ca. 12.5m
Track circle Ø ca. 12m

* Measured on vehicle floor and includes 370mm for the space beneath the front seats.

List prices.



RETURN TO START

Model	Transmission	Basic Recommended Retail Price (Ex. VAT)	Basic Recommended Retail Price (Inc. VAT)
Panel Van – PROGRESSIVE			
114 Van L2	6-speed (manual)	£30,010	£36,012
114 Van L3	6-speed (manual)	£30,645	£36,774
Panel Van – PREMIUM			
116 Van L2	9G-TRONIC (auto)	£37,360	£44,832
116 Van L3	9G-TRONIC (auto)	£38,000	£45,600
Panel Van – PREMIUM Night Edition			
119 Van L2	9G-TRONIC (auto)	£41,940	£50,328

Model	Transmission	Basic Recommended Retail Price (Ex. VAT)	Basic Recommended Retail Price (Inc. VAT)
Crew Van – PREMIUM			
116 Crew Van L2	9G-TRONIC (auto)	£39,575	£47,490
116 Crew Van L3	9G-TRONIC (auto)	£40,215	£48,258
Crew Van – PREMIUM Night Edition			
119 Crew Van L2	9G-TRONIC (auto)	£44,100	£52,920

This vehicle is predominantly designed for the purpose of carrying goods. If you intend to use or modify the vehicle for commercial and private use then it could be classified for tax purposes as a car and therefore subject to increased BIK and RFL liabilities.

This document is for guidance only and must be used in conjunction with a configuration tool prior to final specification decisions and vehicle quotations being prepared and accepted. List prices are quoted ex-factory unless otherwise stated. Delivery charges excluding VAT will be added to model prices quoted in this document. Prices based on standard finish paint choice. Mercedes-Benz Vans UK and authorised Dealers reserve the right to alter specification and vary prices without notice. The availability of options may depend on the chosen base vehicle and other optional equipment specified, and should be confirmed with your Mercedes-Benz Vans Dealer prior to order placement. VAT is calculated at the standard rate of 20%. Mercedes-Benz Vans UK Ltd, Tongwell, Milton Keynes MK15 8BA.

Mercedes-Benz Approved Used vans. Get used to more...



RETURN TO START

More choice. More confidence. More quality – and more added extras.

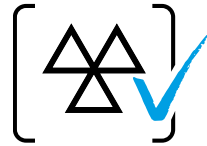
As a Mercedes-Benz Approved Used customer, you'll have complete peace of mind as every van offers the same commitment to quality and workmanship as new and comes with:



Minimum 12-month warranty*
PLUS the option of monthly
top-ups, up to 24 months*



Free MOT test failure cover**
covering you for £1,500



Minimum
3 months MOT



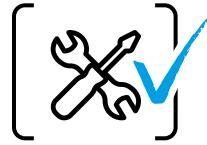
Free 24/7 breakdown cover
and roadside assistance^



Free 7-day driveaway
van insurance^^



Comprehensive
multi-point vehicle check



Discounted
service plans

▶ [View our Dealer Networks Approved Used van stock](#)

*Warranty eligible up to 200,000 miles on approved used Mercedes-Benz Vans with less than 150,000 miles at point of sale. Top ups are to a maximum of 24 months. For full T&Cs, please speak to your preferred sales representative. ** MOT cover redeemable per 12-months warranty. £1,500 claims limit. For more information, please speak to your preferred sales representative. ^ Free for 12 months initially and renewed at each service, if serviced by MB according to service intervals for up to 30 years from when the vehicle was first registered. For a full list of exclusions and all product terms please visit mbvans.co.uk/mobilovan ^^ Available on single vehicle policies only and applicable on Vehicles up to 3.5t only. For full terms and conditions, please consult your local Dealer. Mercedes-Benz Van Insurance is a trading name of Mercedes-Benz Insurance Services UK Limited. Prices are correct at time of going to press 07/2023. All prices are subject to any fiscal or legislative changes.



Approved
Used



What is an Approved Used van?

- Is no older than 6 years old
- Is eligible for one of our flexible finance plans
- Has less than 150,000 miles on the clock

▶ [Find more information and our latest Approved Used offers](#)

Ready to go electric?

▶ [Find our latest Approved Used Electric offers](#)

The Mercedes-Benz Vito

18

Vito
PROGRESSIVE

Vito
PREMIUM

Vito PREMIUM
Night Edition

Equipment

Engine & gearbox

Fuel consumption

Weights and
payloads

Dimensions

List prices

Approved Used

Finance Options

Aftercare

Finance options.



RETURN TO START

Get an agreement that suits you with Mercedes-Benz Finance.

At Mercedes-Benz Finance we understand what it takes to run a modern-day business. Because of this, we have a number of finance options ready to suit your business needs.

Agility

A flexible way of financing a vehicle over a fixed term. At the start of your agreement, decide on your deposit amount, expected annual mileage and how long you want the agreement to last.

- You'll have fixed regular payments meaning you can easily budget
- Payments are only based on a part of the vehicle's value, keeping your payments lower
- You're in control: At the end of the agreement you can decide to purchase your vehicle, return it, or part-exchange it for a new one.

Hire Purchase

A great choice if you want to own the vehicle outright. At the start of your agreement, decide on your deposit amount and how long you want the agreement to last, and we'll work out your monthly payments.

- The monthly payments are not based on annual mileage
- You have the option to have a balloon payment at the end of the agreement, which will lower your monthly payments
- When you've paid all the monthly repayments and Purchase Activation Fee, the vehicle is yours to keep.

Operating Lease

For those who want to drive a Mercedes-Benz over a fixed term, without the commitment of taking full ownership. Decide on your advance rental amount, expected annual mileage, and how long you want the agreement to last.

- Once all rentals are paid, you simply hand your vehicle back
- You only repay part of the vehicle's value, keeping your monthly rentals lower
- For business customers, rentals are allowable against taxable profits (proportionally).

Contract Hire

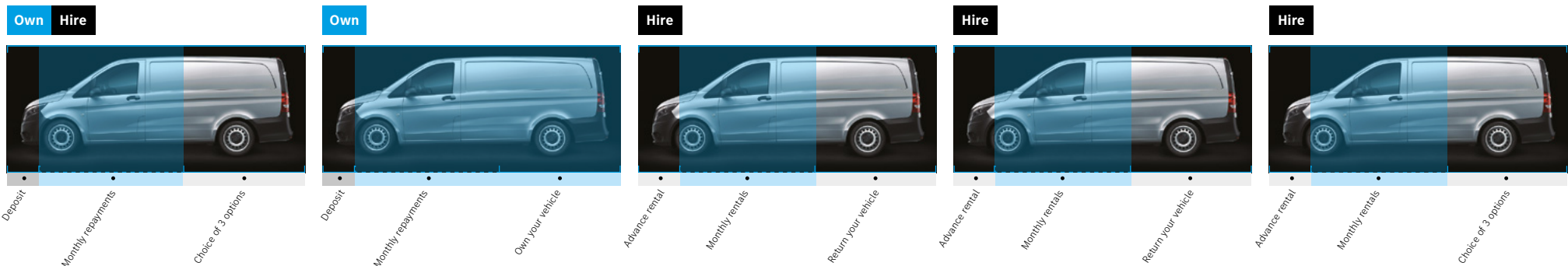
Gives you the ability to enjoy driving a Mercedes-Benz without taking on full ownership. Decide on your advance rental amount, expected annual mileage how long you want the agreement to last, and any servicing options.

- The monthly rentals include the cost of the Vehicle Excise Duty
- You only repay part of the vehicle's value, keeping your monthly rentals lower
- For business users, VAT is reclaimable depending on your usage (proportionally).

Finance Lease

Hire the vehicle for a fixed period without the option of ownership. Pay an agreed amount upfront, and decide if you wish to include a balloon payment at the end of your agreement. This lowers your monthly rentals.

- The fixed regular rentals enable you to easily budget, and are not based on annual mileage
- The vehicle is an asset on the balance sheet, therefore tax allowances may be deducted from taxable profits
- At the end of your agreement, there is an option to extend for an agreed period by paying a 'peppercorn' payment. This is equal to one month's rental per annum.



▶ [For more information about our finance options](#)

Service24: Demand more

The most comprehensive Aftercare package – for businesses that demand more.

Our 120-strong Dealer network works around the clock to service and maintain your vans and keep your business moving. It all adds up to more value, more flexibility and more confidence that you'll only find at an authorised Mercedes-Benz Dealer.



› Flexible servicing and maintenance

Book your service online or by telephone, and as well as a standard 'drop and go' service with a courtesy van, you'll also get:

- Early bird, late night and weekend slots
- Mobile service
- Overnight service
- Collect & deliver service
- Express 1hr service
- Electric van service.

[Find out more about service and repairs](#)

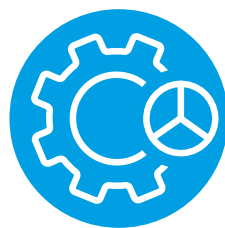


› Flexible ways to pay and save

With fixed, transparent national pricing there are no surprises with our services and repairs – plus you can fix, spread and reduce your service and maintenance costs, and ease your cashflow at the same time, with a payment plan.

- Pay as You Go
- ServiceCare Maintenance
- ServiceCare Flex (specifically for fleets)
- ServiceCare Complete.

[Find out more about service options](#)



› 3-year unlimited mileage warranty

Available on every new van, all service and maintenance – and any work required – is covered by your 3-year unlimited mileage warranty, and is only undertaken by Mercedes-Benz trained technicians using Mercedes-Benz GenuineParts.

[Find out more about warranties](#)



› Free breakdown cover & roadside assistance*

Every van comes with free Europe-wide breakdown cover – MobiloVan. And with 3 years' cover on new vehicles for driver mishaps, no one goes further to keep your business moving.

- Trained technicians using only Mercedes-Benz GenuineParts
- Forward travel of load and crew is covered
- Driver mishap cover for the first 3 years, including out of charge cover or empty fuel tanks.

[Find out more about MobiloVan](#)

*For a full list of exclusions and all product terms please visit www.mercedes-benz.co.uk/vans/en/Owners/MobiloVan

The Mercedes-Benz Vito

20

