

DACIA

DACIA SANDERO



4th January 2024

1

EXPLORE YOUR SANDERO

DISCOVER



2

YOUR SANDERO FOR DAILY USE

DISCOVER



3

EQUIPMENT AND TECHNICAL CHARACTERISTICS

DISCOVER



4

THE DACIA SPIRIT: GOOD THINKING

DISCOVER



JUST ESSENTIAL



A UNIQUE ALLY FOR THE DAY-TO-DAY

Dacia Sandero fits better than ever with your lifestyle and desires. Its lines combine robustness and dynamism in a sleek and distinctive design. Stylish, practical, modern, it offers the essential equipment and comfort to make every journey a moment of pleasure.



THE POWER OF WHAT IS ESSENTIAL

Admire the style of Dacia Sandero, a combination of robustness and dynamic lines: simply stunning. Its front and rear Y-shaped brand light puts the finishing touches on a strong and modern identity. Its LED dipped headlights will light up the road at night like never before.



The black radiator grille with touches of white adds to its personality. The Sandero spirit that you enjoy so much is also found in the details: in the body-tone door mirror shells and in the range of wheels.



Brand light



Rear Y-Shaped brand light



ALL YOU NEED IS WITHIN EASY REACH

From the moment you step in thanks to the automatic remote opening, you feel comfortable in a welcoming and modern setting. Its panoramic dashboard combines elegance and efficiency. The driver-focused dashboard provides easy access to all the functions: intuitive heating and air-conditioning system controls, built-in 8-inch screen with navigation and replication of the applications on your smartphone USB, rear parking sensors, as well as height- and depth-adjustable steering wheel.



Keyless entry and start card



Instrument panel with digital display

[BUILD YOURS](#)

[MENU](#)

SPACIOUSNESS AND VERSATILITY

Thanks to one of the best interior spaces in its category, generous storage compartments and a spacious trunk, the Dacia Sandero adapts to your daily life. And always benefit from the latest features that allow you to drive with peace of mind.

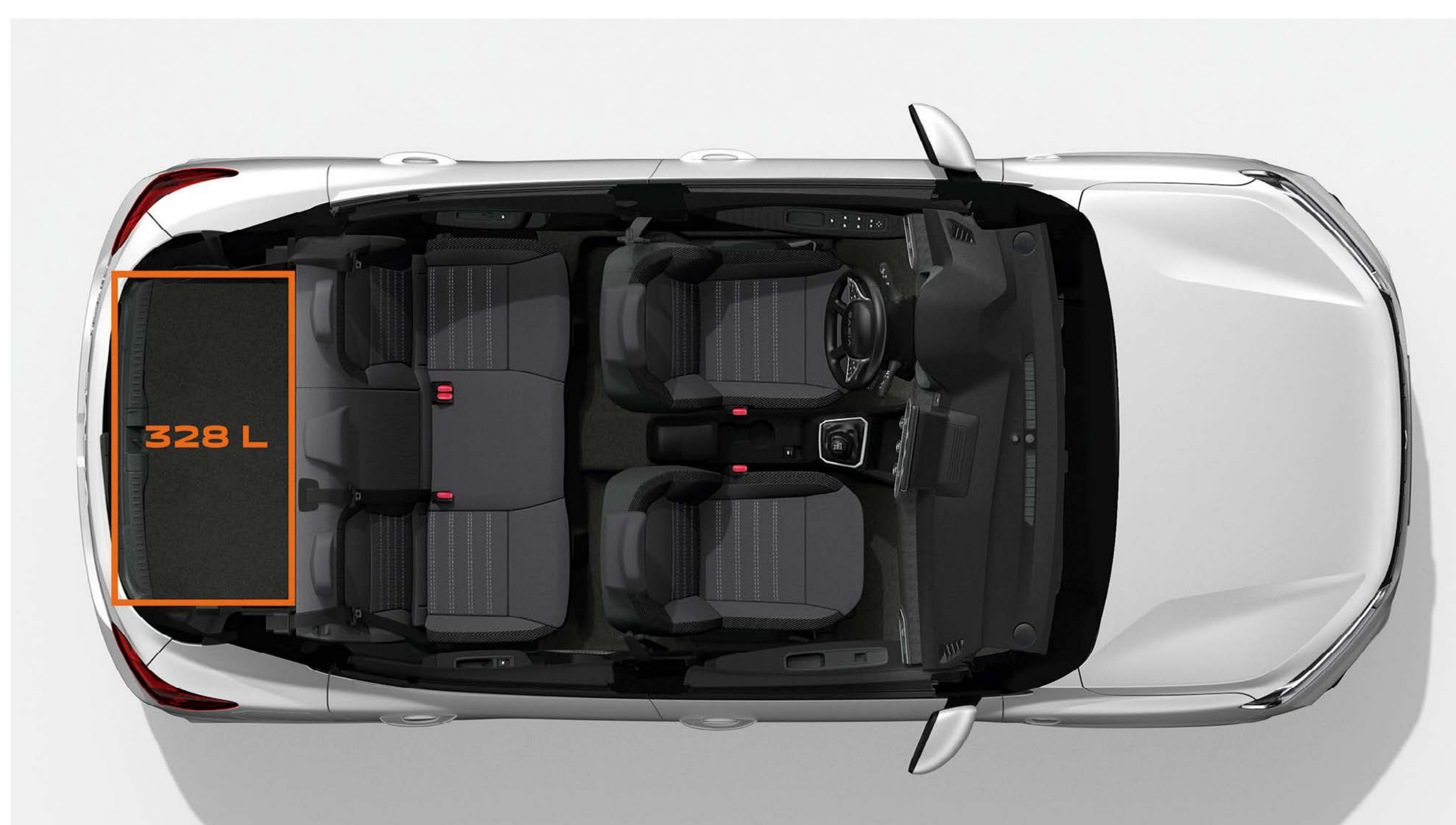


TAKE CONTROL OF THE SPACE

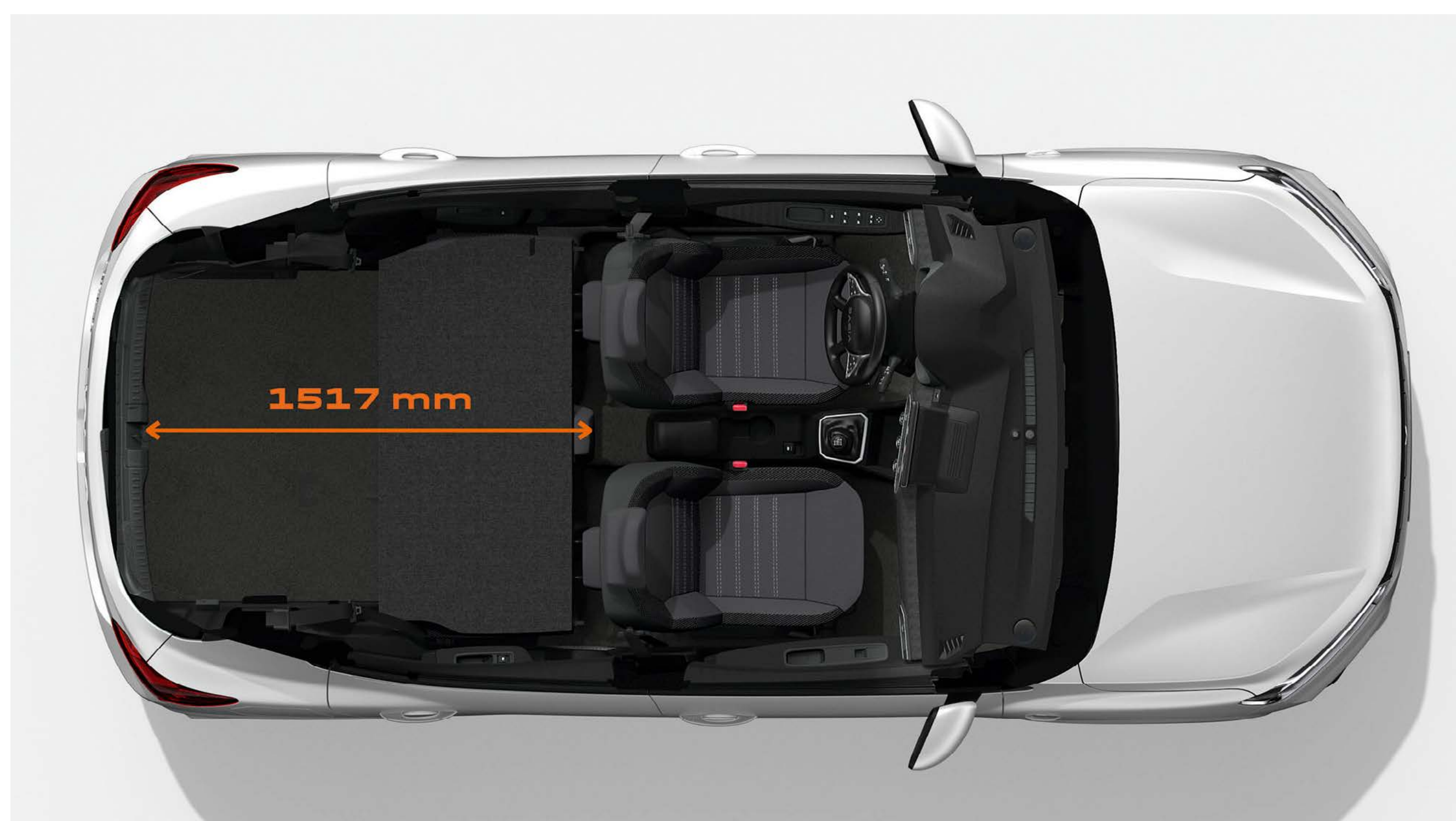
Dacia Sandero perfectly adapts to your life. And it has the resources, with its large boot and rear folding bench seat, to adapt the space to your requirements. It also comes with a lot of storage space: cup holders, door bin, closed glovebox and storage console that perfectly meet your organisational requirements.



The generous width at the shoulders for the driver and the leg room for passengers in the rear provide optimum comfort.



Boot volume: 328 litres

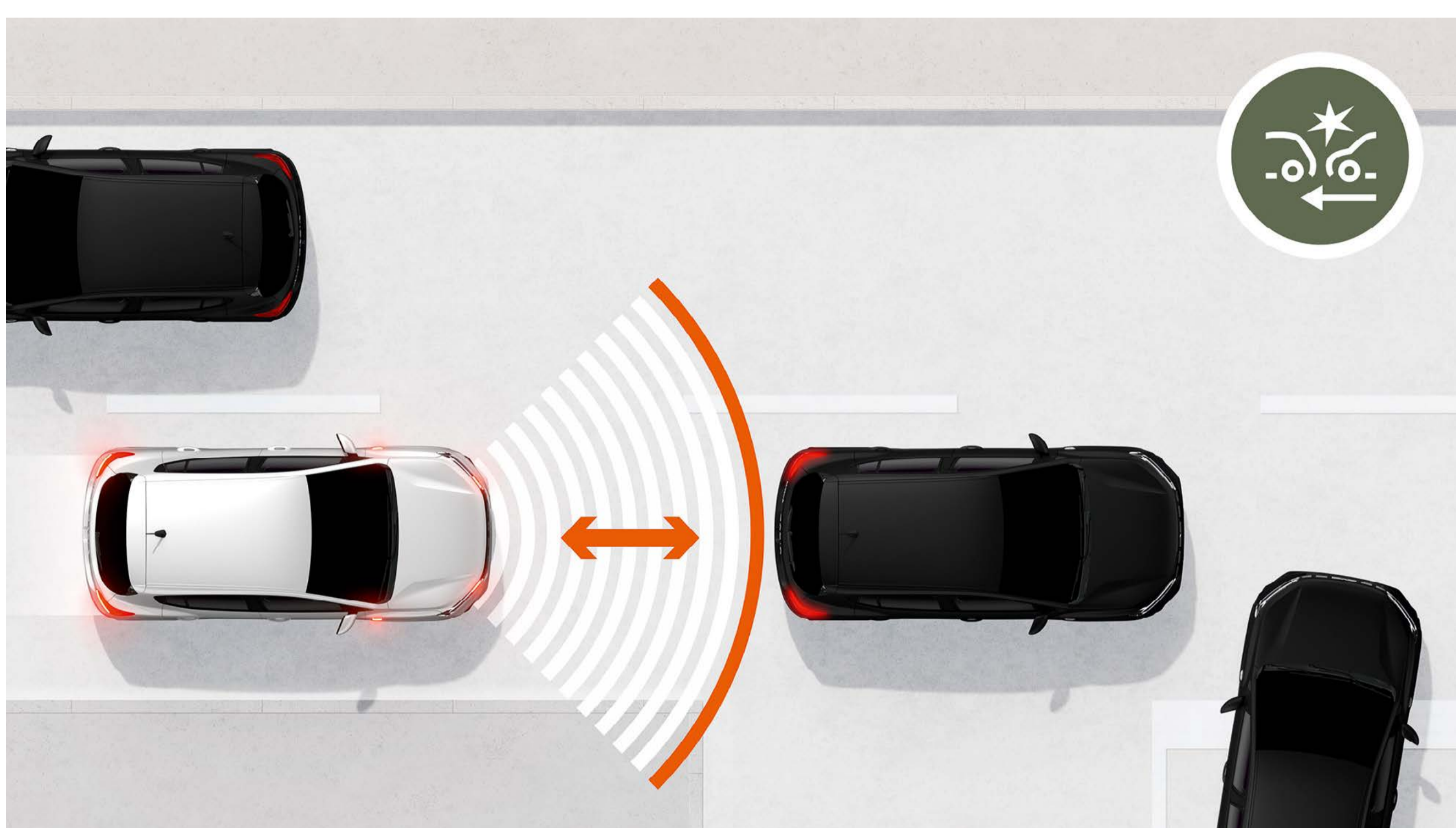


Rear bench seat folded down: 1,108 litres of boot volume

SAFE EVERY STEP OF THE WAY

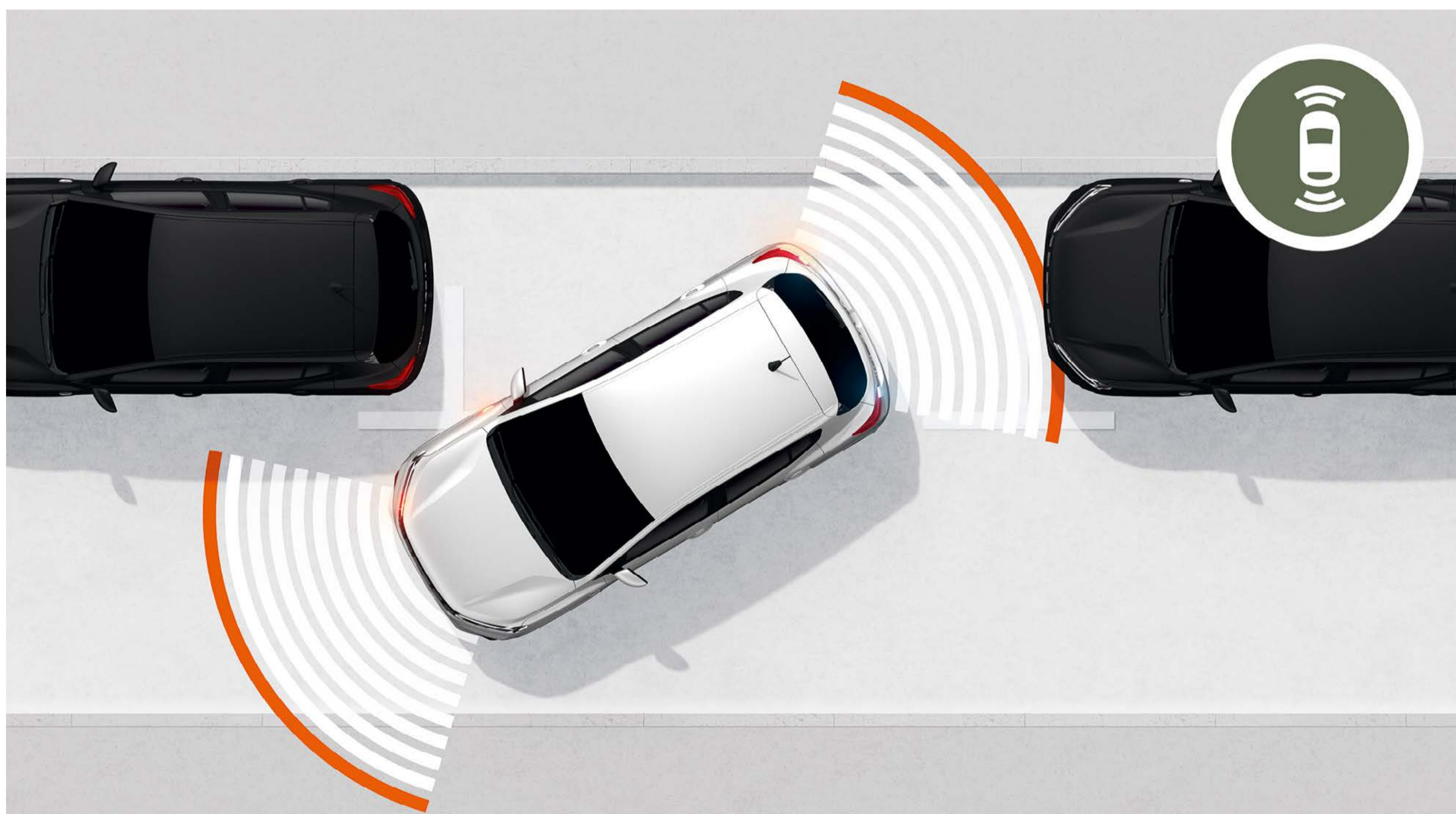
For Dacia, nothing is more important than constantly improving the safety of our vehicles, and most of all, that of the passengers. What with automatic emergency braking, hill start assist and six airbags (standard) you can relax.

Dacia Sandero and Sandero provide everything you need for worry-free driving.



AUTOMATIC EMERGENCY BRAKING

Sometimes, concentrating and being reactive is not enough. You can rely on Sandero to avoid or mitigate minor accidents. Automatic emergency braking detects collision hazards. If you don't react or if you don't react quickly enough, your system triggers and optimises braking.



REAR PARKING SENSORS AND REAR-VIEW CAMERA

In the city, all parking spaces are worth taking, even the narrowest ones. You will be won over from the first manoeuvre by the sensing device that warns you with an audible and visual signal as soon as an obstacle is detected at the rear of the vehicle.



HILL START ASSIST

No need to stress when you start on a slope! This function immediately prevents the vehicle from moving backwards when you release the brake pedal. You no longer have to grab the parking brake to help you; manoeuvring your vehicle is as easy as ABC.

[BUILD YOURS](#)

[MENU](#)

DISCOVER THE EQUIPMENT

COLOUR PALETTE



HUBCAPS & WHEELS



AMBIANCES



ACCESSORIES



ENGINES



EQUIPMENT & OPTIONS



PRICING



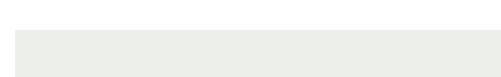




SERVICING



DIMENSIONS



COLOUR PALETTE

 GLACIER WHITE	 PEARL BLACK	 MOONSTONE GREY	 IRON BLUE
 URBAN GREY			



GLACIER WHITE⁽¹⁾



PEARL BLACK⁽²⁾



MOONSTONE GREY⁽²⁾



IRON BLUE⁽²⁾



URBAN GREY⁽³⁾

(1) Solid paint.
(2) Metallic paint.
(3) Special paint.
Non-binding photos

HUBCAPS & WHEELS



15" STEEL WHEEL WITH "ELMA" STYLER



15" FLEX WHEEL SORANE

AMBIANCES

ESSENTIAL



MAIN EQUIPMENT

EXTERIOR PRESENTATION

- New grille integrating the new logo and white decorative inserts
- LED signature lighting
- LED automatic daytime running lights
- Body-colored front and rear bumpers
- Black exterior door handles
- Black exterior mirrors
- 15" Elma wheel trims

INTERIOR PRESENTATION

- Fog Grey interior decor elements
- Fog Grey air vent surrounds and white sliders
- Black Titane door panels
- Black interior door handles
- 1/3-2/3 split-folding rear bench seat backrest
- Specific Essential upholstery
- Electric door locking with remote control key

ACTIVE AND PASSIVE SAFETY

- ABS (Anti-lock Braking System) & EBA (Emergency Brake Assist)
- Inter-urban Automatic Emergency Braking System (AEBS)
- ESP (Electronic Stability Control) + HSA (Hill Start Assist)
- E-call emergency call system
- Driver and front passenger deactivatable airbags
- Front thorax and head curtain airbags (front + rear)
- Front and rear lateral seat belts with pre-tensioner and load limiter

- Tire pressure monitoring system
- Hill Start Assist
- Tire inflation kit
- Isofix child seat mounting system for the rear side seats
- 180 kmh / 112 mph Speed Limiter

DRIVING AND CONTROL DEVICES

- Electric power steering
- Stop & Start, ECO mode
- On-board computer: distance traveled, average speed, range, average consumption (including GPL)
- Speed limiter with audible warning / cruise control

VISIBILITY

- Manual interior mirror adjustment

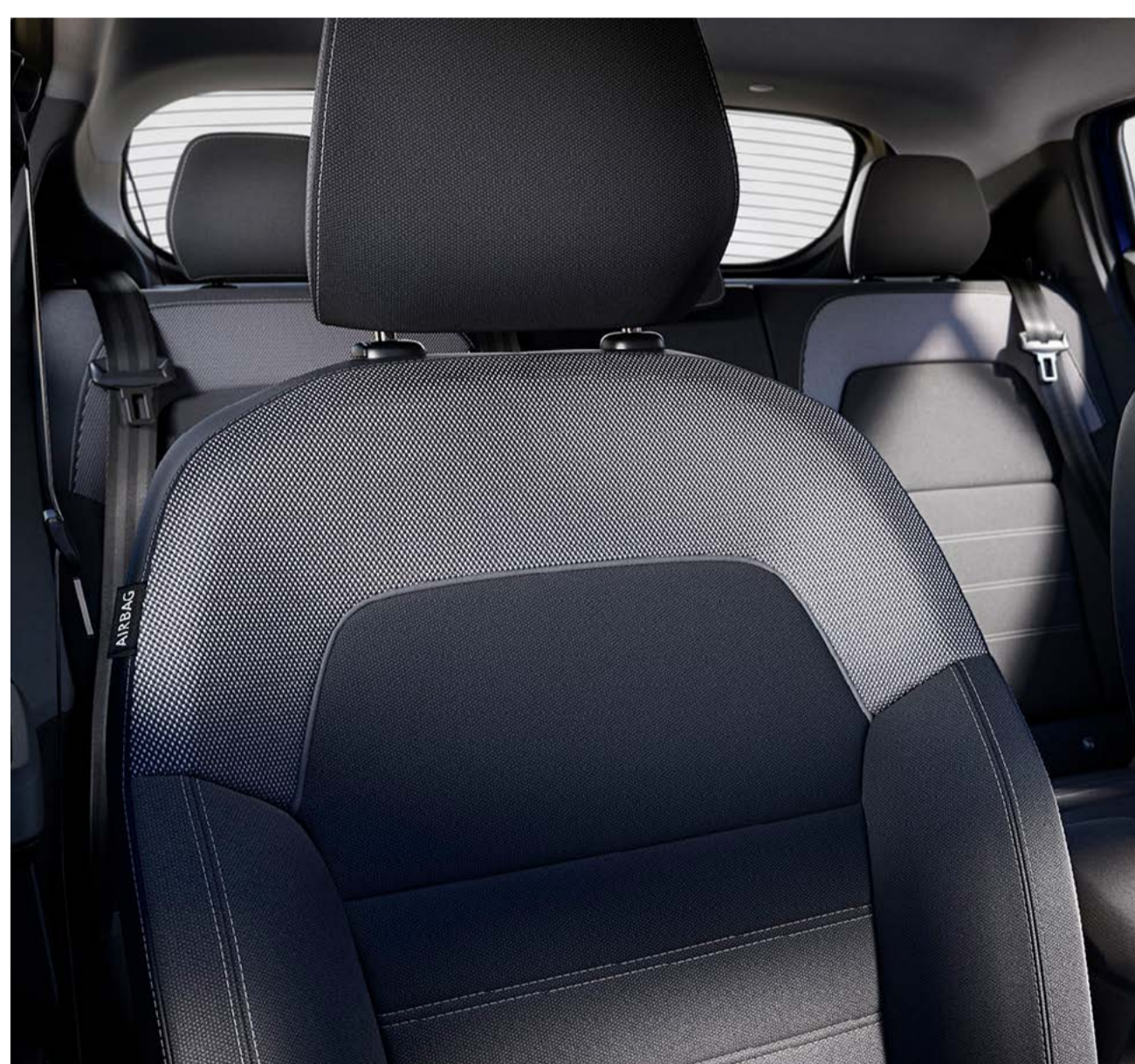
COMFORT

- Electric front windows for driver and passenger
- Height-adjustable steering wheel
- Front ceiling light
- 1 USB socket in the front
- Manual air conditioning

AUDIO

- Audio pre-equipment
- Media Control: DAB radio with steering wheel controls, integrated display in the on-board computer screen, fixed smartphone holder on the dashboard, 4 front speakers, Bluetooth® connection, Dacia Media Control mobile application

EXPRESSION



MAIN EQUIPMENT EXPRESSION = ESSENTIAL+

EXTERIOR FEATURES

- Body-colored mirrors
- 15" Flexwheel Sorane wheel trims

INTERIOR FEATURES

- Fog Grey air vent surrounds
- Fog Grey interior door handles
- Fabric covering on dashboard and front door armrests
- Expression-specific upholstery
- Soft feel steering wheel adjustable for height and depth

DRIVING AND CONTROL DEVICES

- Rear parking sensors and reversing camera

VISIBILITY

- Fog lights
- Electrically adjustable exterior mirrors

COMFORT

- Automatic wipers
- Automatic door locking when driving
- 4 electric windows with driver's side one-touch function
- Front ceiling light
- Keyless entry

AUDIO

- Media Display: Android Auto™ and Apple CarPlay™ compatibility with smartphone mirroring via wifi or USB cable (DAB radio with 8" touchscreen and 4 speakers).

Android Auto™ is a trademark of Google Inc. Apple CarPlay™ is a trademark of Apple Inc.

[BUILD YOURS](#)

[MENU](#)

ACCESSORY PACKS

STYLE PACK (ESSENTIAL & EXPRESSION)

£375 inc. fitting



Roof spoiler



Shark fin aerial



Illuminated door sills

PROTECTION PACK

£285 inc. fitting



Front & rear lower door protectors



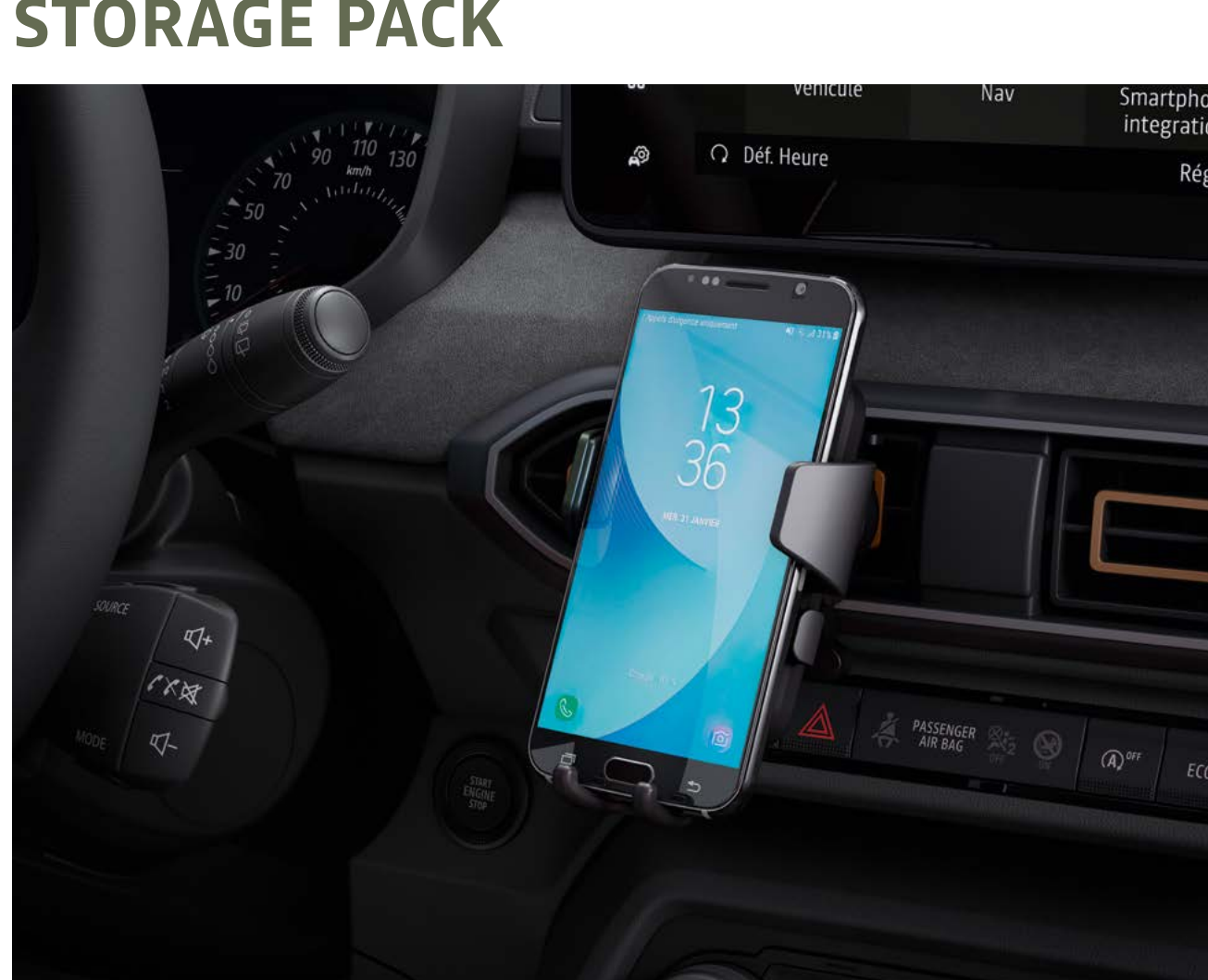
Front & rear mud guards



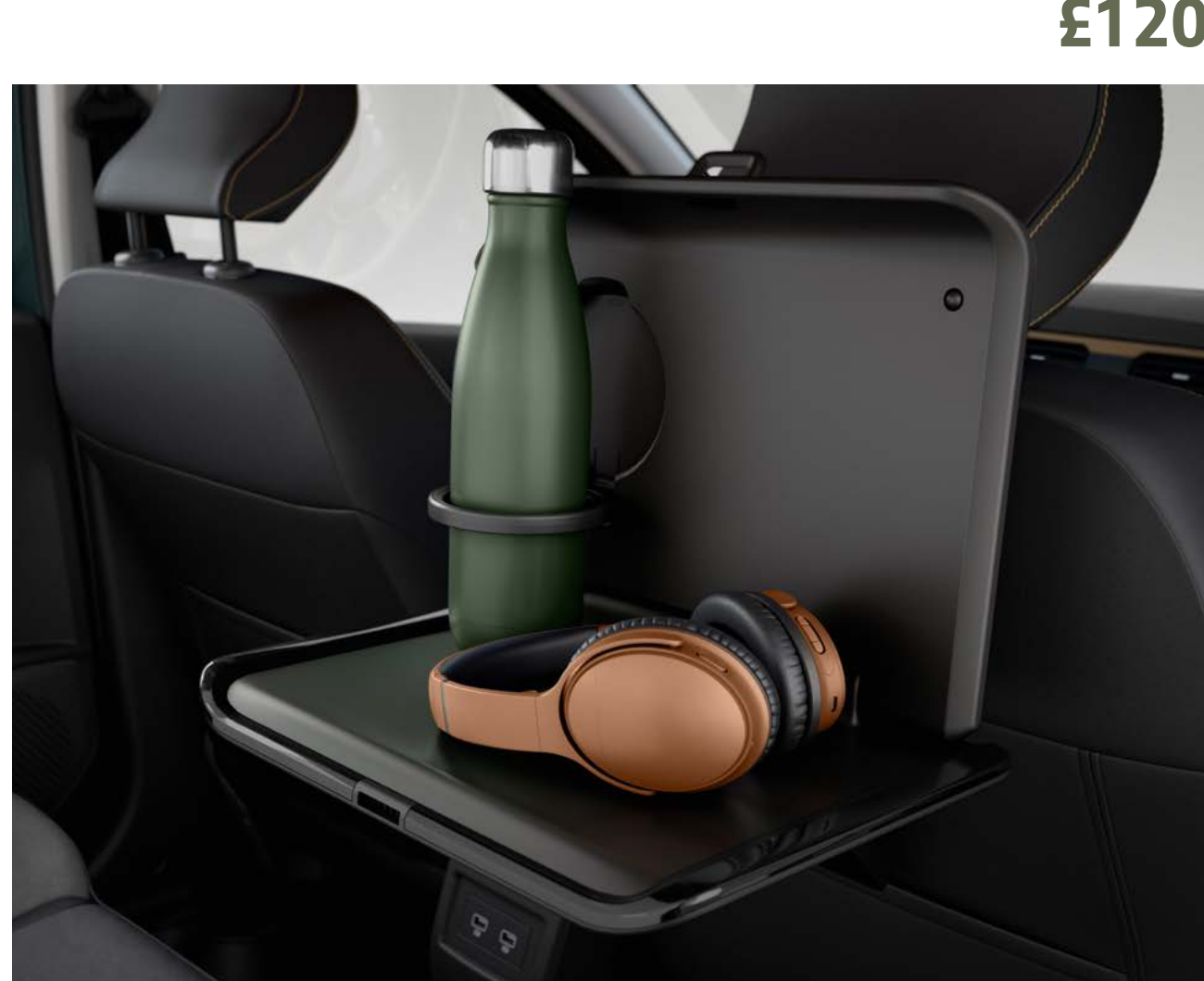
Boot mat

STORAGE PACK

£120



Magnetic phone holder



Rear tray table & fixings

Storage pack + available with 2 x rear tray tables & fixings £222

TOURING PACK

£449



Roof bars



Roof box 400L

DASH CAM PACK

£422 inc. fitting



KENWOOD front dash cam



KENWOOD rear cam

CYCLE PACK

£410



Roof bars



2 x bike carriers for roof

TOW BARS



Swan neck towbar 13 pin

Removable towbar 13 pin

£579 inc. fitting

£687 inc. fitting

PREMIUM DELIVERY PACKS



Premium mats



Safety kit



Rubber boot mat

PREMIUM DELIVERY PACK

£95

Premium mats

Safety kit

PREMIUM DELIVERY PACK+

£160

Premium mats

Safety kit

Rubber boot mat

All accessories purchased prior to vehicle registration come with a 3 year manufacturers warranty
Accessories are fitted post production and may have an impact on WLTP fuel (actual) consumption and CO₂ figures

[DOWNLOAD THE ACCESSORIES BROCHURE](#)

ENGINES

	TCe 90	TCe 100 Bi-fuel
SANDERO ENGINES		
Fiscal rating (CV) (France)	5	5
Fuel	Unleaded fuel (E10)	Unleaded fuel (E10)/LPG
Max. power kW CEE (hp) at an engine speed of (rpm)	67 at 4,600-5,000	LPG mode: 74 at 4,600-5,000 Petrol Mode: 67 at 4,800-5,000
Max. torque Nm CEE (m.kg) at an engine speed of (rpm)	160 at 2,100-3,750	LPG mode: 170 at 2,000-3,500 Petrol Mode: 160 at 2,100-3,750
Gearbox type	Manual 5-speed	Manual 5-speed
Type of Injection	Turbo Indirect injection	Turbo Indirect injection
Capacity (cc)	999	
Number of cylinders/valves	3/12	
Emission control standard	Euro 6 DFull	

CHASSIS AND STEERING

Tyre dimensions	185/65 R15 88H - 195/55 R16 87H
Steering - Turning circle, kerb to kerb (m)	10.53
Front suspension	Pseudo McPherson with lower wishbone, spiral spring suspension with telescopic hydraulic shock absorbers and anti-roll bar
Rear suspension	Semi-rigid axle with anti-roll bar spring suspension and telescopic hydraulic shock absorbers

PERFORMANCE

		LPG	Petrol
Maximum speed (mph)	108	108	108
0-62 mph (s)	12.2	12.2	
Mid-range acceleration: 50 mph - 75 mph (s)	in 4 th 5 th	12 19.1	12 20.2
	11.6 20.1		

FUEL CONSUMPTION AND EMISSIONS⁽¹⁾

Approval protocol	WLTP ⁽²⁾		
Fuel tank capacity (l)	50	Petrol: 50 LPG : 40	
		LPG	Petrol
CO ₂ (g/km) Emissions Best Case - Worst Case	119/120	108/109	122/122
Fuel consumption during combined cycle (mpg) Best Case - Worst Case	44/44	35/35	44/44

VOLUMES AND WEIGHTS

	Essential/Expression	
Minimum kerb weight	1,052/1,072	1,106/1,128
Maximum kerb weight	1,096/1,120	1,134/1,160
Gross train weight (GTW)	2,638/2,662	2,678/2,702
Maximum permissible laden weight (MPLW)	1,538/1,562	1,576/1,602
Max. braked towing weight	1,100/1,100	1,100/1,100

(1) Official consumption and emissions according to applicable regulations. (2) WLTP (*Worldwide Harmonized Light Vehicle Test Procedures*): this new protocol provides results much closer to those found in daily use compared to the NEDC protocol. *Fuel consumption and CO₂ emissions are certified using a standard, regulated method. It is identical for all manufacturers and allows vehicles to be compared.

[BUILD YOURS](#)

[MENU](#)

EQUIPMENT & OPTIONS

	ESSENTIAL	EXPRESSION
EXTERNAL APPEARANCE		
LED brand light	•	•
LED automatic daytime running lights	•	•
Grille	White	White
Dacia rear lettering	White	White
Front/rear bumpers	Body-coloured	Body-coloured
Exterior door handles	Black	Body-coloured
Door mirrors	Black	Body-coloured
15" steel / flexwheel wheels	• / -	- / •
INTERIOR APPEARANCE		
Centre of air vents	Black and white sliders	White and white sliders
Air vent surrounds	Fog Grey	Fog Grey
Interior door handles	Black	Steel Grey
Upholstery on the dashboard and front door armrests/trim on the front door panels	- / -	Fabric / -
1/3- 2/3 split-fold rear bench seatback	•	•
Soft feel steering wheel	-	•
ACTIVE AND PASSIVE SAFETY		
ABS (Anti-lock Braking System) and EBA (Emergency Brake Assist)	•	•
Intercity Automatic Emergency Braking (AEBS)	•	•
ESP (Electronic Stability Program) + HSA (Hill Start Assist)	•	•
Emergency call (E-call)	•	•
Driver's front airbag/passenger's front airbag can be deactivated	• / •	• / •
Shoulder and curtain side airbags	•	•
Rear parking sensors	-	•
Rear camera	-	•
High central armrest with storage	-	•
Tyre pressure detection	•	•
Spare wheel + jack (except LPG)	○	○
Tyre inflation kit	•	•
Isofix child seat mounting system on rear side seats	•	•
180 kmh / 112 mph Speed limiter	•	•

-: not available; •: available as standard; ○: available as an option.
Android Auto™ is a Google Inc. brand. Apple CarPlay™ is an Apple Inc. brand.

EQUIPMENT & OPTIONS (CONTINUE)

	ESSENTIAL	EXPRESSION
DRIVING AND CONTROL INSTRUMENTS		
Electrical power-assisted steering	•	•
Stop & Start	•	•
On-board computer: distance travelled, average speed, range, average consumption (including for LPG)	•	•
Cruise control/Speed limiter with audible warning	•/•	•/•
VISIBILITY		
Front fog lights	-	•
Door mirrors with interior manual adjustment	•	-
Electrically adjustable door mirrors	-	•
COMFORT		
Manual heating and air conditioning system	•	•
Automatic windscreen wipers	-	•
Electric door locking with radio frequency remote control	•	•
Automatic locking of doors when in motion	•	•
Keyless entry	-	•
Front electric driver and passenger windows	•	•
One-touch driver-seat window control (with anti-trapping function), non one-touch passenger side	-	•
Electric rear windows	-	•
Height- and reach-adjustable steering wheel	•/-	•/•
Front ceiling light	•	•
1 USB socket in the front	•	•
1 x 12V socket in the front	•	•
AUDIO		
Media Control: DAB radio with controls on the steering wheel, integrated display on the on-board computer screen, smartphone holder fixed on the dashboard, 2 front speakers, Bluetooth® connection, Dacia Media Control mobile application	•	-
Media Display: Android Auto™ and Apple CarPlay™ compatibility with smartphone replication via USB cable (DAB radio with 8" touch screen and 4 speakers)	-	•

-: not available; •: available as standard; o: available as an option.
 Android Auto™ is a Google Inc. brand. Apple CarPlay™ is an Apple Inc. brand.

BUILD YOURS

MENU

PRICING

	CO ₂ G/KM WLTP	FUEL TYPE	COMBINED FUEL CONSUMPTION (MPG) - WLTP	BHP	BENEFIT IN KIND	VED YEAR 1	BASIC PRICE	VAT 20%	TOTAL RETAIL PRICE	ON THE ROAD PRICE*
ESSENTIAL										
TCe 90	119	Petrol	53.3 (5.3)	90	28%	£210	£10,779.17	£2,155.83	£12,935.00	£13,795
TCe 100 Bi-Fuel MY23	122 (Petrol)/109 (LPG)	Petrol/LPG	52.3 (5.4) & 42.2 (6.7)	100	29%	£200	£10,787.50	£2,157.50	£12,945.00	£13,795
EXPRESSION										
TCe 90 MY23	119	Petrol	53.3 (5.3)	90	28%	£210	£11,612.50	£2,322.50	£13,935.00	£14,795
TCe 100 Bi-Fuel MY23	122 (Petrol)/109 (LPG)	Petrol/LPG	52.3 (5.4) & 42.2 (6.7)	100	29%	£200	£11,620.83	£2,324.17	£13,945.00	£14,795

* "On the Road" price includes delivery to the dealer premises, number plates, 12 months government road fund license (depending on CO₂ emissions) and First Registration Fee at £55.

OPTIONS

	ESSENTIAL	EXPRESSION	BASIC PRICE	VAT 20%	TOTAL RETAIL PRICE
Metallic & opaque paint	○	○	£541.67	£108.33	£650
Spare Wheel (excluding Bi-Fuel)	○	○	£250.00	£50.00	£300

WE'VE GOT YOU COVERED

You might think our shockingly affordable prices mean our cars aren't made to last. Actually, the Dacia range is one tough cookie. To prove it, you get a 3-year* warranty (or 60,000 miles, if you reach that first). This means we will replace any part which has been deemed by a Dacia approved dealer to be defective due to a manufacturing fault, free of charge. To keep the good times rolling, you can extend your warranty up to 7 years for a great price. We also give you a 2-year paintwork and 6-year anti-corrosion warranty, so you can kick back knowing that your Dacia will stay looking good-as-new for years to come.

ROADSIDE ASSISTANCE

Although our cars are built for plain sailing, you can rely on us if you have a breakdown – 24/7 365, wherever you are in the UK or Northern Ireland. This offer also stands for the first 3 years/60,000 miles Δ after you buy your new Dacia.

DACIA CAR INSURANCE 1

Dacia Insurance has been specifically created to provide superb protection for you and your car. Unlike most other UK insurers, in the event of an accident, your Dacia will be repaired at a Dacia Approved Bodyshop using only Dacia approved parts and approved repair methods. This maintains your Dacia's safety rating, protects its resale value and helps to maintain its Dacia warranty \wedge . Dacia Insurance also offers a courtesy car for the duration of a repair at a Dacia Approved Bodyshop.

Dacia car insurance: 0330 102 7795 www.daciacarinsurance.co.uk

Lines are open Mon - Thurs 8.30am - 7pm, Fri 9am - 6pm, Sat 9am - 5pm

SERVICING

Dacia Service Plans are the ultimate hassle free way to take care of your vehicle. Depending on the Service plan you purchase (see opposite grid) your servicing needs are covered and you benefit from;

- Inflation Proof Servicing – You know exactly what you'll pay and there are no hidden costs
- Peace of Mind – No matter where life takes you, we'll be there in over 5000 workshops across Europe
- Dacia Expertise & Quality – Our highly trained technicians know your Dacia inside out

The Dacia Service Plan contains Dacia services in-line with the manufacturer's service schedule, plus comes with a complimentary vehicle health check to ensure your Dacia is in the best condition possible.

SERVICE PLAN \wedge	Monthly payments with Dacia Finance**	Stand alone Contract
3 years / 30,000 miles Service Plan	£14.99 per month	£16.00
3 years / 48,000 miles Service Plan	£25.99 per month	£27.00
4 years / 48,000 miles Service Plan + 1 MOT	£21.99 per month	£22.00

EXTENDED WARRANTY	Total Retail Price
4 years / 60,000 miles \dagger	£165
5 years / 60,000 miles \dagger	£275
6 years / 60,000 miles \dagger	£415
4 years / 100,000 miles \dagger	£490
5 years / 100,000 miles \dagger	£565
6 years / 100,000 miles \dagger	£715

Dacia Extended warranty ends when you reach the age or mileage limit (whichever comes first). For full Warranty Terms and Conditions visit www.dacia.co.uk/warranty-and-assistance/assistance

SERVICE INTERVALS \diamond

Annual servicing **OR** servicing at 18,000 miles (whichever comes first)

Service Schedule \diamond	Year 1	Year 2	Year 3	Year 4	Year 5	Year 6
	Change Cabin Filter	Change Oil + Oil Filter	Change Cabin filter + Brake Fluid	Change Oil + Oil filter + Air filter (36k miles) + Spark Plugs (36k miles)	Change Cabin filter + Coolant (90k miles)	Change Oil + Oil Filter + Brake Fluid + Accessory Belt (90k miles)

*Dacia warranty ends when you reach the age or mileage limit (whichever comes first), from date of registration. Subject to status, terms and conditions apply. For full Dacia Extended Warranty Terms and Conditions visit www.dacia.co.uk/warranty-and-assistance/warranty

Δ Roadside assistance for the first 3 year / 60,000 miles, which ever is reached first, from date of registration. For full Terms and Conditions visit www.dacia.co.uk/warranty-and-assistance/assistance

\dagger Dacia Extended Warranties are available to purchase from first date of registration up to end of manufacturer warranty. For full Dacia Extended Warranty Terms and Conditions visit www.dacia.co.uk/warranty-and-assistance/warranty

The monthly service plan offer is available at point of signing agreement for vehicle purchased under HP and PCP finance agreement provided by Dacia Finance Ltd. (Not available on cash purchases).

\wedge The Service plan offer is available for eligible retail vehicles only and valid at participating dealers only. Vehicles must be ordered between 2 January to 4 April and registered by 30 June 2024. The Dacia Service plan covers the manufacturer's minimum maintenance programme requirements for the term of the Service plan purchased (refer to the Warranty and Service sheet in the Handover Document wallet for details). The plan ends when you reach the age or mileage limit (whichever comes first). Services must be carried out in line with the manufacturer's minimum maintenance programme requirements and servicing intervals within +/- 1 month or 1,000 miles of the manufacturer's minimum maintenance programme requirements and servicing intervals do not cover wear and tear items such as (but not limited to) tyres, wiper blades or brakes. For Service plan full Terms & Conditions visit www.dacia.co.uk/services-and-finance/service-plan. Cannot be part exchanged, refunded or transferred.

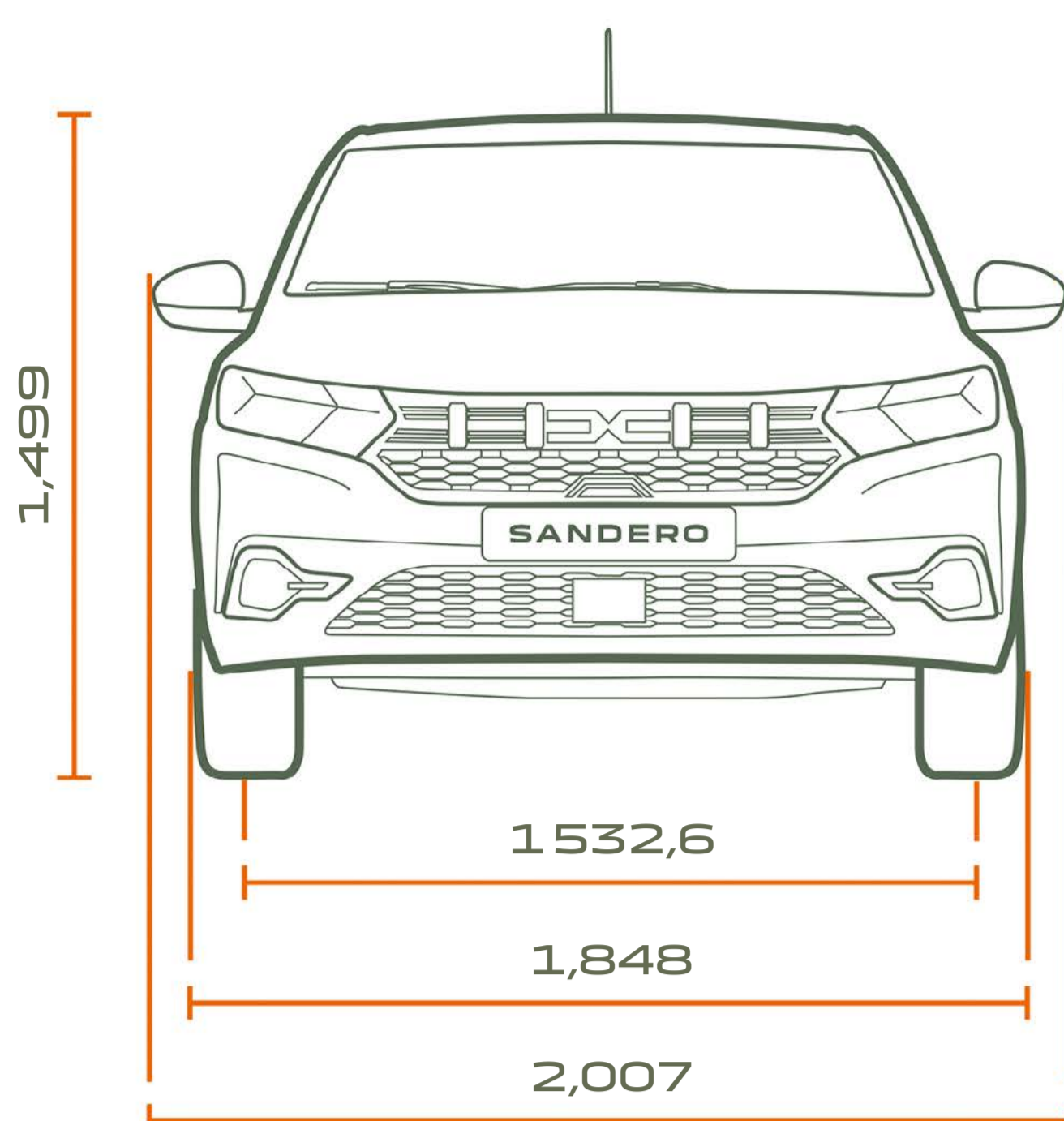
\diamond The service schedule and intervals are specific to the version and derivative of vehicle. Check with your Dacia retailer to confirm the service schedule / intervals as the above is an indicative guideline.

**36 or 48 monthly payments options are only available at point of signing a finance agreement provided by Dacia Finance, Rivers Office Park, Denham Way, Rickmansworth, WD3 9YS. Guarantees and indemnities may be required. (You must be a UK resident (excluding the Channel Islands) and over 18 to apply for finance. Terms and conditions apply.

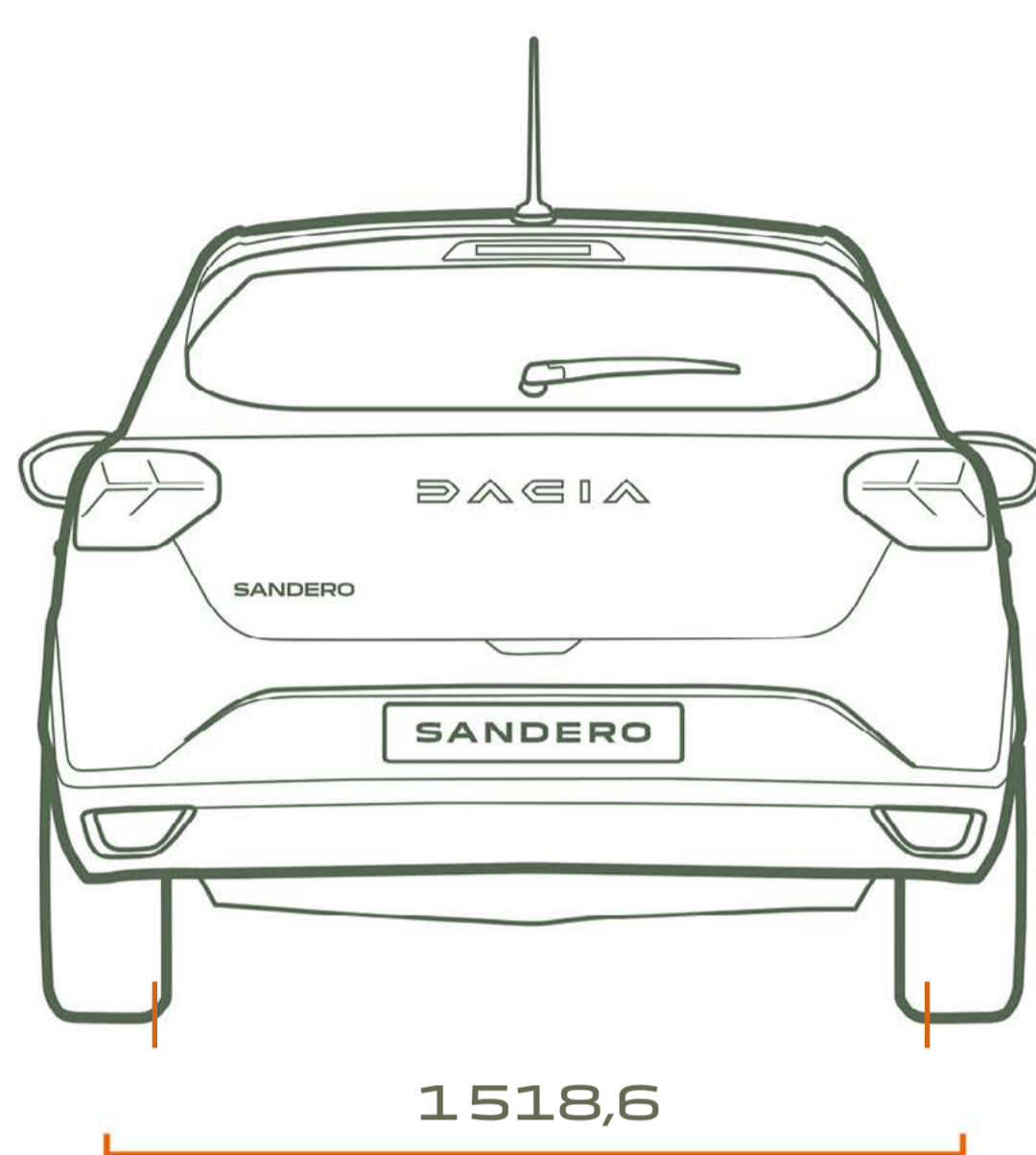
1 Dacia Insurance is arranged and administered by Verex Insurance Services Ltd, which is registered in England and Wales No. 05686831 at Batchworth House, Church Street, Rickmansworth, Herts, WD3 1JE and authorised and regulated by the Financial Conduct Authority, No. 487185. Verex Insurance Services Ltd arranges policies from a panel of insurers, details are available on request.

\wedge If your insurer uses non-approved parts which subsequently fail, they may not be covered under your manufacturer's warranty.

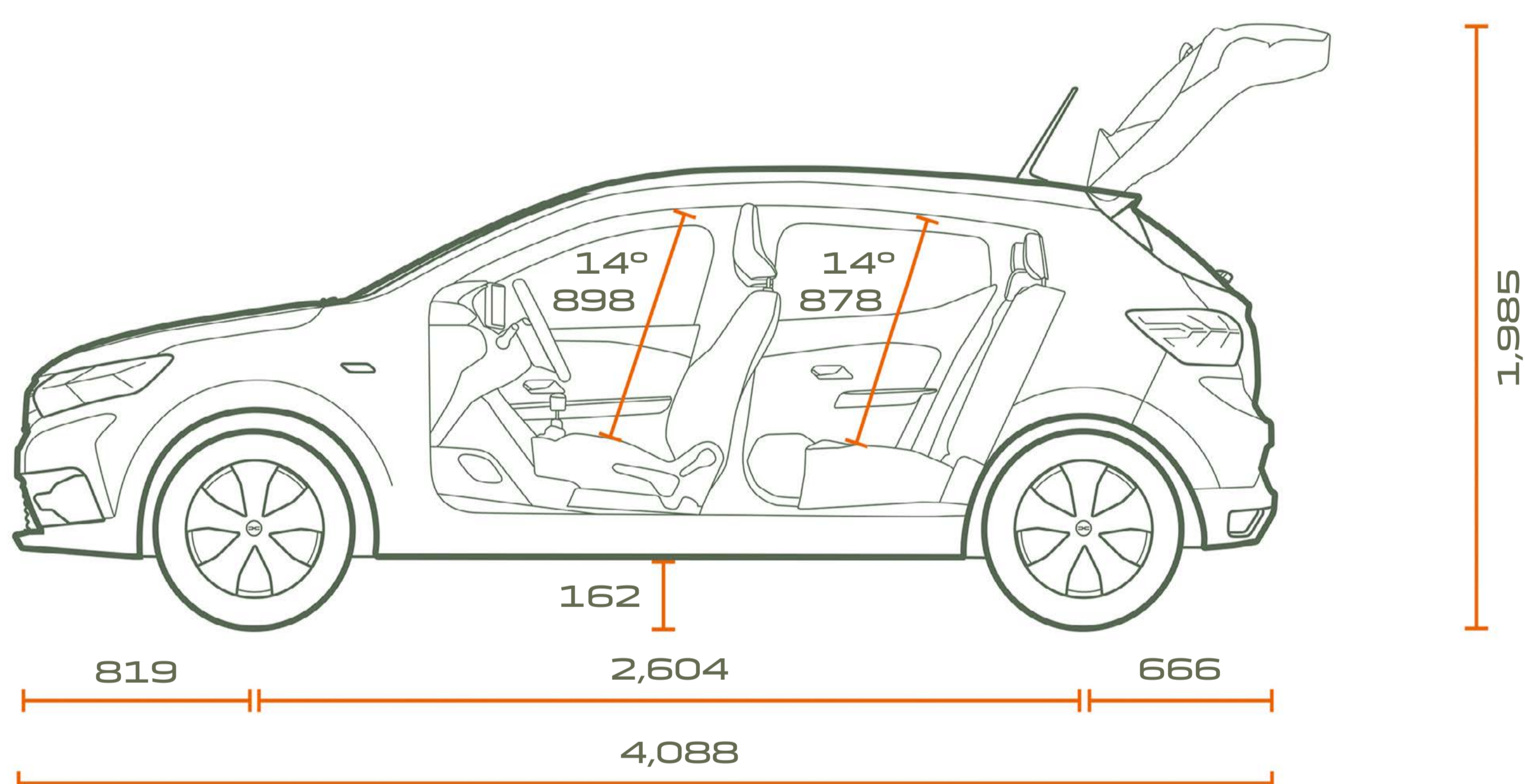
DIMENSIONS



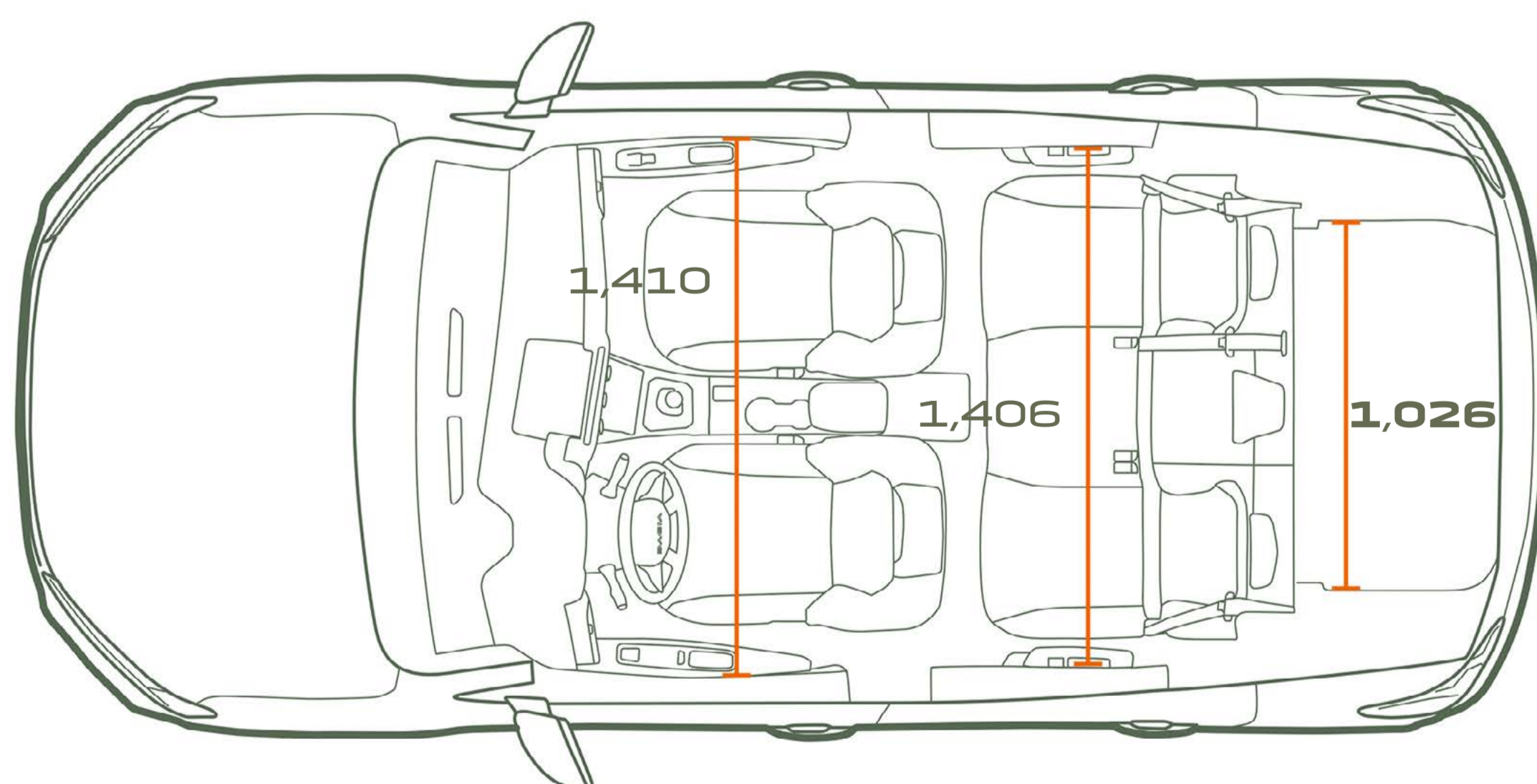
FRONT VIEW



REAR VIEW



SIDE-FACE VIEW



TOP VIEW

BOOT
(IN DM³ - VDA STANDARD)

Minimum boot volume (ISO 3832)	328/410
Maximum boot volume (ISO 3832)	1,108/1,455
Volume under false floor (ISO 3832)	78

AN INCREDIBLE SUCCESS STORY

At Dacia, we offer practical and robust vehicles at the best price. Our models have a distinctive style without unnecessary frills, equipped with the most reliable and approved technologies, all at an unbeatable price. In just fifteen years, we have changed the game and disrupted the automotive market.



TO GO FURTHER

[CLICK AND CONFIGURE](#)

[BOOK A TEST DRIVE](#)

[FIND YOUR DEALERSHIP](#)



Access the DACIA
Facebook account



Access the DACIA
Twitter account



Access the DACIA
Instagram account

The contents of this brochure were accurate and up-to-date at the time of publication. This document was produced based on pre-series or prototype vehicles. As part of its policy of continuous product improvement, Dacia reserves the right, at any time, to make changes to the specifications and vehicles and accessories described and illustrated. These modifications are notified to Dacia dealers as soon as possible. Depending on the country of sale, versions may differ, and some equipment may not be available (as standard, optional, or accessory). Please consult your Dacia representative for the most up-to-date information. Due to the limitations of printing, the colors shown in this document may slightly differ from the actual paint colors or interior trim materials. All rights reserved. Reproduction, in whole or in part, of this brochure in any form or by any means is prohibited without the prior written authorization of Dacia.

Dacia recommends 

PUBLICIS - PHOTO CREDITS: BAM; A. Bernier; Getty Images; Shutterstock; © RENAULT MARKETING 3D-COMMERCE – JANUARY 2024