

# RENAULT MASTER



15th December 2022



## Renault Master, a vehicle for everyone

Renault presents Renault Master and reasserts its expertise in the field. Master is instantly distinguished through a more dynamic front-end design featuring the signature C-shaped lighting. An elevated bonnet line, vertical front grille and new 'Urban Grey' colour complete the revised styling. Master is available in three body heights and four body lengths to adapt to the needs of all users.



## Driving has never been as comfortable

Professionals have tough and busy days; this is why the Renault Master cabin area has been designed to provide the comfort and practicality of a 'Mobile Office'. Packed with clever solutions, such as hidden laptop storage, that help to keep you connected on the go. (standard on Advance specifications).



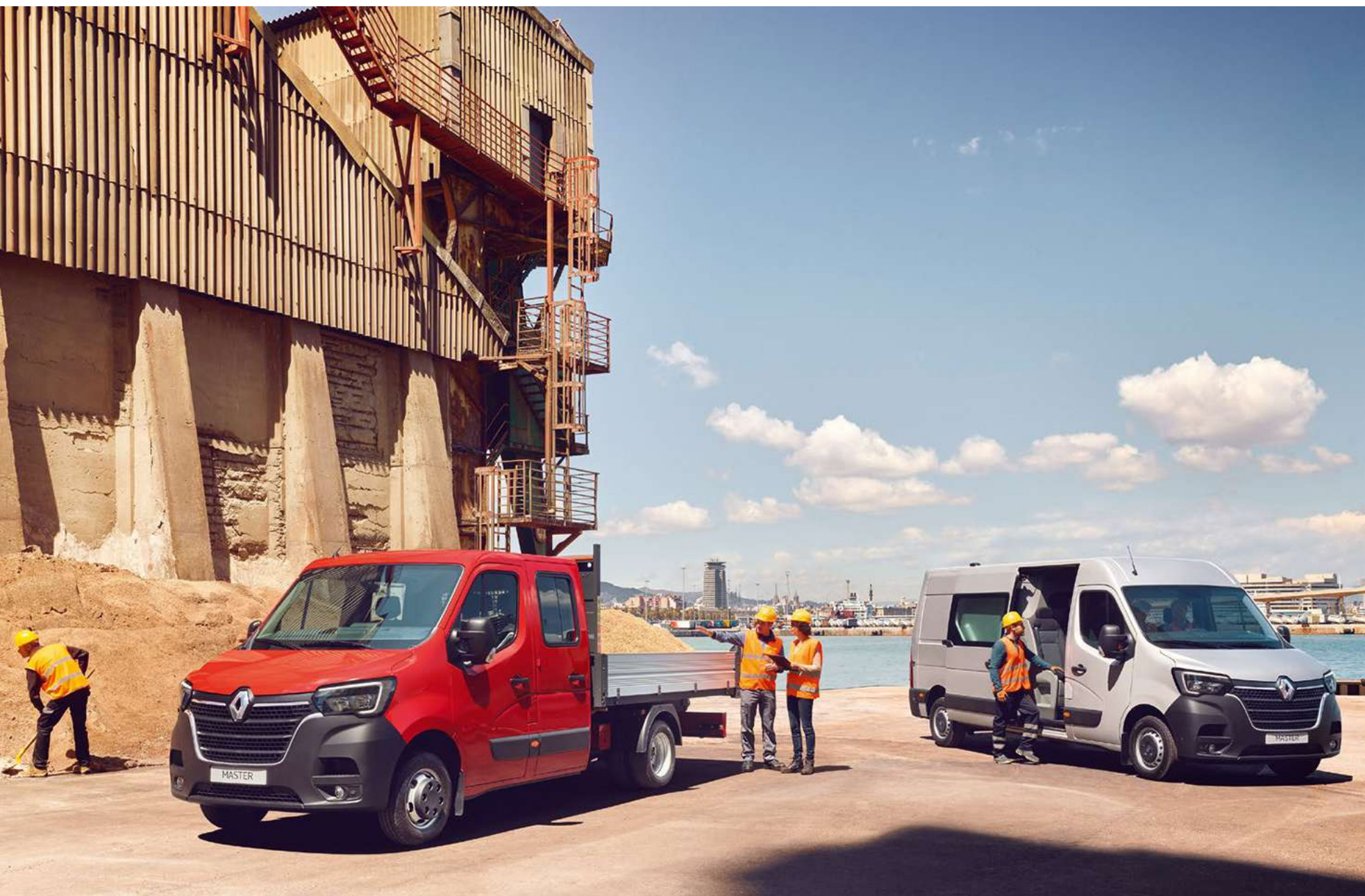


## Easy and secure loading

Master gives priority to practicality and efficiency. The rear doors can be opened 270° (optional), and the very low body sill makes it easier to load cumbersome items. Anchorage points (up to 12) secure the goods, and handles, ideally placed on the sides of the doors, save you effort in loading and unloading from the rear area. With its wide rear and side openings and optimum load volume (from 8 m<sup>3</sup> to 17 m<sup>3</sup>), Master adapts to the needs of all users.

In terms of security, the reinforced locks and 3-button key (standard from Advance trim) ensure that you work with complete peace of mind.





## Our profession, adapting to yours

Master is the tailor-made utility vehicle! A wide-range of body styles are available and include specific versions that meet unique needs: tippers (including the Aluminium Body version) and box vans. These variants are 100% Renault 'off-the-shelf' products produced and delivered as quickly as our standard vehicles.

It is also easy to convert a more bespoke vehicle using either a panel van, chassis (single or double cab) or platform cab with thanks to one of our many Renault approved converters across the UK.

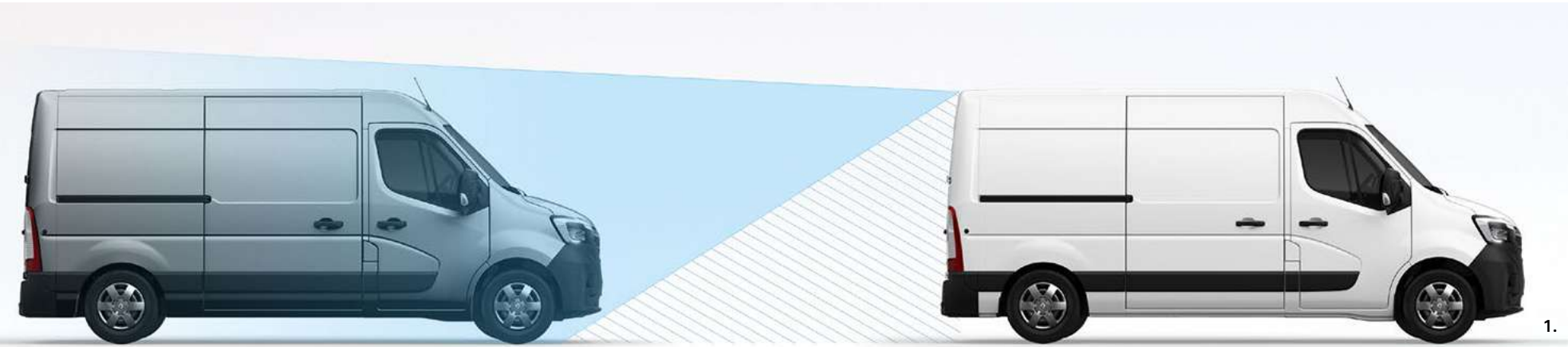
For more details about our range of Off-the-shelf and Tailor Made accredited conversions please see our separate Conversions Range brochure.







1.



1.

# Performance and safety

In terms of driving, the increased power and torque offer greater comfort at low engine speed and more responsiveness at higher speed. The Renault Master engines help you save fuel through controlled consumption.

**Rear View Assist Camera:** The new driving assistance systems do everything to make your life easier. The "Rear View Assist", a Renault innovation, offers excellent rear view at mid and long distance for the best possible anticipation when driving\*.

**Blind Spot Warning:** Master can be fitted with a system that detects the presence of any vehicle in your blind spot. Active between 19 mph and 87 mph, a light signal alerts you immediately in the event of an obstacle and gives you an optimised side view.

**Side Wind Assist:** Master is fitted with a system that helps maintain its trajectory above 43 mph when it is subjected to strong side winds or when a vehicle is overtaking it.

**Automatic Emergency Braking System:** An active safety system able to detect moving or stationary vehicles. Automatic emergency braking is triggered and takes charge of braking if you react with a delay.

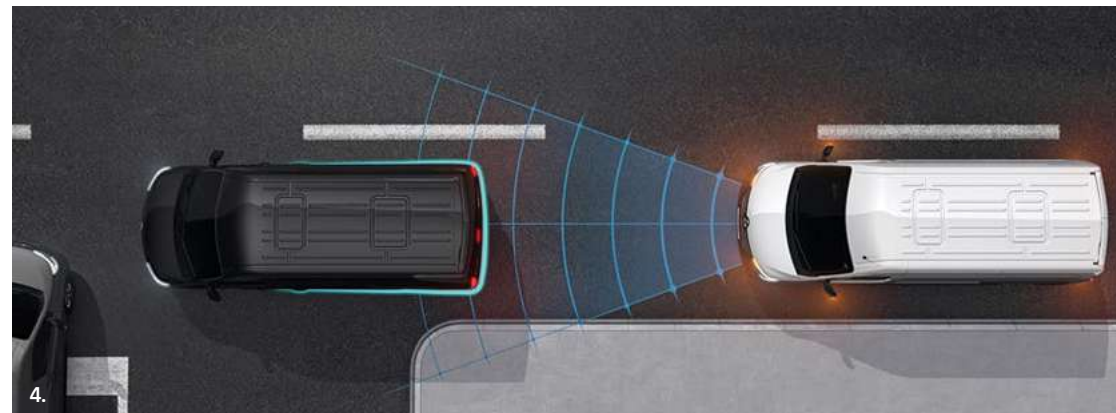
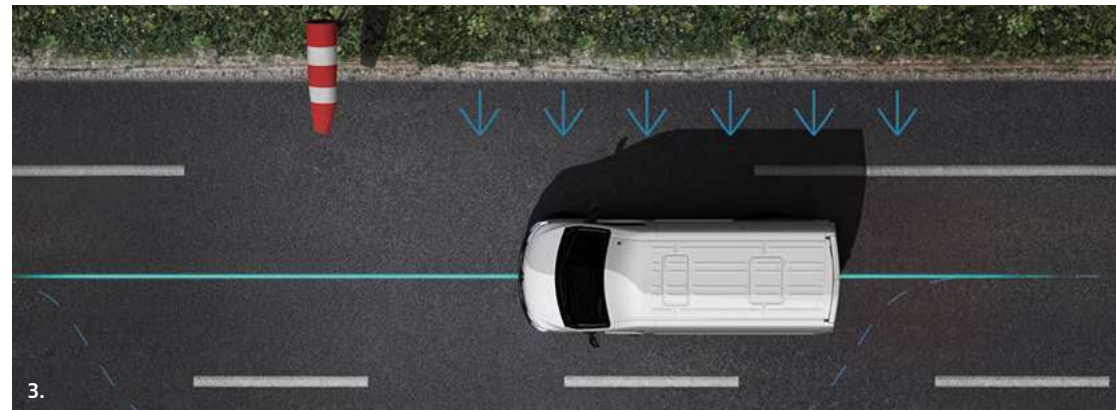
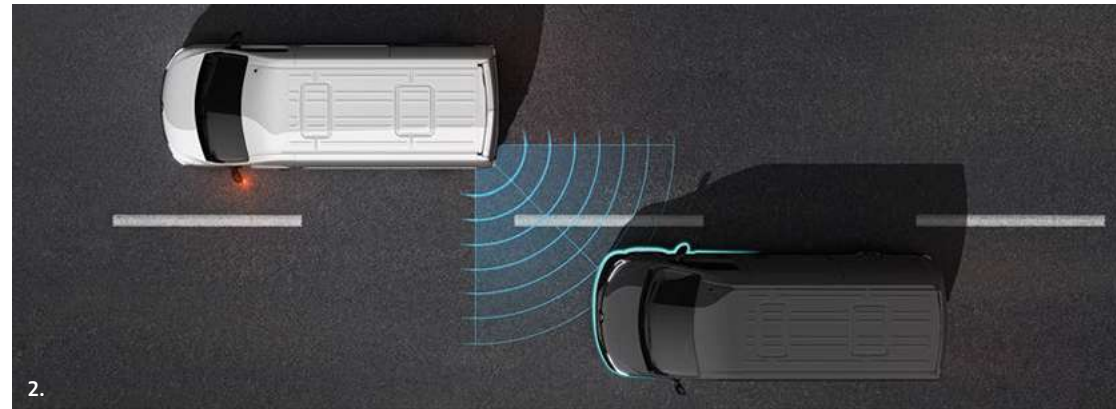
(1) Rear View Assist Camera (optional)

(2) Blind spot warning (optional)

(3) Side wind assist (standard)

(4) Advanced Emergency Braking System (optional)

\* Only when driving forward, does not function when vehicle is reversing.





## Keeping you connected

Stay connected thanks to Master's multimedia systems and Renault Easy Connect services. MediaNav Evolution (Optional) has smartphone integration so you can use your favourite applications on the 7" touchscreen on the dashboard. You also have the R&Go application linking your smartphone or tablet to your vehicle allowing you to control your entire multimedia universe.

**1. With MediaNav Evolution, all the multimedia essentials are at your fingertips.** The new offering has Apple CarPlay™ and Android Auto™ smartphone integration, providing easy access to your applications. On-board touchscreen tablet which gives you access to features such as: navigation with traffic info, hands-free voice calls, digital radio, music streaming, etc.

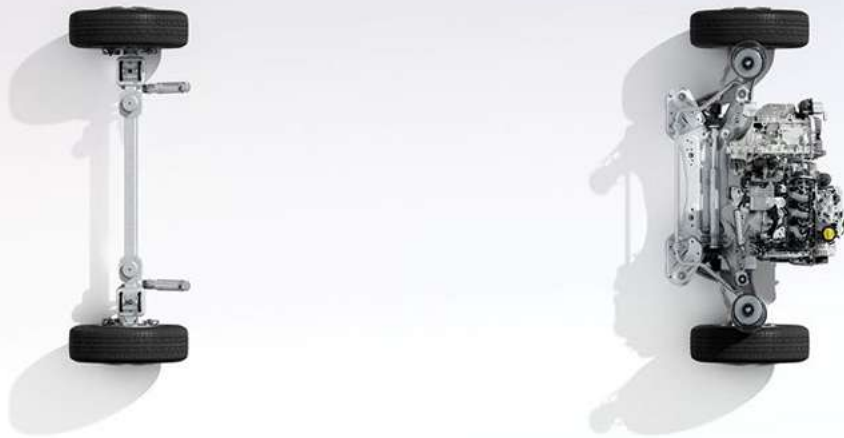
**2. R&Go, integrate your smartphone or your tablet** Listen to your music, manage your contacts, navigate accurately, view fuel consumption data... with the R&Go application, it couldn't be easier, all you need to do is place your smartphone or tablet on the holder and follow the instructions.

Android Auto™ is a trademark of Google Inc.

Apple CarPlay™ is a trademark of Apple Inc.

For compatible devices, please refer to <https://www.renault.co.uk/services/multimedia/bluetooth-compatibility.html>

Connecting a mobile phone to use Bluetooth® should only be done when the vehicle is parked safely. Use of the system should always be in accordance with the rules of The Highway Code. Drivers should only use the system when it is safe to do so. Drivers should be aware of the potential for hands-free technology to distract attention from the road, which could impact on having full control of the vehicle



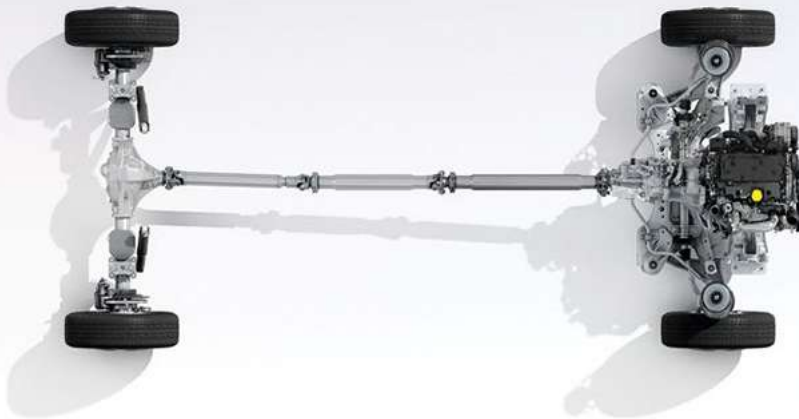
Front-wheel drive

## Two versions available

Does your business involve the transport of heavy, cumbersome and fragile loads? Master has two technical choices to meet your requirements: a front-wheel drive version and a rear-wheel drive version. Which to choose? Each offers unrivalled road handling and has its own advantages. With a loading sill that is 13 mm lower, Master front-wheel drive\* and its 3 different lengths is perfect for payload and road transport. But if you're looking for traction as a priority, choose Master rear-wheel drive, capable of transporting the heaviest loads on the rear axle (in particular with twin wheels) and towing a trailer up to 3.5 t\*\*, on all types of terrain. After all, what better than to have a choice?

\* GVW up to 3.5t.

\*\* Twin wheel rear-wheel drive chassis version.



Rear-wheel drive



## Drive anywhere, in all weather

Do you drive all the time on different types of terrain and sometimes on bad roads? To meet occasional demands for enhanced traction and help you deal with poor driving conditions, Renault has developed new technology: Grip Xtend is the technology for you. Renault has developed this to improve the adaptability of your utility vehicle on difficult roads, such as unpaved or muddy tracks. The onboard computer recovers data from the wheels to optimise the vehicle's performance. When grip is lost, it adapts engine power to each wheel to improve the grip and manoeuvrability of the vehicle.





## Cutting emissions and your costs

Master E-Tech electric has ultra low running costs, zero emissions whilst driving and up to 126 mile (WLTP<sup>\*\*\*</sup>) range. All that while maintaining the same dimensions as its diesel equivalents! The Master E-Tech electric has an impressive load capacity of up to 13m<sup>3</sup><sup>^</sup> and a payload that goes up to 1,420kg, plus all the extra benefits of owning an electric vehicle. Reduced road noise, no congestion charges\* and low running costs from less than 12p per mile\*\* all prove that our Master E-Tech electric will not only be a great purchase for your fleet but also for your pocket!

\*Emission based congestion charges in ULEZ's including London Congestion Charge as of 2020. \*\*Less than 12p per mile calculated by full recharge of 52kWh battery based on 8.5 hours of 28p per kWh (Source: UK Power) giving £14.56 full recharge cost divided by the real world summer range in miles. \*\*\*WLTP figures shown are for comparability purposes; only compare figures with vehicles tested to the same technical procedures. The WLTP electric range shown has been achieved using the new (WLTP) test procedure. Figures obtained after the battery was fully charged. Actual real world driving results may vary depending on factors such as the starting charge of the battery, accessories fitted after registration, weather conditions, driving styles and vehicle load.  
^ Load volume dependent on conversion





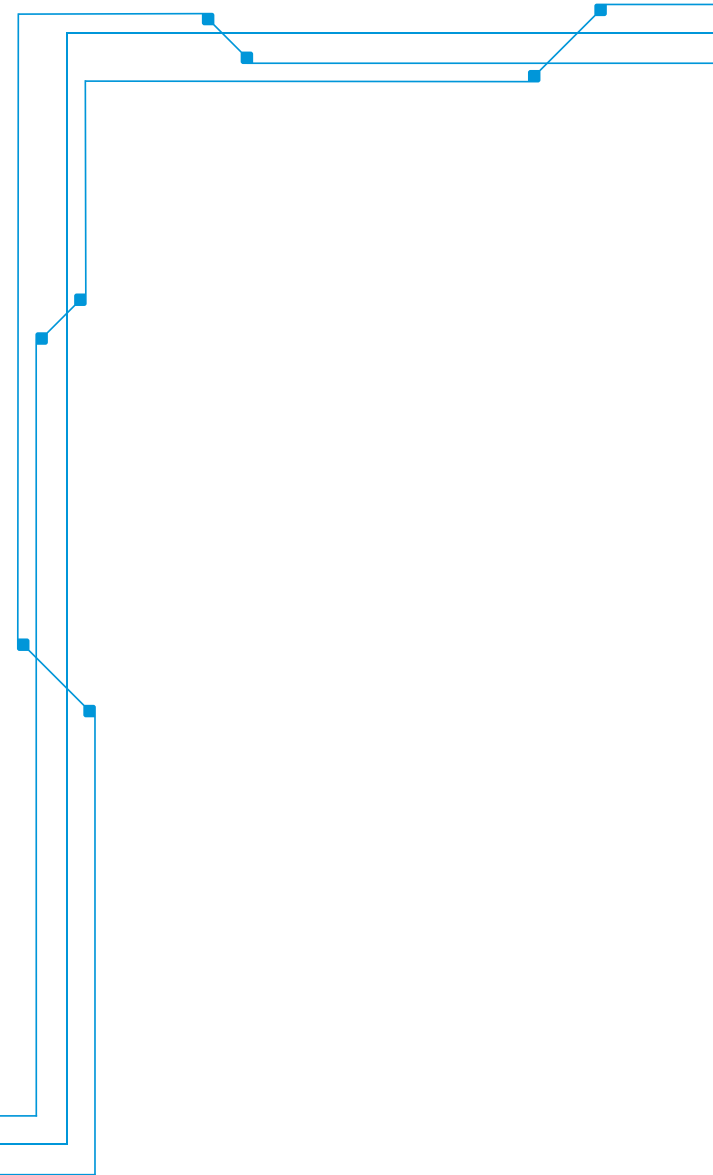
# Renault E-Tech electric

## Always a step ahead

Renault has been pushing the boundaries of innovation from revealing the E-Tech electric concept car in 2008, and since then has been a leader in electric vehicle manufacture in Europe. It has been a priority to fulfil our commitment and continue to develop our technology so that our vehicles stay at the forefront of the electric vehicle market. In 2018, we launched our Master E-Tech electric to bring you the same large van but CO<sub>2</sub> free! The ideal workhorse for emissions-free access to city centers.

## First place on the track - first choice on the road

Our commitment to electric motoring innovation runs deeply in Renault's brand DNA. We were a founding partner in Formula E™, the FIA's newest race series. Winning the team championship in 2014/15 and 2015/16 seasons, along with the driver's championship in 2015/16, proves superior electric technology on the track and as one of Europe's best selling EV brands on the road.



## Easy Electric Life

Electric mobility does not have to be more complicated than fuel-powered vehicles.

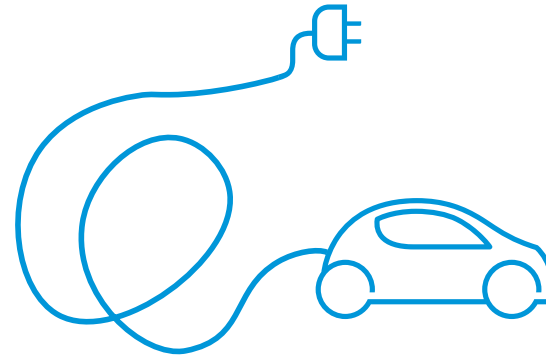
Far from it, electric power comes as second nature in most areas of our lives - have you ever thought about filling up your smartphone with fuel? Your van does not need to be any different from your phone, simply put it on charge.

## Renault PRO+ Electric Vans

Electric isn't just the future, it's right now. That's why our customers have been driving electric vehicles since 2011, and we've since developed the largest model range of electric LCVs in the UK. For you and your business, the result is key. So you'll be pleased to hear that with a Renault PRO+ electric van, you could make significant savings compared to running a diesel or petrol van. Plus, with over 35,000 charging points in the UK, isn't it time for you to join the electric revolution?

## It's in our nature

Through supplying the Eden Project in Cornwall with a fleet of 3 Zoe, 13 Kangoo E-Tech electric and 4 Twizy, we are supporting them in their mission to connect people with each other and the living world, exploring how we can work together towards a better future.





## Your 100% controlled driving range



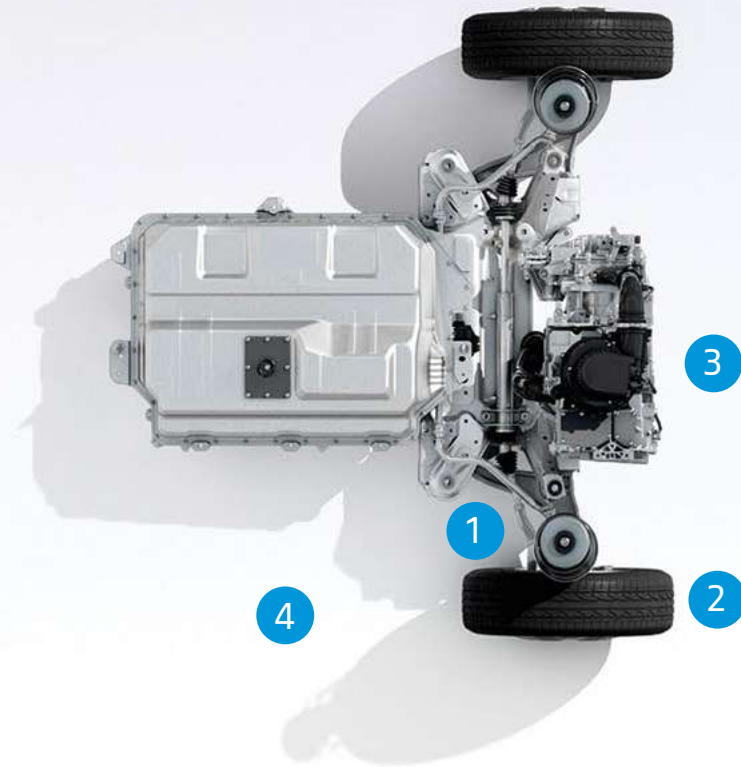
Master E-Tech electric has 126 miles<sup>(1)</sup> of driving range thanks to its lithium-ion E-Tech electric 52 kWh battery. The 57 kW power unit offers a torque of 210 Nm and optimum driving comfort. A range of on-board technologies, such as regenerative braking (the battery recharges when the accelerator pedal is released or when the brake pedal is pressed) or the Eco mode (less abrupt acceleration and maximum speed of 50 mph), help optimise your driving range. You can charge your Master E-Tech electric in 9.5 hours with a 7.4kw wallbox. The recharging flap located on the right-hand side of the vehicle, is easily accessible.

(1) Real-world driving range greater than 100 miles including the most severe use (high load, city centre driving with frequent stops and winter conditions). Actual consumption also depends on the equipment, the driving style of the driver and the elevation profile of the route.



**1. Regenerative braking.** The battery recharges when you take your foot off the accelerator or when you press on the brake pedal.

**2. Low consumption tyres.** Their low rolling resistance contributes to conserving your driving range without degrading your road-holding or braking ability.



**3. Eco mode.** When you activate this, you reduce the power output of the vehicle so that you can travel further (less abrupt acceleration and maximum speed of 50 mph).

**7.4 kW charger.** Recharge the battery in 9.5 hours with a 32 A / 7 kW Wallbox. The recharging flap located on the right-hand side of the cab, is easily accessible.

# Driving range

Master E-Tech electric is now available with the E-Tech electric battery giving a WLTP\* range of 160.52 miles on one charge, meaning range anxiety is a thing of the past. With real life estimates of 126 miles in summer and 100 miles in winter\*\*.

WLTP range* combined cycle (miles)	WLTP range* city cycle (miles)	Summer (+20°C)	Winter** (-5°C)	Cost in pence p/per mile <sup>†</sup>	Cost per full recharge <sup>†</sup>
126	160.52	126	100	Less than 12p	Less than £15

\*What is WLTP and why the real-life range is similar to it?

Worldwide Harmonized Light Vehicles Test Procedures (WLTP), this new homologation protocol gives fuel consumption and driving range results that are much closer to real life conditions figures than the NEDC protocol. While the old NEDC test determined test values based on a theoretical driving profile, the WLTP cycle was developed using real-driving data, gathered from around the world. WLTP therefore better represents everyday driving profiles.

\*\*Why is the range reduced in winter?

Like all batteries, those in E-Tech electric vehicles are less efficient in cold weather than at warmer ambient temperatures. This means that you can expect a reduction in the range of your Master E-Tech electric in the winter. Also, in winter you are more likely to use the heating, which means Master E-Tech electric consumes more energy.

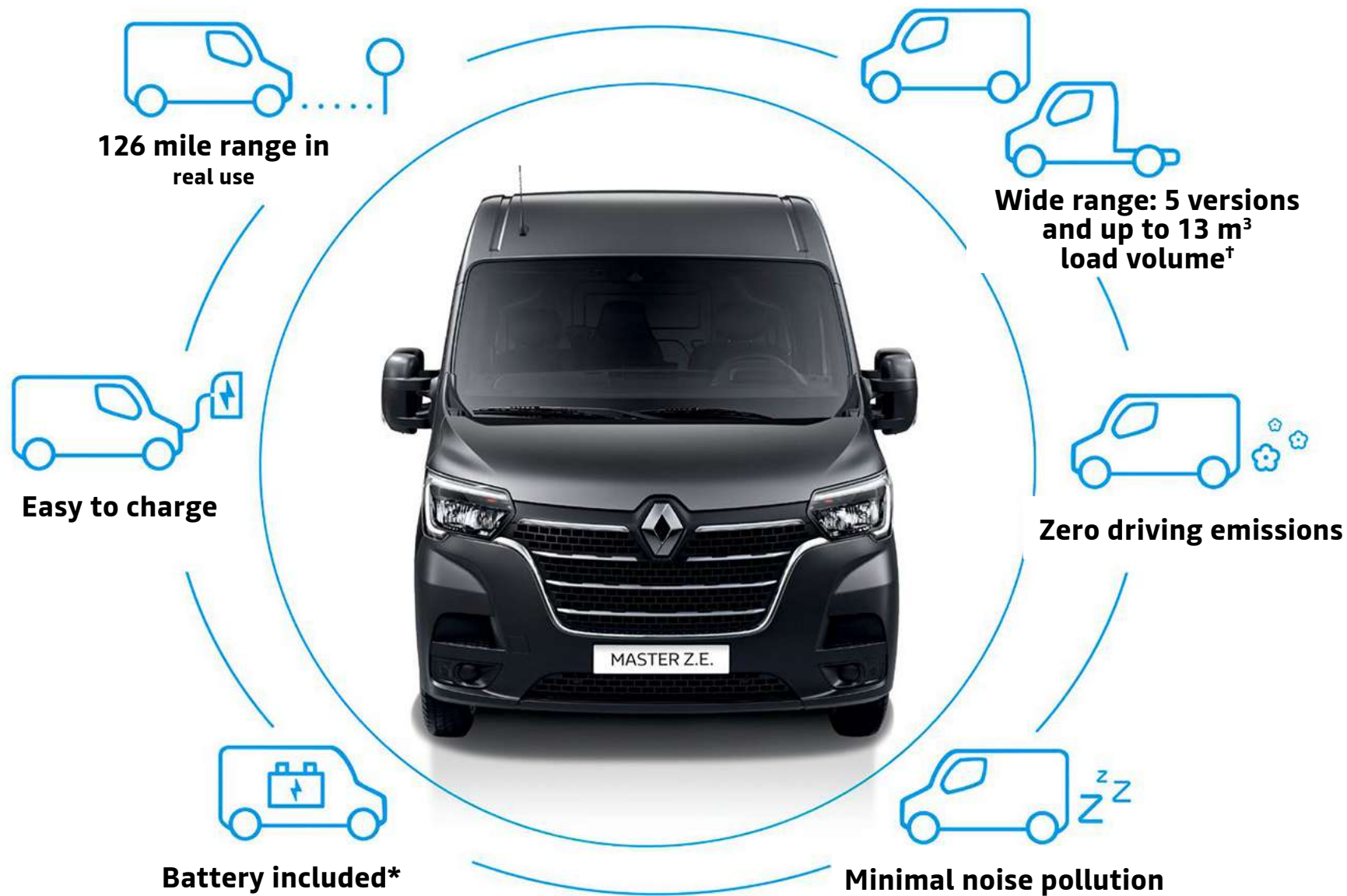
## Charging solutions – options that suit your needs!

We offer you several charging solutions to make sure your vehicle is always ready to go!

Type of charger	Where to use it	Power required	Charging times (0-100%)	Charging times (20-80%)	
Wallbox / Public charging point	Home / Office / On the go	3.7kW/10A	32 hours	16 hours	Leaving the Master to charge overnight on a 7.4kW charger ensures that it will be ready for when you to begin your next day.
	Home / Office / On the go	7.4kW/32A	9 hours 30 minutes	5 hours	
Public charging point	On the go	22kW	3 hours	1 hour 30 minutes	A charging time of 3 hours means your vehicle is ready to go when you are.

<sup>†</sup>Less than £15 full recharge cost based on 8.5 hours of 28p per kWh (Source: UK Power) Full recharge of the 52 kWh battery.

(1) For illustration purposes only, may not reflect real-life journeys.



\*Battery guarantee of 5 years / 62,000 miles, whichever comes first, this includes the battery performance guarantee to at least 70% of its original capacity.  
†Requires conversion

# Colours

Mineral White (S)



Persian Blue (S)



Urban Grey (S)



Star Grey (M)



Tempest (M)



Pearl Black (M)



Carmen Red (S)



	Mineral White (QNG)	Urban Grey (KPW)	Carmen Red (719)	Persian Blue (RNQ)	Star Grey (KNH)	Tempest (J47)	Pearl Black (676)
Start	●	●	●	●	○	○	○
Advance	●	●	●	●	○	○	○

● = Standard (therefore no cost) ○ = Optional

(S) Solid paint (M) Metallic paint

Every effort has been made to ensure that the information, descriptions, and images were correct at the time of publication however images may not always reflect the exact version selected. It should be noted that limitations on screen do not permit the subtle paintwork shades on this page to be shown with absolute accuracy.

# Standard features

---



16" steel wheels



Kaleido



## START

### Technology

- Radio with DAB, Bluetooth and USB
- 6-speed gearbox
- ESC (Electronic Stability Control) with Grip Xtend, Hill Start Assist and Trailer Swing Assist
- Trip computer - multi-functional

### Interior

- Closed glove box
- 2 cup holders on centre console
- Driver's seat - height adjustable and lumbar adjustment (Panel van versions)
- Steering wheel - height adjustment
- Electric front windows
- Passenger bench seat
- Overhead parcel shelf
- Kaleido - dark grey upholstery

### Exterior

- Left side loading door - unglazed
- 80-litre fuel tank
- 22-litre AdBlue tank
- C-Shaped DRL's (Daytime running lights)
- Door mirrors - electric adjustment, heated
- 16" steel wheels with small wheel stylers
- Rear doors - unglazed, 180°
- Spare wheel

### Safety and security

- Alarm - Thatcham approved category 1, volumetric and perimeter
- Side wind assist
- Full-steel bulkhead
- ABS with EBD (Electronic Brake force Distribution)
- Electronic immobiliser
- Remote central locking (foldable 2 button key)
- Airbag - driver

- Seatbelts - 3 point height-adjustable seatbelts with pretensioners
- Seatbelt warning - driver and passenger
- 4 disc brakes
- Automatic headlights and wipers
- Deadlocking
- Rear running board and handles
- Anchorage points : L1 - 6, L2 - 8, L3 - 10, L4 - 12
- Weight allowed per anchorage point: approximately 500kg'

### Crew Van adds

- 2nd row of 4 passenger seats
- Battery interface
- Integrated storage nets and cup holders
- Single passenger seat
- Left and right side loading doors - glazed
- Bulkhead - full-steel with glazing

### RWD additional equipment

- Rear step
- Side marker lights (LWB or MWB with extended overhang only)
- Lane departure warning system (4.5T versions only)
- Engine speed limiter 56mph (to meet legal requirement) - 4.5T version only
- Digital tachograph (4.5T version only) and CAN interface unit



# Standard features

---



16" steel with large wheel stylers



Kaleido



## ADVANCE (in addition to Start)

### Interior

- Manual air conditioning and pollen filter
- Electric front windows
- Driver's seat - fully adjustable suspension type with armrest (panel vans only, not crew vans)
- Interior chrome trim
- Pivoting seatback table with dual split underseat storage compartment

### Exterior

- 16" steel wheels with large wheel stylers
- Chrome trim on front grille

### Safety and Security

- Wide view mirror
- Key - 3 button key
- Rear parking sensors

### Master E-Tech Advance (in addition to Start)

- E-Tech electric charging socket (right-hand side)
- E.V. Voice: emits a distinctive range of sounds signalling that the vehicle is moving
- Engine speed limiter 62 mph
- Standard charging cable 32A (IEC 62196 - Type 2 Mennekes) 6m
- Tyre repair kit (replaces spare wheel)

# Standard features - Conversions

## START



## Chassis Cab and Platform Cab

### Technology

- Radio with DAB, Bluetooth\* and USB
- 6-speed gearbox
- ESC (Electronic Stability Control) with Grip Xtend, Hill Start Assist and Trailer Swing Assist
- Trip computer - multi-functional

### Interior

- Closed glove box
- 2 cup holders on central console
- Driver's seat - height adjustable with lumbar adjustment
- Steering wheel - height adjustment
- Electric front windows
- Passenger bench seat
- Overhead parcel shelf
- Kaleido - dark grey upholstery

### Exterior

- 80-litre fuel tank
- 22-litre AdBlue tank
- C-Shaped DRL's (Daytime running lights)
- Door mirrors - electric adjustment, heated
- 16" steel wheels with small wheel stylers
- Side marker lights wiring (on LL, MLL and LLL versions only)
- Spare wheel

### Safety and security

- Full-steel bulkhead
- ABS with EBD (Electronic Brake force Distribution)
- Automatic headlights and wipers
- Electronic immobiliser
- Remote central locking (foldable 2 button key)
- Airbag - driver
- Bulkhead - full-steel with glazing (full-steel bulkhead on Platform Cab and Luton Low Loader, unglazed)
- 4 disc brakes
- Deadlocking

### RWD adds

- Digital tachograph (4.5T versions only) and CAN interface unit
- Engine speed limiter 56mph (to meet legal requirement) (4.5T version only)

### Double cab adds

- Second row of 4 passenger seats
- Single passenger seat on all Factory Tippers and Twin Rear Wheel Dropsides only\*\*
- Left and right rear lateral doors - glazed

For more details about our range of Off-the-shelf and Tailor Made accredited conversions please see our separate Conversions Range brochure

\*For compatible devices, please refer to <https://renault-connect.renault.co.uk/phone-pairing>

\*\*Passenger bench not available

## CONVERTED PRODUCTS



Dropside



Tipper



Box Van



Luton Low Loader

### Chassis Cab and Platform Cab

#### Dropside adds

- Hot-galvanised steel front side panel and platform
- Anti-slip wooden floor
- Anchorage points in loading area (6 to 8 depending on version)  
Weight allowed per anchorage point: approximately 500kg
- Folding and removable aluminium side and rear panels (400mm high)
- Foldaway step on rear side panel
- Steel cab protecting grid with ladder/long object rack
- Rear corner pillars
- Version available with a tail lift as standard (Del 500kg mesh platform tail lift with 915mm platform and fixed leading edge)
- Additional options available on request via VFS

#### Tipper adds

- Rear tipping "Scattolini" body (45°)
- Hot-galvanised steel loading deck (2 mm thick)
- Aluminium side and rear panels (400 mm high)
- Aluminium cab protecting grid with ladder/long object rack

#### Luton Box Van adds

- 11 mm thick GRP side panels, with fibreglass roof skin on a 65 mm alloy frame
- 15 mm thick wisdeck birch floor
- Luton front providing over-the-cab storage fitted as standard
- Rear doors - roller shutter on alloy frame with rear columns designed to support column mounted tail lift
- Version available with a tail lift as standard (Del 500kg column tail lift with 815mm alloy platform and fixed leading edge one-two button external control)
- Additional options available on request via Truckcraft Bodies

#### Luton Low Loader adds

- 11 mm thick GRP side panels, with fibreglass roof skin on a 65 mm alloy frame
- 15 mm thick wisdeck birch floor
- Luton front providing over-the-cab storage fitted as standard
- Rear doors - 270° opening barn doors
- Additional options available on request via Truckcraft Bodies
- Tyre repair kit (replaces spare wheel)

#### Specific E-Tech Equipment

- E-Tech electric charging socket (right-hand side)
- E.V. Voice: emits a distinctive range of sounds signalling that the vehicle is moving
- Engine speed limiter 62 mph
- Standard charging cable 32A (IEC 62196 - Type 2 Mennekes) 6m
- Tyre repair kit (replaces spare wheel)

For more details about our range of Off-the-shelf and Tailor Made accredited conversions please see our separate Conversions Range brochure

\*For compatible devices, please refer to <https://renault-connect.renault.co.uk/phone-pairing>

\*\*Passenger bench not available



# Upholstery and wheel trims



**Kaleido black and grey fabric**  
Standard on Start and Advance



**Black and dark carbon Kompo fabric**  
Optional (Not available on Advance and RWD)

## Wheels



**16" Steel wheels with small wheel stylers**  
Standard on Start



**16" Steel wheels with large wheel stylers**  
Standard on Advance



**16" Alloy wheels**  
Optional (FWD only)

## Tyres

TYPE OF TYRES	Euro 6d Full emissions standards			Euro 6VI emissions standards				E-Tech electric	
	SUMMER		ALL WEATHER	SUMMER		ALL WEATHER		SUMMER	
GVW/Transmission	2.8 t, 3.3 t and 3.5 t/Front-wheel drive		2.8 t, 3.3 t and 3.5 t/ Front-wheel drive	3.5 t/Front-wheel drive	3.5 t/Single wheel rear-wheel drive	3.5 t and 4.5 t/Twin wheel rear-wheel drive	2.8 t, 3.3 t and 3.5 t/ Front-wheel drive	3.5 t and 4.5 t/Twin wheel rear-wheel drive	3.5 t/Front-wheel drive
Tyre/wheel size	225/65R16			225/65R16	235/65R16	195/75R16	225/65R16	195/75R16	215/65R16
Make	Bridgestone Duravis	Continental Vancontact	Continental Vancontact 4 Seasons	Continental Vancontact	Michelin Agilis	Continental Vancontact	Continental Vancontact 4 Seasons	Continental Vancontact 4 Seasons	Continental Vancontact
Fuel efficiency class	A	A	B	A	B	B	B	E	A
Wet grip class	A	A	A	A	A	A	A	C	A
Exterior noise (dB)	72	72	73	72	72	72	73	72	72

# The range

---

## Closed transport

You have a wide range of different needs, which can be met by the wide variety of interior fittings and length x height combinations of Renault Master, with a loading volume of between 8 and 15 m<sup>3</sup>.



FWD Panel van



Crew van



RWD Panel van



Box van



Luton Low Loader

## Conversions

Renault Master is available in a number of versions, including Tipper, Chassis cab or Platform cabs which are ideal for a number of different conversions.



Tipper



Dropside



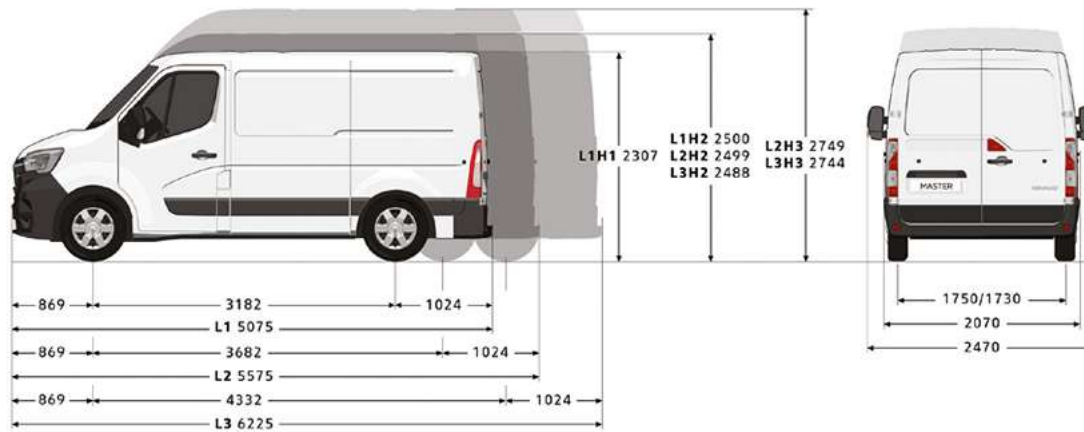
Platform cab



Chassis cab

# Dimensions

## Front-wheel drive panel van



## WEIGHTS AND LOADS Front-wheel drive panel van (kg)

	Effective volume (m <sup>3</sup> )		GVM
			3.5 T Master E-Tech electric
L2H2	10.8	Min. kerb weight <sup>(1)</sup>	2,080
		Max. payload <sup>(2)</sup>	1,420
		Roof payload	200
		Max. load on front axle	1,850
		Max. load on rear axle	2,100
L3H2	13	Min. kerb weight <sup>(1)</sup>	2,192
		Max. payload <sup>(2)</sup>	1,308
		Roof payload	200
		Max. load on front axle	1,850
		Max. load on rear axle	2,100

## WEIGHTS AND DIMENSIONS

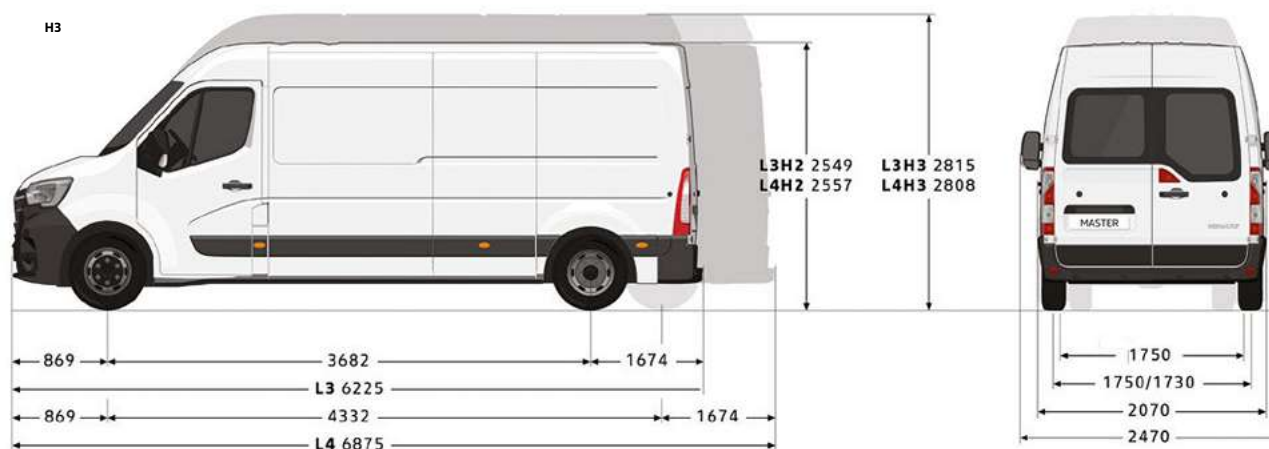
GVW	L1H1		L1H2	L2H2				L2H3	L3H2		L3H3
	Start 2.8t	Advance 2.8t	Start 3.5t	Start 3.3t	Advance 3.3t	Start 3.5t	Advance 3.5t	Start 3.5t	Start 3.5t	Advance 3.5t	Start 3.5t
Effective Volume (m <sup>3</sup> )	8		9	10.8				12.3	13		14.8
Min. kerb weight	1,927	1,952	1,949	2,021	2,046	2,021	2,046	2,046	2,116	2,141	2,123
Max. Payload	837	848	1,551	1,279	12,254	1,479	1,454	1,454	1,384	1,359	1,377
Roof Payload	150		150	200				200	200		200
Max. load on front axle	1,550	1,550	1,850	1,850	1,850	1,850	1,850	1,850	1,850	1,850	1,850
Max. load on rear axle	1,650	1,650	2,100	2,100	2,100	2,100	2,100	2,100	2,100	2,100	2,100
Max. towing weight (braked / unbraked)	2,500/750			2,500/750					2,500/750		
Turning circle, kerb to kerb	12.0 m			13.6 m				13.6 m	15.7 m	13.6 m	15.7 m
Turning circle, wall to wall	12.5 m			14.1 m				14.1 m	16.2 m	14.1 m	16.2 m

## INTERIOR DIMENSIONS Front-wheel drive panel van (mm)

	L1H1	L1H2	L2H2	L2H3	L3H2	L3H3
<b>Loading area</b>						
Effective length	2,583		3,083		3,733	
Effective length at 1.1 m	2,530		3,030		3,680	
Effective width	1,765					
Width between wheel arches	1,380					
Effective height	1,700	1,894		2,144	1,894	2,144
<b>Sliding side door(s)</b>						
Width of sliding side door(s)	1,050		1,270			
Height of sliding side door(s)	1,581	1,780				
<b>Rear door</b>						
Width (169 mm from floor)	1,580					
Entrance height	1,627	1,820				
Loading sill (min./max.)	546/564	544/563	545/562	543/560	543/557	542/555
Ground clearance (min)	182		174	173	172	169

(1) The kerb weight is the weight of the vehicle without the driver and with the fuel tank filled to 90%. This weight may vary according to the equipment and engine (by up to 330 kg). (2) The payload is calculated as the difference between the Gross Vehicle Weight (GVW) and the kerb weight.

## Rear-wheel drive panel van



### WEIGHTS AND LOADS Rear-wheel drive panel van (kg)

	Effective volume (m <sup>3</sup> )		GVW
			<b>3.5t SW</b>
L3H2 Long Overhang	14.9	Min. kerb weight <sup>(1)</sup>	2,343
		Max. payload <sup>(2)</sup>	1,157
		Roof payload	200
L3H3 Long Overhang	17	Min. kerb weight <sup>(1)</sup>	2,390
		Max. payload <sup>(2)</sup>	1,110
		Roof payload	200
L3H2 Long Overhang SW/ L3H3 Long Overhang SW		Max. load on front axle	1,850
		Max. load on rear axle	2,300
		Max. towing weight (braked/unbraked)	2,500/750
		Turning circle, kerb to kerb 14.1 m	13.6-15.7
		Turning circle, wall to wall 13.6 m	14.1-16.2

(1) The kerb weight is the weight of the vehicle without the driver and with the fuel tank filled to 90%. This weight is given for the basic version and may vary according to the equipment and engine (by up to 330kg). (2) The payload is calculated as the difference between the Gross Vehicle Weight (GVW) and the kerb weight.

### INTERIOR DIMENSIONS Rear-wheel drive panel van (mm)

	L3H2 Long overhang SW	L3H2 Long overhang SW
<b>Loading area</b>		
Effective length	4,383	
Effective length at 1.1 m	4,330	
Effective width	1,765	
Width between wheel arches	1,380	1,380
Effective height	1,798	2,048
<b>Sliding side door(s)</b>		
Width of sliding side door(s)	1,270	
Height of sliding side door(s)	1,684	
<b>Rear door</b>		
Width (169 mm from floor)	1,580	
Entrance height	1,724	
Loading sill (min./max.)	682/704	680/702
Ground clearance (min)	167	

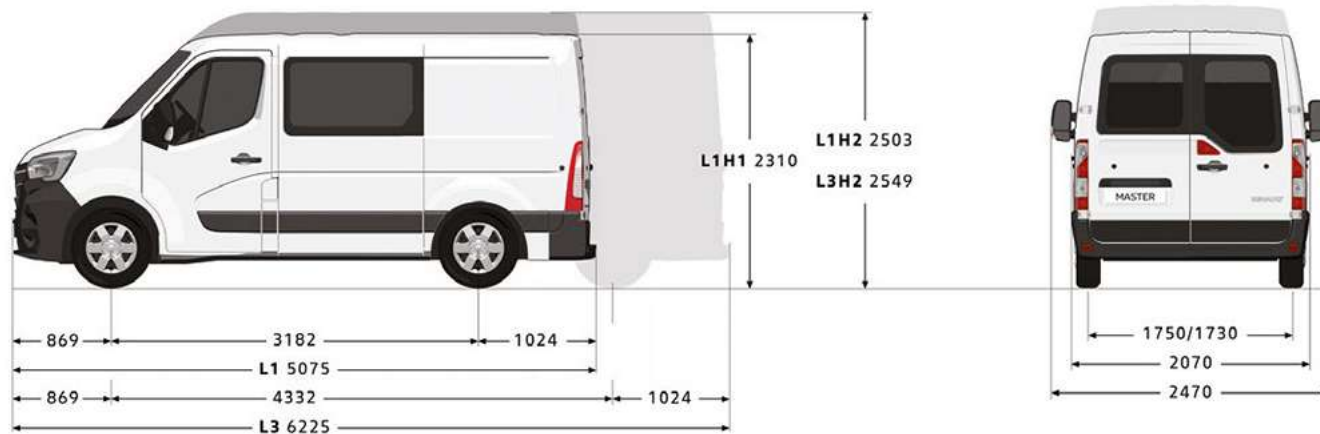
SW: single wheels. TW: twin wheels.



# Dimensions

## Crew van

### FRONT-WHEEL DRIVE



#### WEIGHTS AND LOADS Crew van (kg)

	Max. payload	Roof payload	Effective volume m <sup>3</sup>
<b>GVW</b>		<b>3.5t</b>	
L3H2 FWD Start	1,180	200	9
L3H2 FWD Advance	1,155		9

SW: single wheels. TW: twin wheels.

#### INTERIOR DIMENSIONS Crew van (mm)

	Front-wheel drive
	L3H2
<b>Loading area</b>	
Effective length at 0.4 m	2,825
Effective length at 1 m	2,640
Effective width	1,765
Width between wheel arches	1,380
Effective height	1,798
<b>Sliding side door(s)</b>	
Width of sliding side door(s)	1,270

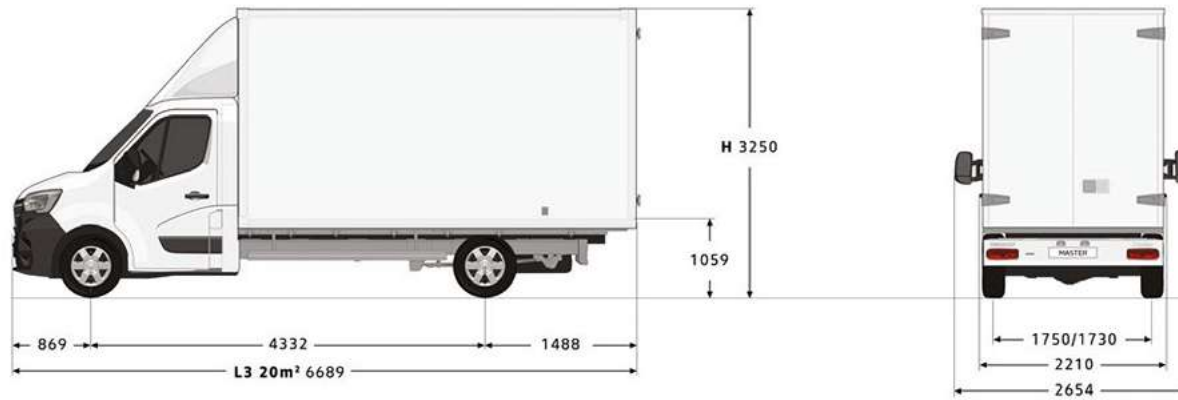
#### INTERIOR DIMENSIONS Crew van (mm) (continued)

	Front-wheel drive
	L3H2
Height of sliding side door(s)	1,684
<b>Rear door</b>	
Width at the lower part	1,580
Height	1,724
Loading sill (min./max.)	543/557
Ground clearance	172

SW: single wheels. TW: twin wheels.

# Luton Box Van

FRONT-WHEEL DRIVE



## WEIGHTS AND LOADS Box van (kg)

	Max. payload (kg)	Effective volume m <sup>3</sup>
<b>GVW</b>	<b>3.5 t</b>	
L3 Front-wheel drive 20 m <sup>3</sup>	1,204	20.1

SW: single wheels.

## INTERIOR DIMENSIONS Box van (mm) (cont.)

	Front wheel drive box van 20 m <sup>3</sup> on L3
<b>Box van module</b>	
Effective length	4,170
Effective width	2,220
Effective height	2,200

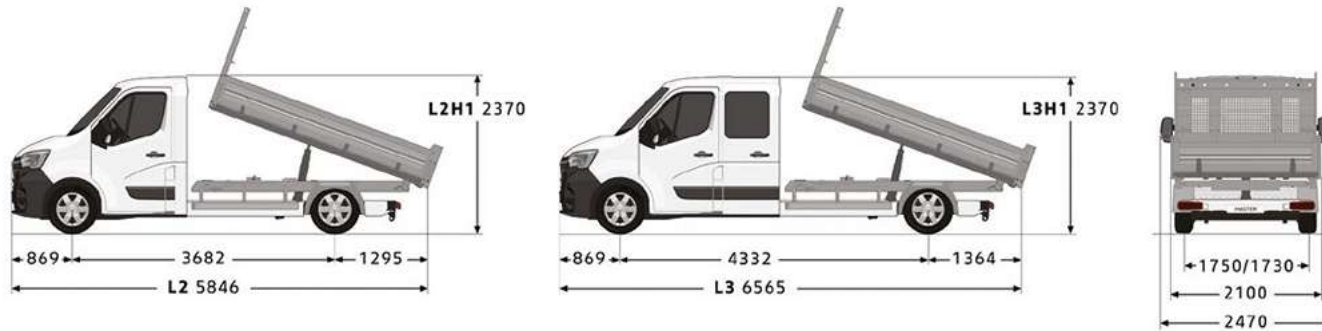
## INTERIOR DIMENSIONS Box van (mm)

	Front wheel drive box van 20 m <sup>3</sup> on L3 (19.6 m <sup>3</sup> )
<b>Rear door</b>	
Width	2,105
Height	2,165

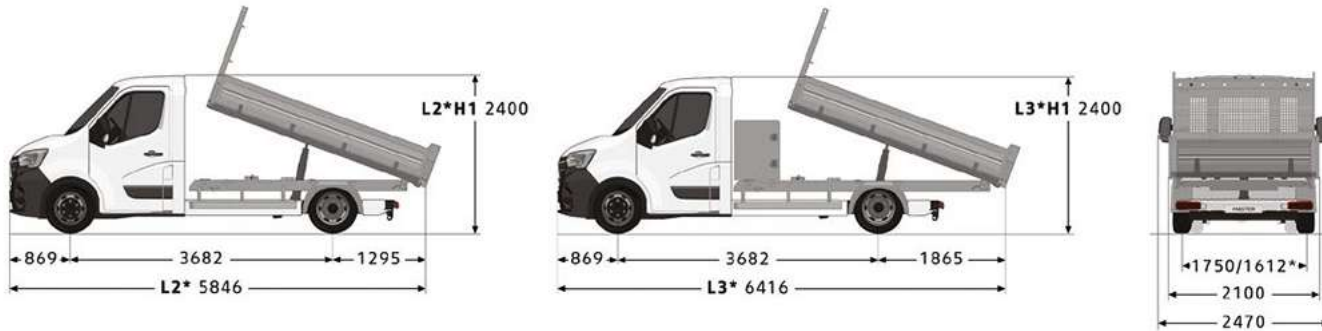
# Dimensions

## Tipper

### FRONT-WHEEL DRIVE



### REAR-WHEEL DRIVE



\* Twin wheels.

### WEIGHTS AND LOADS Tipper (kg)

	Single cab	Double cab
	Max. payload 3.5t	
GVW		
L2 Front-wheel drive with 3.3 m Tipper	1,217	-
L2 SW Rear-wheel drive with 3.3 m Tipper	1,104	-
L2 TW Rear-wheel drive with 3.3 m Tipper	934	-
L3 TW Rear-wheel drive with 3.2 m Tipper + boot	820	-
Double cab L3 SW Rear-wheel drive with 3.3 m Tipper	-	890
Double cab L2 Long Overhang TW Rear-wheel drive with 3.2 m Tipper	-	825*

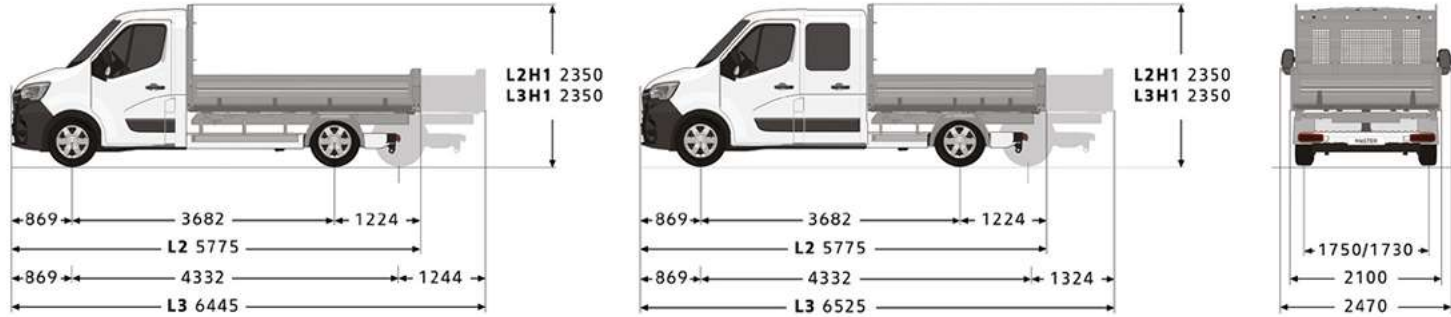
### DIMENSIONS Tipper (mm)

	Single cab Tipper				Double cab Tipper	
	3.3 m		3.2 m + boot		3.3 m	
	L2		L3		L3	
	Front-wheel drive	Rear-wheel drive			Rear-wheel drive	
	SW	SW	TW	TW	SW	TW
Effective length		3,205		3,105	3,205	3,105
Effective width		2,040				
Side panel height		400				
Euro pallet capacity		6		5	6	5
Max. rear loading sill		1,020		1,080		1,080

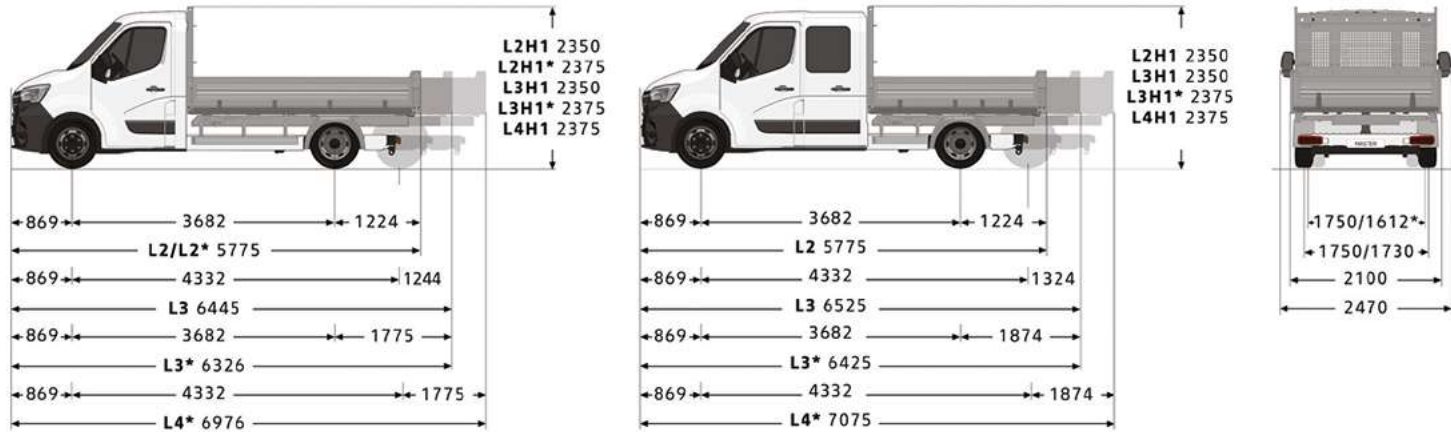
Side panel thickness: 20 mm. Flatbed thickness: 2.5 mm. SW: single wheels. TW: twin wheels.

# Dropside

## FRONT-WHEEL DRIVE



## REAR-WHEEL DRIVE



\* Twin wheels.

### WEIGHTS AND LOADS Dropside (kg)

	Single cab	Double cab
	Max. payload 3.5t	
GVW		
L2 FWD	1,399	-
L3 FWD	1,333	1,206
L3 SW RWD	1,190	-

SW: single wheels. TW: twin wheels.

### DIMENSIONS Dropside (mm)

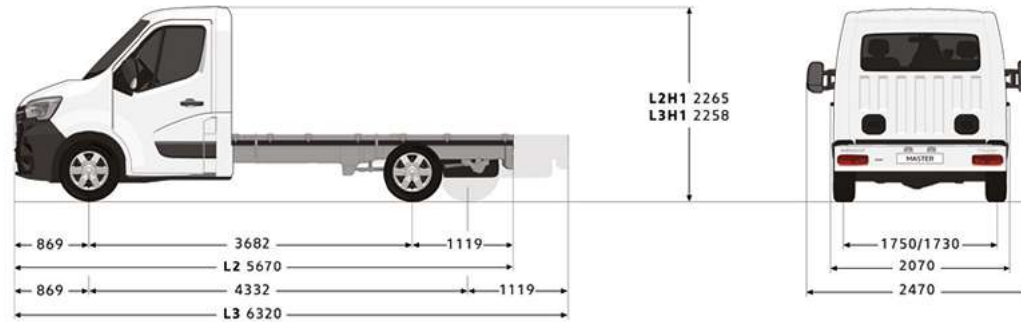
	Single cab		Double cab
	L2	L3	L3
	Front-wheel drive	Front-wheel drive	Front-wheel drive
Effective length	3,170	3,840	3,170
Effective width	2,040		
Side panel height	400		
Euro pallet capacity	5	7	5

Side panel thickness: 20 mm. Flatbed thickness: 3 mm. SW: singles wheels. TW: twin wheels.

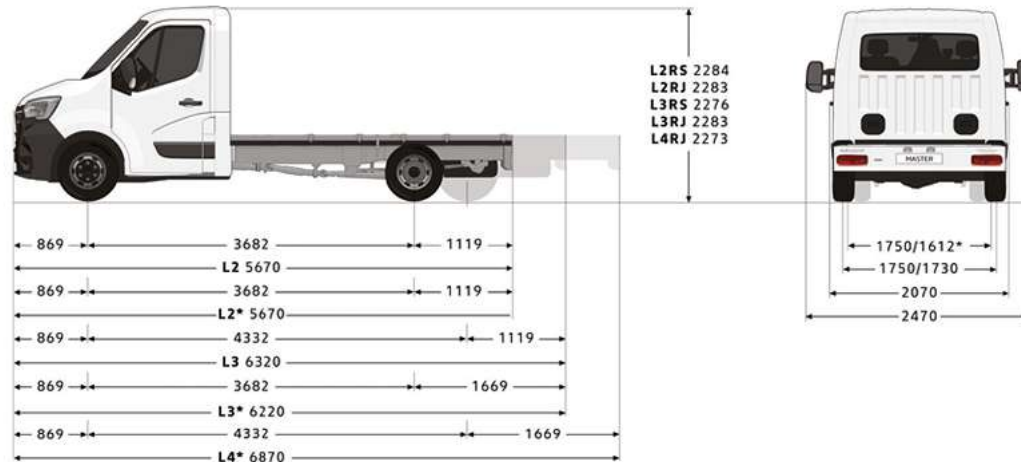
# Dimensions

## Chassis single cab

### FRONT-WHEEL DRIVE



### REAR-WHEEL DRIVE



\* Twin wheels.

### WEIGHTS AND LOADS Chassis single cab (kg)

	Front-wheel drive		Rear-wheel drive		
	L2	L3	L2 SW	L3 SW	L2 Long overhang TW
<b>GVW</b>	<b>3.5 t</b>				
Min. kerb weight diesel/electric	1,786/1,880	1,807/1,900	1,899	1,950	2,090
Max. payload diesel/electric	1,714/1,620	1,693/1,600	1,601	1,550	1,410
Max. load on front axle diesel/electric	1,850/TBC				
Max. load on rear axle diesel/electric	2,100/TBC		2,300	2,300	2,620
Max. towing weight braked/unbraked/electric	2,500/750/0			2,500/750	3,000/750
Turning circle, kerb to kerb	13.6 m	15.7 m	13.6 m		
Turning circle, wall to wall	14.1 m	16.2 m	14.1 m		

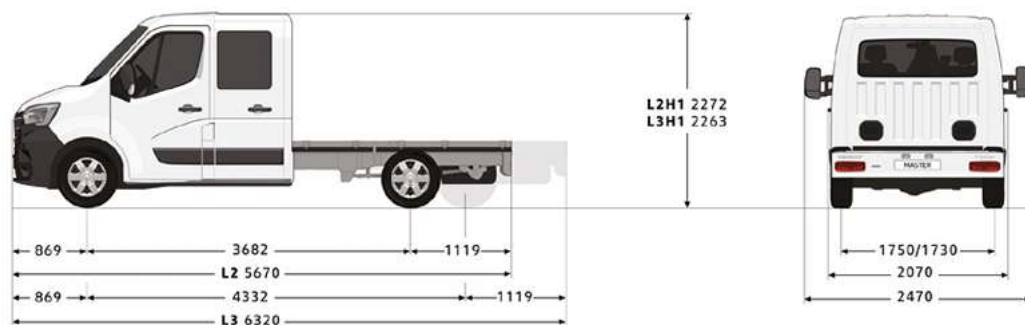
### DIMENSIONS Chassis single cab (mm)

	Front-wheel drive		Rear-wheel drive		
	L2	L3	L2 SW	L2 TW	L3 SW
Maximum body length	5,670	6,320	5,670	5,670	6,320
Effective body length (min./max.)	3,184/ 3,466	3,834/ 4,840	3,184/ 4,295	3,184/ 4,276	3,834/ 4,926
Side member sill height	735/ 740	736/ 741	771/ 774	784/ 787	771/ 775
Width with extended door mirrors	2,654				
Max. effective body width (standard/extended repeaters)	2,170/2,350				
Ground clearance (min)	166				

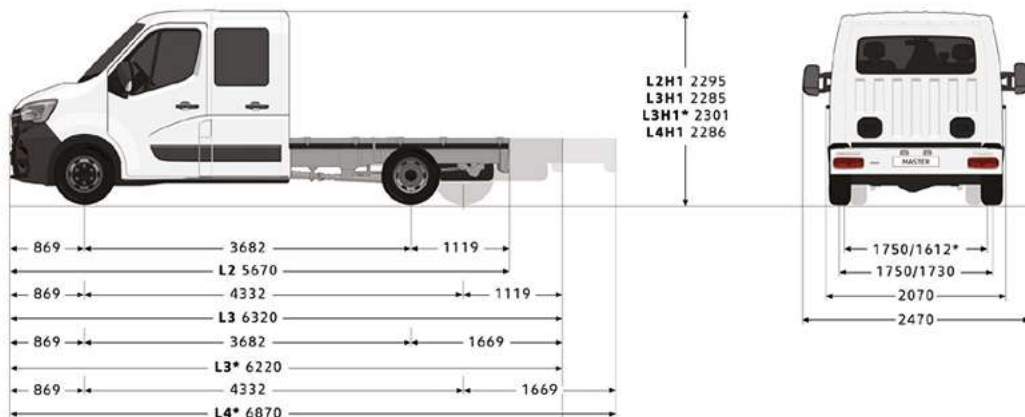
(1) The kerb weight is the weight of the vehicle without the driver and with the fuel tank filled to 90%. This weight is given for the basic version and may vary according to the equipment and engine (by up to 330 kg). (2) The payload is calculated as the difference between the Gross Vehicle Weight (GVW) and the kerb weight. SW: single wheels. TW: twin wheels.

## Chassis double cab

### FRONT-WHEEL DRIVE



### REAR-WHEEL DRIVE



\* Twin wheels.

### WEIGHTS AND LOADS Chassis double cab (kg)

	Front-wheel drive		Rear-wheel drive	
	L2	L3	L3	L3 Long overhang
<b>GVW</b>	<b>3.5 t</b>			
Min. kerb weight <sup>(1)</sup>	1,971	1,979	2,245	2,294
Max. payload <sup>(2)</sup>	1,529	1,521	1,255	1,206
Max. load on front axle	1,850			
Max. load on rear axle	2,100		2,620	2,620
Max. towing weight braked/unbraked	2,500/750		3,000/750	
Turning circle, kerb to kerb	13.6 m	15.7 m	13.6 m	15.7 m
Turning circle, wall to wall	14.1 m	16.2 m	14.1 m	16.2 m

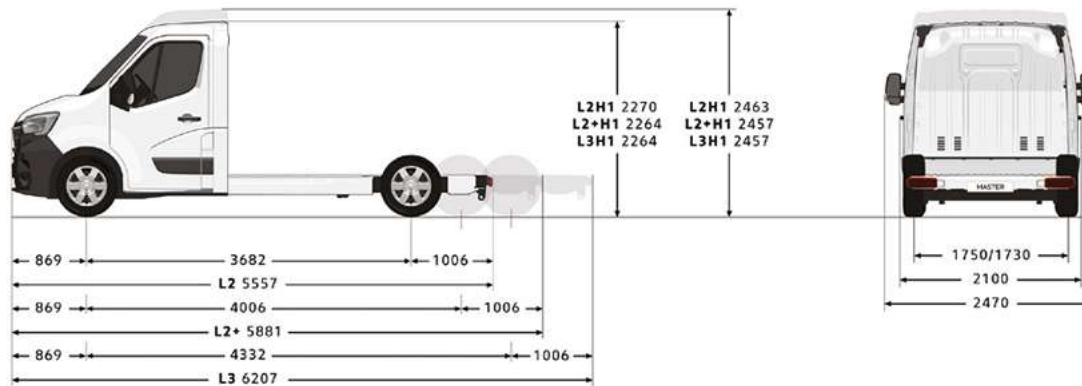
### DIMENSIONS Chassis double cab (mm)

	Front-wheel drive			
	L2	L3	L3 TW	L3 Long overhang TW
Maximum body length	5,670	6,320	6,220	6,870
Effective body length (min./max.)	2,434/ 2,516	3,084/ 4,044	2,985/ 3,416	3,635/ 4,436
Side member sill height (min./max.)	727/732	731/736	775/780	778/781
Width with extended door mirrors	2,654			
Maximum effective body width (with standard/extended repeater)	2,170/2,350			
Ground clearance (min)	169		167	

(1) The kerb weight is the weight of the vehicle without the driver and with the fuel tank filled to 90%. This weight is given for the basic version and may vary according to the equipment and engine (by up to 330 kg). (2) The payload is calculated as the difference between the Gross Vehicle Weight (GVW) and the kerb weight. SW: single wheels, TW: twin wheels.

# Dimensions

## Platform cab



### WEIGHTS AND LOADS Platform cab (kg)

	L2H1 Front-wheel drive	E-Tech electric L3H1 Front-wheel drive
<b>GVW</b>	3,5t	3.1t/3.5t
Min. kerb weight <sup>(1)</sup>	1,717	1795 / 1780
Max. payload <sup>(2)</sup>	1,783	1305 / 1720
Max. load on front axle	1,850	1700 / TBC
Max. load on rear axle	2,100	1900 / TBC
Max. towing weight braked/unbraked	2,500/750	0/0
Turning circle, kerb to kerb	13.6m	15.7m
Turning circle, wall to wall	14.1m	16.2m

### DIMENSIONS Platform cab (mm)

	L2H1	L3H1
Maximum body length	5,557	6,207
Effective body length (min./max.)	3,091/3,313	3,741/4,583
Maximum effective body width (with standard/extended repeater)	2,170/2,350	
Width with extended door mirrors	2,654	
Floor sill height (min./max.)	581/585	579/583
Ground clearance (min)	166	

(1) The kerb weight is the weight of the vehicle without the driver and with the fuel tank filled to 90%. This weight is given for the basic version and may vary according to the equipment and engine (by up to 330kg). (2) The payload is calculated as the difference between the Gross Vehicle Weight (GVW) and the kerb weight.

## Luton Low Loader

### WEIGHTS AND LOADS Luton Low Loader (kg)

	L3H1 Front-wheel drive
<b>GVW</b>	3.5t
Min. kerb weight <sup>(1)</sup>	2,262
Max. payload <sup>(2)</sup>	1,238
Max. load on front axle	1,850
Max. load on rear axle	2,100
Max. towing weight braked/unbraked	2,500/750

### DIMENSIONS Luton Low Loader (mm)

	L3H1
Maximum body length	6,700
Maximum effective body width (without door mirrors)	2,070
Width with door mirrors	2,470
Interior height	2,200
Overall height (unladen)	2,840
Cargo area length	4,150
Maximum loading area width	2,036

(1) The kerb weight is the weight of the vehicle without the driver and with the fuel tank filled to 90%. This weight is given for the basic version and may vary according to the equipment and engine (by up to 330kg). (2) The payload is calculated as the difference between the Gross Vehicle Weight (GVW) and the kerb weight.



MASTER



# Engines



## High-performance and more efficient engines

As part of the application of the Euro 6D-Full emission standard, Master has modernised its range of engines. Benefits: a 100% Twin Turbo range, more power (up to +10 hp), more torque (up to +40 Nm) for new driving pleasure and better acceleration. All of this significantly reduces fuel consumption and CO<sub>2</sub> emissions. Example: the dCi 135 hp Twin Turbo gains 5 hp, +40 Nm whilst reducing its consumption by up to 15% in combined cycle (NEDC-BT)<sup>(1)</sup> enabling a net improvement in the total cost of ownership.

### How do I choose?

- On rear-wheel drive models the Euro VI Emission standard engine range meets your expectations with the Blue dCi 145.
- On Front Wheel Drive models (non converted versions), the Blue dCi 150 and 180 versions can be combined with a 6-speed automatic gearbox.

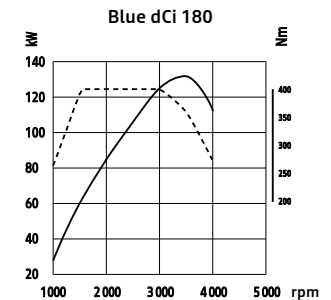
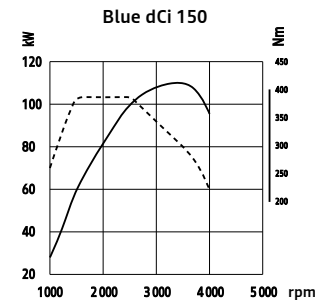
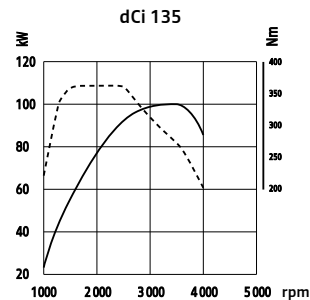
### "Twin Turbo" technology

It enables a diesel engine to combine torque at low speeds and high power with immediate benefit to driving pleasure. It incorporates two standard-mounted turbochargers:

- the first turbo provides high torque from low speeds to give you greater responsiveness when pulling away and restarting;
- the second turbo takes over at higher speeds, letting you use more power without running out of steam for smooth, steady, linear acceleration.

### Euro 6/VI and AdBlue®

The new range has the SCR (catalytic reduction system) enabling all of our engines to significantly reduce NO<sub>x</sub> emissions by injecting a liquid called AdBlue®. AdBlue® is a liquid, non-toxic, non-flammable and water-based solution, which is injected at the start of the exhaust system not line. This significantly reduces pollutant emissions while preserving the performance of our engines. The AdBlue® tank is located under the body at the front and is filled via a flap which is located on the right side of the vehicle (can be filled from a bottle, or HGV AdBlue® pump in service stations).



--- Torque (Nm)    — Power (hp)

# Technical specification

	dCi 135 BVM6 N1	BLUE dCi 150 BVM6/BVR6* N1	E-Tech 100% electric
Power (hp/kW)	135/100	150/110	76/57
Engine capacity (cc)	2298	2298	N/A
Stop & Start	No	Yes	No
Engine speed at max. power (rpm)	3,500	3,500	N/A
Torque (N.m)	360	385	210
Engine speed at max. torque (rpm)	1,500	1,500	N/A
Top speed (mph)	94	97	62
0-62 mph (s)	13.5	12.1	TBC
Fuel Tank Capacity - Gallons (l)		21.1 (80)	-
Battery Capacity (kWh)	-	-	52
AdBlue® Tank Capacity (l) <sup>(1)</sup>		22	-
BIO-fuel type		B7, B10, XTL	-
HVO type		HVO100 compliant	-

(1) Actual fuel and AdBlue® consumption depends on vehicle use, equipment, the user's driving style and loading. (2) WLTP figures shown are for comparability purposes; only compare figures with vehicles tested to the same technical procedures. Actual real world driving results may vary depending on factors such as weather conditions, driving styles, vehicle load or any accessories fitted after registration. WLTP is a new test used for fuel consumption and CO<sub>2</sub> figures. Please visit [renault.co.uk/configure](http://renault.co.uk/configure) for WLTP figures for any selected options.

\*BVR6 automatic gearbox engine data.

	BLUE dCi 145	dCi 130	BLUE dCi 145	E-Tech 100% electric
Type of bodywork	All FWD Vans and Conversions	RWD Conversions	All RWD Vans and Conversions	All FWD Vans and Conversions
Certification category	N1	N1	N1	N1
Wheels	SW	SW/TW	SW/TW	SW
Power (hp/kW)	145/107	130/96	145/107	76/57
Engine capacity (cc)	2298	2298	2298	N/A
Stop & Start	Yes	No	Yes	No
Engine speed at max. power (rpm)	3,500	3,500	3,500	N/A
Torque (N.m)	360	330	360	225
Engine speed at max. torque (rpm)	1,500	1,500	1,500	N/A
Top speed (mph)	95	92	93	62
Fuel Tank Capacity - Gallons (l)		21.1 (80)		-
Battery Capacity (kWh)	-	-	-	52
AdBlue® Tank Capacity (l) <sup>(1)</sup>		22		-
BIO-fuel type		B7, B10, XTL		
HVO type		HVO100 compliant		

(1) Actual fuel and AdBlue® consumption depends on vehicle use, equipment, the user's driving style and loading. (2) WLTP figures shown are for comparability purposes; only compare figures with vehicles tested to the same technical procedures. Actual real world driving results may vary depending on factors such as weather conditions, driving styles, vehicle load or any accessories fitted after registration. WLTP is a new test used for fuel consumption and CO<sub>2</sub> figures. Please visit [renault.co.uk/configure](http://renault.co.uk/configure) for WLTP figures for any selected options.

^ All chassis comes with Rustproofing underneath the chassis - Cathaphoresis (zinc phosphating paint bath), Mastic sealant & anti-gravel packing, Painting = primer + several layer painting.

# Master van pricing

## MASTER VAN - PANEL VAN

VERSIONS	WLTP CO <sub>2</sub> (g/km) <sup>†</sup>	Fuel Type	Combined fuel consumption (mpg) <sup>†</sup>	Load volume (m <sup>3</sup> )	Max. payload (kg)	Basic price (£)	VAT 20% (£)	VED 2021/22	Total retail price (£)*	On the road price*
<b>START - SWB</b>										
FWD SL28 Blue dCi 150 Quickshift6 Start MY23	231	Diesel	32.1	8.0	873	29,750	5,950	£290	35,700	<b>£36,745</b>
FWD SM35 Blue dCi 135 Start MY23	239	Diesel	31.0	9.0	1551	30,500	6,100	£290	36,600	<b>£37,645</b>
<b>START - MWB</b>										
FWD MM35 Blue dCi 135 Start MY23	239	Diesel	31.0	10.8	1381	31,250	6,250	£290	37,500	<b>£38,545</b>
FWD MM35 Blue dCi 150 Start MY23	235	Diesel	31.7	10.8	1381	32,000	6,400	£290	38,400	<b>£39,445</b>
FWD MM35 Blue dCi 150 Quickshift6 Start MY23	249	Diesel	29.7	10.8	1381	33,000	6,600	£290	39,600	<b>£40,645</b>
<b>START - LWB</b>										
FWD LM35 Blue dCi 135 Start MY23	242	Diesel	30.7	13.0	1384	32,000	6,400	£290	38,400	<b>£39,445</b>
FWD LM35 Blue dCi 150 Start MY23	237	Diesel	31.4	13.0	1384	32,750	6,550	£290	39,300	<b>£40,345</b>
FWD LH35 Blue dCi 135 Start MY23	251	Diesel	29.7	14.8	1377	33,250	6,650	£290	39,900	<b>£40,945</b>
FWD LH35 Blue dCi 150 Start MY23	245	Diesel	30.4	14.8	1377	34,000	6,800	£290	40,800	<b>£41,845</b>
FWD LH35 Blue dCi 150 Quickshift6 Start MY23	261	Diesel	28.5	14.8	1377	35,000	7,000	£290	42,000	<b>£43,045</b>
RWD LML35 Blue dCi 145 Start MY23	351	Diesel	21.1	14.9	1157	34,750	6,950	£290	41,700	<b>£42,745</b>
RWD LHL35 Blue dCi 145 Start MY23	351	Diesel	21.1	17.0	1110	36,000	7,200	£290	43,200	<b>£44,245</b>
<b>ADVANCE</b>										
FWD SL28 Blue dCi 135 Advance MY23	224	Diesel	33.2	8.0	845	29,500	5,900	£290	35,400	<b>£36,445</b>
FWD MM33 Blue dCi 135 Advance MY23	239	Diesel	31.0	10.8	1254	32,000	6,400	£290	38,400	<b>£39,445</b>
FWD MM35 Blue dCi 135 Advance MY23	241	Diesel	30.7	10.8	1254	32,750	6,550	£290	39,300	<b>£40,345</b>
FWD MM35 Blue dCi 150 Advance MY23	236	Diesel	31.4	10.8	1254	33,500	6,700	£290	40,200	<b>£41,245</b>
FWD LM35 Blue dCi 135 Advance MY23	244	Diesel	30.4	13.0	1359	33,500	6,700	£290	40,200	<b>£41,245</b>
FWD LM35 Blue dCi 150 Advance MY23	239	Diesel	31.0	13.0	1359	34,250	6,850	£290	41,100	<b>£42,145</b>
FWD LM35 Blue dCi 150 Quickshift6 Advance MY23	254	Diesel	29.1	13.0	1359	35,250	7,050	£290	42,300	<b>£43,345</b>
<b>START - HEAVY DUTY CONVERSION</b>										
FWD MM35 Blue dCi 145 Start MY23	336	Diesel	22.1	10.8	1381	31,250	6,250	£290	37,500	<b>£38,545</b>
FWD LM35 Blue dCi 145 Start MY23	336	Diesel	22.1	13.0	1384	32,000	6,400	£290	38,400	<b>£39,445</b>
FWD LH35 Blue dCi 145 Start MY23	336	Diesel	22.1	14.8	1377	33,250	6,650	£290	39,900	<b>£40,945</b>
<b>TRABUS</b>										
Trabus FWD LM39 Blue dCi 145 Start MY23	336	Diesel	22.1	13.0	tbc	32,950	6,590	£290	39,540	<b>£40,585</b>

## MASTER CREW VAN - 6 SEATS

VERSIONS	WLTP CO <sub>2</sub> (g/km) <sup>†</sup>	Fuel Type	Combined fuel consumption (mpg) <sup>†</sup>	Load volume (m <sup>3</sup> )	Max. payload (kg)	Basic price (£)	VAT 20% (£)	VED 2021/22	Total retail price (£)*	On the road price*
<b>CREW VAN START - 7 SEATS</b>										
FWD LM35 Blue dCi 135 Start Crew Van MY23	248	Diesel	22.1	9.0	1180	tbc	tbc	tbc	tbc	tbc
<b>CREW VAN ADVANCE - 7 SEATS</b>										
FWD LM35 Blue dCi 135 Advance Crew Van MY23	249	Diesel	29.7	9.0	1155	tbc	tbc	tbc	tbc	tbc

## MASTER E-TECH ELECTRIC PANEL VAN - ADVANCE - BATTERY FULL PURCHASE

VERSIONS	WLTP CO <sub>2</sub> (g/km) <sup>†</sup>	Power unit output kW (bhp)	Load volume (m <sup>3</sup> )	Max. payload (kg)	Basic price (£)	VAT 20% (£)	Total retail (£)*	Government grant (£)	Basic price after PiVG** exc VAT	On the road price after PiVG****
Panel Van FWD MM35 E-Tech 52kWh Advance MY22	0	57 (76)	10.8	1420	£48,400	£9,680	£58,080	£5,000	£43,400	£53,835
Panel Van FWD LM35 E-Tech 52kWh Advance MY22	0	57 (76)	13	1308	£49,200	£9,840	£59,040	£5,000	£44,200	£54,795

\*All prices shown are the manufacturer's recommended retail prices. The "On The Road" Price includes delivery to the dealer premises, number plates and a four-litre starter pack of AdBlue including funnel, 12 months government road fund licence at £275 (or £165 for vans with a GVW of more than 3.5 tonnes) and the First Registration Fee of £55. Other goods or services supplied by agreement between the customer and the dealer are not included. <sup>†</sup>Payload equals the Maximum Operating Mass (Gross Vehicle Mass or GVW) less the Kerb Mass. Kerb Mass is the weight of the complete vehicle including coolant, oil, a 90% full fuel tank, a 100% full AdBlue tank, spare wheel and jack, but excluding driver and crew. All Kerb Masses, and therefore Payloads quoted are subject to a 5% manufacturing tolerance and are based on the base level model. Any additional equipment added (options or accessories), or the selection of a higher trim level, could result in a higher Kerb Mass and a reduced Payload, and may increase CO<sub>2</sub> and decrease MPG figures. <sup>‡</sup> WLTP figures shown are for comparability purposes; only compare figures with vehicles tested to the same technical procedures. Actual real world driving results may vary depending on factors such as weather conditions, driving styles, vehicle load or any accessories fitted after registration. WLTP is a new test used for fuel consumption and CO<sub>2</sub> figures. Please visit [renault.co.uk/configure](http://renault.co.uk/configure) for WLTP figures for any selected options. \*\* PiVG - Plug-in Van Grant. \*\*\* All prices shown are the manufacturer's recommended retail prices. i - Indicates with full battery purchase. \*\*\*\* For full terms and conditions visit [www.renault.co.uk/warranty](http://www.renault.co.uk/warranty). The "On The Road" price includes delivery to the dealer premises, 35% PiVG (up to a maximum of £5,000 for large vans weighting between 2.5-3.5 tonnes), number plates, 12 months government road £0 for Master E-Tech electric and First Registration Fee at £55. Other goods or services supplied by agreement between the customer and the Dealer are not included.

### LCV SERVICE PLAN

5 Years / 66,000 miles

**MRRP (inc VAT)**

£1,380

[5 Years / 66,000 miles - Master E-Tech electric](#)

£1,314

### LCV EXTENDED WARRANTY

5 Years / 100,000 miles

**MRRP (inc VAT)**

£990

[5 Years / 96,000 miles - Master E-Tech electric](#)

£1,116

**Service Plan Terms & Conditions** The Service Plan offer is available on all LCV's. Valid at participating Renault dealers only and may be purchased up to 12 months after registration or before the first service (whichever is sooner). Vehicles must be ordered between 15 December 2022 to 3 April 2023 and registered by 30 June 2023

The Renault Service plan covers the manufacturer's minimum maintenance programme requirements for the term of the Service Plan purchased (refer to the Warranty and Service sheet in the Handover Document wallet for details). The plan ends when you reach the age or mileage limit (whichever comes first). Services must be carried out in line with the manufacturer's minimum maintenance programme requirements and servicing intervals within +/- 1 month or 1,000 miles of the service interval and can only be carried out at a Renault Approved outlet. Service plans do not cover wear and tear items such as (but not limited to) tyres, wiper blades or brakes. For Service plan full Terms & Conditions visit [www.renault.co.uk/owners](http://www.renault.co.uk/owners). Cannot be part exchanged, refunded or transferred. All prices quoted are MRRP.

**Extended Warranty Terms & Conditions** The Extended Warranties are available on all LCV's (excluding ZOE Van). Valid at participating Renault dealers only and are available to purchase from first date of registration and may be purchased up to 12 months after registration. For full Extended Warranty Terms and Conditions visit [www.renault.co.uk/extensions-of-warranties](http://www.renault.co.uk/extensions-of-warranties)

# Master options pricing

	FWD				RWD		Basic price (£)	VAT 20% (£)	MRRP*
	Start		Advance		Advance	Start			
	Panel Diesel	Crew	Panel	Crew	Panel E-Tech 100% electric	Panel			
<b>BASICS</b>									
Air suspension <sup>(6)</sup> <sup>(18)</sup> <sup>(27)</sup>	o	-	o	-	-	-	2,000.00	400.00	£2,400.00
Battery interface	o	●	o	o	o	o	10.00	2.00	£12.00
CAN interface unit	o	o	o	o	-	o	85.00	17.00	£102.00
EASY CONNECT Dongle - adapter for fleet connectivity services	o	o	o	o	o	o	150.00	30.00	£180.00
Digital Tachograph and CAN interface unit <sup>(7)</sup>	o	o	o	o	o	o	650.00	130.00	£780.00
Engine speed limiter (56mph/90kmh OR 62mph/100kmh OR 68mph/110kmh OR 81mph/130kmh) <sup>(8)</sup>	o	o	o	o	-	o	65.00	13.00	£78.00
Fuel tank - 105 litres	o	o	o	o	-	o	100.00	20.00	£120.00
Key - additional (third) key	o	o	o	o	o	o	55.00	11.00	£66.00
Key - 2 button hands free key	o	o	o	o	o	o	250.00	50.00	£300.00
Key - 3 button key	o	o	●	●	o	o	55.00	11.00	£66.00
Locking differential	-	-	-	-	-	o	570.00	114.00	£684.00
Mudflaps (front and rear)	o	o	o	o	o	o	60.00	12.00	£72.00
Power take off - engine <sup>(1)(9)</sup>	o	o	-	-	-	o	130.00	26.00	£156.00
Rear step	o	o	o	o	o	●	360.00	72.00	£432.00
Reinforced Battery <sup>(11)</sup>	o	o	o	o	●	o	100.00	20.00	£120.00
Smoker pack	o	o	o	o	o	o	20.00	4.00	£24.00
<b>CONNECTIVITY</b>									
MediaNav Evolution multimedia system: 7" touchscreen, Navteq navigation, FM/AM/DAB tuner, 2x20W speakers, Bluetooth® hands-free calls, USB and AUX sockets, compatible with Apple CarPlay™ and Android Auto™ <sup>(2)</sup>	o	o	o	o	-	o	420.00	84.00	£504.00
12v Power Point in Load Area	o	o	o	o	o	o	25.00	5.00	£30.00
<b>COMFORT</b>									
Cruise control with speed limiter	o	o	o	o	o	o	250.00	50.00	£300.00
Driver's seat - fully adjustable suspension type <sup>(13)</sup> <sup>(24)</sup>	o	o	●	o	o	o	250.00	50.00	£300.00
Kompo upholstery	o	o	-	-	o	-	50.00	10.00	£60.00
Manual air conditioning with pollen filter	o	o	●	●	o	o	2,000.00	400.00	£2,400.00
Passenger's seat - height-adjustable single seat with armrest	£700	£700	o	o	o	£700	700.00	140.00	£840.00
Passenger's seat - height-adjustable with lumbar adjustment single seat <sup>(21)</sup>	o	●	o	●	o	o	60.00	12.00	£72.00
Pivoting seatback table <sup>(13)</sup> <sup>(22)</sup>	o	-	-	-	o	o	50.00	10.00	£60.00
Pivoting seatback table with dual split underseat storage compartment <sup>(13)</sup> <sup>(22)</sup>	o	-	●	-	o	o	200.00	40.00	£240.00
Pollen filter	o	o	●	●	●	o	50.00	10.00	£60.00
Driving pack: Cruise control with speed limiter, Air conditioning with pollen filter, One touch electric front windows	o	o	-	-	-	o	950.00	190.00	£1,140.00
<b>PROTECT</b>									
Airbag - front passenger	o	o	o	o	o	o	235.00	47.00	£282.00
Airbag - front passenger, front lateral curtain (driver and passenger) and single passenger seat (height adjustable) with lumbar adjustment <sup>(5)</sup>	o	-	o	-	o	o	800.00	160.00	£960.00
Advanced Emergency Braking System <sup>(23)</sup>	o	o	o	o	-	o	490.00	98.00	£588.00
2 Additional anchorage points in loading area, weight allowed per anchorage point: approximately 500kg	o	o	o	o	o	o	75.00	15.00	£90.00
Blind Spot Warning <sup>(20)</sup> <sup>(26)</sup> <sup>(29)</sup>	o	o	-	-	-	o	250.00	50.00	£300.00
Bulkhead - full steel with glazing	o	-	o	-	-	o	100.00	20.00	£120.00
LED loadspace lighting	o	o	o	o	o	o	100.00	20.00	£120.00
Rear parking camera with rear parking sensors	o	o	o	o	o	o	550.00	110.00	£660.00
Front parking sensors (Inc. rear sensors)	o	o	o	o	o	o	330.00	66.00	£396.00
Front parking sensors (Inc. rear sensors) with rear parking camera	o	o	o	o	o	o	420.00	84.00	£504.00
Parking Pack 1: front & rear parking sensors plus cruise control & wide view mirror	o	o	o	o	o	o	200.00	40.00	£240.00
Parking Pack 2: front & rear parking sensors, rear parking camera plus cruise control & wide view mirror	o	o	o	o	o	o	750.00	150.00	£900.00
Parking Pack 3: front & rear parking sensors plus cruise control, wide view mirror & blind spot warning <sup>(30)</sup>	o	o	-	-	-	o	530.00	106.00	£636.00
Parking Pack 4: front & rear parking sensors, rear parking camera plus cruise control, wide view mirror & blind spot warning <sup>(30)</sup>	o	o	-	-	-	o	570.00	114.00	£684.00
Rear parking sensors <sup>(27)</sup>	o	o	●	●	o	o	900.00	180.00	£1,080.00

	FWD				RWD		Basic price (£)	VAT 20% (£)	MRRP*
	Start		Advance		Advance	Start			
	Panel Diesel	Crew	Panel	Crew	Panel E-Tech 100% electric	Panel			
Resin coated plywood floor	o	o	o	o	o	o	300.00	60.00	£360.00
Rear View Camera Assist (Does not function when vehicle is reversing)	o	o	o	o	-	o	800.00	160.00	£960.00
Ply lining - full height ply lined side panels and floor - ply lined with resin coating <sup>(3)</sup>	o	o	o	o	-	o	900.00	180.00	£1,080.00
Ply lining - half height ply lined side panels <sup>(6)</sup>	o	o	o	o	o	o	100.00	20.00	£120.00
Towing capacity - twin wheel heavy duty option : Increase to 3,500 Kg <sup>(8)(17)</sup>	-	-	-	-	-	o	350.00	70.00	£420.00
Tyre pressure monitoring system	o	o	o	o	o	-	100.00	20.00	£120.00
Wide view mirror	o	o	●	●	o	o	50.00	10.00	£60.00
Lane departure warning system & automatic headlight high/ low beam <sup>(25)(26)(31)</sup>	o	o	o	o	o	o	435.00	87.00	£522.00
	£435		£120		£435		120.00	24.00	£144.00
<b>STYLE</b>									
16" alloy wheels <sup>(19)</sup>	o	o	o	o	-	-	425.00	85.00	£510.00
16" steel wheels with large wheel stylers <sup>(15)</sup>	o	o	●	●	o	o	50.00	10.00	£60.00
All-weather tyres <sup>(6)(16)</sup>	o	o	o	o	-	o	300.00	60.00	£360.00
Metallic paint	o	o	o	o	o	o	650.00	130.00	£780.00
Tow bar (13-pin plug, 9 wired)	o	o	o	o	-	o	300.00	60.00	£360.00
Front fog lights	o	o	o	o	o	-	160.00	32.00	£192.00
<b>ELECTRIC</b>									
EVSE Cable for 10 amp charging using domestic 3-pin plug	-	-	-	-	o	-	414.00	82.80	£496.80

● = Standard (therefore no cost) ○ = Optional - = Not available #Manufacturer's recommended retail prices.

(1) RWD and FWD 135, 145,150 and 170 versions must be taken with manual air conditioning. (2) For list of compatible Bluetooth devices visit <https://www.renault.co.uk/services/multimedia/bluetooth-compatibility.html> (3) Not available with Glazing Pack or with LML and LHL versions if not twin wheel variant (5) Front lateral airbag covers thorax only (6) Not available on SWB versions (7) Standard on 4.5T and needs to be calibrated by the dealership on hand-over (8) Not available on 4.5T versions (9) Must be taken with battery interface (10) Not available with increase idle speed. Not available on QuickShift (11) Not available on Blue or QuickShift engines (12) Cannot be taken with Airbag - front passenger (13) Not available with front lateral curtain airbag (14) Not available with Power take off - gearbox (15) Not available on twin RWD versions (16) Not compatible with Alloy wheels (17) Only available on Twin RWD versions (18) Requires battery interface and Can interface unit (19) Not available with All-weather tyres (20) Must be ordered with Rear parking sensors (21) Standard on LWB Crew Van Versions (22) Not available on LWB Crew Van Versions: single passenger seat is standard (23) Cannot be ordered with Front parking sensors (24) Not available on 3.1T E-Tech electric versions (25) Must be ordered with Blind Spot Warning on QuickShift engines (26) Not available with MediaNav on QuickShift engines, except for Business+ QuickShift and 180 QuickShift versions (27) Not compatible with Glazed side loading doors (28) Must be taken with MediaNav multimedia system (29) Standard on 180 QuickShift versions (30) Not available on 180 QuickShift versions (31) Lane Departure Warning standard on 180 QuickShift versions

# Doors, windows and bulkheads pricing

	PANEL	CREW	Basic price (£)	VAT 20% (£)	MRRP*
<b>DOORS, WINDOWS &amp; BULKHEADS</b>					
Right side loading door - unglazed <sup>(4)</sup>	o	-	300	60	360
Glazing for side loading doors / right hand panel - non-opening windows <sup>(4)</sup>	o	●	150	30	180
Opening windows in glazed side loading doors <sup>(1)</sup>	o	o	150	30	180
Rear doors - glazed, 180°	o	o	130	26	156
Rear doors - glazed 270° <sup>(2)(3)</sup>	o	-	390	78	468
Rear doors - unglazed, 270° <sup>(2)</sup>	o	o	280	56	336
Heated Rear Window	o	o	110	22	132
Glazing pack - Left side loading door - glazed with non opening window, Right side panel - glazed with non opening window, Rear doors - glazed, 180°, Left and right quarter panels - glazed	o	-	390	78	468

● = Standard (therefore no cost) ○ = Optional - = Not available

# Manufacturer's Recommended Retail Price (1) Must be taken with glazed sides (2) Not available on SWB versions (3) Not compatible with door ladder (4) Not compatible with Driver's seat - fully adjustable suspension type

# Master Conversions pricing

## MASTER CONVERSIONS

VERSIONS	WLTP CO <sub>2</sub> (g/km) <sup>†</sup>	Fuel Type	Combined fuel consumption (mpg) <sup>†</sup>	Load volume (m <sup>3</sup> )	Max. payload (kg)	Basic price (£)	VAT 20% (£)	VED 2021/22	Total retail price (£)*	On the road price*
<b>CHASSIS CAB SINGLE CAB</b>										
Chassis Cab FWD ML35 Blue dCi 145 Start MY23	336	Diesel	22.1	-	1714	TBC	TBC	TBC	TBC	TBC
Chassis Cab RWD ML35 Blue dCi 130 Start MY23	351	Diesel	21.1	-	1714	TBC	TBC	TBC	TBC	TBC
Chassis Cab RWD ML35TW Blue dCi 130 Start MY23	354	Diesel	20.9	-	1420	TBC	TBC	TBC	TBC	TBC
Chassis Cab FWD LL35 Blue dCi 145 Start MY23	336	Diesel	22.1	-	1550	TBC	TBC	TBC	TBC	TBC
Chassis Cab RWD LL35 Blue dCi 130 Start MY23	351	Diesel	21.1	-	1550	TBC	TBC	TBC	TBC	TBC
<b>CHASSIS CAB DOUBLE CAB</b>										
Chassis Double Cab RWD MLL35TW Blue dCi 145 Start MY23	359	Diesel	20.6	-	1255	TBC	TBC	TBC	TBC	TBC
Chassis Double Cab FWD LL35 Blue dCi 145 Start MY23	336	Diesel	22.1	-	1521	TBC	TBC	TBC	TBC	TBC
<b>PLATFORM CAB</b>										
Platform Cab FWD LL35 Blue dCi 145 Start MY23	336	Diesel	22.1	-	1775	TBC	TBC	TBC	TBC	TBC
<b>DROPSIDE SINGLE CAB</b>										
Chassis Cab Dropside (incl. Rear Corner Pillars) FWD ML35 Blue dCi 145 Start MY23	336	Diesel	22.1	-	1399	TBC	TBC	TBC	TBC	TBC
Chassis Cab Dropside (incl. Rear Corner Pillars) FWD LL35 Blue dCi 145 Start MY23	336	Diesel	22.1	-	1333	TBC	TBC	TBC	TBC	TBC
Chassis Cab Dropside (incl. Rear Corner Pillars) RWD LL35 Blue dCi 130 Start MY23	351	Diesel	21.1	-	1190	TBC	TBC	TBC	TBC	TBC
<b>DROPSIDE DOUBLE CAB</b>										
Chassis Double Cab Dropside (incl. Rear Corner Pillars) FWD LL35 Blue dCi 145 Start MY23	336	Diesel	22.1	-	1206	TBC	TBC	TBC	TBC	TBC
<b>TIPPER SINGLE CAB</b>										
Tipper Single Cab FWD ML35 Blue dCi 145 Start MY23	336	Diesel	22.1	-	1217	TBC	TBC	TBC	TBC	TBC
Tipper Single Cab RWD ML35 Blue dCi 130 Start MY23	351	Diesel	21.1	-	1104	TBC	TBC	TBC	TBC	TBC
Tipper Single Cab RWD ML35TW Blue dCi 130 Start MY23	tbx	Diesel	tbx	-	820	TBC	TBC	TBC	TBC	TBC
<b>TIPPER DOUBLE CAB</b>										
Tipper Double Cab RWD LL35 Blue dCi 145 Start MY23	tbx	Diesel	tbx	-	890	TBC	TBC	TBC	TBC	TBC
Tipper Double Cab RWD MLL35TW Blue dCi 130 Start MY23	tbx	Diesel	tbx	-	825	TBC	TBC	TBC	TBC	TBC
<b>ALUMINIUM TIPPER SINGLE CAB</b>										
Aluminium Tipper Single Cab FWD ML35 Blue dCi 145 Start MY23	336	Diesel	22.1	-	1314	TBC	TBC	TBC	TBC	TBC
Aluminium Tipper Single Cab RWD ML35 Blue dCi 130 Start MY23	351	Diesel	21.1	-	1201	TBC	TBC	TBC	TBC	TBC
Aluminium Tipper Single Cab RWD ML35TW Blue dCi 130 Start MY23	354	Diesel	20.9	-	1020	TBC	TBC	TBC	TBC	TBC
<b>ALUMINIUM TIPPER DOUBLE CAB</b>										
Aluminium Tipper Double Cab RWD LL35 Blue dCi 130 Start MY23	351	Diesel	21.1	-	953	TBC	TBC	TBC	TBC	TBC
Aluminium Tipper Double Cab RWD LL35TW Blue dCi 145 Start MY23	359	Diesel	20.6	-	808	TBC	TBC	TBC	TBC	TBC
<b>LUTON LOW LOADER</b>										
Luton Low Loader FWD LL35 Blue dCi 145 Start MY23	336	Diesel	22.1	19	1238	TBC	TBC	TBC	TBC	TBC
<b>LUTON BOX VAN</b>										
Luton Box Van 20M3 FWD LL35 Blue dCi 145 Start MY23	336	Diesel	22.1	20.1	1204	TBC	TBC	TBC	TBC	TBC
Luton Box Van 20M3 (incl. Tail Lift) FWD LL35 Blue dCi 145 Start MY23	336	Diesel	22.1	20.1	1064	TBC	TBC	TBC	TBC	TBC

## MASTER E-TECH ELECTRIC CONVERSIONS - BATTERY FULL PURCHASE

VERSIONS	WLTP CO <sub>2</sub> (g/km) <sup>†</sup>	Power Unit Output kW (bhp)	Max. payload (kg)	Basic Price (£)	VAT 20% (£)	Total Retail (£)*	Government Grant (£)	Basic Price after PiVG** exc VAT	On The Road Price after PiVG****
Chassis Cab FWD ML35 E-Tech 52kWh Start MY22	0	57 (76)	1,567	£41,800	£8,360	£50,160	£5,000	£36,800	£45,915
Chassis Cab FWD LL35 E-Tech 52kWh Start MY22	0	57 (76)	1,546	£43,650	£8,730	£52,380	£5,000	£38,650	£48,135
Platform Cab FWD LL35 E-Tech 52kWh Start MY22	0	57 (76)	1,664	£43,950	£8,790	£52,740	£5,000	£38,950	£48,495

\*All prices shown are the manufacturer's recommended retail prices. The "On The Road" Price includes delivery to the dealer premises, number plates and a four-litre AdBlue® starter kit, 12 months government road fund licence at £275 (or £165 for vans with a GVW of more than 3.5 tonnes) and First Registration Fee at £55. Other goods or services supplied by agreement between the customer and the Dealer are not included. No CO<sub>2</sub> or MPG data published for base Platform Cab as the final kerb weight of the vehicle is not defined until the body is fitted. \*\* PiVG - Plug In Van Grant \*\*\* All prices shown are the manufacturer's recommended retail prices. i - Indicates with full battery purchase. \*\*\*\* On the road Price is less expensive than the total retail price due to the PiVG Government Grant. To benefit from PiVG for incomplete vehicles, the 3rd party converter must register for PiVG. ^Payload equals the Maximum Operating Mass (Gross Vehicle Mass or GVW) less the Kerb Mass. Kerb Mass is the weight of the complete vehicle including coolant, oil, a 90% full fuel tank, a 100% full AdBlue® tank, spare wheel and jack, but excluding driver and crew. All Kerb Masses, and therefore Payloads quoted are subject to a 5% manufacturing tolerance and are based on the base level model. Any additional equipment added (options or accessories), or the selection of a higher trim level, could result in a higher Kerb Mass and a reduced Payload, and may increase CO<sub>2</sub> and decrease MPG figures. † WLTP figures shown are for comparability purposes; only compare figures with vehicles tested to the same technical procedures. Actual real world driving results may vary depending on factors such as weather conditions, driving styles, vehicle load or any accessories fitted after registration. WLTP is a new test used for fuel consumption and CO<sub>2</sub> figures. Please visit [renault.co.uk/configure](http://renault.co.uk/configure) for WLTP figures for any selected options.

### LCV SERVICE PLAN

5 Years / 66,000 miles

**MRRP (inc VAT)**

£1,380

[5 Years / 66,000 miles - Master E-Tech electric](#)

£1,314

### LCV EXTENDED WARRANTY

5 Years / 100,000 miles

**MRRP (inc VAT)**

£990

[5 Years / 96,000 miles - Master E-Tech electric](#)

£1,116

**Service Plan Terms & Conditions** The Service Plan offer is available on all LCV's. Valid at participating Renault dealers only and may be purchased up to 12 months after registration or before the first service (whichever is sooner). Vehicles must be ordered between 15 December 2022 to 3 April 2023 and registered by 30 June 2023.

The Renault Service plan covers the manufacturer's minimum maintenance programme requirements for the term of the Service Plan purchased (refer to the Warranty and Service sheet in the Handover Document wallet for details). The plan ends when you reach the age or mileage limit (whichever comes first). Services must be carried out in line with the manufacturer's minimum maintenance programme requirements and servicing intervals within +/- 1 month or 1,000 miles of the service interval and can only be carried out at a Renault Approved outlet. Service plans do not cover wear and tear items such as (but not limited to) tyres, wiper blades or brakes. For Service plan full Terms & Conditions visit [www.renault.co.uk/owners](http://www.renault.co.uk/owners). Cannot be part exchanged, refunded or transferred. All prices quoted are MRRP.

**Extended Warranty Terms & Conditions** The Extended Warranties are available on all LCV's (excluding ZOE Van). Valid at participating Renault dealers only and are available to purchase from first date of registration and may be purchased up to 12 months after registration. For full Extended Warranty Terms and Conditions visit [www.renault.co.uk/extensions-of-warranties](http://www.renault.co.uk/extensions-of-warranties)



# Master Conversions options pricing

	CHASSIS			PLATFORM			DROPSIDE			TIPPER			LUTON LOW LOADER	LUTON BOX VAN	Basic price (£)	VAT 20% (£)	MRRP*
	SINGLE CAB		DOUBLE CAB	SINGLE CAB		SINGLE CAB		DOUBLE CAB	SINGLE CAB		DOUBLE CAB	FWD	FWD				
	FWD	RWD	E-Tech 100% Electric	FWD	FWD	E-Tech 100% Electric	FWD	RWD	FWD	FWD	RWD	RWD	FWD	FWD			
<b>BASICS</b>																	
Air suspension <sup>(16)</sup> (20)	o	-	-	o	o	-	o	-	o	o	-	-	o	o	2,000	400	£2,400
B-pillar wiring connection point <sup>(6)</sup>	o	o	o	-	o	o	o	o	-	o	o	-	o	-	60	12	£72
Battery interface	o	o	-	o	o	-	●	●	●	●	●	●	o	o	10	2	£12
CAN interface unit	o	o	-	o	o	-	o	o	o	o	o	o	o	o	85	17	£102
EASY CONNECT Dongle - adapter for fleet connectivity services	o	o	o	o	o	o	o	o	o	o	o	o	o	o	150	30	£180
Digital tachograph and CAN interface unit <sup>(5)</sup>	o	o	-	o	o	-	o	o	o	o	o	o	o	o	650	130	£780
Engine speed limiter - 56mph/90kmh (to meet legal requirement) <sup>(5)</sup>	o	o	-	o	o	-	o	o	o	o	o	o	o	o	60	12	£72
Engine speed limiter (56mph/90kmh or 62mph/100kmh or 68mph/110kmh) <sup>(6)</sup>	o	o	-	o	o	-	o	o	o	o	o	o	o	o	65	13	£78
Fuel tank - 105 litres <sup>(7)</sup>	o	o	-	o	o	-	o	o	o	o	o	o	o	o <sup>(11)</sup>	100	20	£120
Key - 2 button hands free key	o	o	o	o	o	o	o	o	o	o	o	o	o	o	250	50	£300
Key - additional (third) key	o	o	o	o	o	o	o	o	o	o	o	o	o	o	55	11	£66
Locking differential <sup>(17)</sup>	-	o	-	-	-	-	-	-	-	-	o	o	-	-	570	114	£684
Long wiring loom	o	o	-	o	o	-	-	-	-	-	o	o	o	-	15	3	£18
Power take off - engine	-	-	-	-	-	-	-	-	o	o	-	-	-	-	120	24	£144
Power take off - engine, and manual air conditioning with pollen filter <sup>(8)</sup> (9)	-	o	-	-	-	-	o	o	-	o	o	o	-	-	920	184	£1,104
Power take off - engine, battery interface and air conditioning with pollen filter <sup>(8)</sup> (9)	o	-	-	o	o	-	-	-	-	-	-	-	o	o	930	186	£1,116
Power take off - engine and converter pack 1 <sup>(3)</sup> (8) <sup>(9)</sup> (18) <sup>(19)</sup>	o	o	-	-	o	-	-	-	-	-	-	-	-	-	205	41	£246
Power take off - engine and converter pack 2 <sup>(3)</sup> (8) <sup>(9)</sup> (18)	o	o	-	o	o	-	-	-	-	-	-	-	o	-	145	29	£174
Reinforced battery <sup>(9)</sup> (12) <sup>(23)</sup>	o	o	●	o	o	●	o	o	o	o	o	o	o	o	100	20	£120
Smoker pack	o	o	o	o	o	o	o	o	o	o	o	o	o	o	12	2.40	£14.40
Towing twin wheel heavy duty option: increase to 3,500 Kg <sup>(6)</sup> (9) <sup>(10)</sup>	-	o	-	-	-	-	-	o	-	-	o	o	-	-	350	70	£420
Converter pack 1: Battery interface, B pillar wiring connection point, long wiring loom	o	o	-	-	o <sup>(23)</sup>	-	-	-	-	-	-	-	o <sup>(23)</sup>	o	85	17	£102
Converter pack 2: CAN interface unit, battery interface, long wiring loom	o	o	-	o	o	-	-	-	-	-	-	-	o	o	100	20	£120
Converter pack 3: CAN interface unit, battery interface, B pillar wiring connection point, long wiring loom	o	o	-	-	o <sup>(23)</sup>	-	-	-	-	-	-	-	o <sup>(23)</sup>	o	160	32	£192
<b>CONNECTIVITY</b>																	
MediaNav Evolution multimedia system: 7" touchscreen, Navteq navigation, FM/AM/DAB tuner, 2x20W speakers, Bluetooth® hands-free calls, USB and AUX sockets, compatible with Apple CarPlay™ and Android Auto™ <sup>(2)</sup>	o	o	-	o	o	-	o	o	o	o	o	o	o	o	420	72	£432
<b>COMFORT</b>																	
Cruise control with speed limiter	o	o	o	o	o	o	o	o	o	o	o	o	o	o	250	50	£330
Driver's seat - fully adjustable suspension type <sup>(13)</sup> (24)	o	o	o	o	o	o	o	o	o	o	o	o	o	o	250	50	£300
Electric front windows - driver's side one-touch descending	o	o	o	o	o	o	o	o	o	o	o	o	o	o	50	10	£60
Manual air conditioning with pollen filter															850	170	£1,020
	£700	£2000			£2000					£700			£700	2,000	400	£2,400	
Passenger's seat - height-adjustable with lumbar adjustment single seat	o	o	o	o	o	o	o	o	o	o	o	o	o	o	110	22	£132
Passenger's seat - height-adjustable single seat <sup>(14)</sup>	o	o	o	o	o	o	o	o	o	o	o	o	o	o	60	12	£72
Pivoting seatback table <sup>(15)</sup>	o	o	o	o	o	o	o	o	o	o	o	o	o	o	50	10	£60
Pivoting seatback table with dual split underseat storage compartment <sup>(15)</sup>	o	o	o	o	o	o	o	o	o	o	o	-	o	o	80	16	£96
Pollen filter	o	o	o	o	o	o	o	o	o	o	o	o	o	o	50	10	£60
Driving Pack: Manual air conditioning with pollen filter, Electric front windows - driver's side one-touch descending, Cruise control with speed limiter	o	o	-	o	o	-	o	o	-	o	o	o	o	o	950	190	£1,140
<b>PROTECT</b>																	
Airbag - front passenger	o	o	o	o	o	o	o	o	o	o	o	o	o	o	490	98	£588
Airbag - front passenger and front lateral curtain (driver and passenger), and single passenger seat (height adjustable) with lumbar adjustment	o	o	o	o	o	o	o	o	o	o	o	o	o	o	235	47	£282
Advanced emergency braking system <sup>(25)</sup>	o	o	-	o	o	-	o	o	o	o	o	o	o	o	800	160	£960
Automatic high/low beam and front fog lights (4.5T versions only)	-	o	-	-	-	-	-	-	-	-	-	-	-	-	350	70	£420
Front fog lights	o	o	o	o	o	o	o	o	o	o	o	o	o	o	160	32	£192
Wide view mirror	o	o	o	o	o	o	o	o	o	o	o	o	o	o	50	10	£60

	CHASSIS			PLATFORM		DROPSIDE			TIPPER			LUTON LOW LOADER	LUTON BOX VAN	Basic price (£)	VAT 20% (£)	MRRP*	
	SINGLE CAB		DOUBLE CAB	SINGLE CAB		SINGLE CAB		DOUBLE CAB	SINGLE CAB		DOUBLE CAB	FWD	FWD				
	FWD	RWD	E-Tech 100% Electric	FWD	FWD	E-Tech 100% Electric	FWD	RWD	FWD	FWD	RWD						RWD
<b>STYLE</b>																	
16" alloy wheels <sup>(16)(24)</sup>	o	-	-	o	o	-	o	-	o	o	-	-	o	o	425	85	£510
16" steel wheels with large wheel stylers <sup>(12)</sup>	o	o	o	o	o	o	o	o	o	o	o	o	o	o	50	10	£60
All-weather tyres <sup>(16)</sup>	o	o	-	o	o	-	o	o	o	o	o	o	o	o	215	43	£258
Dropside - tool compartment and ladder rack <sup>(21)(22)</sup>	-	-	-	-	-	-	o	o	o	-	-	-	-	-	200	40	£240
Extended door mirror arms	o	o	o	o	o	o	o	o	o	o	o	o	o	●	50	10	£60
Metallic paint <sup>(1)</sup>	o	o	o	o	o	o	o	o	o	o	o	o	o	o	650	130	£780
Mudflaps (front and rear)	o	o	o	o	o	o	o	o	o	o	o	o	o	o	60	12	£72
Tow bar (13-pin plug, 9 wired) <sup>(7)</sup>	o	o	-	o	o	-	o	o	o	o	o	-	o	o	300	60	£360
<b>ELECTRIC</b>																	
EVSE Cable for 10 amp charging using domestic 3-pin plug	-	-	o	-	-	o	-	-	-	-	-	-	-	-	414	82.80	£496.80
Type 2 Mennekes charging cable 32A (IEC - 629196) 6m	-	-	o	-	-	o	-	-	-	-	-	-	-	-	75	15	£90

● = Standard (therefore no cost) o = Optional - = Not available #Manufacturer's recommended retail prices.

(1) On the Box Van and Luton Low Loader versions, only the base chassis is painted. The box will remain white. If your box is required to be painted, please contact your local dealer to get a quote. (2) For list of compatible Bluetooth devices visit <https://www.renault.co.uk/services/multimedia/bluetooth-compatibility.html>. (3) On FWD 135, 145, 150 and 180 versions must be ordered with air conditioning. Not available on Quickshift engines. (5) Standard on 4.5T versions and the digital tachograph needs to be calibrated by the dealership on hand-over. (6) Not available on 4.5T versions. (7) Not available on Factory Steel Tipper. (8) Increase idle speed and Power take off - gearbox cannot be ordered together. (9) Not available on Quickshift versions. (10) Only available on Twin RWD Versions. (11) Not compatible with ECO Mode and Increased idle speed. (12) Not available on twin RWD versions. (13) Cannot be ordered with front passenger airbag or front lateral curtain airbag. (14) Standard on Double Cab Factory Tipper and LWB Twin Rear Wheel Dropsides. Still optional on Aluminium Tipper. (15) Cannot be ordered with Front lateral curtain airbag. (16) Not available on RWD. (17) Not available on FWD. (18) Requires to be taken with Long wiring loom and Battery interface. (19) Requires to be taken with B-Pillar wiring connect point. (20) Requires Battery Interface and CAN Interface Unit. (21) Not compatible with Air suspension. (22) Requires Battery interface. (23) Not compatible with Start & Stop Blue engines. (24) Not compatible with All-weather tyres. (25) Cannot be ordered with Front parking sensors. (26) Not available on 3.1T E-Tech electric versions. (27) Must be taken with MediaNav multimedia system.

# Accessories

---



**1. Roof bars:** Very practical for transporting professional equipment and all other bulky loads. These roof bars meet all safety and quality standards and are available in either a set of 2 bar (maximum load: 89.5kg) or 4 bars (maximum load: 181.5kg).

**2. Rubber floor mats:** These waterproof and easy-to-maintain mats ensure total protection for the floor of your Master. They are quick to attach using 2 safety clips and come in packs of 2 or 4.

**3. Loading pack\*:** Essential for easy access to the roof. Pack includes the steel ladder, mounted inside the door for a better hold, and the aluminium roof rack, supplied with rear roller for easy loading.

**4. Kenwood Dashcam:** The Kenwood DVR-A501W dashcam is a great addition for added security and reassurance on the road. The on-board camera automatically starts recording as soon as the vehicle ignition is switched on. The dashcam is designed to give drivers peace of mind, as video footage is widely accepted and used for insurance claims. The pack includes a GPS integrated dashboard camera, touch panel control and parking mode recording.

**5. Sortimo racking:** SR5 range. Pre-selected and bespoke racking solutions available giving you more room & more space for what matters.

\*All accessories are available to order individually.

Please refer to accessory brochure for full list of accessories. Accessories are fitted post production and may have an impact on WLTP fuel (actual) consumption and CO<sub>2</sub> figures.



# Further information

Vehicle	Classed As	Delivery to Dealer and Number Plates*	Vehicle Excise Duty	First Registration Fee	Total
Master Van	LCV	£700	£290	£55	£1,045
Master 4.5t versions	HGV	£700	£165	£55	£920

Information correct at time of publication \* Inc VAT † WLTP figures shown are for comparability purposes; only compare figures with vehicles tested to the same technical procedures. Actual real world driving results may vary depending on factors such as weather conditions, driving styles, vehicle load or any accessories fitted after registration. WLTP is a new test used for fuel consumption and CO2 figures. Please visit [renault.co.uk/configure](https://www.renault.co.uk/configure) for WLTP figures for any selected options.

## Renault Pro+, the specialist brand



You're the expert in your field and at Renault Pro+ we're here to guide you through ours. We're passionate about delivering products and services to move your business forward. So when you choose to partner with Renault Pro+ you can expect:

### Specialist network

Renault Pro+ Centres have a dedicated commercial vehicle specialist. So whatever you're seeking advice on, there's always someone to help.

### Business Commitment

Come rain or shine, we have a set of commitments in place to help maximise uptime and minimise downtime.

### The future today - 100% electric

Renault Pro+ has been building, selling and maintaining electric vans since 2011. So when you're looking to make the switch, you know who to speak to.

### A tailored approach

Your vehicles are as unique as your business. That's why we have a programme of conversions to deliver exactly the product you want. From 'off the shelf' conversions to a more bespoke approach. We'll guide you through.

# Renault services

## 3 Years Warranty

Your vehicle is covered by a warranty package for up to 3 years from date of first registration (unlimited mileage during the first 24 months, followed by a further 1 year limited to a total mileage of 100,000). Your Renault Dealer is able to repair or replace without charge, parts that are found to have a material or assembly defect that is recognised by Renault. The paintwork warranty runs for 3 years and the anti-corrosion warranty for 6 years.

For Warranty Terms and Conditions please visit [www.renault.co.uk/warranty](http://www.renault.co.uk/warranty).

## 3 Years Renault Assistance

Should you need it, we'll provide emergency roadside repairs or tow you to the nearest Renault Dealer. This service is available 24 hours a day and is provided for 36 months from the date of first registration (unlimited mileage for first 24 months, then limited to a total of 100,000 miles or 3 years, whichever comes first). Assistance is provided within the UK & Northern Ireland only at roadside, home and includes national recovery and onward travel. Assistance applies to mechanical or electrical defects which are covered by warranty.

For Renault Assistance Terms and Conditions please visit [www.renault.co.uk/assistance](http://www.renault.co.uk/assistance).

## LCV Service Plans & Extended Warranties

Renault's LCV Service Plans are the ultimate package to provide care free servicing for your new Renault LCV.

It really is the hassle free way to take care of your Renault and benefits from;

- Inflation Proof Servicing - You know exactly what you'll pay and there are no hidden costs
- Peace of Mind - No matter where life takes you, we'll be there in over 5000 workshops across Europe
- Renault Expertise & Quality - Our highly trained technicians know your Renault inside out

The Renault LCV Service Plan contains Renault services in-line with the manufacturer's service schedule, plus comes with a complimentary vehicle safety check to ensure your Renault is in the best condition possible.

Renault LCV Extended Warranty enhancements also available. Refer to the Price Guide for more details.

## Service Intervals

Master E-Tech electric Service: Year 1 / 12,000 miles, Year 2 / 24,000 miles and then every 2 years / 24,000 miles thereafter

Master all other engines and versions: 24,000 miles / 2 years

## Renault Network Services

No-one is better placed than Renault to maintain, fit and repair your Renault, fast. The Renault Minute (maintenance and repair with no appointment necessary) and Renault Rapide Bodycare (bumper scuffs, dings and dents, windscreen, stone chips and interior repairs...) services deliver the highest level of repair and maintenance and offer a full year's guarantee on original Renault parts. Don't forget to have a look at our wide range of additional equipment and accessories!

## Renault iCare

Is an innovative Service, Maintenance & Repair product that supplies Business customers with a fully supported, managed hassle free service and maintenance package.

Renault iCare is a "Pay-As-You-Go" product that insures your vehicle is maintained by Renault technical experts when work is required.

iCare provides the following benefits:

- Full Service, Maintenance & Repair cover in the Renault Dealer Network
  - Tyres can be included within the contract at an additional fixed cost
  - Ancillary equipment can also be included (at an additional fixed monthly cost)
  - Excludes: Damage/Neglect/Abuse/Glass & Bulbs
- A fixed, pre agreed pence per mile rate
- No excess mileage charges at the end of the contract
- No pooled mileage administration
- Minimalise downtime

For more information and to obtain a quote based on your requirements, please speak to your local Renault Business dealer or visit [www.renault.co.uk/icare](http://www.renault.co.uk/icare)

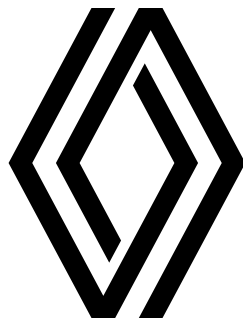
## Customer Relations

Renault knows the value of communicating with its customers and we have established effective ways to keep in touch with you. If, after speaking to your local Renault dealership, you are not completely satisfied, please contact the Renault UK Customer Relations Team on 0344 3350000\* (Mon-Fri 8.00am to 6.00pm, Closed on Bank Holidays. Live Chat Mon-Fri 8.00am to 9.00pm). You can also visit our website [www.renault.co.uk](http://www.renault.co.uk) or write to us at: Renault UK Ltd, The Rivers Office Park, Denham Way, Maple Cross, Rickmansworth, Hertfordshire, WD3 9YS.

## Finance options\*

There are numerous ways that you can finance your new vehicle with Renault. Whether you are a fleet or a private buyer, Renault Finance allows you to tailor your payment plan to your needs and circumstances.





## Configure your Renault Master at [Business.Renault.co.uk](https://Business.Renault.co.uk)

Although every effort has been made to ensure that the information contained within this brochure is as accurate and up to date as possible, Renault U.K. reserves the right to modify its models without notice, including their characteristics, specifications, equipment and accessories. Brochures inevitably become out of date or inaccurate in some respects, in that such characteristics, specifications, equipment or accessories may be changed after the publication date given below and can differ from the descriptions given or the photos displayed. It is therefore necessary to check with your Renault dealer before purchasing any product that the characteristics, specifications, equipment or accessories of the vehicle on order are as advertised.

Publicis - photo credits: M. Hanisch, Prodigious, © Renault Marketing 3D-Commerce, RCD, Pagécran - online only - December 2022.

Renault recommends 

    [renault.co.uk](https://renault.co.uk)