

ISUZU
THE PICK-UP
PROFESSIONALS

THE AWARD-WINNING ISUZU D-MAX

ALL-PURPOSE RANGE



isuzu.co.uk

THE AWARD-WINNING ISUZU D-MAX

ALL-PURPOSE RANGE

The Isuzu D-Max combines smart new styling and improved off-road performance with impressive safety technology. Not only does it deliver the capability and durability you'd expect from an Isuzu pick-up truck, but this tough workhorse now adds superior levels of comfort and refinement.



FIVE YEAR*
125K MILE
WARRANTY

3.5
TONNE
TOWING
CAPACITY

— OVER —
1.0
TONNE
PAYLOAD

164
PS

5 YEAR
UK
& EU
ROADSIDE
ASSISTANCE

12 YEAR
ANTI-CORROSION
WARRANTY

VAT
BACK
QUALIFIED

NO
SPEED
RESTRICTIONS

*5 year / 125,000 miles (whichever comes first) warranty applies to all new Isuzu D-Max models.



“This D-Max is far more refined... it's smoother and quieter...and its cabin is a quantum leap forward.”

4x4 Magazine

SMARTER.

The Isuzu D-Max truly stands out thanks to its distinguishable and powerful appearance.





SMARTER EXTERIOR

The elevated front-end design and sharp contours generate an imposing presence, which is complemented by distinctive 18" alloy wheels and an assertive radiator grille. The rear bumper has an integrated step which provides easier access to the load bed.




SMARTER INTERIOR

The interior has been transformed with a new horizontal and layered dashboard design, giving a more spacious and contemporary feel. This, accompanied by soft-touch panelling and smart detailing, contributes to a more premium interior that's still fuss-free and practical to operate.

STRONGER.

Built to tackle the toughest shift, and true to its unquestionable workhorse pedigree, the Isuzu D-Max delivers outstanding capability and durability.





“Isuzu is renowned for its 4x4 expertise and the All-New D-Max is even more capable off-road.”

Trade Van Driver



OFF-ROAD CAPABILITY

The Isuzu D-Max delivers superior off-road capability thanks to its faster engaging shift-on-the-fly 4WD system and rear diff-lock, which is standard across the All-Purpose range.

800MM WADING DEPTH

The air intake system has been positioned higher in the engine bay, which provides an improved wading depth of up to 800mm.

TOWING & PAYLOAD

The Isuzu D-Max is capable of towing up to 3.5 tonnes and carries an impressive payload of over a tonne, making light work of every-day graft.

SAFER.

Best-in-class safety features—plus a maximum 5 star NCAP rating—take pick-up safety to a whole new level.





REAR RADAR¹



STEREO CAMERA



BLIND SPOT MONITOR¹

ADVANCED DRIVER ASSIST SYSTEMS (ADAS)

FORWARD COLLISION WARNING

Monitors the road ahead and alerts the driver of a potential collision.

AUTONOMOUS EMERGENCY BRAKING

Automatically applies the brakes to either prevent an accident or reduce the severity of an impact depending on speed.

TRAFFIC SIGN RECOGNITION

Reads standard road signs ahead and displays any change in speed limit on the Multi-Information Display.

INTELLIGENT SPEED LIMITER

Keeps vehicle speed below the speed limit of the road it is travelling along.

LANE DEPARTURE WARNING

Alerts the driver if they are about to drift out of their lane.

LANE DEPARTURE PREVENTION SYSTEM

Adjusts steering direction to help prevent lane departure if the vehicle is about to depart its lane without indicating.

REAR CROSS TRAFFIC ALERT¹

Detects vehicles approaching from the left or right while reversing out of a parking space.

EMERGENCY LANE KEEPING¹

If there is a vehicle in the driver's blind spot when changing lanes, the system will adjust the steering direction to prevent the lane change and avoid the collision.

BLIND SPOT MONITOR¹

Detects vehicles in the driver's blind spot and alerts the driver via an orange warning light in the door mirror.

ADAPTIVE CRUISE CONTROL²

Enables the driver to set both the desired speed and the distance to the car in front.

LANE KEEP ASSIST²

Detects lane markings and makes necessary steering adjustment to help keep the vehicle in its lane.

AT PEDAL MISAPPLICATION MITIGATION²

Will suppress engine torque and issue a visual and audible warning if the driver suddenly accelerates in front of an object.

ADAS are driving support systems which may not operate optimally under all driving conditions or for all objects. The driver is always responsible for safe and attentive driving and observance of traffic regulations. See Owner's Manual for complete details on system operation and limitations. ¹Double Cab models only. ²Automatic transmission only.

The image shows the interior of a truck, specifically the driver's side. The dashboard is black with a central infotainment screen. The steering wheel is black with the Isuzu logo. The seats are black with white stitching. The background shows a landscape with mountains and a field of tall grass under a blue sky.

DL20

The Isuzu D-Max DL20 is a versatile grafter that never backs down from a challenge.

DOES EVERYTHING YOU NEED AND MORE.



EXTERIOR

- ❑ Automatic Headlights with High Beam Assist
- ❑ 18" Alloy Wheels - Silver
- ❑ Full Size Spare Wheel
- ❑ Front Fog Lights
- ❑ Automatic Windscreen Wipers with Rain Sensor
- ❑ Tailgate Damper
- ❑ Body Coloured Front Bumper
- ❑ Body Coloured Rear Bumper with Integrated Step

INTERIOR

- ❑ Cloth Upholstery
- ❑ 6-Way Adjustable Driver's Seat (Manual)
- ❑ Driver's Seat Lumbar Support
- ❑ Heated Front Seats
- ❑ Front Centre Armrest
- ❑ Height Adjustable Headrests
- ❑ Driver's Foot Rest
- ❑ Carpet Floor Trim

ENTERTAINMENT

- ❑ DAB Radio
- ❑ Bluetooth® Connectivity
- ❑ CD Player
- ❑ USB Ports
- ❑ Four Speakers

COMFORT & CONVENIENCE

- ❑ Remote Control Central Locking
- ❑ Manual Air Conditioning
- ❑ Height & Reach Adjustable Steering Wheel
- ❑ Steering Wheel Mounted Audio & Cruise Controls
- ❑ Follow Me Home Light
- ❑ 4.2" Multi-Information Display

SAFETY & SECURITY

- ❑ Advanced Driver Assist Systems (ADAS)
- ❑ Rear Differential Lock
- ❑ Cruise Control
- ❑ Rear Parking Sensors
- ❑ Hill Start Assist
- ❑ Hill Descent Control
- ❑ Speed-Sensitive Power Steering



DL40

The Isuzu D-Max DL40 is capable
and uncompromising.

WHATEVER THE WORKLOAD, IT GETS IT DONE IN STYLE.



EXTERIOR

- ❑ Automatic Headlights with High Beam Assist
- ❑ Bi-LED Headlights
- ❑ Chrome Exterior Styling
- ❑ Silver Side Steps
- ❑ 18" Alloy Wheels - Two Tone
- ❑ LED Rear Lights
- ❑ Tailgate Damper

INTERIOR

- ❑ Leather Upholstery*
- ❑ Driver's Seat Lumbar Support (Power)
- ❑ Heated Front Seats
- ❑ 8-Way Adjustable Driver's Seat (Electric)
- ❑ Leather Steering Wheel

ENTERTAINMENT

- ❑ 7" Multifunction Colour Touchscreen
- ❑ Apple CarPlay™ and Android Auto™
- ❑ Six Speakers
- ❑ DAB Radio
- ❑ Bluetooth® Connectivity
- ❑ Front and Rear USB Ports

COMFORT & CONVENIENCE

- ❑ Keyless Entry & Push Button Start System
- ❑ Welcome Light
- ❑ Dual Zone Climate Control
- ❑ Rear Ventilation Panel
- ❑ 4.2" Multi-Information Display
- ❑ Steering Wheel Mounted Audio & Cruise Controls
- ❑ Driver & Passenger Sun Visors with Vanity Mirror

SAFETY & SECURITY

- ❑ Advanced Driver Assist Systems (ADAS)
- ❑ Rear Differential Lock
- ❑ Cruise Control
- ❑ Front & Rear Parking Sensors
- ❑ Reversing Camera
- ❑ Hill Start Assist
- ❑ Hill Descent Control
- ❑ Speed-Sensitive Power Steering

*Leather and other materials.

VEHICLE SPECIFICATION

Key: ■ Standard - Unavailable □ No Cost Option

EXTERIOR	DL20 EXTENDED	DL20 DOUBLE	DL40
Halogen Headlights	■	■	-
Bi-LED Headlights	-	-	■
Halogen Daytime Running Lights	■	■	-
LED Daytime Running Lights	-	-	■
Automatic Headlights	■	■	■
High Beam Assist	■	■	■
LED Rear Lights	-	-	■
Halogen Front Fog Lights	■	■	-
LED Front Fog Lights	-	-	■
Rear Fog Lights	■	■	■
Automatic Windscreen Wipers with Rain Sensor	■	■	■
Heated Rear Screen	■	■	■
Medium Grey Radiator Grille	■	■	-
Chrome Radiator Grille	-	-	■
Body Coloured Front Bumper	■	■	■
Body Coloured Rear Bumper with Integrated Step	■	■	■
Silver Side Steps	-	-	■
Folding, Heated, Body-Coloured Door Mirrors with Side Indicator Repeaters	■	■	-
Folding, Heated, Chrome Door Mirrors with Side Indicator Repeaters	-	-	■
Silver Door Handles	■	■	-
Chrome Door Handles	-	-	■
Integrated Fuel Filler Cap with AdBlue	■	■	■
Tailgate Damper	■	■	■
WHEELS			
18" Alloy Wheels - Silver	■	■	-
18" Alloy Wheels - Two-Tone	-	-	■
Locking Wheel Nuts	■	■	■
Full Size Spare Wheel - Steel	□	□	□

INTERIOR	DL20 EXTENDED	DL20 DOUBLE	DL40
Cloth Upholstery	■	■	-
Leather Upholstery ¹	-	-	■
6-Way Adjustable Driver's Seat (Manual)	■	■	-
8-Way Adjustable Driver's Seat (Electric)	-	-	■
Driver's Seat Lumbar Support (Manual)	■	-	-
Driver's Seat Lumbar Support (Power)	-	■	■
Heated Front Seats	■	■	■
Front Seatback Map Pockets	■	■	■
Flat Folding Rear Seats	-	■	■
60/40 Folding Seat Base	-	■	■
Under Seat Base Storage	■	■	■
Height Adjustable Front Headrests	■	■	■
Height Adjustable Rear Headrests	-	■	■
Front Centre Armrest	■	■	■
Front Cup Holders (Centre Console & Dash - Driver & Passenger Sides)	■	■	■
Front Door Pockets with Bottle Holder	■	■	■
Rear Centre Armrest with Cup Holders	-	■	■
Rear Door Pockets with Bottle Holder	-	■	■
Leather Steering Wheel	-	-	■
Carpet Floor Trim	■	■	■
Driver's Foot Rest	■	■	■
ENTERTAINMENT			
7" Multifunction Colour Touchscreen	-	-	■
Bluetooth® Connectivity	■	■	■
DAB Radio	■	■	■
Apple CarPlay™ & Android Auto™	-	-	■
CD Player	■	■	-
Four Speakers	■	■	-
Six Speakers	-	-	■
Front USB Port	■	■	■
Rear USB Port	-	■	■

¹Leather and other materials. ²Driver side has auto up/down function, with pinch protection and timer. ³ADAS are driving support systems which may not operate optimally under all driving conditions or for all objects. The driver is always responsible for safe and attentive driving and observance of traffic regulations. See Owner's Manual for complete details on system operation and limitations. ⁴Manual & Intelligent Speed Limiter.

COMFORT & CONVENIENCE	DL20 EXTENDED	DL20 DOUBLE	DL40
Remote Control Central Locking	■	■	■
Follow Me Home Light	■	■	■
Keyless Entry & Push Button Start System	-	-	■
Welcome Light	-	-	■
Power Windows (Front Only) ²	■	-	-
Power Windows (Front & Rear) ²	-	■	■
Sun Glass Holder & Overhead Console	■	■	■
Map Lights	■	■	■
Driver & Passenger Sun Visors	■	■	-
Driver & Passenger Sun Visors with Vanity Mirror	-	-	■
Height & Reach Adjustable Steering Wheel	■	■	■
Steering Wheel Mounted Audio & Cruise Controls	■	■	■
12-Volt Power Outlet	■	■	■
Gear Shift Indicator (Manual Only)	■	■	■
4.2" Multi-Information Display	■	■	■
CLIMATE CONTROL			
Manual Air Conditioning	■	■	-
Dual Zone Climate Control	-	-	■
Rear Heating Ducts	■	■	-
Rear Ventilation Panel	-	-	■
ADVANCED DRIVER ASSIST SYSTEMS ³			
Cruise Control	■	■	■
Adaptive Cruise Control (Auto Only)	-	■	■
Forward Collision Warning	■	■	■
Autonomous Emergency Braking	■	■	■
Traffic Sign Recognition	■	■	■
Intelligent Speed Limiter ⁴	■	■	■
Lane Departure Warning & Prevention System	■	■	■
Lane Keep Assist (Auto Only)	-	■	■
AT Pedal Misapplication Mitigation (Auto Only)	-	■	■
Blind Spot Monitor	-	■	■
Emergency Lane Keeping	-	■	■
Rear Cross Traffic Alert	-	■	■

SAFETY & SECURITY	DL20 EXTENDED	DL20 DOUBLE	DL40
Rear Parking Sensors	■	■	-
Front & Rear Parking Sensors	-	-	■
Reversing Camera	-	-	■
Rear Differential Lock	■	■	■
4WD Shift On The Fly	■	■	■
Speed-Sensitive Power Steering	■	■	■
ESC (Electronic Stability Control)	■	■	■
Traction Control	■	■	■
Trailer Sway Control	■	■	■
ABS (Anti-Lock Braking System)	■	■	■
EBD (Electronic Brakeforce Distribution)	■	■	■
Brake Assist System	■	■	■
Hill Start Assist	■	■	■
Hill Descent Control	■	■	■
E-Call	■	■	■
Multi-Collision Brake	■	■	■
Security Etched Glass	■	■	■
Insurance Approved Immobiliser	■	■	■
Alarm with Deadlock	■	■	■
Front, Side, Curtain & Driver Knee SRS Airbags ⁵	■	■	■
Centre SRS Airbag ⁵	-	■	■
Passenger Airbag Deactivation Switch	■	■	■
Height Adjustable Front Seatbelts with Pretensioner & Load Limiter	■	■	■
2 x Three-Point Rear Seatbelts (Side)	■	-	-
3 x Three-Point Rear Seatbelts (Side & Centre)	-	■	■
ISOFIX Child Seat Anchors with Top Tether Anchors (2 x Rear Side)	-	■	■
Rear Door Child Locks	-	■	■
Seatbelt Reminder Indicator (All Seating Positions)	■	■	■
Door Open Warning Light	■	■	■
Stop & Start System ⁶	■	■	■

⁵SRS: Supplemental Restraint System. Must be used in conjunction with seatbelts. ⁶According to conditions, the Stop & Start system will automatically stop and restart the engine when the vehicle comes to a standstill to reduce fuel consumption and emissions.

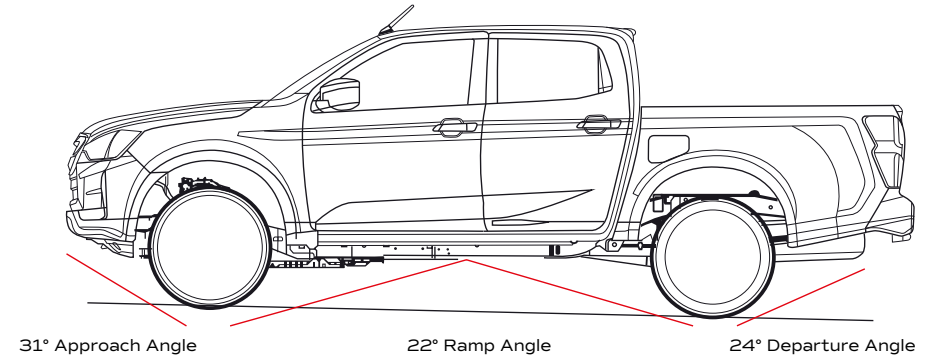
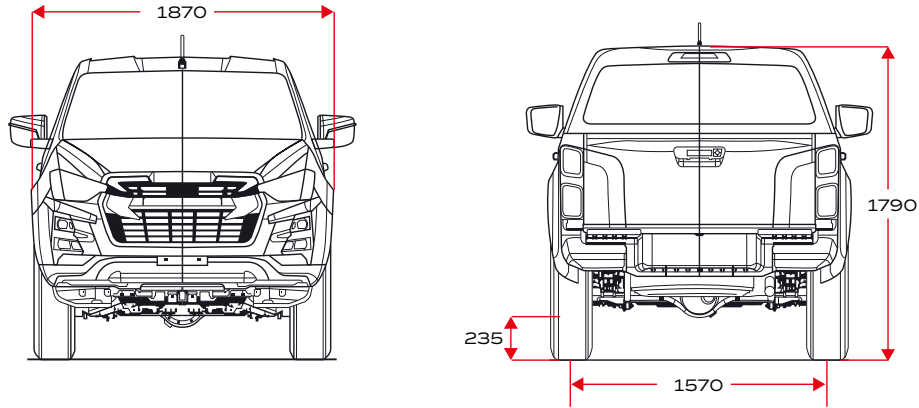
TECHNICAL SPECIFICATION

ENGINE	DL20 EXTENDED MANUAL	DL20 DOUBLE MANUAL	DL20 DOUBLE AUTO	DL40 MANUAL	DL40 AUTO
Engine Type			RZ4E		
Fuel Type			Diesel		
Arrangement Cylinders			4, In line		
Firing Order			1-3-4-2		
Bore mm			80.0		
Stroke mm			94.4		
Compression			15.9		
Engine Capacity cm ³			1898		
Idle Speed			750+/- 25		
Fuel Tank Capacity Litres			76		
GEAR RATIOS					
1	4.942	4.942	3.600	4.942	3.600
2	2.452	2.452	2.090	2.452	2.090
3	1.428	1.428	1.488	1.428	1.488
4	1.000	1.000	1.000	1.000	1.000
5	0.749	0.749	0.687	0.749	0.687
6	0.634	0.634	0.580	0.634	0.580
Reverse	4.597	4.597	3.732	4.597	3.732
Final Drive	4.300	4.300	4.300	4.300	4.300
PERFORMANCE					
Net Power PS @ rpm			164 @ 3600		
Torque Nm @ rpm			360 @ 2000 - 2500		
Maximum Speed (mph)			112		
Acceleration (0-62mph) sec	12.7	12.7	13.0	12.7	13.0
FUEL CONSUMPTION WLTP (MPG) ¹					
Low	27.6	27.6	25.1	27.6	25.1
Mid	36.4	36.4	31.4	36.4	31.4
High	39.4	39.4	36.0	39.4	36.0
Extra-High	30.8	30.8	29.0	30.8	29.0
Combined	33.6	33.6	30.7	33.6	30.7
CO ₂ emissions g/km	220	220	241	220	241
Emissions Class			Euro 6D		

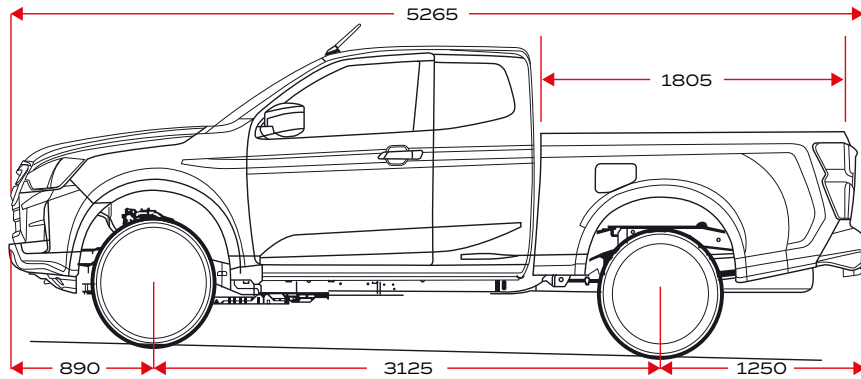
¹MPG figures are EU test figures for comparative purposes and may not reflect real driving results. There is a new WLTP test used for fuel consumption and CO₂ figures. The fuel consumption and CO₂ emissions shown are based on the WLTP testing method. Only compare fuel consumption and CO₂ figures with other vehicles tested to the same technical standard. The fuel consumption you achieve in real life conditions and CO₂ produced will depend upon a number of factors including accessories fitted (post-registration), variations in weather, driving styles and vehicle load etc. ²Maximum payload capacity as defined by HM Revenue and Customs for VAT purposes. Payload is gross vehicle weight minus kerb weight. Kerb weights quoted are for vehicles with standard specification. Kerb weight and payload may be influenced by badge level, factory options and dealer fitted accessories. It is the responsibility of the vehicle operator to ensure their vehicle is legally compliant for road use.

DIMENSIONS (MM)	DL20 EXTENDED MANUAL	DL20 DOUBLE MANUAL	DL20 DOUBLE AUTO	DL40 MANUAL	DL40 AUTO
Length			5265		
Width			1870		
Height			1790		
Front Overhang			890		
Rear Overhang			1250		
Wheelbase			3125		
Track (Front & Rear)			1570		
Ground Clearance (Rear Axle)			235		
Approach Angle (Degrees)			31		
Departure Angle (Degrees)			24		
Ramp Angle (Degrees)			22		
LOAD BED (MM)					
Length	1805	1495	1495	1495	1495
Width	1530	1530	1530	1530	1530
Depth	490	490	490	490	490
WEIGHTS (KG)					
Kerb Weight	1952	1980	2010	2000	2030
Gross Vehicle Weight	3100	3100	3100	3100	3100
Payload ²	1148	1120	1090	1100	1070
Max Front Axle	1450	1450	1450	1450	1450
Max Rear Axle	1910	1910	1910	1910	1910
Trailer Weight Braked	3500	3500	3500	3500	3500
Trailer Weight Unbraked	750	750	750	750	750
Nose Weight	245	245	245	245	245
Gross Train Weight	6000	6000	6000	6000	6000
WHEELS & TYRES					
Tyres			265/60R18		
Wheels			18x7.5 J		

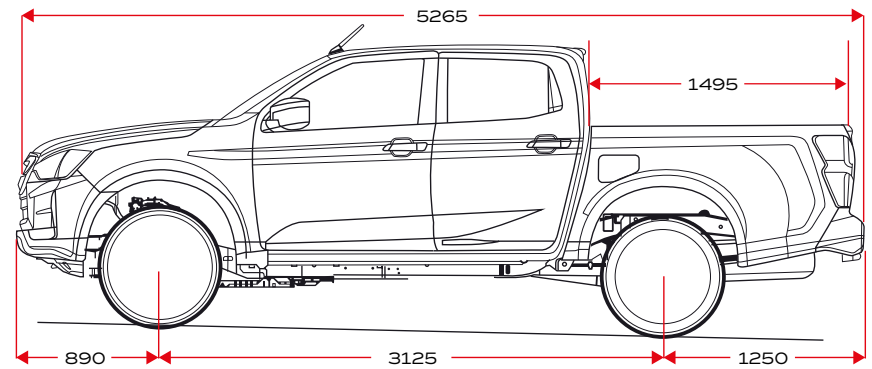
VEHICLE DIMENSIONS



DL20 EXTENDED CAB



DL20 & DL40 DOUBLE CAB



All measurements in mm.

COLOURS



SPLASH WHITE



MERCURY SILVER
METALLIC



OBSIDIAN GREY
MICA



ONYX BLACK
MICA



SPINEL RED
MICA



SAPPHIRE BLUE
MICA
Available for DL40 only



VALENCIA ORANGE
METALLIC
Available for DL40 only

WHEELS & TRIM



DL20 18" Silver Alloy Wheels



DL40 18" Two-Tone Alloy Wheels



DL20 Premium Woven Fabric



DL40 Leather Upholstery*

*Leather and other materials.

ISUZU
THE PICK-UP
PROFESSIONALS



DL20 DL40

isuzu.co.uk



Isuzu (UK) LTD reserve the right to change specifications and equipment without notice. Features and specification may vary in appearance and/or availability. For full details please contact your local Isuzu dealer or visit isuzu.co.uk

Part No. IB553