

DUICATO

100% DUICATO
100% ELECTRIC



PROFESSIONAL



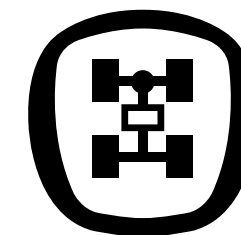
Transportation's world is changing and no one knows how it will affect your job more than **Fiat Professional**. After studying **4,000 vehicles** and **50 million kilometers** traveled over the course of one year, **Fiat Professional** has created a vehicle that is **fit for your mission**.

We wanted our vehicles to give you new opportunities, without giving up any capabilities, because at the end of the day, the work needs to get done.



**A SUSTAINABLE NEW ENERGY
TO GO THE EXTRA MILE.**





MORE THAN

RANGE

**A NEW WAY
TO MOVE.**

PEOPLE MOVERS

CHASSIS CAB

VAN



3450

4035

4035XL

3450

3800

4035

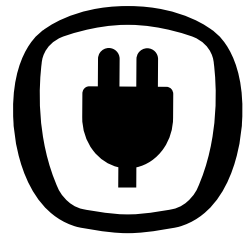
4035XL

3450

4035

4035XL

Ducato is taking its best in class reputation to the field of electric mobility with the widest 100% Electric range in its category. Transportation and mobility are changing, and Fiat Professional has carefully studied 4,000 connected vehicles and over 50 million km's traveled to find which models can benefit from an electric powertrain. From the highly efficient van to the versatile Cab and spacious People Mover, there are more than 80 different configurations to choose from, equipped with a powerful electric motor and automatic transmission. These vehicles carry the forty-year tradition of Ducato's durability and flexibility while setting a new standard for electric capability.



MORE THAN
CHARGING
ENERGY ON THE GO.

Every business functions differently and everyone has different needs. That's why Fiat Professional equipped the new E-Ducato with four different charging options so your business can always stay on the road.

The smart-charge plug fits both AC (alternating current) and DC (direct current) charging configurations. When using an AC setup, E-Ducato gives you the opportunity to choose between a wide range of powers: 7 kW, 11 kW and 22 kW. With the quick charge (AC) and 22 kW power, the estimated charging time for 100 km* in urban is approximately one hour. When needed, the fast charge (DC) with 50 kW power guarantees 100 km* of driving in less than 30 minutes charge.

* Values refer to Van L2H1 version in WLTP City cycle.

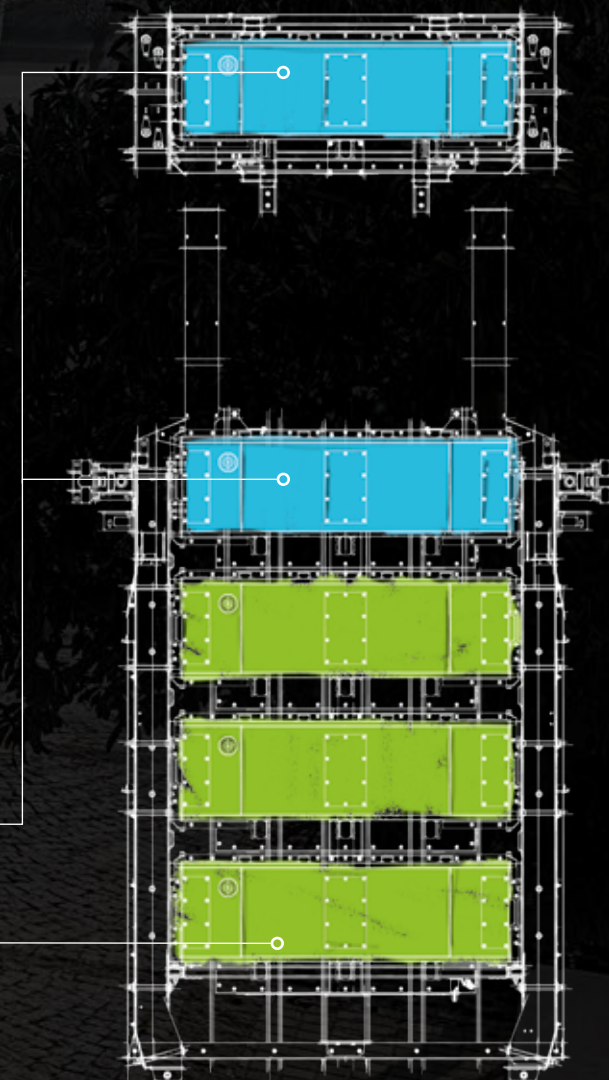


AC CHARGE
7 kW
11kW
22kW



DC CHARGE
50kW

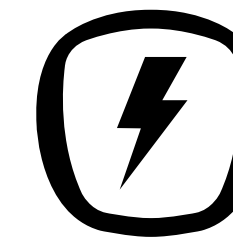




YOUR BATTERIES. YOUR CHOICE.

Fit for mission is more than an idea, it's our philosophy. There are two battery configurations: a pack of three modules, generating 47 kWh and up to 235 km* range, or a pack of five modules, producing 79 kWh and 370 km* range. Consequently, a unique feature characterizes the parallel batteries' architecture: the recovery mode, which allows the vehicle to continue its journey despite a module failure. No one knows what you need better than you, but no one is better at giving you more options than us.

* Values refer to Van L2H1 version in WLTP City cycle.



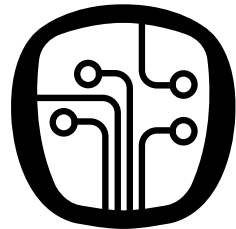
MORE THAN

ELECTRIC

UP TO 370* OF POWER.

Fiat Professional understands the necessity of being ecological, but when the job is on the line, it cannot come at the price of performance or capability. Our job is to help you stay ahead of new business trends, be the vehicle for your future and respect the environment too. Introducing the all-new fully electric Ducato leading the way towards a more green world and new possibilities.

The 90 kW electric engine guarantees impressive performance with a maximum of 280 Nm of torque and speed limited to 100 km/h in order to optimise energy use. Most importantly, the new electric powertrain does not take away from Ducato's trademark quality: best-in-class load volumes from 10 to 17 m³, and payload from 1100 kg to 1950 kg, the best in its category. The vehicle offers also a best-in-class battery size and traveling range for both the 47 kWh and 79 kWh configurations.



MORE THAN TECHNOLOGY

THE TOOLS YOU NEED.

Knowledge is power and Fiat Professional wants to make sure that all the information about your battery is always at your fingertips. The cluster shows different EV features like battery level, eco-index, additional warning lights (e.g. turtle mode, vehicle ready to go), drive mode and eco-coaching indicator. The new control unit is the information hub regarding all the EV features. Carefully track the power flow and charge level at all times to give you extra peace of mind while on the road. The system is organized to show the energy flow with a specific indication of current consumption and the status of the regenerative braking, which helps charge the battery while slowing down. Drivers can receive their driving history in order to see how far they've traveled compared to energy used. Moreover, the new control unit offers additional comfort with smart features like the ability to pre-condition the vehicle to decrease the air conditioning's impact on the battery, and schedule daily charging to take advantage of lower energy costs.



The customer can choose the appropriate Drive Mode to fit specific needs, saving traveling range by optimizing performances:

NORMAL: optimal balance between performance and economy.

ECO: for available range increase.

POWER: facing heavy missions.

Moreover, the driver can also benefit from the e-Coasting/e-Braking features, which increase energy efficiency:

E-COASTING: an energy-saving driving mode that is usually active when the vehicle slows down; in this way the e-motor is not absorbing battery's current.

E-BRAKING: provides vehicle deceleration without brake pedal action; with this mode the e-motor is providing negative torque, in order to recharge the battery.



E-DUCATO IS 100% CONNECT

Whether you are a big company or a small business, your E-DUCATO will be fully connected thanks to Mopar® Connect.

VIA APP: my:Assistant, my:RemoteControl, my:Car (battery state of charge), my:Journey, my:eCharge (charging & AC scheduling)

VIA WEBSITE: My Fleet Manager (monitoring & controlling fleet vehicles in real time)

RAW DATA: interface to the customer Fleet Management Tool





REAR CROSS PATH DETECTION

When in Reverse sensors begin to scan letting you know when vehicles or objects cross your path even when other vehicles may be blocking your view.



FULL BRAKE CONTROL

Radar and video sensors detect whether your Ducato is approaching another vehicle or large obstacle in its path too rapidly and will warn or assist the driver in avoiding/mitigating the incident.



BLIND SPOT ASSIST

These sentry systems continuously monitor the space between you and large objects or other drivers. When a side or rear blind spot is encroached, you're notified via illuminated icons on side-view mirrors or an audible chime.

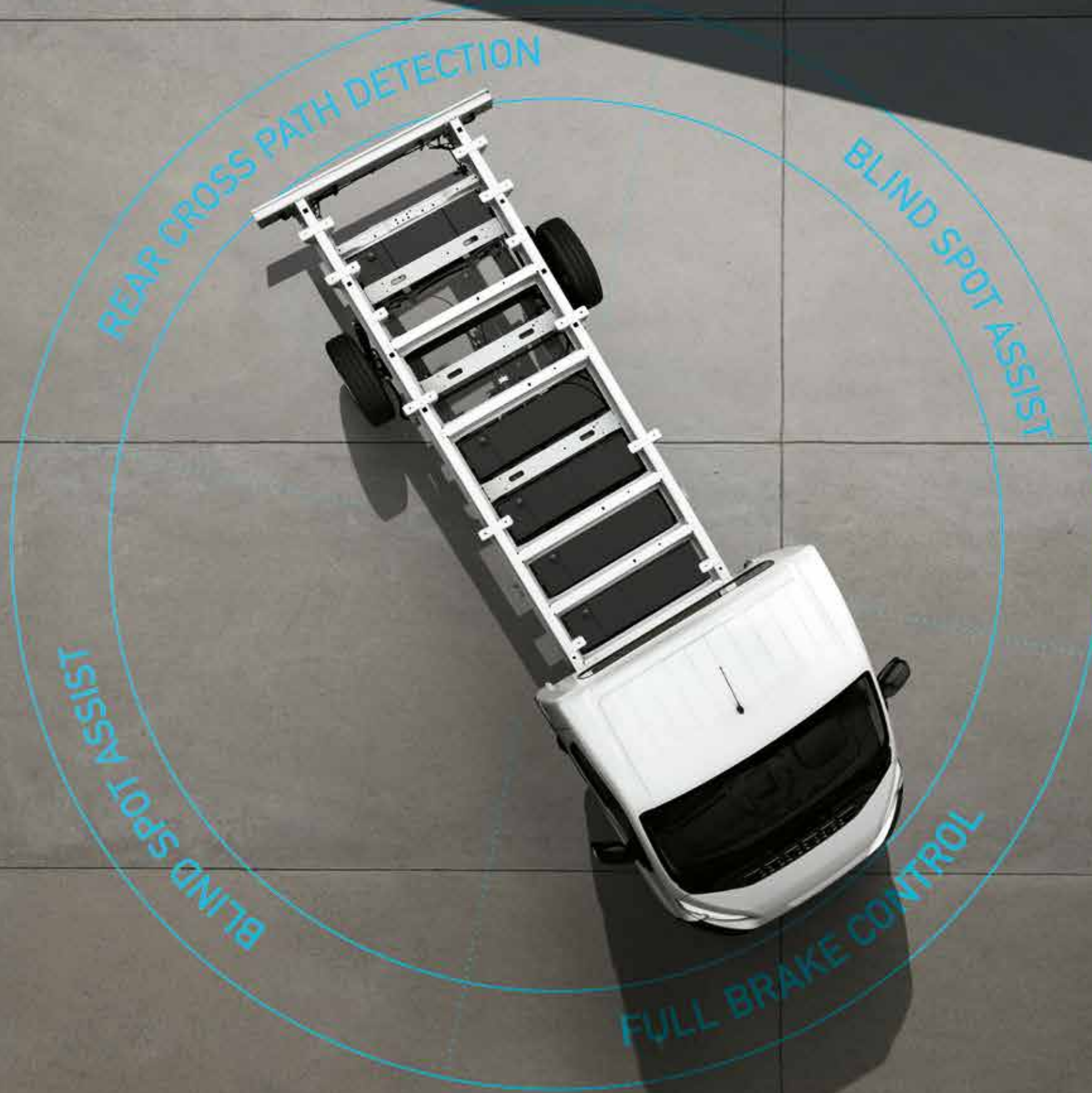


MORE THAN SAFETY PROTECTION THAT COUNTS.

On the job, things can come at you from every direction. Isn't it time you have a vehicle that does more than just transport your tools and cargo?

E-Ducato offers three new innovative Advanced Driver Assistance Systems (ADAS) that include sensors and technologies to help keep you informed and alert about what is happening all around you. Rear Cross Path Detection, Full Brake Control (FBC) and Blind Spot Assist allow you sense vehicles, danger or obstacles even when they are not in front of you.

Such a complete offering of safety features help you stay focused on the road, and remain on the road by drastically reducing the chance of incidents and severe accidents that put you in harm's way and take you off the job.



RAIN AND DUSK SENSOR

TRAFFIC SIGNS RECOGNITION (TSR)

LOAD ADAPTIVE CONTROL

ROLL OVER MITIGATION

TYRE PRESSURE MONITORING SYSTEM

LANE DEPARTURE WARNING SYSTEM

HILL HOLDER

HIGH BEAM RECOGNITION

ELECTRONIC STABILITY CONTROL (ESC)

FOG LIGHTS



157
Grey Crêpe Fabric



157
Crepe Grey Fabric
with upholstered
headrest (opt. 188)



297
Flocked Brown Fabric



266
Techno Leather

SOLID COLOURS

○ 676 Expedition Grey

○ 199 Tiziano Red

○ 549 Ducato White

○ 455 Imperiale Blue

○ 479 Line Blue

METALLIC COLOURS

○ 506 Golden White

○ 611 Aluminium Grey

○ 691 Iron Grey

○ 632 Black

SPECIAL COLOUR

○ 385 Lanzarote Grey



MORE THAN

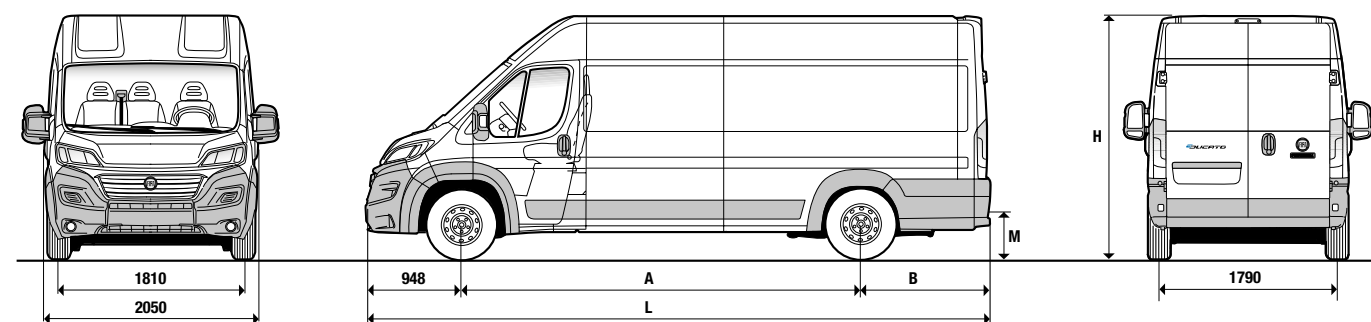
A CHOICE

IT'S YOUR LOOK.



TECHNICAL CHARACTERISTICS

Van 3,5 ton (Panel / Glazed / Half-Glazed)

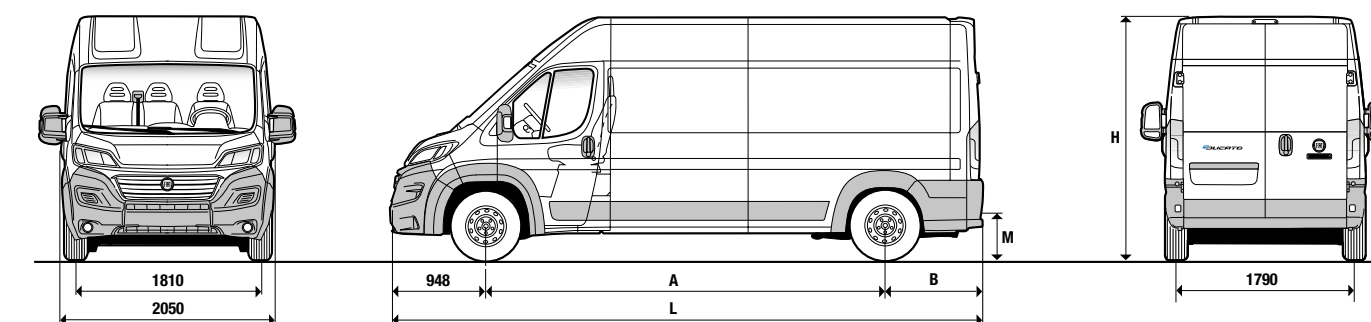


Dimensions mm	Medium Wheelbase		Long Wheelbase		XL Wheelbase	
	H1	H2	H2	H3	H2	H3
A Wheelbase	3450	3450	4035	4035	4035	4035
L Maximum length	5413	5413	5998	5998	6363	6363
Maximum width	2050	2050	2050	2050	2050	2050
Track front / rear	1810 / 1790	1810 / 1790	1810 / 1790	1810 / 1790	1810 / 1790	1810 / 1790
H Maximum height (unladen) 47kW / 79 kW battery	2309 / 2299	2579 / 2569	2579 / 2569	2814 / 2804	2579 / 2569	2814 / 2804
Front overhang	948	948	948	948	948	948
B Rear overhang	1015	1015	1015	1015	1380	1380
Rear Door						
Width	1562	1562	1562	1562	1562	1562
Height	1520	1790	1790	2030	1790	2030
Side Door						
Width	1250	1250	1250	1250	1250	1250
Height	1485	1755	1755	1755	1755	1755
Load compartment						
Maximum length	3120	3120	3705	3705	4070	4070
Maximum width / width between wheel arches	1870 / 1422	1870 / 1422	1870 / 1422	1870 / 1422	1870 / 1422	1870 / 1422
Maximum height	1662	1932	1932	2172	1932	2172
M Load threshold height (unladen) 47kW / 79 kW battery	590 / 580	590 / 580	590 / 580	590 / 580	590 / 580	590 / 580

Volume	10 m ³		11,5 m ³		13 m ³		15 m ³		15 m ³		17 m ³	
	Model Version (Van / Glazed / Half-Glazed)		Model Version (Van / Glazed / Half-Glazed)		Model Version (Van / Glazed / Half-Glazed)		Model Version (Van / Glazed / Half-Glazed)		Model Version (Van / Glazed / Half-Glazed)		Model Version (Van / Glazed / Half-Glazed)	
Gross Vehicle Weight (kg)	3500		3500		3500		3500		3500		3500	
3 modules battery 47 kWh	505.AL0		505.AG0 / AH0 / AX0		505.BG0 / BH0 / BX0		505.BA0		505.CG0 / CH0		505.CA0	
	Kerb weight (kg)	2340	2365	2440	2465	2485	2515					
	Payload (kg)	1160	1135	1060	1035	1015	985					
	WLTP COMBINED range (km)	174	167	165	159	164	158					
	WLTP COMBINED energy cons. (kW/100 km)	29.3	31.0	31.4	32.8	31.6	33.0					
	WLTP CITY range (km)	235	229	225	219	222	216					
	WLTP CITY energy cons. (kW/100 km)	21.7	22.6	23.0	23.8	23.5	24.1					
5 modules battery 79 kWh	505.AL1		505.AG1 / AH1 / AX1		505.BG1 / BH1 / BX1		505.BA1		505.CG1 / CH1		505.CA1	
	Kerb weight (kg)	2655	2680	2735	2760	2780	2810					
	Payload (kg)	845	820	765	740	720	690					
	WLTP COMBINED range (km)	283	272	271	262	269	260					
	WLTP COMBINED energy cons. (kW/100 km)	31.8	33.4	33.6	34.9	33.8	35.1					
	WLTP CITY range (km)	371	362	357	349	353	345					
	WLTP CITY energy cons. (kW/100 km)	24.3	25.1	25.5	26.2	25.8	26.5					

Note: All data (e.g. kerb weight, payload, energy consumption, range, etc.) are referred to standard version without optional equipment. Payload data include driver's weight. The electric range and energy consumption values are defined based on official tests, in conformity with the provisions of the EU Regulations in force at the time of homologation. The indicated values are calculated based on the WLTP test procedure. WLTP COMBINED is made by four sub-cycles: Low, Medium, High & Extra-high. WLTP CITY is made by two sub-cycles: Low & Medium and it is representative of an urban cycle.

Van 4,25 ton (Panel / Glazed / Half-Glazed)



Dimensions mm	Medium Wheelbase		Long Wheelbase		XL Wheelbase	
	H1	H2	H2	H3	H2	H3
A Wheelbase	3450	3450	4035	4035	4035	4035
L Maximum length	5413	5413	5998	5998	6363	6363
Maximum width	2050	2050	2050	2050	2050	2050
Track front / rear	1810 / 1790	1810 / 1790	1810 / 1790	1810 / 1790	1810 / 1790	1810 / 1790
H Maximum height (unladen) 47kW / 79 kW battery	2329 / 2319	2599 / 2589	2599 / 2589	2834 / 2824	2599 / 2589	2834 / 2824
Front overhang	948	948	948	948	948	948
B Rear overhang	1015	1015	1015	1015	1380	1380
Rear Door						
Width	1562	1562	1562	1562	1562	1562
Height	1520	1790	1790	2030	1790	2030
Side Door						
Width	1250	1250	1250	1250	1250	1250
Height	1485	1755	1755	1755	1755	1755
Load compartment						
Maximum length	3120	3120	3705	3705	4070	4070
Maximum width / width between wheel arches	1870 / 1422	1870 / 1422	1870 / 1422	1870 / 1422	1870 / 1422	1870 / 1422
Maximum height	1662	1932	1932	2172	1932	2172
M Load threshold height (unladen) 47kW / 79 kW battery	610 / 600	610 / 600	610 / 600	610 / 600	610 / 600	610 / 600

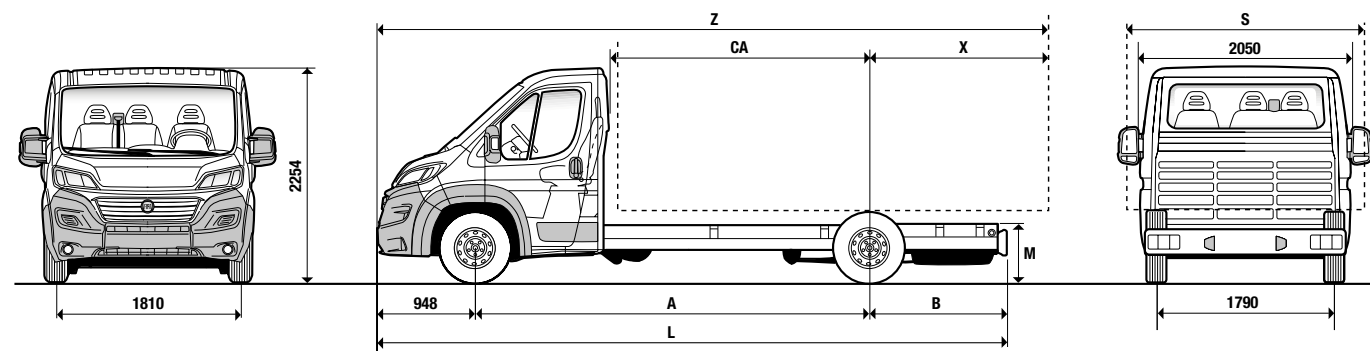
Volume	10 m ³		11,5 m ³		13 m ³		15 m ³		15 m ³		17 m ³	
	Model Version (Van / Glazed / Half-Glazed)		Model Version (Van / Glazed / Half-Glazed)		Model Version (Van / Glazed / Half-Glazed)		Model Version (Van / Glazed / Half-Glazed)		Model Version (Van / Glazed / Half-Glazed)		Model Version (Van / Glazed / Half-Glazed)	
Gross Vehicle Weight (kg)	4250		4250		4250		4250		4250		4250	
3 modules battery 47 kWh	505.FL0		505.FG0 / FH0 / FX0		505.GG0 / GH0 / GX0		505.GA0 / GB0		505.HG0 / HH0		505.HA0	
	Kerb weight (kg)	2340	2365	2440	2465	2485	2515					
	Payload (kg)	1910	1885	1810	1785	1765	1735					
	WLTP COMBINED range (km)	159	152	150	144	149	143					
	WLTP COMBINED energy cons. (kW/100 km)	32.8	34.5	34.9	36.3	35.1	36.5					
	WLTP CITY range (km)	203	197	192	186	189	183					
	WLTP CITY energy cons. (kW/100 km)	25.7	26.6	27.3	28.1	27.7	28.5					
5 modules battery 79 kWh	505.FL1		505.FG1 / FH1 / FX1		505.GG1 / GH1 / GX1		505.GA1		505.HG1 / HH1		505.HA1	
	Kerb weight (kg)	2655	2680	2735	2760	2780	2810					
	Payload (kg)	1595	1570	1515	1490	1470	1440					
	WLTP COMBINED range (km)	260	249	247	238	245	237					
	WLTP COMBINED energy cons. (kW/100 km)	35.2	36.8	37.1	38.4	37.3	38.6					
	WLTP CITY range (km)	321	311	306	298	302	293					
	WLTP CITY energy cons. (kW/100 km)	28.5	29.5	29.9	30.7	30.4	31.2					

Vehicles type-approved in category N2 are limited to 90 km/h.

Note: All data (e.g. kerb weight, payload, energy consumption, range, etc.) are referred to standard version without optional equipment. Payload data include driver's weight. The electric range and energy consumption values are defined based on official tests, in conformity with the provisions of the EU Regulations in force at the time of homologation. The indicated values are calculated based on the WLTP test procedure. WLTP COMBINED is made by four sub-cycles: Low, Medium, High & Extra-high. WLTP CITY is made by two sub-cycles: Low & Medium and it is representative of an urban cycle.

TECHNICAL CHARACTERISTICS

Chassis Cab (3,5 ton - 4,25 ton)



Dimensions mm	Medium Wheelbase	Medium-Long Wheelbase	Long Wheelbase	XL Wheelbase
A Wheelbase	3450	3800	4035	4035
L Maximum length	5358	5708	5943	6308
Maximum width	2050	2050	2050	2050
Front track	1810	1810	1810	1810
Rear track	1790	1790	1790	1790
Maximum height (unladen)	2254	2254	2254	2254
Front overhang	948	948	948	948
B Rear overhang	960	960	960	1325
M Chassis height (unladen) 3,5 ton - 47kW / 79 kW battery	690 / 680	690 / 680	690 / 680	690 / 680
M Chassis height (unladen) 4,25 ton - 47kW / 79 kW battery	710 / 700	710 / 700	710 / 700	710 / 700
X Rear axle span at the level of the bodywork (finished trim overhang limit)	2070	2280	2400	2400
CA Rear cab span on rear axle	2060	2410	2645	2645
S Max. chassis width	2350	2350	2350	2350
Z Max. length with outfit	6468	7028	7383	7383

Wheelbase	Medium Wheelbase	Medium-Long Wheelbase	Long Wheelbase	XL Wheelbase	
Gross Vehicle Weight (kg)	3500	3500	3500	3500	
3,5 ton	3 modules battery 47 kWh	Model Version 505.AC0	505.LC0	505.BC0	505.CC0
	Kerb weight (kg)	2065	2075	2090	2105
4,25 ton	5 modules battery 79 kWh	Model Version 505.AC1	505.LC1	505.BC1	505.CC1
	Kerb weight (kg)	2380	2390	2385	2400
Gross Vehicle Weight (kg)	4250	4250	4250	4250	
3,5 ton	3 modules battery 47 kWh	Model Version 505.FC0 / FS0	505.PC0	505.GC0 / GS0	505.HC0 / HS0
	Kerb weight (kg)	2065	2075	2090	2105
4,25 ton	5 modules battery 79 kWh	Model Version 505.FC1 / FS1	505.PC1	505.GC1 / GS1	505.HC1 / HS1
	Kerb weight (kg)	2380		2385	2400
Max Permitted Weight on Front Axle (kg)	2100	2100	2100	2100	
Max Permitted Weight on Rear Axle (kg)	2400	2400	2400	2400	
WLTP COMBINED range (km)					
WLTP COMBINED energy cons. (kW/100 km)					
WLTP CITY range (km)					
WLTP CITY energy cons. (kW/100 km)					

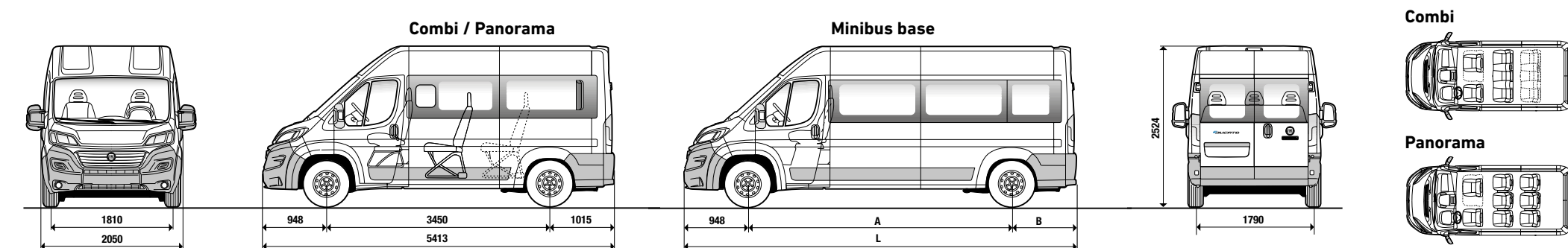
Vehicles type-approved in category N2 are limited to 90 km/h.

Note: Kerb weight is referred to standard version without optional equipment

The electric range and energy consumption values are defined based on official tests, in conformity with the provisions of the EU Regulations in force at the time of homologation. The indicated values are calculated based on the WLTP test procedure. WLTP COMBINED is made by four sub-cycles: Low, Medium, High & Extra-high. WLTP CITY is made by two sub-cycles: Low & Medium and it is representative of an urban cycle.

■ Linked to door mirrors opt. 042 – 2200 mm with opt. 036 – 2100 mm with standard door mirrors

Combi / Panorama / Minibus Base



Dimensions mm	Combi - 47 KW	People Mover Combi - 79 KW	Panorama - 47 KW	Minibus Base for Conversion			
				Long Wheelbase - 47 kWh	Long Wheelbase - 79 kWh	XL Wheelbase - 47 kWh	XL Wheelbase - 79 kWh
Wheelbase	3450	3450	3450	4035	4035	4035	4035
Maximum length	5413	5413	5413	5998	5998	6363	6363
Maximum width	2050	2050	2050	2050	2050	2050	2050
Front track	1810 / 1790	1810 / 1790	1810 / 1790	1810 / 1790	1810 / 1790	1810 / 1790	1810 / 1790
H Maximum height (unladen)	2599	2589	2599	2599	2589	2599	2589
Front overhang	948	948	948	948	948	948	948
B Rear overhang	1015	1015	1015	1015	1015	1015	1015
Rear Door							
Width	1562	1562	1562	1562	1562	1562	1562
Height	1790	1790	1790	1790	1790	1790	1790
Side Door							
Width	1250	1250	1250	1250	1250	1250	1250
Height	1755	1755	1755	1755	1755	1755	1755
Load compartment							
Maximum length	2159 (5/6 seats) 1259 (8/9 seats)	2159 (5/6 seats) 1259 (8/9 seats)	1038 (8/9 seats)	3705	3705	4070	4070
Maximum width	1860 / 1254	1860 / 1254	1350 / 1250	1860 / 1400	1860 / 1400	1860 / 1400	1860 / 1400
Maximum width / width between wheel arches	1788	1788	1788	1932	1932	1932	1932
Maximum height	1788	1788	1788	1932	1932	1932	1932

Battery size	3 modules - 47 KW	5 modules - 79 KW	3 modules - 47 KW	3 modules - 47 KW	5 modules - 79 KW	3 modules - 47 KW	5 modules - 79 KW
Gross Vehicle Weight (kg)	3500	3500	3500	3500 - 4250	3500 - 4250	3500 - 4250	3500 - 4250
Model Version (Glazed / Half-Glazed 3,5 ton / 4,25)	505.AJ0 / AZ0	505.AJ1 / AZ1	505.AQ0	-	-	-	-
Kerb weight (kg)	2515	2830	2745	2440	2735	2485	2780
Payload	Total	985	670	755			
	5 seats	610	295	380			
	6 seats (opt 293)	535	220	305			
	8 seats (opt 965)*	385	70	155			
	9 seats (opt 293 + 965)	310		80			
WLTP COMBINED range (km)	167	271	162				
WLTP COMBINED energy cons. (kW/100 km)	31.0	33.6	32.1				
WLTP CITY range (km)	229	358	214				
WLTP CITY energy cons. (kW/100 km)	22.6	25.4	24.3				

Data depend on Conversion

* Panorama standard configuration is 8 seats (opt 965 not available)

Note: All data (e.g. kerb weight, payload, energy consumption, range, etc.) are referred to standard version without optional equipment. Payload data include driver's weight.

The electric range and energy consumption values are defined based on official tests, in conformity with the provisions of the EU Regulations in force at the time of homologation. The indicated values are calculated based on the WLTP test procedure. WLTP COMBINED is made by four sub-cycles: Low, Medium, High & Extra-high. WLTP CITY is made by two sub-cycles: Low & Medium and it is representative of an urban cycle.



A PRO LIKE YOU



www.fiatprofessional.com