

Best viewed in landscape mode



T H E



# THE BMW 7 SERIES

RETURN BY CLICKING   
SELECT A TOPIC BELOW TO EXPLORE:

INSPIRATION



IMAGINATION



INFORMATION



INNOVATION



Content correct at time of publishing (as of January 2021). Prices and technical data subject to change. The models shown on these pages may feature optional equipment. Standard equipment may also vary depending on engine variant. For further details, please contact your local BMW Centre.



"THE BMW 7 SERIES BOASTS SOME OF THE WORLD'S MOST ADVANCED SAFETY TECHNOLOGY."

Carbuyer, August 2020

[Read the full review here](#)

INSPIRATION



FOR THOSE WHO DRIVE THE WORLD

## EXTERIOR DESIGN



### A NEW HORIZON

A thin light strip positioned below the Chrome band stretches across the entire width seamlessly connecting the tail lights. This gives the vehicle a highly distinctive and modern appearance.



### WIDE STANCE, EXCEPTIONAL PRESENCE

The rear of the BMW 7 Series is extremely wide and self-confident on the road. A Chrome trim around the tailpipes with horizontal connection creates a particularly elegant appearance, while the sharp contouring of the sides emphasises the sportiness of the vehicle.



### SLIM DESIGN, MAXIMUM EFFECT: THE HEADLIGHTS

Expertly designed, the front headlights extend into a clearly flattened curve towards the Kidney grille. Decorative lines on the sides of the standard BMW Icon Adaptive Headlights emphasise their depth and high quality.

### ELEGANT SILHOUETTE

On the side, the vertical Air breather emphasises the presence of the BMW 7 Series. From here, a Chrome trim down the side, beginning vertically and extending beyond the rear wheel arch. It also underlines the elongated, elegant side view of the BMW 7 Series.

## INTERIOR DESIGN



### SKY LOUNGE PANORAMIC GLASS SUNROOF

The Sky Lounge Panoramic glass sunroof, exclusively available for long wheelbase models as part of the optional Ultimate Pack, has integrated LED light graphics that provide a colourful, atmospheric and luxurious light setting. Six pre-defined colours can be selected, as per the ambient light colour setting selected in the iDrive menu, to create an atmospheric mood at night. The graphic surfaces are barely visible in daylight.



### ELECTRIC SUNBLINDS FOR REAR WINDSCREEN AND REAR SIDE WINDOWS

Electric sunblinds for the rear windscreen and rear side windows provide protection from direct sunlight and help to keep the interior from heating up too quickly. An ambient highlight in White is also included in the rear doors. Light intensity can be controlled via a capacitive touch sensor or via the light setting in the optional BMW Touch Command, this function is exclusively available for long wheelbase models. Only available with the electric sunblind for the rear windscreen. Also included within optional Ultimate Pack.



### EXECUTIVE LOUNGE SEATING

Pure luxury for the rear-seats, the Executive Lounge Seating provides the passenger seated behind the front passenger with a high degree of comfort thanks to maximised leg room. The seat and backrest angle can be adjusted to create a comfortable relaxation position. An electrically extending footrest on the front passenger backrest increases comfort even further. Exclusively available on long wheelbase models, as part of Rear Seat Comfort Plus Pack or Ultimate Pack.

# M SPORT

MODELS



The BMW 7 Series M Sport model is shown above in Donington Grey metallic paint with optional 20" M Star-spoke style 817 M wheels in Bicolour.

# M SPORT

## MODELS



### M SPORT HIGHLIGHTS

In addition / replacement to respective 730d

#### EXTERIOR

- 19" M light alloy Double-spoke style 647 M wheels, Bicolour
- 20" M light alloy Star-spoke style 817 M wheels, Bicolour (750i xDrive only)
- M aerodynamics package
- Exterior trim, High-gloss Shadowline
- Run-flat tyres

#### INTERIOR

- M Sport leather steering wheel, three-spoke
- Interior trim, Finition Black wood, High-gloss with Metal effect
- Headlining, Anthracite



The BMW 7 Series M Sport model is shown above in Donington Grey metallic paint with optional 20" M Star-spoke style 817 M wheels in Bicolour.



# THE BMW 7 SERIES

MODELS



The BMW 7 Series is shown above in Bernina Grey metallic paint with optional 20" Multi-spoke style 777 wheels in Bicolour.

# THE BMW 7 SERIES

## MODELS

### 750i xDRIVE HIGHLIGHTS

In addition / replacement to 730d

- 19" light alloy Double-spoke style 630 wheels, Bicolour
- BMW TwinPower Turbo eight-cylinder petrol engine
- xDrive

### LONG WHEELBASE HIGHLIGHTS

In addition / replacement to 730d

- Electric glass sunroof
- Roller sunblind for rear window, electric



### 730d HIGHLIGHTS

#### EXTERIOR

- 18" light alloy Multi-spoke style 619 wheels
- Comfort Access with smart-opener
- Soft-close doors
- Metallic paintwork
- Bootlid operation, powered

#### INTERIOR

- Air conditioning, automatic with four-zone control
- Seat heating, front and rear
- Climate Control windscreen
- Comfort seats, front
- Ceramic finish for controls
- Instrument panel, leather
- Interior trim, Fineline wood, High-gloss
- Sport leather steering wheel, three-spoke

#### SAFETY & TECHNOLOGY

- 48V Mild Hybrid Technology
- BMW Icon Adaptive LED Headlights
- High-beam Assistant

- Parking Assistant Plus
- Drive Recorder
- Cruise Control with braking function
- Active Guard
- Eight-speed Sport automatic transmission with electronic gear selector and Steptronic

#### AUDIO & COMMUNICATION

- BMW Gesture Control
- BMW Live Cockpit Professional, comprising:
  - 12.3" Control Display with split screen Function
  - 12.3" Digital Instrument Display
  - BMW Intelligent Personal Assistant
  - BMW Operating System 7.0
  - iDrive Controller with Touch Function
  - Intelligent Functionalities
  - Remote Software Upgrade
- Connected Package Professional
- Enhanced Bluetooth with wireless charging, USB audio interface and Voice Control
- Loudspeaker system – harman/kardon
- CD Player

# THE BMW 745e & 745Le xDRIVE

## MODELS



[Click here](#) to discover the key benefits of the BMW PHEV range.

The BMW 745e model is shown above in Mineral White metallic paint with optional 20" M Star-spoke style 817 M wheels in Jet Black. ^ = Dependent on the local electricity infrastructure. Charging time corresponds to a charge of 80% of maximum capacity and based on a single-phase supply current of max 32A. \* = These figures were obtained using a combination of battery power and fuel. The BMW 745e and BMW 745Le xDrive are plug-in hybrid vehicles requiring mains electricity for charging. Figures shown are for comparability purposes. Only compare fuel consumption, CO<sub>2</sub> and electric range figures with other cars tested to the same technical procedures. These figures may not reflect real life driving results, which will depend upon a number of factors including the starting charge of the battery, accessories fitted (post-registration), variations in weather, driving styles and vehicle load. CO<sub>2</sub> figures shown are weighted combined.



Pure electric range of up to 31.1-34.2 miles (28.0-31.1 miles for 745Le xDrive)\*



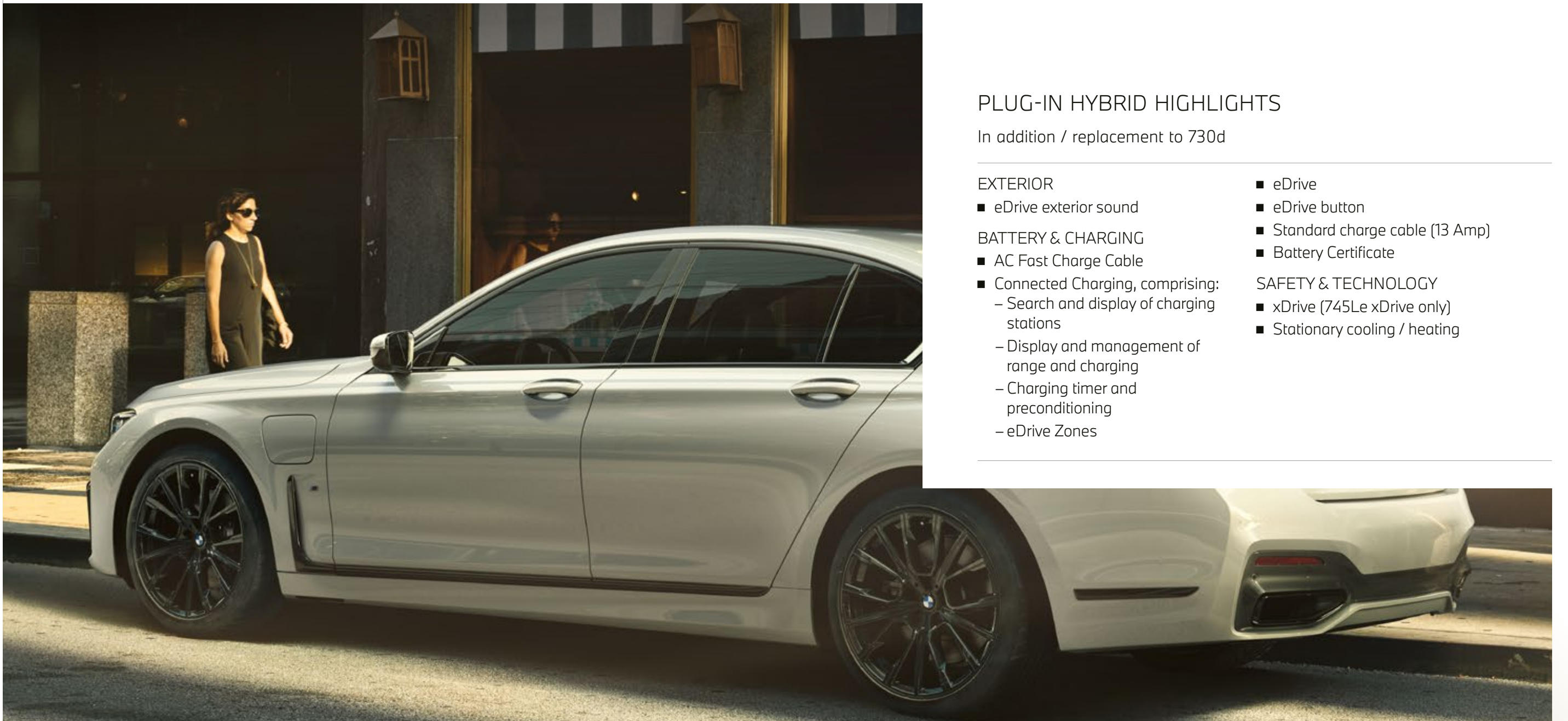
Charging time 0-80% in <2.6 hours (based on a current of 16A)^



Low CO<sub>2</sub> emissions from 48-41g/km (56-49g/km for 745Le xDrive)\*

# THE BMW 745e & 745Le xDRIVE

## MODELS



### PLUG-IN HYBRID HIGHLIGHTS

In addition / replacement to 730d

#### EXTERIOR

- eDrive exterior sound

#### BATTERY & CHARGING

- AC Fast Charge Cable
- Connected Charging, comprising:
  - Search and display of charging stations
  - Display and management of range and charging
  - Charging timer and preconditioning
  - eDrive Zones

- eDrive
- eDrive button
- Standard charge cable (13 Amp)
- Battery Certificate

#### SAFETY & TECHNOLOGY

- xDrive (745Le xDrive only)
- Stationary cooling / heating



[Click here](#) to discover the key benefits of the BMW PHEV range.

The BMW 745e model is shown above in Mineral White metallic paint with optional 20" M Star-spoke style 817 M wheels in Jet Black. ^ = Dependent on the local electricity infrastructure. Charging time corresponds to a charge of 80% of maximum capacity and based on a single-phase supply current of max 32A. \* = These figures were obtained using a combination of battery power and fuel. The BMW 745e and BMW 745Le xDrive are plug-in hybrid vehicles requiring mains electricity for charging. Figures shown are for comparability purposes. Only compare fuel consumption, CO<sub>2</sub> and electric range figures with other cars tested to the same technical procedures. These figures may not reflect real life driving results, which will depend upon a number of factors including the starting charge of the battery, accessories fitted (post-registration), variations in weather, driving styles and vehicle load. CO<sub>2</sub> figures shown are weighted combined.



Pure electric range of up to 31.1-34.2 miles (28.0-31.1 miles for 745Le xDrive)\*



Charging time 0-80% in <2.6 hours (based on a current of 16A)^



Low CO<sub>2</sub> emissions from 48-41g/km (56-49g/km for 745Le xDrive)\*

INNOVATION



VISIONARY INTELLIGENCE

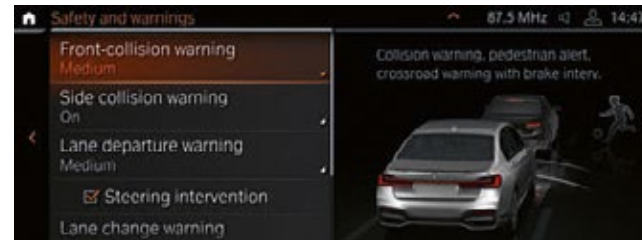
# DRIVER ASSISTANCE HIGHLIGHTS

## PARKING ASSISTANT PLUS

Parking Assistant Plus makes parking your BMW 7 Series easier. It includes convenient functions that support you, such as the Rear-view camera which provides a clearer view behind the vehicle when reversing. This is perfectly paired with the Reversing Assistant that aids you whilst completing certain maneuvers, for example down narrow lanes. You will also receive increased protection against damage caused by parking thanks to Active Park Distance Control. Finally, the Parking Assistant function parks the vehicle automatically, parallel or perpendicular to the street, and leaves parallel parking spaces.

## REMOTE CONTROL PARKING

Remote control parking function allows you to park your BMW into and out of tight lateral parking spaces using the remote control. Once outside the vehicle, the function can be activated with the BMW Display key. The driver is outside the vehicle during the parking process. The position of the vehicle to the longitudinal axis of the parking space can deviate very slightly. Activation of the function is possible up to a maximum 5% downhill/uphill gradients. Exclusively available with Technology Plus Pack or Ultimate Pack. Not available for 745e or 745Le xDrive models.



## DRIVING ASSISTANT PROFESSIONAL

Driving Assistant Professional offers you optimum comfort and safety during monotonous or complex traffic situations. Its generous selection of features utilises camera or radar based driver assistance functions to ensure you feel most secure whilst on the road. Intuitive features, such as Lane Change Assistant, offer assistance for comfortable and automatic lane changing via a long press of the indicator. Other features, such as Wrong-way Warning, detects 'no entry' signs on motorways, at roundabouts and at one-way roads. For further details about the functionality of Driving Assistant Professional, please speak to your local BMW Centre. Exclusively available with Technology Plus and Ultimate Pack.

## SPEED LIMIT ASSIST

The Automatic Speed Limit Assist adapts the Active Cruise control dynamically to upcoming speed limits. These are determined along the probable route by the navigation system and checked by the camera. The information provided is continuously updated by the entire fleet. Available as part of optional Driving Assistant Professional.



## CONNECTIVITY AND INFOTAINMENT HIGHLIGHTS

### BMW LIVE COCKPIT PROFESSIONAL

The BMW Live Cockpit Professional includes a high-quality display cluster consisting of a 12.3" Control Display and a fully digital 12.3" Instrument Display.



### BMW INTELLIGENT PERSONAL ASSISTANT

Communicate with your vehicle using the BMW Intelligent Personal Assistant. It knows you, develops its understanding every day and helps out whatever the situation. You can assign your own personal activation word. It can explain everything about your car and helps you to get to know your BMW even better. Active and available for three years. Renewable thereafter.

### CONNECTED NAVIGATION

Connected Navigation offers customers an unrivalled navigation experience on their off-board touchpoints as well as a unique in-car experience. Get proactive suggestions based on your behaviour and share locations from other apps including Google and Apple maps. Part of the Connected Package Professional. Available on a three-year subscription. Renewable thereafter.



### REMOTE SOFTWARE UPGRADE

With BMW Connected you can easily download available vehicle software via your smartphone. Upgrades are installed over-the-air, just as they are for your smartphone. In this way, other functions in your vehicle can also be initiated. Active and available for three years. Renewable thereafter.



## COMFORT AND FUNCTIONALITY



### REAR-SEAT ENTERTAINMENT EXPERIENCE WITH BMW TOUCH COMMAND

Access your BMW 7 Series' entertainment functions thanks to the Rear-seat entertainment Experience with BMW Touch Command. The feature includes two tiltable 10" screens in the rear with Blu-ray drive. You can ensure you have the best entertainment for the rear-seats thanks to separate connection options via HDMI, MHL and USB. The system is operated via a touch function on the screen and a 7" tablet (BMW Touch Command). Exclusively available as part of Entertainment and Ultimate Packs.

### THE BOWERS & WILKINS DIAMOND SURROUND SOUND SYSTEM

Offering additional luxury, the Bowers & Wilkins Diamond Surround Sound System features 16 speakers and a fully active 10-channel amplifier with a 1400W output. This set-up provides outstanding studio-quality sound for all seats in the car. Available as a single cost option or as part of Ultimate Pack.



### FRONT COMFORT SEATS

The Comfort seats at the front can be electrically and manually adjusted in various ways. They also include lumbar support and memory function as well as automatic dipping of the passenger door mirror upon selecting reverse gear for parking.





IMAGINATION



A NEW ECHELON OF  
DRIVING PLEASURE

# BMW INDIVIDUAL



Let your chosen BMW 7 Series be inspired by BMW Individual.

Choose from a wide range of high-quality, sophisticated interior and exterior options to create exactly the BMW 7 Series you've always dreamed of. Because with BMW Individual anything is possible.

BMW Individual. More diversity.  
More exclusivity. More personality.  
[Click here](#) to find out more.

BMW Individual Frozen paint finishes, available for your BMW 7 Series, stand out from the crowd with their silky sheen, characteristically recognisable at first glance. Shown here in BMW Individual Frozen Dark Silver, the sleek matt surface is particularly expressive. Your BMW Centre will be pleased to discuss all available paint choices with you.



The BMW Individual Piano Black interior trim illustrates the exceptional nature of the materials selected for BMW Individual and their meticulous workmanship.



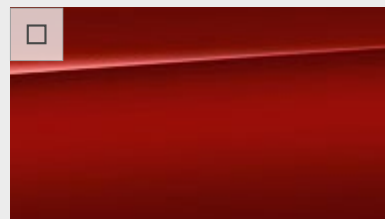
The door sill with BMW Individual lettering, already indicates the particularly selected taste when the doors are opened. In combination with the optional BMW Individual Full Merino leather upholstery, it also underlines the clear claim to excellence of BMW Individual.

# EXTERIOR COLOURS

## BMW INDIVIDUAL



BMW Individual Tanzanite Blue metallic



BMW Individual Aventurine Red metallic<sup>1</sup>



BMW Individual Frozen Bluestone metallic

<sup>1</sup> = Only available in conjunction with BMW Individual door sill finishers on Non-M Sport models.

## EXCLUSIVELY FOR M SPORT MODELS

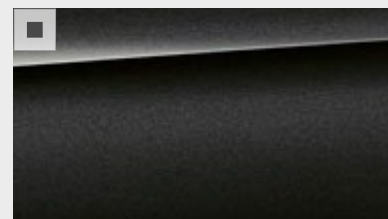


Metallic Carbon Black



Metallic Donington Grey

## EXCLUSIVELY FOR NON-M SPORT MODELS



Metallic Sophisto Grey



Metallic Cashmere Silver

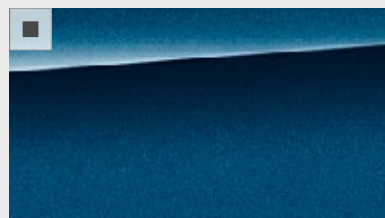
## ALL MODELS



Metallic Black Sapphire



Non-metallic Alpine White



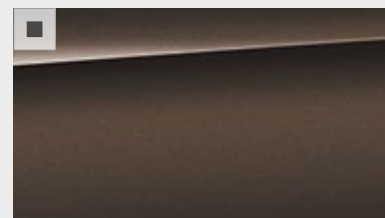
Metallic Phytonic Blue



Metallic Bernina Grey



Metallic Mineral White



Metallic Dravit Grey

## BMW INDIVIDUAL SPECIAL REQUEST



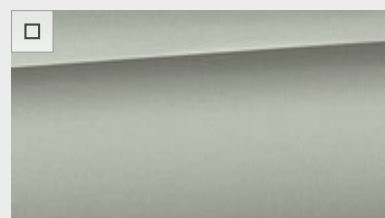
BMW Individual Brilliant White metallic



BMW Individual Pure Metal Silver metallic



BMW Individual Frozen Arctic Grey metallic



BMW Individual Frozen Dark Silver metallic

Available upon special request, please consult your BMW Centre for more information.

**Colour samples** These colour samples are intended as an initial guide to the colours and materials available for your BMW. However, experience has shown that printed versions of paint, upholstery and interior trim colours cannot in all cases faithfully reproduce the appearance of the original colour. Please discuss your preferred colour choices with your BMW Centre. There you can also see original samples and be assisted with any requests.

■ Standard equipment □ Optional equipment

# INTERIOR COLOURS

## LEATHER



Exclusive Nappa leather  
Cognac / Black colour world



Exclusive Nappa leather  
Black / Black colour world



Exclusive Nappa leather  
Canberra Beige / Canberra  
Beige colour world



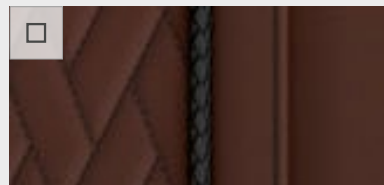
Exclusive Nappa leather  
Ivory White / Black colour  
world



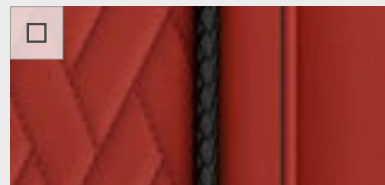
Exclusive Nappa leather  
Black with M piping / Black  
colour world<sup>1</sup>

<sup>1</sup> = Exclusively available for M Sport models.

## BMW INDIVIDUAL LEATHER



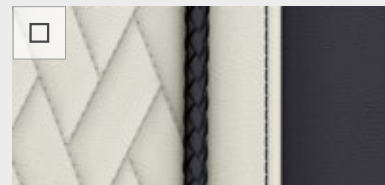
Full Merino leather Amarone  
/ Black colour world<sup>2,3</sup>



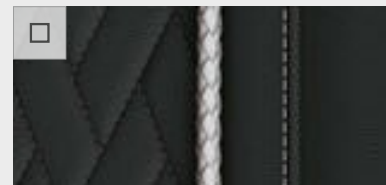
Full Merino leather Fiona  
Red / Black colour world<sup>2,3</sup>



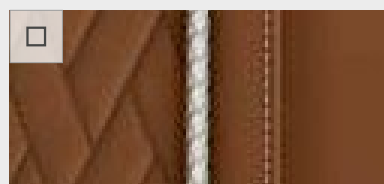
Full Merino leather  
Smoke White / Black colour  
world<sup>2,3,4</sup>



Full Merino leather in Smoke  
White / Night Blue / Black  
colour world<sup>3,4,5</sup>



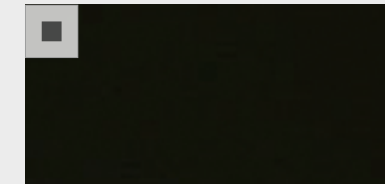
Full Merino leather Black /  
Black colour world<sup>2,3</sup>



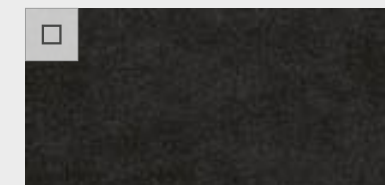
Full Merino leather Tartufo /  
Black colour world<sup>2,3</sup>

<sup>2</sup> = Non-M Sport models: only available in conjunction with Anthracite or Anthracite Alcantara headlining and BMW Individual door sill finisher. <sup>3</sup> = Only available in conjunction with the Comfort Plus Pack / Ultimate Pack. <sup>4</sup> = Only with BMW Individual Alcantara headlining. <sup>5</sup> = Only with Rear Seat Comfort Pack / Rear Seat Comfort Plus Pack + M leather steering wheel, Midnight Blue.

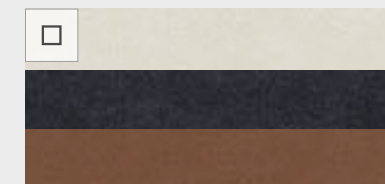
## HEADLININGS



Anthracite<sup>8</sup>



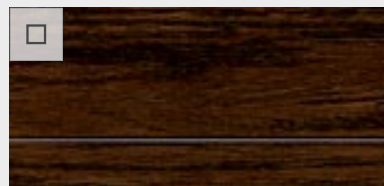
Anthracite Alcantara<sup>9</sup>



BMW Individual Alcantara  
(in Smoke White, Night Blue  
or Tartufo)<sup>9,10</sup>

<sup>8</sup> = Standard for M Sport models only.  
<sup>9</sup> = Standard wheelbase models: only available in conjunction with Electric glass sunroof. <sup>10</sup> = Headlining colour matching upholstery colour. Only available in conjunction with BMW Individual Full Merino leather upholstery in Smoke White, Smoke White / Night Blue or Tartufo.

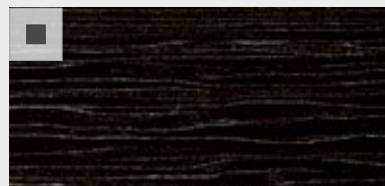
## INTERIOR TRIMS



Dark Finewood American  
Oak with metal inlay



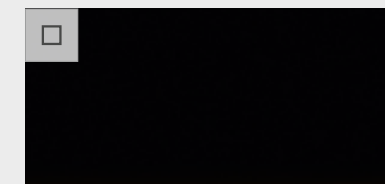
Fineline wood, High-gloss<sup>6</sup>



Fineline Black wood, High-gloss  
with Metal effect<sup>7</sup>

<sup>6</sup> = Standard for non-M Sport models only. <sup>7</sup> = Standard for M Sport models only.

## BMW INDIVIDUAL INTERIOR TRIM

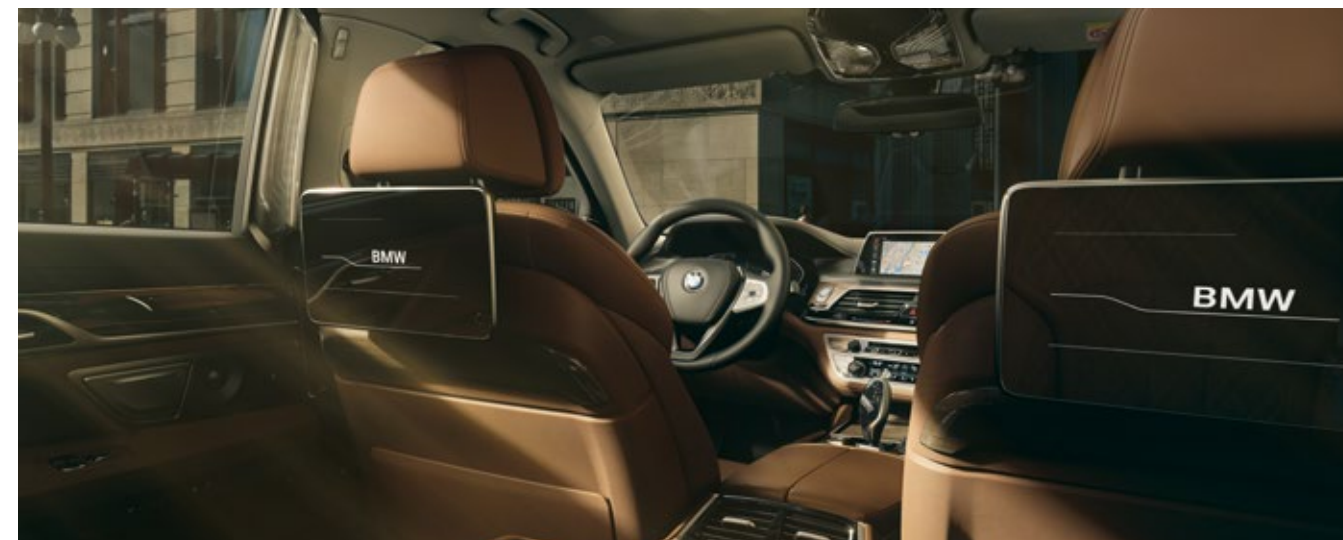


Piano Black

Please note that even normal long or short-term use can lead to permanent upholstery damage. This can be caused in particular by non-colourfast clothing.

■ Standard equipment □ Optional equipment

# PACKAGES



## ULTIMATE PACK

Ambient Air  
 Bowers & Wilkins Diamond Surround Sound System  
 Climate Comfort laminated glass  
 Comfort seats, rear  
 Driving Assistant Professional<sup>1</sup>  
 Executive Drive Pro (excludes 745e or 745e xDrive)  
 Exterior trim, Extended High-gloss Shadowline  
 Laserlights  
 M rear spoiler  
 M seat belts  
 M Sport exhaust system (750i xDrive only)  
 M Sport braking system, High-gloss Blue  
 Massage function, front  
 Massage function, rear  
 Head-up Display  
 Headlining, Anthracite Alcantara  
 Heat comfort package, front and rear  
 Integral Active Steering  
 Rear-seat Entertainment Experience with BMW Touch Command

Remote Control Parking (excludes 745e or 745e xDrive)  
 Seat ventilation, front  
 Sun protection glass  
 Sunblind – rear windscreen, electric  
 Sunblinds – rear windscreen and rear side windows, electric  
 TV Function Plus

### ALTERNATIVE CONTENT

M Sport braking system, High-gloss Black

### EXCLUSIVELY FOR STANDARD WHEELBASE MODELS

Electric glass sunroof

### EXCLUSIVELY FOR LONG WHEELBASE MODELS

Executive Lounge Seating  
 Executive Lounge rear console  
 Seat ventilation, rear  
 Sky Lounge Panoramic glass sunroof

<sup>1</sup> = When ordered in combination with BMW Individual paintwork, certain functions under the Lane keeping assistant are deactivated. For further details, please speak to your local BMW Centre.



## VISIBILITY PACK

Visibility Pack includes Laserlights, these feature three lighting levels and include LED low and high-beam headlights with laser module (above 45mph [72km/h]), position lights, daytime driving lights, direction indicators, cornering lights and Adaptive headlights. They include BMW Selective Beam (the dazzle-free high-beam assistant from BMW). The laser module for high-beam headlights doubles the light intensity compared to Bi-LED (more than 500m light emitted from Blue high-performance laser diodes is concentrated to White light with high intensity on a small phosphor plate). Includes specific design elements and exclusive BMW Laserlights designation.



# PACKAGES



## TECHNOLOGY PLUS PACK

Including a range of Driving Assistance systems, Technology Plus Pack supports you in numerous driving and parking situations ensuring that you are supported on the road.

- |   |   |
|---|---|
| Driving Assistant Professional <sup>1</sup> : | – Speed-limit Assist                            |
| – City Collision Mitigation                   | – Adaptive Distance Control                     |
| – Forward Collision Warning                   | – Active Lane Guidance                          |
| – Lane Change Warning                         | Head-up Display                                 |
| – Lane Departure Warning                      | Remote Control Parking (excludes 745e or 745Le) |
| – Preventive Pedestrian Protection            |   |

Only with BMW Display key. <sup>1</sup> = When ordered in combination with BMW Individual paintwork, certain functions under the Lane keeping assistant are deactivated. For further details, please speak to your local BMW Centre.



## COMFORT PLUS PACK

Providing superior comfort, convenience and practicality, Comfort Plus Pack offers a tailored combination of luxury equipment. Contents include:

- Ambient Air
- Climate Comfort laminated glass
- Massage function, front
- Seat ventilation, front



## M SPORT PRO PACK

Exclusively available for M Sport models, the M Sport Pro Pack enhances driving dynamics with the combination of BMW advanced technology and M Sport performance options.

- |  |  |
|--|--|
| 20" M light alloy Star-spoke style 817 M wheels in Bicolour (excludes 750i xDrive) | M Sport exhaust system (750i xDrive only)        |
| Exterior trim, Extended High-gloss Shadowline                                      | Sun protection glass                             |
| M rear spoiler   | AVAILABLE AT AN ADDITIONAL COST                  |
| M seat belts   | 20" M Star-spoke style 817 M wheels in Jet Black |
| M Sport braking system, High-gloss Blue  | ALTERNATIVE CONTENT                              |
|  | M Sport braking system, High-gloss Black         |

# INFORMATION



EXCEPTIONAL PRESENCE

# PRICING INFORMATION

## PETROL & PLUG-IN HYBRID ELECTRIC VEHICLES



740i	740i M Sport	740Li	740Li M Sport	745e	745e M Sport	745Le xDrive	745Le xDrive M Sport	750i xDrive	750i xDrive M Sport
------	--------------	-------	---------------	------	--------------	--------------	----------------------	-------------	---------------------

Basic price (excluding VAT)	£60,820.83	£64,154.17	£64,154.17	£67,487.50	£65,654.17	£68,987.50	£71,287.50	£74,620.83	£70,591.67	£73,975.00
VAT 20%	£12,164.17	£12,830.83	£12,830.83	£13,497.50	£13,130.83	£13,797.50	£14,257.50	£14,924.17	£14,118.33	£14,795.00
RRP (including VAT)	£72,985	£76,985	£76,985	£80,985	£78,785	£82,785	£85,545	£89,545	£84,710	£88,770
On the road price from	£74,760	£78,760	£78,760	£82,760	£79,690	£83,690	£86,450	£90,465	£87,465	£91,525
P11d value – Automatic	£73,835	£77,835	£77,835	£81,835	£79,635	£83,635	£86,395	£90,395	£85,560	£89,620
BIK tax rate (2020 / 2021)	37%	37%	37%	37%	10%	10%	14%-10%	14%-13%	37%	37%
Insurance group	48	48	48	49	50	50	50	50	50	50
RDE2 Compliant (Y / N)	Y	Y	Y	Y	Y	Y	Y	Y	Y	Y

### PRICES AND SPECIFICATIONS

BMW (UK) Limited reserves the right to alter prices and specifications without notice. BMW (UK) Limited has made every effort to ensure the accuracy of information but does not accept liability for any errors or omissions.

### VED RATES

Annual VED (second year onwards), for cars costing over £40,000, is payable for five years. VED rates for brand new cars are determined by their CO<sub>2</sub> emissions figure. First year VED applies to the first year of ownership. Annual VED rates apply thereafter. The BMW 7 Series models fall into one of the categories listed below:

CO <sub>2</sub> emissions – combined (g/km)	1-50	51-75	76-90	91-100	101-110	111-130	131-150	151-170	171-190	191-225	226-255	Over 255
First year VED (petrol and RDE2 diesel)	£10	£25	£110	£135	£155	£175	£215	£540	£870	£1,305	£1,850	£2,175
First year VED (alternative fuel vehicles)	£0	£15	£100	£125	£145	£165	£205	£530	£860	£1,295	£1,840	£2,165
Annual VED – second year onwards (standard rate for petrol and diesel)	£150	£150	£150	£150	£150	£150	£150	£150	£150	£150	£150	£150
Annual VED – second year onwards (standard rate for alternative fuel vehicles)	£140	£140	£140	£140	£140	£140	£140	£140	£140	£140	£140	£140
Annual VED – second year onwards (petrol and diesel cars over £40,000)	£475	£475	£475	£475	£475	£475	£475	£475	£475	£475	£475	£475
Annual VED – second year onwards (alternative fuel vehicles over £40,000)	£465	£465	£465	£465	£465	£465	£465	£465	£465	£465	£465	£465

### ON THE ROAD PRICE

The recommended on the road price includes:

Delivery and BMW Emergency Service	£825
Number plates	£25
Vehicle first registration fee	£55
First year Vehicle Excise Duty	See left

Figures shown are for comparability purposes. Only compare fuel consumption, CO<sub>2</sub> and electric range figures with other cars tested to the same technical procedures. These figures may not reflect real life driving results, which will depend upon a number of factors including the starting charge of the battery, accessories fitted (post-registration), variations in weather, driving styles and vehicle load. The CO<sub>2</sub> figures have been determined according to the WLTP test. WLTP has been used as the applicable CO<sub>2</sub> figure from 1 April 2020 for first year vehicle tax (VED) and from 6 April 2020 for company car tax (BIK). The CO<sub>2</sub> figures were previously based on the NEDC equivalent. Insurance group figures refer to 50 Group Rating System.



# PRICING INFORMATION

## DIESEL



730d	730d M Sport	730d xDrive	730d xDrive M Sport	730Ld	730Ld M Sport	740d xDrive	740d xDrive M Sport	740Ld xDrive	740Ld xDrive M Sport
------	--------------	-------------	---------------------	-------	---------------	-------------	---------------------	--------------	----------------------

Basic price (excluding VAT)	£58,845.83	£62,179.17	£61,129.17	£64,512.50	£62,179.17	£65,512.50	£65,495.83	£68,879.17	£68,829.17	£72,212.50
VAT 20%	£11,769.17	£12,435.83	£12,225.83	£12,902.50	£12,435.83	£13,102.50	£13,099.17	£13,775.83	£13,765.83	£14,442.50
RRP (including VAT)	£70,615	£74,615	£73,355	£77,415	£74,615	£78,615	£78,595	£82,655	£82,595	£86,655
On the road price from	£71,725	£75,725	£74,790	£78,850	£75,725	£79,725	£80,030	£84,090	£84,030	£88,090
P11d value – Automatic	£71,465	£75,465	£74,205	£78,265	£75,465	£79,465	£79,445	£83,505	£83,445	£87,505
BIK tax rate (2020 / 2021)	34%-32%	35%-31%	36%-34%	37%-34%	35%-32%	35%-32%	37%-34%	37%-34%	37%-34%	37%-34%
Insurance group	50	50	50	50	50	50	50	50	50	50
RDE2 Compliant (Y / N)	Y	Y	Y	Y	Y	Y	Y	Y	Y	Y

### PRICES AND SPECIFICATIONS

BMW (UK) Limited reserves the right to alter prices and specifications without notice. BMW (UK) Limited has made every effort to ensure the accuracy of information but does not accept liability for any errors or omissions.

### VED RATES

Annual VED (second year onwards), for cars costing over £40,000, is payable for five years. VED rates for brand new cars are determined by their CO<sub>2</sub> emissions figure. First year VED applies to the first year of ownership. Annual VED rates apply thereafter. The BMW 7 Series models fall into one of the categories listed below:

CO <sub>2</sub> emissions – combined (g/km)	1-50	51-75	76-90	91-100	101-110	111-130	131-150	151-170	171-190	191-225	226-255	Over 255
First year VED (petrol and RDE2 diesel)	£10	£25	£110	£135	£155	£175	£215	£540	£870	£1,305	£1,850	£2,175
Annual VED – second year onwards (standard rate for petrol and diesel)	£150	£150	£150	£150	£150	£150	£150	£150	£150	£150	£150	£150
Annual VED – second year onwards (petrol and diesel cars over £40,000)	£475	£475	£475	£475	£475	£475	£475	£475	£475	£475	£475	£475

### ON THE ROAD PRICE

The recommended on the road price includes:

Delivery and BMW Emergency Service	£825
Number plates	£25
Vehicle first registration fee	£55
First year Vehicle Excise Duty	See left

Figures shown are for comparability purposes. Only compare fuel consumption, CO<sub>2</sub> and electric range figures with other cars tested to the same technical procedures. These figures may not reflect real life driving results, which will depend upon a number of factors including accessories fitted (post-registration), variations in weather, driving styles and vehicle load. The CO<sub>2</sub> figures have been determined according to the WLTP test. WLTP has been used as the applicable CO<sub>2</sub> figure from 1 April 2020 for first year vehicle tax (VED) and from 6 April 2020 for company car tax (BIK). The CO<sub>2</sub> figures were previously based on the NEDC equivalent. Insurance group figures refer to 50 Group Rating System.

# TECHNICAL INFORMATION

## PETROL & PLUG-IN HYBRID ELECTRIC VEHICLES



740i	740i M Sport	740Li	740Li M Sport	745e	745e M Sport	745Le xDrive	745Le xDrive M Sport	750i xDrive	750i xDrive M Sport
------	--------------	-------	---------------	------	--------------	--------------	----------------------	-------------	---------------------

Power output (hp)	333	333	333	333	286 <sup>^</sup>	286 <sup>^</sup>	286 <sup>^</sup>	286 <sup>^</sup>	530	530
0-62mph / 0-100km/h (secs)	5.5	5.5	5.6	5.6	5.2	5.2	5.1	5.1	4.0	4.0
Fuel consumption – combined (mpg)*	33.2-35.8	33.2-34.4	32.8-35.3	32.5-34.0	134.5-156.9**	134.5-141.2**	117.7-134.5**	117.7-122.8**	26.2-26.9	25.9-26.6
Fuel consumption – combined (l/100km)*	8.5-7.9	8.5-8.2	8.6-8.0	8.7-8.3	2.1-1.8**	2.1-2.0**	2.4-2.1**	2.4-2.3**	10.8-10.5	10.9-10.6
CO <sub>2</sub> emissions – combined (g/km)*	193-180	194-187	197-183	198-190	48-41**	48-45**	55-49**	56-53**	247-241	248-243
Electric energy consumption – weighted combined (miles / kWh)*	-	-	-	-	3.3-3.5	3.3-3.4	3.1-3.2	3.1-3.2	-	-
Electric energy consumption – weighted combined (km / kWh)*	-	-	-	-	18.7-17.8	18.8-18.4	20.0-19.3	20.1-19.7	-	-
Equivalent all-electric range (miles)*	-	-	-	-	31.1-34.2	31.1-32.3	28.6-31.1	28.0-29.2	-	-
Equivalent all-electric range (km)*	-	-	-	-	50.0-55.0	50.0-52.0	46.0-50.0	45.0-47.0	-	-
Mild Hybrid Technology <sup>†</sup> (Y / N)	N	N	N	N	N	N	N	N	N	N

CO<sub>2</sub> value will vary dependent on vehicle specification. Build your BMW and view the CO<sub>2</sub> figure for your chosen model [here](#). \* = For Plug-in Hybrid Electric Vehicles these figures were obtained using a combination of battery power and fuel. Plug-in Hybrid Electric Vehicles require mains electricity for charging. Figures shown are for comparability purposes. Only compare fuel consumption, CO<sub>2</sub> and electric range figures with other cars tested to the same technical procedures. These figures may not reflect real life driving results, which will depend upon a number of factors including the starting charge of the battery, accessories fitted (post-registration), variations in weather, driving styles and vehicle load. The CO<sub>2</sub> figures shown above have been determined according to the WLTP test. WLTP has been used as the applicable CO<sub>2</sub> figure from 1 April 2020 for first year vehicle tax (VED) and from 6 April 2020 for company car tax (BIK). The CO<sub>2</sub> figures were previously based on the NEDC equivalent. <sup>^</sup> = Combined power from Petrol and Electric engines. \*\* = Figures are weighted combined. <sup>†</sup> = 48V Mild Hybrid Technology provides many benefits including improved recovery of kinetic energy during braking and support of the combustion engine when accelerating. This helps to reduce CO<sub>2</sub> emissions whilst improving fuel consumption and performance.

# TECHNICAL INFORMATION

## DIESEL



730d	730d M Sport	730d xDrive	730d xDrive M Sport	730Ld	730Ld M Sport	740d xDrive	740d xDrive M Sport	740Ld xDrive	740Ld xDrive M Sport
------	--------------	-------------	---------------------	-------	---------------	-------------	---------------------	--------------	----------------------

Power output (hp)	286	286	286	286	286	286	340	340	340	340
0-62mph / 0-100km/h (secs)	5.9	5.9	5.6	5.6	6.0	6.0	5.0	5.0	5.1	5.1
Fuel consumption – combined (mpg)*	46.3-50.4	46.3-51.4	43.5-47.1	43.5-47.9	46.3-49.6	45.6-50.4	43.5-47.1	43.5-47.1	42.8-46.3	42.8-46.3
Fuel consumption – combined (l/100km)*	6.1-5.6	6.1-5.5	6.5-6.0	6.5-5.9	6.1-5.7	6.2-5.6	6.5-6.0	6.5-6.0	6.6-6.1	6.6-6.1
CO <sub>2</sub> emissions – combined (g/km)*	159-147	160-144	169-158	170-155	161-148	162-145	170-158	171-158	172-159	174-159
Mild Hybrid Technology† (Y / N)	Y	Y	Y	Y	Y	Y	Y	Y	Y	Y

CO<sub>2</sub> value will vary dependent on vehicle specification. Build your BMW and view the CO<sub>2</sub> figure for your chosen model [here](#). \* = Figures shown are for comparability purposes. Only compare fuel consumption, CO<sub>2</sub> and electric range figures with other cars tested to the same technical procedures. These figures may not reflect real life driving results, which will depend upon a number of factors including accessories fitted (post-registration), variations in weather, driving styles and vehicle load. The CO<sub>2</sub> figures shown above have been determined according to the WLTP test. WLTP has been used as the applicable CO<sub>2</sub> figure from 1 April 2020 for first year vehicle tax (VED) and from 6 April 2020 for company car tax (BIK). The CO<sub>2</sub> figures were previously based on the NEDC equivalent. † = 48V Mild Hybrid Technology provides many benefits including improved recovery of kinetic energy during braking and support of the combustion engine when accelerating. This helps to reduce CO<sub>2</sub> emissions whilst improving fuel consumption and performance.

# OPTIONAL EQUIPMENT PRICING



	730d	730d M Sport	730d xDrive	730d xDrive M Sport	740d xDrive	740d xDrive M Sport	740i	740i M Sport	745e	745e M Sport	750i xDrive	750i xDrive M Sport	730Ld	730Ld M Sport	740Ld xDrive	740Ld xDrive M Sport	740Li	740Li M Sport	745Le xDrive	745Le xDrive M Sport	Price
--	------	--------------	-------------	---------------------	-------------	---------------------	------	--------------	------	--------------	-------------	---------------------	-------	---------------	--------------	----------------------	-------	---------------	--------------	----------------------	-------

## PAINTWORK

Metallic Available in Black Sapphire, Bernina Grey, Carbon Black <sup>1</sup> , Cashmere Silver <sup>2</sup> , Donington Grey <sup>1</sup> , Dravit Grey, Mineral White, Phytanic Blue or Sophisto Grey <sup>2</sup>	■	■	■	■	■	■	■	■	■	■	■	■	■	■	■	■	■	■	■	■	Std
Non-metallic Available in Alpine White	□	□	□	□	□	□	□	□	□	□	□	□	□	□	□	□	□	□	□	□	£0
BMW Individual metallic Available in Aventurine Red <sup>3</sup> or Tanzanite Blue	□	□	□	□	□	□	□	□	□	□	□	□	□	□	□	□	□	□	□	□	£995
Available in Frozen Bluestone	□	□	□	□	□	□	□	□	□	□	□	□	□	□	□	□	□	□	□	□	£2,495
Other bespoke paints available upon special request <sup>4</sup>	□	□	□	□	□	□	□	□	□	□	□	□	□	□	□	□	□	□	□	□	POA

## UPHOLSTERY

Exclusive Nappa leather Available in Black, Black with M piping <sup>1,5</sup> , Canberra Beige (Canberra Beige colour world), Cognac or Ivory White	■	■	■	■	■	■	■	■	■	■	■	■	■	■	■	■	■	■	■	■	Std
BMW Individual Full Merino leather Available in Amarone <sup>6</sup> , Black <sup>6</sup> , Fiona Red <sup>6</sup> , Smoke White <sup>6,7</sup> , Smoke White/Night Blue <sup>8</sup> or Tartufo <sup>6</sup> Only with Door sill finishers with BMW Individual designation (Non-M Sport models only) Only with Comfort Plus Pack / Ultimate Pack	□	□	□	□	□	□	□	□	□	□	□	□	□	□	□	□	□	□	□	□	£6,995

Only with = these options must be ordered together / = Indicates 'or' <sup>1</sup> = Only available for M Sport models. <sup>2</sup> = Not available for M Sport models. <sup>3</sup> = Only with BMW Individual door sill finishers on non-M Sport models. <sup>4</sup> = When ordered in combination with Driving Assistant Professional certain functions under the Lane keeping assistant are deactivated. For further details, please speak to your local BMW Centre. <sup>5</sup> = Only available with M Sport Pro Pack. <sup>6</sup> = Only with Anthracite headlining / Anthracite Alcantara headlining. <sup>7</sup> = Only with BMW Individual Alcantara headlining. <sup>8</sup> = Only with Rear Seat Comfort Pack / Rear Seat Comfort Plus Pack + M leather steering wheel, Midnight Blue.

■ Standard equipment □ Optional equipment - Not available



	730d	730d M Sport	730d xDrive	730d xDrive M Sport	740d xDrive	740d xDrive M Sport	740i	740i M Sport	745e	745e M Sport	750i xDrive	750i xDrive M Sport	730Ld	730Ld M Sport	740Ld xDrive	740Ld xDrive M Sport	740Li	740Li M Sport	745Le xDrive	745Le xDrive M Sport	Price
--	------	--------------	-------------	---------------------	-------------	---------------------	------	--------------	------	--------------	-------------	---------------------	-------	---------------	--------------	----------------------	-------	---------------	--------------	----------------------	-------

INTERIOR TRIMS

Fineline wood, High-gloss	■	-	■	-	■	-	■	-	■	-	■	-	■	-	■	-	■	-	■	-	Std
Fineline Black wood, High-gloss with Metal effect	□	■	□	■	□	■	□	■	□	■	□	■	□	■	□	■	□	■	□	■	£560
Dark Finewood American Oak with metal inlay	□	-	□	-	□	-	□	-	□	-	□	-	□	-	□	-	□	-	□	-	£560
	-	□	-	□	-	□	-	□	-	□	-	□	-	□	-	□	-	□	-	□	£0

BMW INDIVIDUAL INTERIOR TRIM

Piano Black	□	-	□	-	□	-	□	-	□	-	□	-	□	-	□	-	□	-	□	-	£995
	-	□	-	□	-	□	-	□	-	□	-	□	-	□	-	□	-	□	-	□	£560

STEERING & CHASSIS

Executive Drive Pro	□	□	□	□	□	□	□	□	-	-	□	□	□	□	□	□	□	□	-	-	£2,450
Integral Active Steering	□	□	□	□	□	□	□	□	□	□	□	□	□	□	□	□	□	□	□	□	£1,195
Run-flat tyres	□	■	□	■	□	■	□	■	□	■	□	■	□	■	□	■	□	■	□	■	£0

BMW EFFICIENT DYNAMICS

Active Air Stream Kidney grille	■	■	■	■	■	■	■	■	■	■	■	■	■	■	■	■	■	■	■	■	Std
Auto Start-Stop	■	■	■	■	■	■	■	■	■	■	■	■	■	■	■	■	■	■	■	■	Std
BMW Carbon Core	■	■	■	■	■	■	■	■	■	■	■	■	■	■	■	■	■	■	■	■	Std
Brake Energy Regeneration	■	■	■	■	■	■	■	■	■	■	■	■	■	■	■	■	■	■	■	■	Std
ECO PRO mode	■	■	■	■	■	■	■	■	■	■	■	■	■	■	■	■	■	■	■	■	Std
Electric Power Steering (EPS) with Servotronic	■	■	■	■	■	■	■	■	■	■	■	■	■	■	■	■	■	■	■	■	Std

Individual BMW EfficientDynamics features may be excluded, depending on the optional equipment chosen. Your BMW Centre will be pleased to provide you with more information.

SAFETY & TECHNOLOGY

Parking Assistant Plus Comprises: – Active Park Distance Control – Lateral Parking aid – Parking Assistant – Rear view camera – Remote 3D View – Reversing Assistant – Surround View	■	■	■	■	■	■	■	■	■	■	■	■	■	■	■	■	■	■	■	■	Std
--	---	---	---	---	---	---	---	---	---	---	---	---	---	---	---	---	---	---	---	---	-----



730d	730d M Sport	730d xDrive	730d xDrive M Sport	740d xDrive	740d xDrive M Sport	740i	740i M Sport	745e	745e M Sport	750i xDrive	750i xDrive M Sport	730Ld	730Ld M Sport	740Ld xDrive	740Ld xDrive M Sport	740Li	740Li M Sport	745Le xDrive	745Le xDrive M Sport	Price
------	--------------	-------------	---------------------	-------------	---------------------	------	--------------	------	--------------	-------------	---------------------	-------	---------------	--------------	----------------------	-------	---------------	--------------	----------------------	-------

PACKAGES

Packages provide an intelligent selection of individual options at a lower combined price, as well as contributing to the resale value of the vehicle. Further options can still be specified even when a package is chosen.

<b>COMFORT PLUS PACK</b> Comprises: – Ambient Air – Climate Comfort laminated glass – Massage function, front – Seat ventilation, front	<input type="checkbox"/>	<input type="checkbox"/>	<input type="checkbox"/>	<input type="checkbox"/>	<input type="checkbox"/>	<input type="checkbox"/>	<input type="checkbox"/>	<input type="checkbox"/>	<input type="checkbox"/>	<input type="checkbox"/>	<input type="checkbox"/>	<input type="checkbox"/>	<input type="checkbox"/>	<input type="checkbox"/>	<input type="checkbox"/>	<input type="checkbox"/>	<input type="checkbox"/>	<input type="checkbox"/>	<input type="checkbox"/>	£2,495
<b>ENTERTAINMENT PACK</b> Comprises: – TV Function Plus – Rear-seat Entertainment Experience with BMW Touch Command	<input type="checkbox"/>	<input type="checkbox"/>	<input type="checkbox"/>	<input type="checkbox"/>	<input type="checkbox"/>	<input type="checkbox"/>	<input type="checkbox"/>	<input type="checkbox"/>	<input type="checkbox"/>	<input type="checkbox"/>	<input type="checkbox"/>	-	-	-	-	-	-	-	-	£3,500
<b>M SPORT PRO PACK</b> Comprises: – 20" M light alloy Star-spoke style 817 M wheels, Bicolour <sup>1</sup> – Exterior trim, Extended High-gloss Shadowline (must be requested explicitly) – M rear spoiler – M seat belts – M Sport braking system, High-gloss Blue – M Sport exhaust system (750i xDrive only) – Sun protection glass Alternative content: – 20" M Star-spoke style 817 M wheels, Jet Black (instead of 20" M light alloy Star-spoke style 817 M wheels, Bicolour) – M Sport braking system, High-gloss Black (instead of M Sport braking system, High-gloss Blue)	-	<input type="checkbox"/>	-	<input type="checkbox"/>	-	<input type="checkbox"/>	-	<input type="checkbox"/>	-	<input type="checkbox"/>	-	<input type="checkbox"/>	<input type="checkbox"/>	<input type="checkbox"/>	<input type="checkbox"/>	<input type="checkbox"/>	<input type="checkbox"/>	<input type="checkbox"/>	<input type="checkbox"/>	£3,000
												-	<input type="checkbox"/>	-	<input type="checkbox"/>	-	<input type="checkbox"/>	-	<input type="checkbox"/>	£1,995

Only with = these options must be ordered together <sup>1</sup> = Standard for 750i xDrive M Sport models.

■ Standard equipment □ Optional equipment - Not available



730d	730d M Sport	730d xDrive	730d xDrive M Sport	740d xDrive	740d xDrive M Sport	740i	740i M Sport	745e	745e M Sport	750i xDrive	750i xDrive M Sport	730Ld	730Ld M Sport	740Ld xDrive	740Ld xDrive M Sport	740Li	740Li M Sport	745Le xDrive	745Le xDrive M Sport	Price
------	--------------	-------------	---------------------	-------------	---------------------	------	--------------	------	--------------	-------------	---------------------	-------	---------------	--------------	----------------------	-------	---------------	--------------	----------------------	-------

PACKAGES (CONT.)

<b>REAR SEAT COMFORT PACK</b> Comprises: – Comfort seats, rear – Heat Comfort package, front and rear – Massage function, rear	<input type="checkbox"/>	<input type="checkbox"/>	<input type="checkbox"/>	<input type="checkbox"/>	<input type="checkbox"/>	<input type="checkbox"/>	<input type="checkbox"/>	<input type="checkbox"/>	<input type="checkbox"/>	<input type="checkbox"/>	<input type="checkbox"/>	<input type="checkbox"/>	<input type="checkbox"/>	<input type="checkbox"/>	<input type="checkbox"/>	<input type="checkbox"/>	<input type="checkbox"/>	<input type="checkbox"/>	<input type="checkbox"/>	£3,250
<b>REAR SEAT COMFORT PLUS PACK</b> Comprises all functionality of Rear Seat Comfort Pack, plus: – Executive Lounge rear console – Executive Lounge Seating – Seat ventilation, rear – Sunblinds – rear windscreen and rear side windows, electric Only with Entertainment Pack	-	-	-	-	-	-	-	-	-	-	-	<input type="checkbox"/>	<input type="checkbox"/>	<input type="checkbox"/>	<input type="checkbox"/>	<input type="checkbox"/>	<input type="checkbox"/>	<input type="checkbox"/>	<input type="checkbox"/>	£6,995
<b>TECHNOLOGY PLUS PACK</b> Comprises: – Driving Assistant Professional <sup>1</sup> : – City Collision Mitigation – Forward Collision Warning – Lane Change Warning – Lane Departure Warning – Preventive Pedestrian Protection – Speed-limit Assist – Adaptive Distance Control – Active Lane Guidance – Head-up Display – Remote Control Parking <sup>2</sup> Only with BMW Display key (excludes 745e / 745Le xDrive models)	<input type="checkbox"/>	<input type="checkbox"/>	<input type="checkbox"/>	<input type="checkbox"/>	<input type="checkbox"/>	<input type="checkbox"/>	<input type="checkbox"/>	-	-	<input type="checkbox"/>	<input type="checkbox"/>	<input type="checkbox"/>	<input type="checkbox"/>	<input type="checkbox"/>	<input type="checkbox"/>	<input type="checkbox"/>	<input type="checkbox"/>	<input type="checkbox"/>	<input type="checkbox"/>	£3,595
	-	-	-	-	-	-	-	<input type="checkbox"/>	<input type="checkbox"/>	-	-	-	-	-	-	-	-	<input type="checkbox"/>	<input type="checkbox"/>	£3,295

<sup>1</sup> = When ordered in combination with BMW Individual paintwork certain functions under the Lane keeping assistant are deactivated. For further details, please speak to your local BMW Centre. <sup>2</sup> = Not available for 745e and 745Le models.



730d	730d M Sport	730d xDrive	730d xDrive M Sport	740d xDrive	740d xDrive M Sport	740i	740i M Sport	745e	745e M Sport	750i xDrive	750i xDrive M Sport	730Ld	730Ld M Sport	740Ld xDrive	740Ld xDrive M Sport	740Li	740Li M Sport	745Le xDrive	745Le xDrive M Sport	Price
------	--------------	-------------	---------------------	-------------	---------------------	------	--------------	------	--------------	-------------	---------------------	-------	---------------	--------------	----------------------	-------	---------------	--------------	----------------------	-------

PACKAGES (CONT.)

<b>ULTIMATE PACK</b>	-	-	-	-	-	-	-	-	-	□	-	-	-	-	-	-	-	-	-	£23,000
Comprises:	-	□	-	□	-	□	-	□	-	-	-	□	-	-	-	-	-	-	□	£25,000
- Ambient Air	-	-	-	-	-	-	-	-	-	-	-	-	□	-	-	-	-	-	-	£27,000
- BMW Touch Command	-	-	-	-	-	-	-	-	-	-	-	-	-	-	-	-	-	-	-	
- Bowers & Wilkins Diamond Surround Sound System	-	-	-	-	-	-	-	-	-	-	-	-	-	-	-	-	-	-	-	
- Climate Comfort laminated glass	-	-	-	-	-	-	-	-	-	-	-	-	-	-	-	-	-	-	-	
- Comfort seats, rear	-	-	-	-	-	-	-	-	-	-	-	-	-	-	-	-	-	-	-	
- Driving Assistant Professional <sup>1</sup>	-	-	-	-	-	-	-	-	-	-	-	-	-	-	-	-	-	-	-	
- Electric glass sunroof <sup>2</sup>	-	-	-	-	-	-	-	-	-	-	-	-	-	-	-	-	-	-	-	
- Executive Drive Pro <sup>3</sup>	-	-	-	-	-	-	-	-	-	-	-	-	-	-	-	-	-	-	-	
- Executive Lounge rear console <sup>4</sup>	-	-	-	-	-	-	-	-	-	-	-	-	-	-	-	-	-	-	-	
- Executive Lounge Seating <sup>4</sup>	-	-	-	-	-	-	-	-	-	-	-	-	-	-	-	-	-	-	-	
- Exterior trim, Extended High-gloss Shadowline (must be requested explicitly)	-	-	-	-	-	-	-	-	-	-	-	-	-	-	-	-	-	-	-	
- Head-up Display	-	-	-	-	-	-	-	-	-	-	-	-	-	-	-	-	-	-	-	
- Headlining, Anthracite Alcantara	-	-	-	-	-	-	-	-	-	-	-	-	-	-	-	-	-	-	-	
- Heat comfort package, front and rear	-	-	-	-	-	-	-	-	-	-	-	-	-	-	-	-	-	-	-	
- Integral Active Steering	-	-	-	-	-	-	-	-	-	-	-	-	-	-	-	-	-	-	-	
- Laserlights	-	-	-	-	-	-	-	-	-	-	-	-	-	-	-	-	-	-	-	
- M rear spoiler	-	-	-	-	-	-	-	-	-	-	-	-	-	-	-	-	-	-	-	
- M seat belts	-	-	-	-	-	-	-	-	-	-	-	-	-	-	-	-	-	-	-	
- M Sport braking system, High-gloss Blue	-	-	-	-	-	-	-	-	-	-	-	-	-	-	-	-	-	-	-	
- M Sport exhaust system (750i xDrive only)	-	-	-	-	-	-	-	-	-	-	-	-	-	-	-	-	-	-	-	
- Massage function, front	-	-	-	-	-	-	-	-	-	-	-	-	-	-	-	-	-	-	-	
- Massage function, rear	-	-	-	-	-	-	-	-	-	-	-	-	-	-	-	-	-	-	-	
- Rear-seat Entertainment Experience with BMW Touch Command	-	-	-	-	-	-	-	-	-	-	-	-	-	-	-	-	-	-	-	
- Remote Control Parking <sup>3</sup>	-	-	-	-	-	-	-	-	-	-	-	-	-	-	-	-	-	-	-	
- Seat ventilation, front	-	-	-	-	-	-	-	-	-	-	-	-	-	-	-	-	-	-	-	
- Seat ventilation, rear <sup>4</sup>	-	-	-	-	-	-	-	-	-	-	-	-	-	-	-	-	-	-	-	
- Sky Lounge Panoramic glass sunroof <sup>4</sup>	-	-	-	-	-	-	-	-	-	-	-	-	-	-	-	-	-	-	-	
- Sunblind – rear windscreen, electric	-	-	-	-	-	-	-	-	-	-	-	-	-	-	-	-	-	-	-	
- Sunblinds – rear windscreen and rear side windows, electric	-	-	-	-	-	-	-	-	-	-	-	-	-	-	-	-	-	-	-	
- Sun protection glass	-	-	-	-	-	-	-	-	-	-	-	-	-	-	-	-	-	-	-	
- TV Function Plus	-	-	-	-	-	-	-	-	-	-	-	-	-	-	-	-	-	-	-	
Alternative content:	-	-	-	-	-	-	-	-	-	-	-	-	-	-	-	-	-	-	-	
- M Sport braking system, High-gloss Black (instead of M Sport braking system, High-gloss Blue)	□	□	□	□	□	□	□	□	□	□	□	□	□	□	□	□	□	□	□	£1,500
<b>VISIBILITY PACK</b>	□	□	□	□	□	□	□	□	□	□	□	□	□	□	□	□	□	□	□	
Comprises:																				
- Laserlights																				

<sup>1</sup> = When ordered in combination with BMW Individual paintwork certain functions under the Lane keeping assistant are deactivated. For further details, please speak to your local BMW Centre. <sup>2</sup> = Standard wheelbase models only. <sup>3</sup> = Not available for 745e or 745e xDrive models. <sup>4</sup> = Long wheelbase models only.

■ Standard equipment □ Optional equipment - Not available







	730d	730d M Sport	730d xDrive	730d xDrive M Sport	740d xDrive	740d xDrive M Sport	740i	740i M Sport	745e	745e M Sport	750i xDrive	750i xDrive M Sport	730Ld	730Ld M Sport	740Ld xDrive	740Ld xDrive M Sport	740Li	740Li M Sport	745Le xDrive	745Le xDrive M Sport	Price
--	------	--------------	-------------	---------------------	-------------	---------------------	------	--------------	------	--------------	-------------	---------------------	-------	---------------	--------------	----------------------	-------	---------------	--------------	----------------------	-------

INTERIOR EQUIPMENT

BMW Display key Only with Remote Control Parking (as part of Technology Plus Pack / Ultimate Pack)	<input type="checkbox"/>	<input type="checkbox"/>	<input type="checkbox"/>	<input type="checkbox"/>	<input type="checkbox"/>	<input type="checkbox"/>	<input type="checkbox"/>	<input type="checkbox"/>	-	-	<input type="checkbox"/>	<input type="checkbox"/>	<input type="checkbox"/>	<input type="checkbox"/>	<input type="checkbox"/>	<input type="checkbox"/>	<input type="checkbox"/>	<input type="checkbox"/>	-	-	£315
Door sill finishers with BMW Individual designation Only with Individual paintwork / Individual upholsteries	<input type="checkbox"/>	-	<input type="checkbox"/>	-	<input type="checkbox"/>	-	<input type="checkbox"/>	-	<input type="checkbox"/>	-	<input type="checkbox"/>	-	<input type="checkbox"/>	-	<input type="checkbox"/>	-	<input type="checkbox"/>	-	<input type="checkbox"/>	-	£0
Electric glass sunroof	<input type="checkbox"/>	<input type="checkbox"/>	<input type="checkbox"/>	<input type="checkbox"/>	<input type="checkbox"/>	<input type="checkbox"/>	<input type="checkbox"/>	<input type="checkbox"/>	<input type="checkbox"/>	<input type="checkbox"/>	<input type="checkbox"/>	<input type="checkbox"/>	<input checked="" type="checkbox"/>	<input checked="" type="checkbox"/>	<input checked="" type="checkbox"/>	<input checked="" type="checkbox"/>	<input checked="" type="checkbox"/>	<input checked="" type="checkbox"/>	<input checked="" type="checkbox"/>	<input checked="" type="checkbox"/>	£1,295
Headlining, Anthracite	<input type="checkbox"/>	<input checked="" type="checkbox"/>	<input type="checkbox"/>	<input checked="" type="checkbox"/>	<input type="checkbox"/>	<input checked="" type="checkbox"/>	<input type="checkbox"/>	<input checked="" type="checkbox"/>	<input type="checkbox"/>	<input checked="" type="checkbox"/>	<input type="checkbox"/>	<input checked="" type="checkbox"/>	<input type="checkbox"/>	<input checked="" type="checkbox"/>	<input type="checkbox"/>	<input checked="" type="checkbox"/>	<input type="checkbox"/>	<input checked="" type="checkbox"/>	<input type="checkbox"/>	<input checked="" type="checkbox"/>	£325
Headlining, Anthracite Alcantara Only with Electric glass sunroof <sup>1</sup>	<input type="checkbox"/>	-	<input type="checkbox"/>	-	<input type="checkbox"/>	-	<input type="checkbox"/>	-	<input type="checkbox"/>	-	<input type="checkbox"/>	-	<input type="checkbox"/>	-	<input type="checkbox"/>	-	<input type="checkbox"/>	-	<input type="checkbox"/>	-	£1,150
Headlining, BMW Individual Alcantara Only with Electric glass sunroof <sup>1</sup> Only with BMW Individual Full Merino upholstery in Smoke White, Smoke White/Night Blue or Tartufo	-	<input type="checkbox"/>	-	<input type="checkbox"/>	-	<input type="checkbox"/>	-	<input type="checkbox"/>	-	<input type="checkbox"/>	-	<input type="checkbox"/>	-	<input type="checkbox"/>	-	<input type="checkbox"/>	-	<input type="checkbox"/>	-	<input type="checkbox"/>	£895
Headlining, BMW Individual Alcantara Only with Electric glass sunroof <sup>1</sup> Only with BMW Individual Full Merino upholstery in Smoke White, Smoke White/Night Blue or Tartufo	<input type="checkbox"/>	-	<input type="checkbox"/>	-	<input type="checkbox"/>	-	<input type="checkbox"/>	-	<input type="checkbox"/>	-	<input type="checkbox"/>	-	<input type="checkbox"/>	-	<input type="checkbox"/>	-	<input type="checkbox"/>	-	<input type="checkbox"/>	-	£1,150
M leather steering wheel, Midnight Blue Only with BMW Individual Full Merino leather in Smoke White/Night Blue	<input type="checkbox"/>	-	<input type="checkbox"/>	-	<input type="checkbox"/>	-	<input type="checkbox"/>	-	<input type="checkbox"/>	-	<input type="checkbox"/>	-	<input type="checkbox"/>	-	<input type="checkbox"/>	-	<input type="checkbox"/>	-	<input type="checkbox"/>	-	£650
M leather steering wheel, Midnight Blue Only with BMW Individual Full Merino leather in Smoke White/Night Blue	-	<input type="checkbox"/>	-	<input type="checkbox"/>	-	<input type="checkbox"/>	-	<input type="checkbox"/>	-	<input type="checkbox"/>	-	<input type="checkbox"/>	-	<input type="checkbox"/>	-	<input type="checkbox"/>	-	<input type="checkbox"/>	-	<input type="checkbox"/>	£450
Steering wheel heating Not with Heat comfort package, front and rear	<input type="checkbox"/>	<input type="checkbox"/>	<input type="checkbox"/>	<input type="checkbox"/>	<input type="checkbox"/>	<input type="checkbox"/>	<input type="checkbox"/>	<input type="checkbox"/>	<input type="checkbox"/>	<input type="checkbox"/>	<input type="checkbox"/>	<input type="checkbox"/>	<input type="checkbox"/>	<input type="checkbox"/>	<input type="checkbox"/>	<input type="checkbox"/>	<input type="checkbox"/>	<input type="checkbox"/>	<input type="checkbox"/>	<input type="checkbox"/>	£250
Sky Lounge Panoramic glass sunroof	-	-	-	-	-	-	-	-	-	-	-	-	<input type="checkbox"/>	<input type="checkbox"/>	<input type="checkbox"/>	<input type="checkbox"/>	<input type="checkbox"/>	<input type="checkbox"/>	<input type="checkbox"/>	<input type="checkbox"/>	£1,795
Sunblind – rear windscreen, electric	<input type="checkbox"/>	<input type="checkbox"/>	<input type="checkbox"/>	<input type="checkbox"/>	<input type="checkbox"/>	<input type="checkbox"/>	<input type="checkbox"/>	<input type="checkbox"/>	<input type="checkbox"/>	<input type="checkbox"/>	<input type="checkbox"/>	<input type="checkbox"/>	<input checked="" type="checkbox"/>	<input checked="" type="checkbox"/>	<input checked="" type="checkbox"/>	<input checked="" type="checkbox"/>	<input checked="" type="checkbox"/>	<input checked="" type="checkbox"/>	<input checked="" type="checkbox"/>	<input checked="" type="checkbox"/>	£450
In conjunction with Sunblinds – rear windscreen and rear side windows, electric	<input type="checkbox"/>	<input type="checkbox"/>	<input type="checkbox"/>	<input type="checkbox"/>	<input type="checkbox"/>	<input type="checkbox"/>	<input type="checkbox"/>	<input type="checkbox"/>	<input type="checkbox"/>	<input type="checkbox"/>	<input type="checkbox"/>	<input type="checkbox"/>	-	-	-	-	-	-	-	-	£0
Sunblinds – rear windscreen and rear side windows, electric Only with Sunblind – rear windscreen, electric	<input type="checkbox"/>	<input type="checkbox"/>	<input type="checkbox"/>	<input type="checkbox"/>	<input type="checkbox"/>	<input type="checkbox"/>	<input type="checkbox"/>	<input type="checkbox"/>	<input type="checkbox"/>	<input type="checkbox"/>	<input type="checkbox"/>	<input type="checkbox"/>	-	-	-	-	-	-	-	-	£995
Sunblinds – rear windscreen and rear side windows, electric Only with Sunblind – rear windscreen, electric	-	-	-	-	-	-	-	-	-	-	-	-	<input type="checkbox"/>	<input type="checkbox"/>	<input type="checkbox"/>	<input type="checkbox"/>	<input type="checkbox"/>	<input type="checkbox"/>	<input type="checkbox"/>	<input type="checkbox"/>	£550
Sun protection glass <sup>2</sup>	<input type="checkbox"/>	<input type="checkbox"/>	<input type="checkbox"/>	<input type="checkbox"/>	<input type="checkbox"/>	<input type="checkbox"/>	<input type="checkbox"/>	<input type="checkbox"/>	<input type="checkbox"/>	<input type="checkbox"/>	<input type="checkbox"/>	<input type="checkbox"/>	<input type="checkbox"/>	<input type="checkbox"/>	<input type="checkbox"/>	<input type="checkbox"/>	<input type="checkbox"/>	<input type="checkbox"/>	<input type="checkbox"/>	<input type="checkbox"/>	£420
Through-loading system	<input type="checkbox"/>	<input type="checkbox"/>	<input type="checkbox"/>	<input type="checkbox"/>	<input type="checkbox"/>	<input type="checkbox"/>	<input type="checkbox"/>	<input type="checkbox"/>	<input type="checkbox"/>	<input type="checkbox"/>	<input type="checkbox"/>	<input type="checkbox"/>	<input type="checkbox"/>	<input type="checkbox"/>	<input type="checkbox"/>	<input type="checkbox"/>	<input type="checkbox"/>	<input type="checkbox"/>	<input type="checkbox"/>	<input type="checkbox"/>	£150

ACCESSORIES

Accessory Trackstar S5 <sup>3</sup>	<input type="checkbox"/>	<input type="checkbox"/>	<input type="checkbox"/>	<input type="checkbox"/>	<input type="checkbox"/>	<input type="checkbox"/>	<input type="checkbox"/>	<input type="checkbox"/>	<input type="checkbox"/>	<input type="checkbox"/>	<input type="checkbox"/>	<input type="checkbox"/>	<input type="checkbox"/>	<input type="checkbox"/>	<input type="checkbox"/>	<input type="checkbox"/>	<input type="checkbox"/>	<input type="checkbox"/>	<input type="checkbox"/>	<input type="checkbox"/>	£500
-------------------------------------	--------------------------	--------------------------	--------------------------	--------------------------	--------------------------	--------------------------	--------------------------	--------------------------	--------------------------	--------------------------	--------------------------	--------------------------	--------------------------	--------------------------	--------------------------	--------------------------	--------------------------	--------------------------	--------------------------	--------------------------	------

Only with = these options must be ordered together Not with = these options are not available for ordering together / = Indicates 'or' <sup>1</sup> = Standard wheelbase models only.  
<sup>2</sup> = Front windows will consist of Climate Comfort laminated glass and windows behind B-pillar will consist of a conjunction of Climate Comfort laminated glass and Sun protection glass.  
<sup>3</sup> = Subscription costs apply, £168 for one year or £399 for three years.

Standard equipment  Optional equipment - Not available



	730d	730d M Sport	730d xDrive	730d xDrive M Sport	740d xDrive	740d xDrive M Sport	740i	740i M Sport	745e	745e M Sport	750i xDrive	750i xDrive M Sport			
															Price

AUDIO & COMMUNICATION

BMW Emergency Call <sup>1</sup>	■	■	■	■	■	■	■	■	■	■	■	■		Std
BMW Live Cockpit Professional Comprises: – 12.3" Control Display with split screen Function – 12.3" Digital Instrument Display – BMW Intelligent Personal Assistant <sup>2</sup> – BMW Operating System 7.0 – iDrive Controller with Touch Function – Intelligent Functionalities <sup>2,3</sup> – Remote Software Upgrade <sup>2</sup>	■	■	■	■	■	■	■	■	■	■	■	■		Std
BMW Online Services <sup>2,3</sup> Comprises: – BMW Apps – BMW Online Services – Last State Call <sup>1,3</sup> – USB and Over-the-air Map Updates	■	■	■	■	■	■	■	■	■	■	■	■		Std
BMW TeleServices <sup>1</sup>	■	■	■	■	■	■	■	■	■	■	■	■		Std
Bowers & Wilkins Diamond Surround Sound System	□	□	□	□	□	□	□	□	□	□	□	□	£4,995	
Connected Package Professional <sup>2,3</sup> Comprises: – BMW Maps – Concierge Services <sup>1,4</sup> – Connected Music – Connected Parking – Connected Teaser <sup>5,6</sup> – Connected Charging <sup>7</sup> – In-Car Experiences – Real Time Traffic Information – Remote 3D View – Remote Services – Smartphone Integration <sup>1,4</sup>	■	■	■	■	■	■	■	■	■	■	■	■		Std
CD Player	■	■	■	■	■	■	■	■	■	■	■	■		Std
WiFi hotspot preparation <sup>8</sup>	■	■	■	■	■	■	■	■	■	■	■	■		Std

/ = Indicates 'or' <sup>1</sup> = Available and active without runtime limitations. Usage cannot be guaranteed permanently due to potential future technical developments (of the Service availability and/or Smartphone compatibility/operating systems). <sup>2</sup> = Active for three years, renewable thereafter at an additional cost. <sup>3</sup> = Requires a free BMW ConnectedDrive account. <sup>4</sup> = Functions using a data connection will use data from the SIM card in the phone. Additional data charges may be applied by the mobile network provider. Compatibility and functions may vary due to the make and model year of the phone and the version of software installed on it. <sup>5</sup> = Includes BMW Music for a three month trial. <sup>6</sup> = Available and active for three months. Can be extended or renewed thereafter at an extra cost. <sup>7</sup> = Exclusively available on 745e and 745Le xDrive models for three years. <sup>8</sup> = Data subscription costs apply and must be purchased separately.

■ Standard equipment □ Optional equipment - Not available



730d	730d M Sport	730d xDrive	730d xDrive M Sport	740d xDrive	740d xDrive M Sport	740i	740i M Sport	745e	745e M Sport	750i xDrive	750i xDrive M Sport	730Ld	730Ld M Sport	740Ld xDrive	740Ld xDrive M Sport	740Li	740Li M Sport	745Le xDrive	745Le xDrive M Sport	Run-flat tyres	Price
------	--------------	-------------	---------------------	-------------	---------------------	------	--------------	------	--------------	-------------	---------------------	-------	---------------	--------------	----------------------	-------	---------------	--------------	----------------------	----------------	-------

LIGHT ALLOY WHEELS





	18" Multi-spoke style 619	■	-	■	-	■	-	■	-	■	-	■	-	■	-	■	-	■	-	-	Std
	19" Double-spoke style 630, Bicolour	□	-	□	-	□	-	□	-	■	-	□	-	□	-	□	-	□	-	-	£1,600
	19" V-spoke style 620	□	-	□	-	□	-	□	-	□	-	□	-	□	-	□	-	□	-	-	£1,600
		-	-	-	-	-	-	-	-	-	-	□	-	-	-	-	-	-	-	-	-
	20" V-spoke style 628, Bicolour	□	-	□	-	□	-	□	-	□	-	□	-	□	-	□	-	□	-	■	£2,600
		-	-	-	-	-	-	-	-	-	-	□	-	-	-	-	-	-	-	-	■
	20" Multi-spoke style 777, Bicolour	□	-	□	-	□	-	□	-	□	-	□	-	□	-	□	-	□	-	■	£2,600
		-	-	-	-	-	-	-	-	-	-	□	-	-	-	-	-	-	-	-	■

■ Standard equipment □ Optional equipment - Not available



730d	730d M Sport	730d xDrive	730d xDrive M Sport	740d xDrive	740d xDrive M Sport	740i	740i M Sport	745e	745e M Sport	750i xDrive	750i xDrive M Sport	730Ld	730Ld M Sport	740Ld xDrive	740Ld xDrive M Sport	740Li	740Li M Sport	745Le xDrive	745Le xDrive M Sport	Run-flat tyres	Price
------	--------------	-------------	---------------------	-------------	---------------------	------	--------------	------	--------------	-------------	---------------------	-------	---------------	--------------	----------------------	-------	---------------	--------------	----------------------	----------------	-------

LIGHT ALLOY WHEELS (CONT.)

 <p>20" BMW Individual V-spoke style 649 I, Bicolour</p>	□	-	□	-	□	-	□	-	□	-	-	-	□	-	□	-	□	-	□	-	■	£2,600	
	-	-	-	-	-	-	-	-	-	-	□	-	-	-	-	-	-	-	-	-	-	■	£1,100
 <p>19" M Double-spoke style 647 M, Bicolour</p>	-	■	-	■	-	■	-	■	-	■	-	-	■	-	■	-	■	-	■	-	■	Std	
	-	□	-	□	-	□	-	□	-	□	-	■	-	□	-	□	-	□	-	□	-	■	£1,200
 <p>20" M Star-spoke style 817 M, Bicolour</p>	-	□	-	□	-	□	-	□	-	□	-	-	□	-	□	-	□	-	□	-	■	£0	
	-	□	-	□	-	□	-	□	-	□	-	-	□	-	□	-	□	-	□	-	■	£0	
 <p>20" M Star-spoke style 817 M, Jet Black</p>	-	□	-	□	-	□	-	□	-	□	-	-	□	-	□	-	□	-	□	-	■	£1,550	
	-	-	-	-	-	-	-	-	-	-	□	-	-	-	-	-	-	-	-	-	-	■	£350
	-	□	-	□	-	□	-	□	-	□	-	-	-	□	-	□	-	□	-	□	-	■	£350



360° ELECTRIC

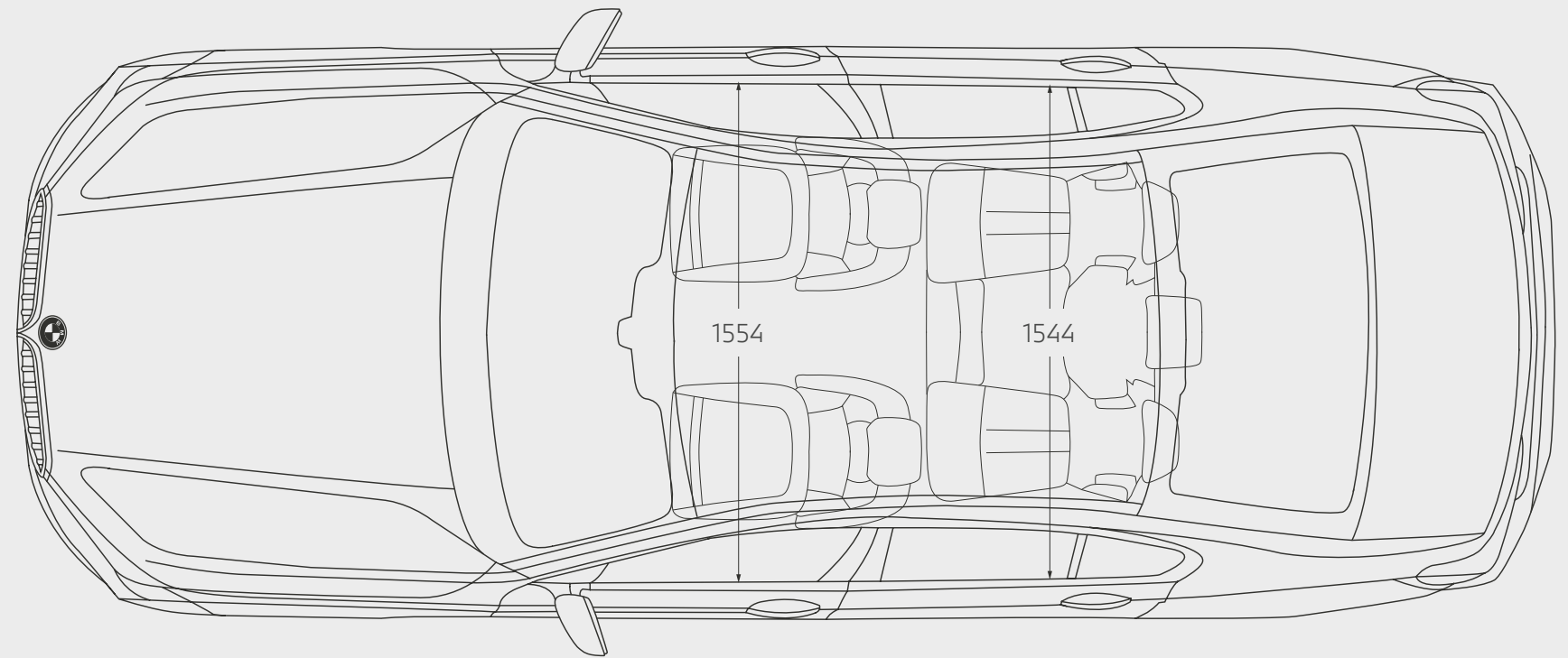
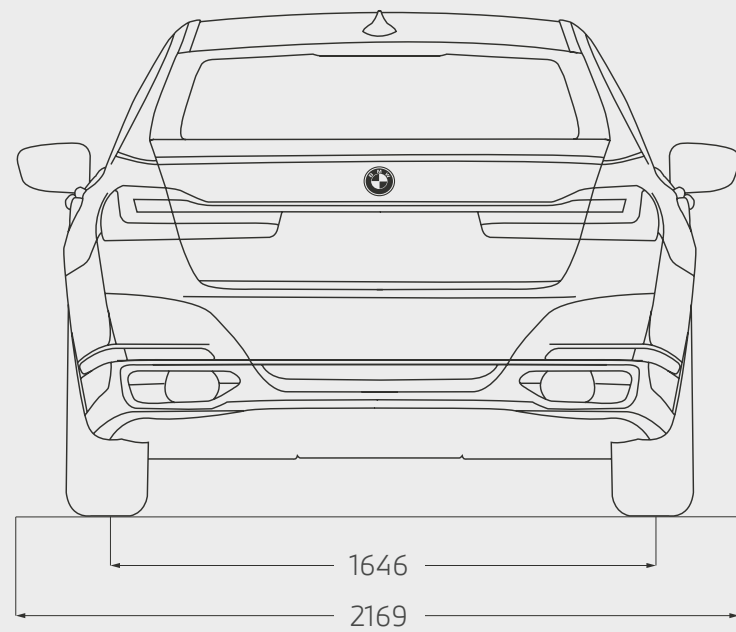
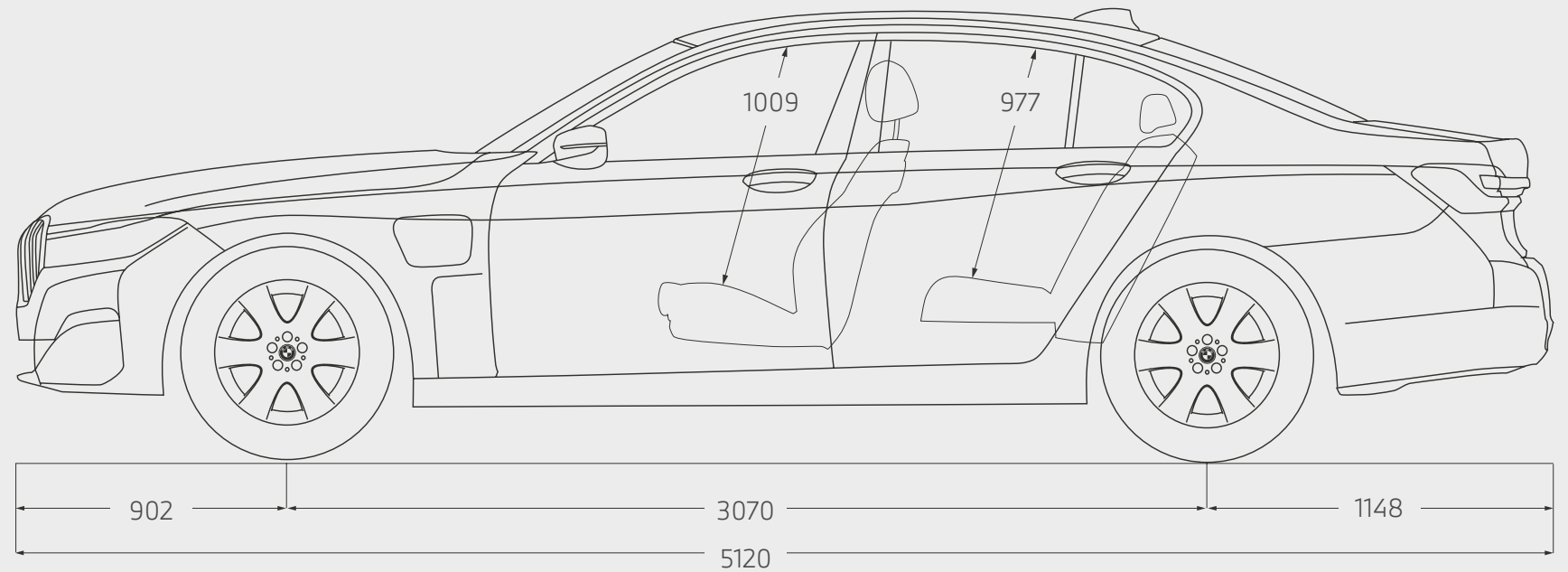
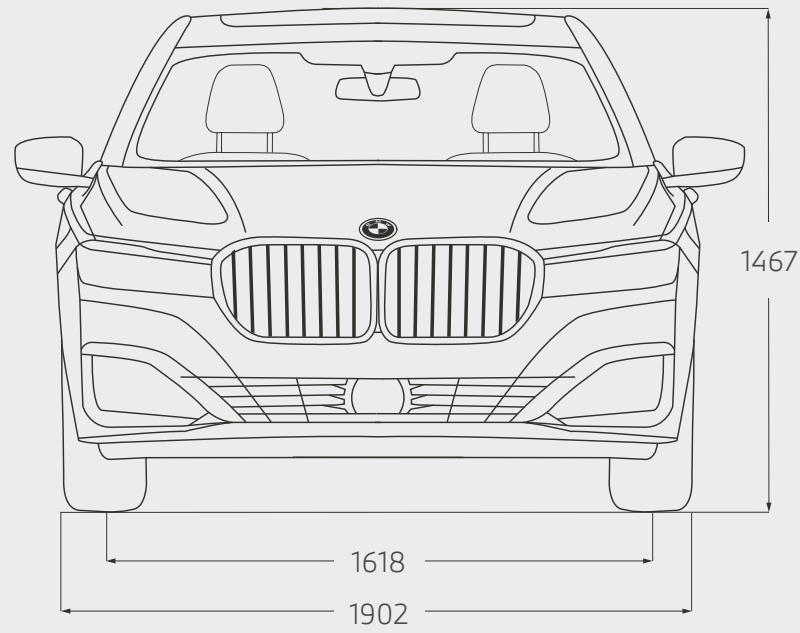
	745e	745e M Sport	745Le xDrive	745Le xDrive M Sport	Price
Digital Charging Service – 12 months subscription <sup>1</sup>	■	■	■	■	n/a
Home charging: BMW i Wallbox Connect (32 Amp) with Standard Installation <sup>2</sup>	□	□	□	□	From £975 <sup>+</sup>
Public Charging: BMW i AC Rapid Charge Cable (5 metre length) – Max 32 Amp 3-phase public charging cable, Type 2 connectors	■	■	■	■	n/a
Public Charging: BMW i AC Fast Charge Cable (8 metre length) – Max 32 Amp 1-phase public charging cable, Type 2 connectors	□	□	□	□	£195
Public charging: ChargeNow – Pay as you go charging <sup>3</sup>	□	□	□	□	£7.85 per month
Assistance Services – BMW i Mobile Care – Battery Warranty – Vehicle Warranty	■	■	■	■	n/a



+ = Subject to OLEV subsidy and qualification which may be liable to change, for further details please speak to your local BMW Centre. For more information about Plug-In Hybrid Electric Vehicles please visit [here](#). <sup>1</sup> = 12 months subscription from production date only, renewable thereafter for £45 per annum via the ConnectedDrive Store. <sup>2</sup> = Includes 3 year warranty. <sup>3</sup> = Available as a stand alone service. Terms and Conditions apply, find out more [here](#). The design of the charging cable may vary from image shown. Content correct at time of publishing. Prices subject to change.

# DIMENSIONS.

## THE BMW 7 SERIES.

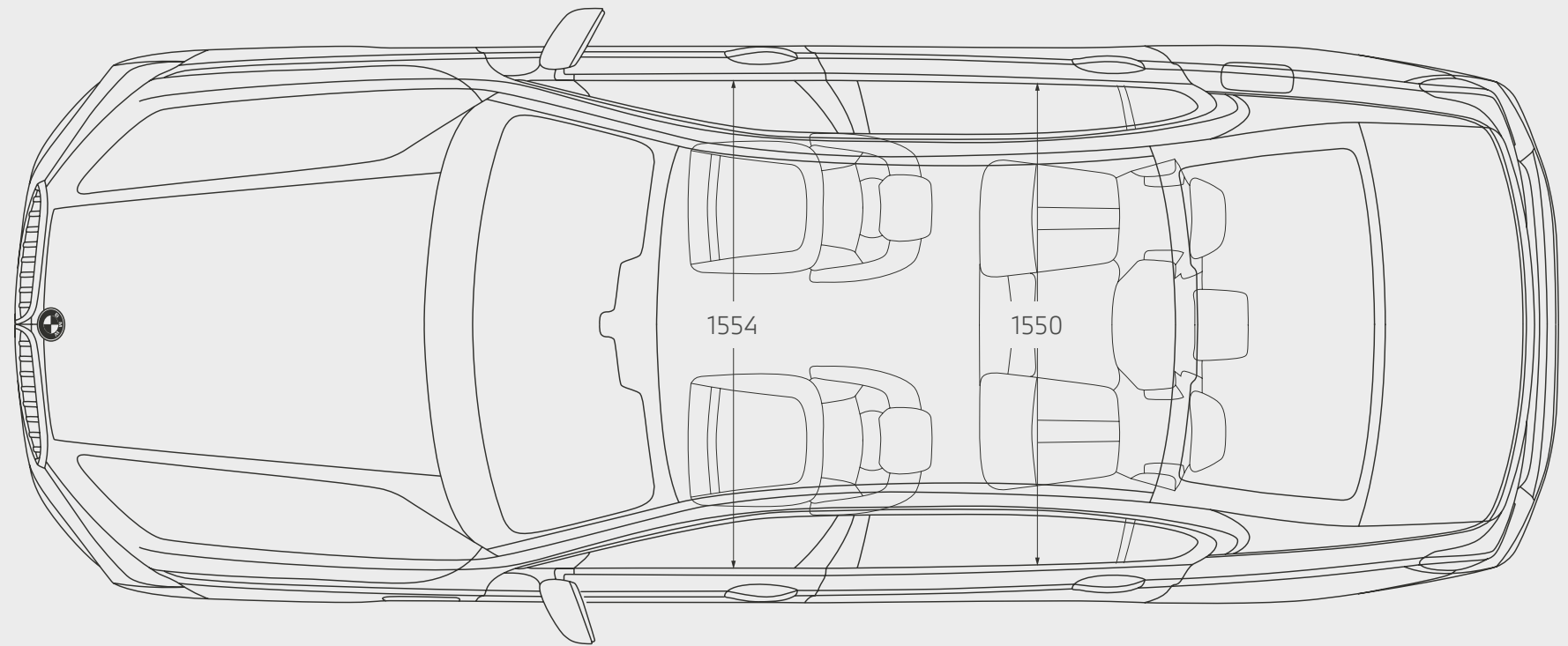
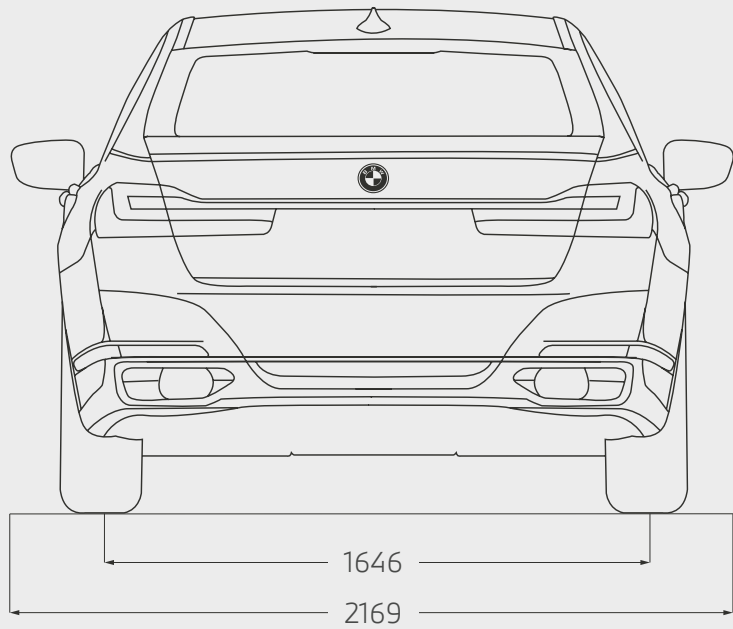
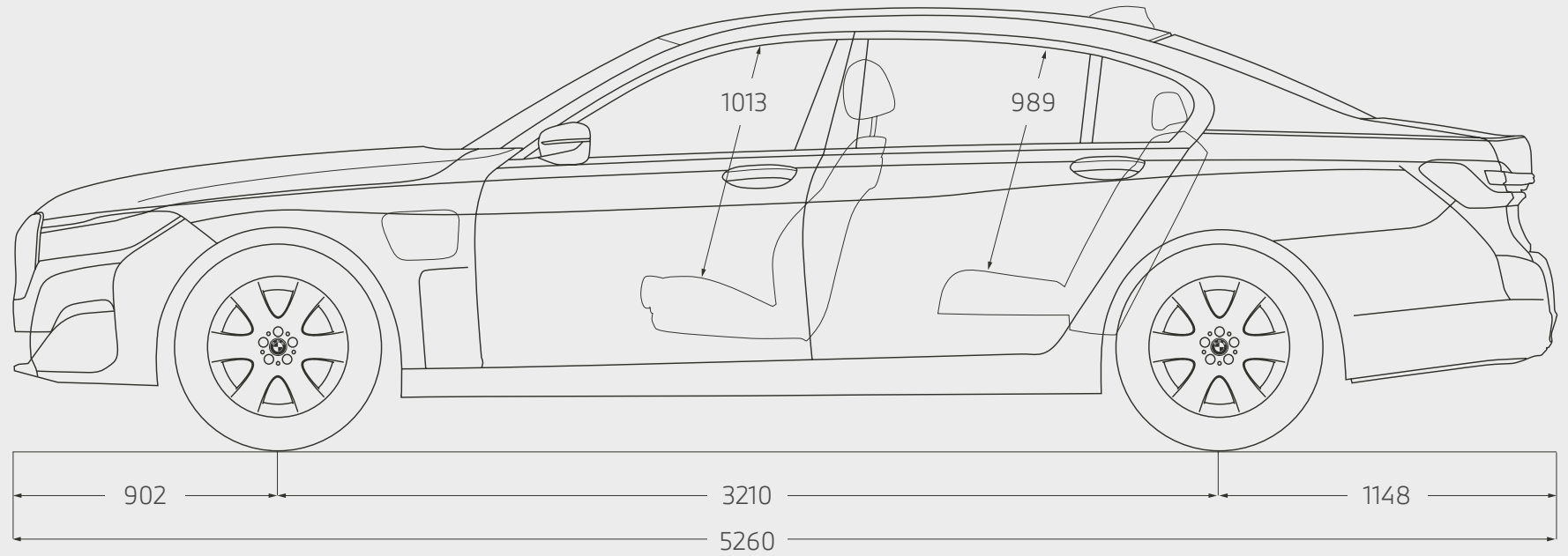
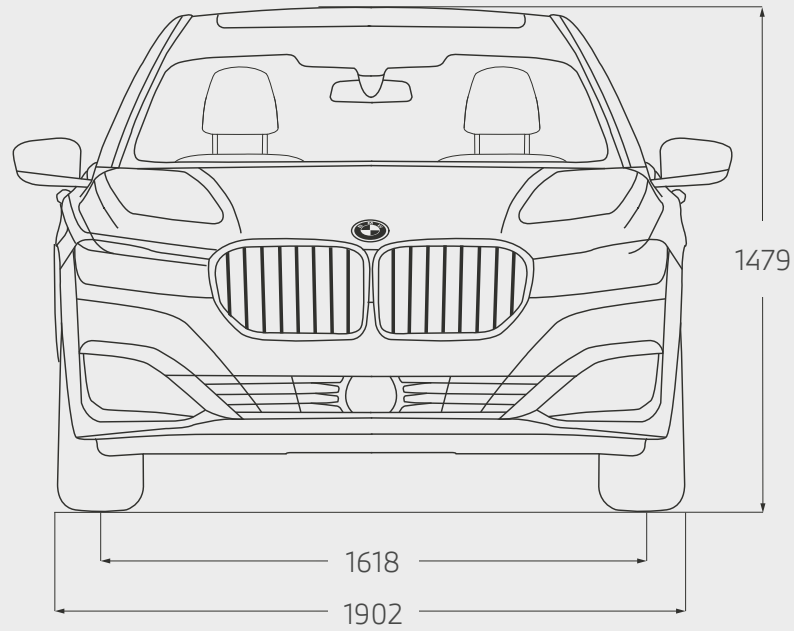


Length (mm)	5120	Height (mm)	1467	Number of seats	5	Turning circle (m)	12.3 <sup>1</sup>
Width (mm)	1902	Width including mirrors (mm) (Driver / Passenger)	2169 (1090 / 1079)	Wheelbase (mm)	3070	Luggage capacity (litre)	515 <sup>2</sup>

<sup>1</sup> = xDrive models: 12.6m.    <sup>2</sup> = 745e models: 420 litres.

# DIMENSIONS.

## THE BMW 7 SERIES LONG WHEELBASE.



Length (mm)	5260	Height (mm)	1479	Number of seats	5 [4]	Turning circle (m)	12.8 <sup>1</sup>
Width (mm)	1902	Width including mirrors (mm) (Driver / Passenger)	2169 (1090 / 1079)	Wheelbase (mm)	3210	Luggage capacity (litre)	515 <sup>2</sup>

<sup>1</sup> = xDrive models: 13.1m. <sup>2</sup> = 745Le xDrive models: 420 litres. Figures in [] apply to cars with Executive Lounge Seating.



# BMW SERVICE INCLUSIVE & TRACKSTAR



## BMW SERVICE INCLUSIVE

The BMW 7 Series comes with Service Inclusive as standard<sup>1</sup> for a period of 5 years / 50,000 miles, whichever comes first and covers the following service items:

- Oil service
  - Renew air filter
  - Renew fuel filter (diesel models only)
  - Renew microfilter
  - Renew spark plugs (petrol models only)
- Standard

## BMW SERVICE INCLUSIVE BENEFITS

- Inflation proof service pricing
- Official BMW Service history provided
- Only trained BMW Technicians will operate on your vehicle
- Only genuine BMW parts used



## BMW TRACKSTAR

Locate and recover your vehicle if it is stolen with BMW Trackstar or BMW Trackstar Advance.

BMW Trackstar S7 price from: £399<sup>2</sup>

BMW Trackstar S5 price from: £549<sup>2</sup>

BMW Trackstar S5 Advance price from: £649<sup>2</sup>

## BMW TRACKSTAR BENEFITS

- 24/7 Trackstar Monitoring Centre
- Thatcham accredited
- Integrated motion sensor
- Pan-European protection



<sup>1</sup> = Terms and Conditions apply, please contact your preferred Centre for more information. The BMW 7 Series comes with Service Inclusive as standard. Customers can opt-out and in this event there will be a deduction of £350 off the Retail price.

<sup>2</sup> = Price excludes subscription. Please consult your local BMW Centre for further details. Content correct at time of publishing. Prices subject to change.

# BMW CONNECTED DRIVE SERVICES

BMW ConnectedDrive keeps driver and vehicle connected with the outside world. Digital services, driver-focused technologies and driver assistance systems provide more comfort, more entertainment and more safety. Increase your driving pleasure – with BMW ConnectedDrive.

For further information on BMW ConnectedDrive and the General Terms and Conditions of Service for ConnectedDrive, please see: [www.bmw.co.uk/connecteddrive-information](http://www.bmw.co.uk/connecteddrive-information)

The BMW ConnectedDrive Hotline is available on: +44 (0) 800 561 0555 from Monday to Friday 8am – 7pm and Saturday to Sunday 9am – 5pm.

## CONNECTED DRIVE SERVICES DURATION

BMW Music	3 month trial
BMW Apps	3 years
BMW Intelligent Personal Assistant	3 years
BMW Maps	3 years
BMW Online Services	3 years
Concierge Services	3 years
Connected Charging (745e / 745Le xDrive only)	3 years
Connected Music	3 years
In-Car Experiences	3 years
Intelligent Functionalities	3 years
Map Updates	3 years
Real Time Traffic Information	3 years
Remote Services	3 years
Remote Software Upgrade	3 years
BMW Emergency Call	Active without runtime limitations
BMW TeleServices	Active without runtime limitations
Last State Call	Active without runtime limitations
Smartphone Integration	Active without runtime limitations

## GENERAL INFORMATION

BMW (UK) Ltd, Summit ONE, Summit Avenue, Farnborough, Hampshire, GU14 0FB (hereinafter referred to as "BMW") provides the customer with certain vehicle-related information and assistance functions (hereinafter called "Services") under the name of "BMW ConnectedDrive". BMW collects, stores or processes car-related data in compliance with applicable law and only to the extent necessary to provide the Services. BMW does not collect, store or process personal data in course of the Services – except where this is explicitly stated in the service description of the individual Services. In the case of Services that require personal data to be collected, stored and processed so that such Services can actually be provided, BMW informs customers of this in advance by providing this data protection notice. The Services are provided by means of a SIM card installed in the vehicle.

## DEACTIVATION

You can have the BMW ConnectedDrive services deactivated through an authorised BMW centre, a BMW subsidiary or a BMW authorised workshop at any time. This also has the consequence that aspects of the emergency call in the vehicle as well as all remaining Services will no longer function.

You can additionally arrange for the remaining Services to be deactivated via "My BMW ConnectedDrive".

If the vehicle is equipped with the legally required EU Emergency Call (as from April 2018) a deactivation of the BMW ConnectedDrive basic services will not deactivate the vehicle's built-in SIM card. It has to remain active, so that the EU Emergency Call is functional all the time.

Services that are available and active without runtime limitations, cannot be guaranteed for permanent usage due to potential future technical developments (of the Service availability and/or Smartphone compatibility/operating systems).





READY TO TAKE THE NEXT STEP?

