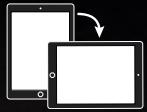


Best viewed in landscape mode



THE

2

ACTIVE TOURER
GRAN TOURER

THE BMW 2 SERIES ACTIVE TOURER AND GRAN TOURER.

RETURN BY CLICKING [🏠](#)
SELECT A TOPIC BELOW TO EXPLORE:



FEATURED MODELS.

BMW 220i SPORT ACTIVE TOURER:

BMW TwinPower Turbo four-cylinder petrol engine, 192hp (141kW), 18" light alloy Star-spoke style 512 wheels, Sunset Orange metallic paint, Cloth / Sensatec seats in Anthracite with Orange highlight, Brushed Aluminium interior trim with Pearl Chrome finisher.

BMW 220d xDRIVE M SPORT GRAN TOURER:

BMW TwinPower Turbo four-cylinder diesel engine, 190hp (140kW), 18" M light alloy Double-spoke style 486 wheels, Misano Blue metallic paint, Dakota leather seats in Black with Blue stitching, Aluminium Hexagon interior trim with Pearl Chrome finisher.

Content correct at time of publishing (as of January 2021). Prices and technical data subject to change. The models shown on these pages may feature optional equipment. Standard equipment may also vary depending on engine variant. For further details, please contact your local BMW Centre.



LOVE AT THE FIRST MILE.



CONNECTING
YOUR WORLDS.

M SPORT.



The BMW 2 Series M Sport Gran Tourer model is shown above in Misano Blue metallic paint.

■ Standard equipment □ Optional equipment

M SPORT.

In addition / replacement to SE models

EXTERIOR

- M aerodynamic bodystyling
- 18" M light alloy Double-spoke style 486 M wheels
- Exterior trim, High-gloss Shadowline
- Kidney grille with extra-wide High-gloss Black vertical slats
- M logo designation – side, Chrome

INTERIOR

- Sport seats, driver and front passenger
- Dakota leather upholstery with perforation and contrast stitching
- Contrast stitching on instrument panel
- Ambient lighting – switchable
- Headlining, Anthracite
- Interior trim, Aluminium Hexagon with Pearl Chrome finisher
- Door sill finishers with M designation, front
- Gearshift lever with M designation, short-shift (manual transmission only)
- M Sport multi-function leather steering wheel with speed limiting function

SAFETY & TECHNOLOGY

- M Sport suspension
- Remote control including integrated key, with Silver highlight and M designation



LUXURY.



The BMW 2 Series Luxury Active Tourer model is shown above in Cashmere Silver metallic paint.

■ Standard equipment □ Optional equipment

LUXURY.

In addition / replacement to SE models

EXTERIOR

- 17" light alloy Multi-spoke style 547 wheels
- Kidney grille with 12 Chrome fronted vertical slats
- Exterior trim, Chromeline
- Front air inlet with Chrome finisher
- Rear bumper with Chrome finisher

INTERIOR

- Contrast stitching on instrument panel
- Dakota leather upholstery with perforation and contrast stitching
- LED ambient lighting in door trim
- Interior trim, Fineline Stream wood with Pearl Chrome finisher
- Door sill finishers with BMW designation, front

SAFETY & TECHNOLOGY

- Remote control including integrated key, with Silver highlight



SPORT.



The BMW 2 Series Sport Gran Tourer model is shown above in Sunset Orange metallic paint.

■ Standard equipment □ Optional equipment

SPORT.

In addition / replacement to SE models

EXTERIOR

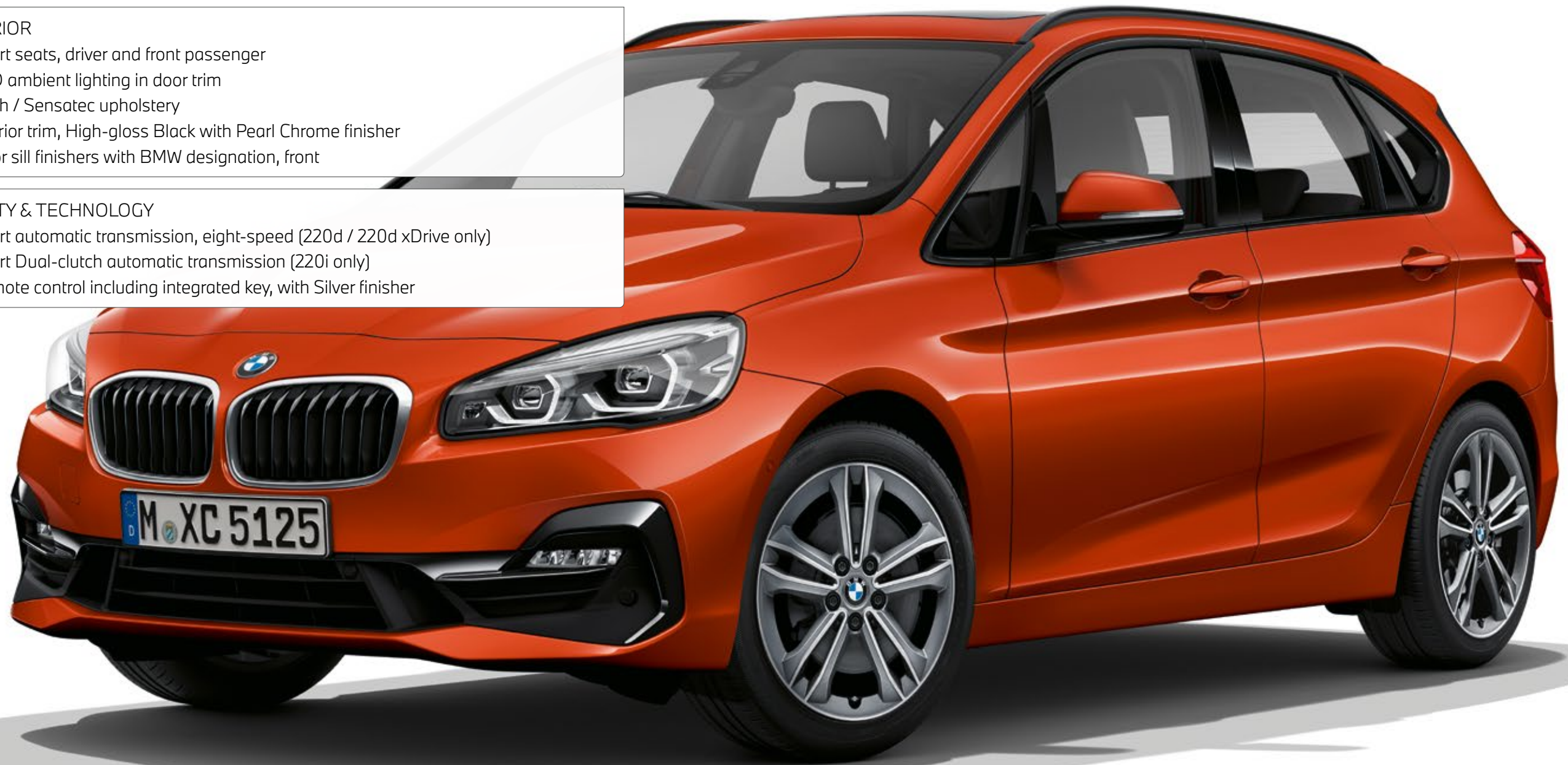
- Automatic tailgate
- 17" light alloy Double-spoke style 549 wheels
- Kidney grille with ten extra-wide High-gloss Black fronted vertical slats
- Front air inlet with High-gloss Black finisher
- Rear bumper with High-gloss Black finisher

INTERIOR

- Sport seats, driver and front passenger
- LED ambient lighting in door trim
- Cloth / Sensatec upholstery
- Interior trim, High-gloss Black with Pearl Chrome finisher
- Door sill finishers with BMW designation, front

SAFETY & TECHNOLOGY

- Sport automatic transmission, eight-speed (220d / 220d xDrive only)
- Sport Dual-clutch automatic transmission (220i only)
- Remote control including integrated key, with Silver finisher



SE.



The BMW 2 Series SE Active Tourer model is shown above in Mineral Grey metallic paint.

■ Standard equipment □ Optional equipment

SE.

EXTERIOR

- LED headlights
- LED foglights, front (excludes 225xe)
- Roof rails, Black (Gran Tourer models only)
- Heated exterior mirrors and windscreen washer jets (excludes 225xe)
- 16" light alloy V-spoke style 471 wheels
- 17" light alloy V-spoke style 479 wheels (218d SE Gran Tourer only)
- Kidney grille, Chrome with Black vertical slats
- Exhaust tailpipe finisher, Chrome - single, round, left
- Exhaust tailpipe finisher, Chrome - twin round, left and right split (220i / 218d / 220d / 220d xDrive Gran Tourer only)

INTERIOR

- 40:20:40 manually split-folding rear seat with 60:40 manually sliding bench
- Extended storage
- Grid cloth upholstery
- Interior trim, Oxide Silver
- Automatic air conditioning, with two-zone control
- Extended lighting (Gran Tourer models only)
- Third row seating (Gran Tourer models only)
- Rear-view mirror, automatically dimming
- Sport multi-function leather steering wheel, with speed limiting function
- Door sill finishers with BMW designation, front

SAFETY & TECHNOLOGY

- Park Assist
- Park Distance Control (PDC), front and rear
- Drive Performance Control with ECO PRO, Comfort and Sport modes
- Sport automatic transmission, eight-speed (220d / 220d xDrive Active Tourer only)
- Sport Dual-clutch automatic transmission (220i only)
- Six-speed manual transmission
- Cruise control with braking function
- Servotronic
- Rain sensor, with automatic headlight activation
- xDrive all-wheel drive (220d xDrive only)

AUDIO & COMMUNICATION


- Apple CarPlay® preparation
- Bluetooth hands-free facility with USB audio interface and Bluetooth audio streaming
- BMW ConnectedDrive Services, comprising:
 - BMW Emergency Call
 - BMW Online Services
 - BMW TeleServices
 - Real Time Traffic Information (RTTI)
 - Remote Services
- BMW Navigation System (iDrive 6)
- BMW Professional radio
- DAB tuner




THE BMW 225xe ACTIVE TOURER.

Featuring innovative BMW eDrive and EfficientDynamics technologies, the BMW 225xe Active Tourer provides impressive levels of performance and efficiency. Offering the best of both worlds, this Plug-in Hybrid Electric Vehicle (PHEV) combines a powerful petrol engine with an electric motor that is powered by a lithium-ion battery, overall providing an exceptionally pure electric driving range with the flexibility of a combustion engine. The BMW 225xe Active Tourer is everything you would expect from a BMW and more, with electrifying driving pleasure, this represents the future of the Ultimate Driving Machine.


The BMW 225xe Active Tourer – plug into the future today.



Pure electric range of up to 32.3-33.6 miles (52.0-54.0km)*



Charging time 0-80% in <2.4 hours (based on a current of 16A)^



Low CO₂ emissions from 38-35g/km*



The BMW 225xe Luxury Active Tourer model is shown above in Glacier Silver metallic paint. ^ = Dependent on the local electricity infrastructure. Charging time corresponds to a charge of 80% of maximum capacity and based on a single-phase supply current of max 32A. * = These figures were obtained using a combination of battery power and fuel. The BMW 225xe Active Tourer is a Plug-in Hybrid Electric Vehicle requiring mains electricity for charging. Figures shown are for comparability purposes. Only compare fuel consumption, CO₂ and electric range figures with other cars tested to the same technical procedures. These figures may not reflect real life driving results, which will depend upon a number of factors including, accessories fitted (post-registration), variations in weather, driving styles and vehicle load. The CO₂ figures are subject to change when WLTP is used as the applicable CO₂ figure from 1 April 2020 for first year vehicle tax (VED) and from 6 April 2020 for company car tax (BIK).

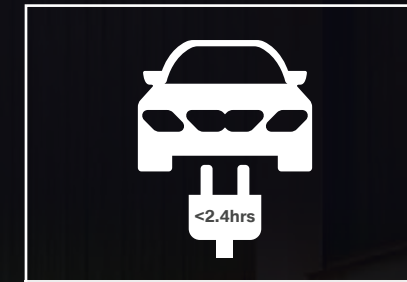
THE BMW 225xe ACTIVE TOURER.

Featuring innovative BMW eDrive and EfficientDynamics technologies, the BMW 225xe Active Tourer provides impressive levels of performance and efficiency. Offering the best of both worlds, this Plug-in Hybrid Electric Vehicle (PHEV) combines a powerful petrol engine with an electric motor that is powered by a lithium-ion battery, overall providing an exceptionally pure electric driving range with the flexibility of a combustion engine. The BMW 225xe Active Tourer is everything you would expect from a BMW and more, with electrifying driving pleasure, this represents the future of the Ultimate Driving Machine.

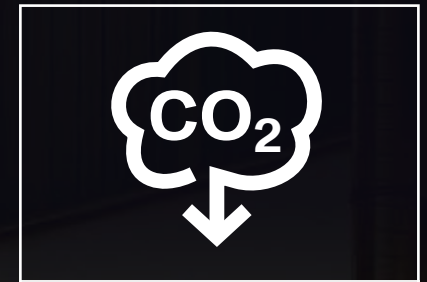
The BMW 225xe Active Tourer – plug into the future today.



Pure electric range of up to 32.3-33.6 miles (52.0-54.0km)*



Charging time 0-80% in <2.4 hours (based on a current of 16A)^



Low CO₂ emissions from 38-35g/km*

In addition / replacement to 218i models

EXTERIOR

- Exhaust tailpipe, Chrome – single, round, left

INTERIOR

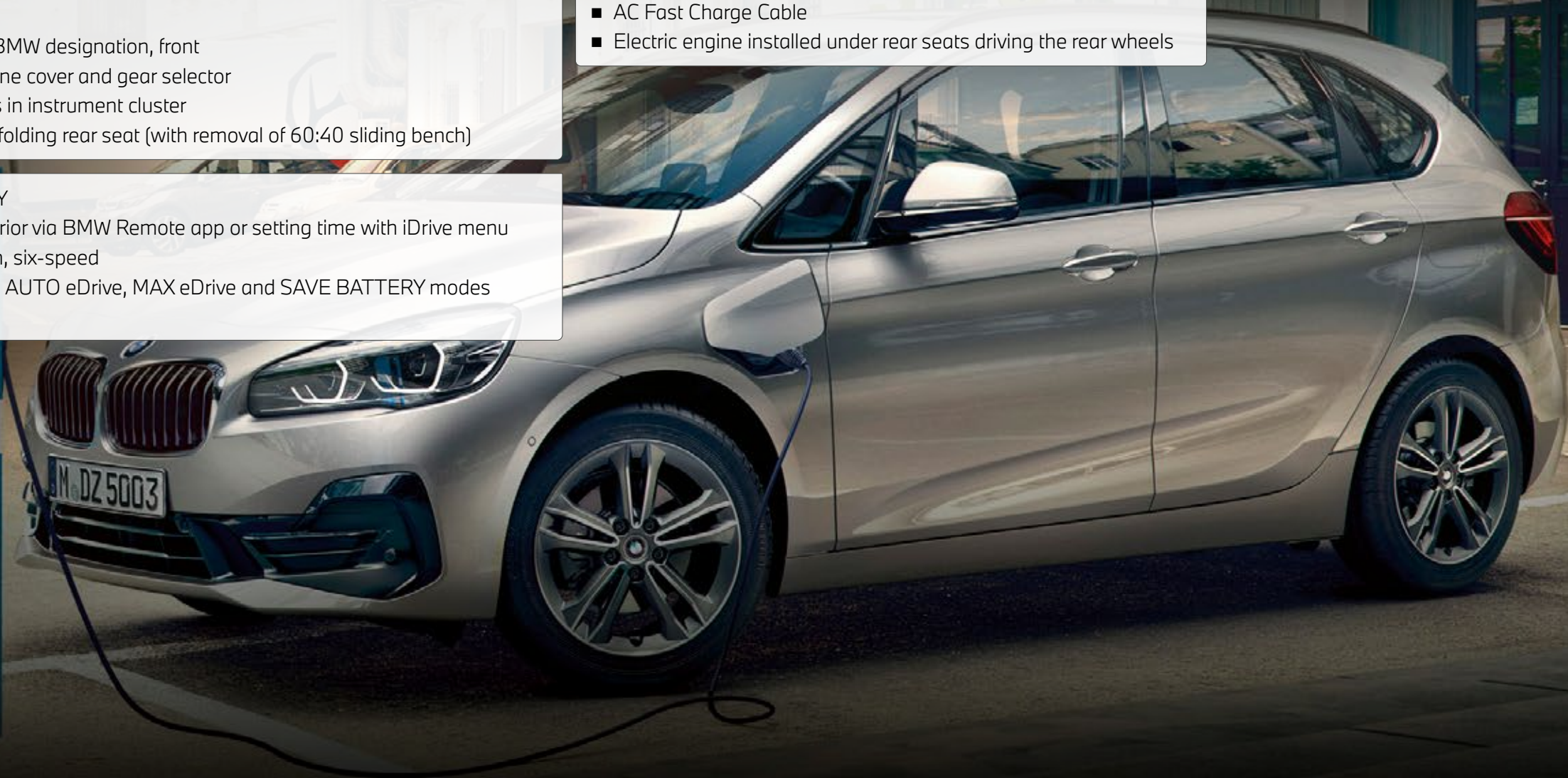
- Door sill finishers with BMW designation, front
- eDrive badging on engine cover and gear selector
- eDrive-specific displays in instrument cluster
- Manual 40:20:40 split-folding rear seat (with removal of 60:40 sliding bench)

SAFETY & TECHNOLOGY

- Pre-conditioning of interior via BMW Remote app or setting time with iDrive menu
- Automatic transmission, six-speed
- eDrive Button activates AUTO eDrive, MAX eDrive and SAVE BATTERY modes
- xDrive electric drive

CHARGING & BATTERY

- Pre-conditioning of battery for optimum operating temperature
- Illuminated charging socket with visual display of charge status
- 2.4kW AC charging with 5m charge cable
- AC Fast Charge Cable
- Electric engine installed under rear seats driving the rear wheels



The BMW 225xe Luxury Active Tourer model is shown above in Glacier Silver metallic paint. ^ = Dependent on the local electricity infrastructure. Charging time corresponds to a charge of 80% of maximum capacity and based on a single-phase supply current of max 32A. * = These figures were obtained using a combination of battery power and fuel. The BMW 225xe Active Tourer is a Plug-in Hybrid Electric Vehicle requiring mains electricity for charging. Figures shown are for comparability purposes. Only compare fuel consumption, CO₂ and electric range figures with other cars tested to the same technical procedures. These figures may not reflect real life driving results, which will depend upon a number of factors including, accessories fitted (post-registration), variations in weather, driving styles and vehicle load. The CO₂ figures are subject to change when WLTP is used as the applicable CO₂ figure from 1 April 2020 for first year vehicle tax (VED) and from 6 April 2020 for company car tax (BIK).

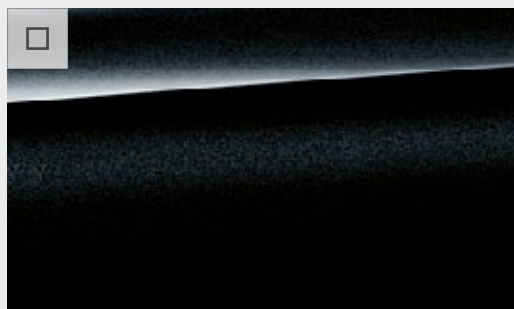
■ Standard equipment □ Optional equipment

EXTERIOR COLOURS.

ALL MODELS.



Non-metallic Alpine White



Metallic Black Sapphire



Metallic Glacier Silver



Metallic Mineral Grey



Metallic Mineral White

EXCLUSIVELY FOR SE, SPORT & LUXURY MODELS.



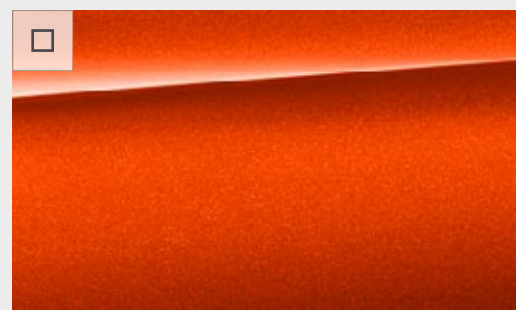
Non-metallic Jet Black



Metallic Cashmere Silver



Metallic Sparkling Brown



Metallic Sunset Orange

EXCLUSIVELY FOR SE, SPORT & LUXURY ACTIVE TOURER MODELS.



Metallic Mediterranean Blue

EXCLUSIVELY AVAILABLE FOR SE, SPORT & LUXURY GRAN TOURER MODELS.



Metallic Phytonic Blue

EXCLUSIVELY FOR M SPORT ACTIVE TOURER MODELS.



Metallic Estoril Blue

EXCLUSIVELY FOR M SPORT GRAN TOURER MODELS.



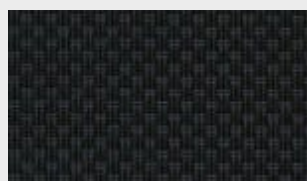
Metallic Misano Blue

Colour samples These colour samples are intended as an initial guide to the colours and materials available for your BMW. Please discuss your preferred colour choices with your BMW Centre. There you can also see original samples and be assisted with any requests.

■ Standard equipment □ Optional equipment

UPHOLSTERY & INTERIOR TRIMS.

CLOTH.



Grid cloth in Anthracite

Available with
 SE

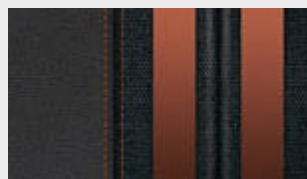
SENSATEC.



Sensatec in Black

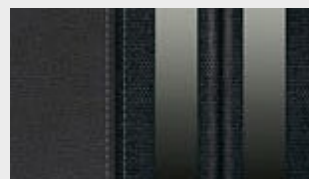
Available with
 SE

CLOTH/SENSATEC COMBINATION.



Cloth / Sensatec combination in Anthracite with Orange highlight

Available with
 Sport



Cloth / Sensatec combination in Anthracite with Grey highlight

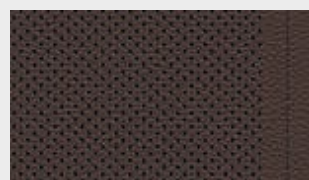
Available with
 Sport

LEATHER.



Dakota leather in Black, with a Black interior world

Available with
 SE



Dakota leather in Mocha with Chestnut stitching

Available with
 Sport
 Luxury
 M Sport



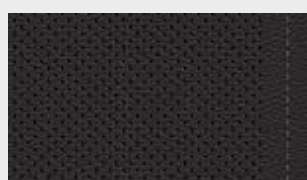
Dakota leather in Black with Blue stitching

Available with
 M Sport



Dakota leather in Oyster with Grey highlight and stitching

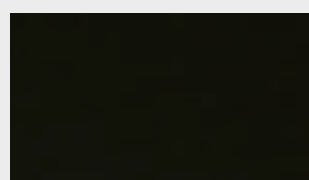
Available with
 Sport
 Luxury
 M Sport



Dakota leather in Black with Grey stitching

Available with
 Sport
 Luxury
 M Sport

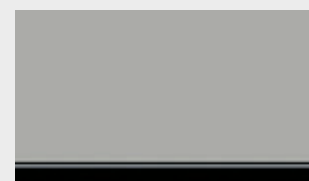
HEADLINING.



Anthracite

Available with
 M Sport

INTERIOR TRIMS.



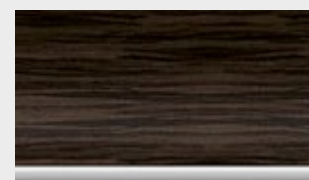
Oxide Silver with High-gloss Black finisher

Available with
 SE



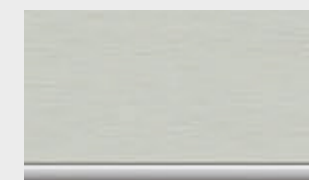
Aluminium Hexagon with Pearl Chrome finisher

Available with
 M Sport



Fineline Stream wood with Pearl Chrome finisher

Available with
 Luxury



Brushed Aluminium with Pearl Chrome finisher

Available with
 Sport
 Luxury
 M Sport



Black High-gloss with Pearl Chrome finisher

Available with
 Sport
 Luxury
 M Sport



PACKAGES.

Optional packages offer an attractive combination of the most popular options at a reduced (combined) cost and will enhance any journey in the BMW 2 Series Active Tourer and Gran Tourer.

TECHNOLOGY PACK I.

- BMW Icon Adaptive LED Headlights
- Extended Bluetooth with wireless charging
- Reversing Assist camera



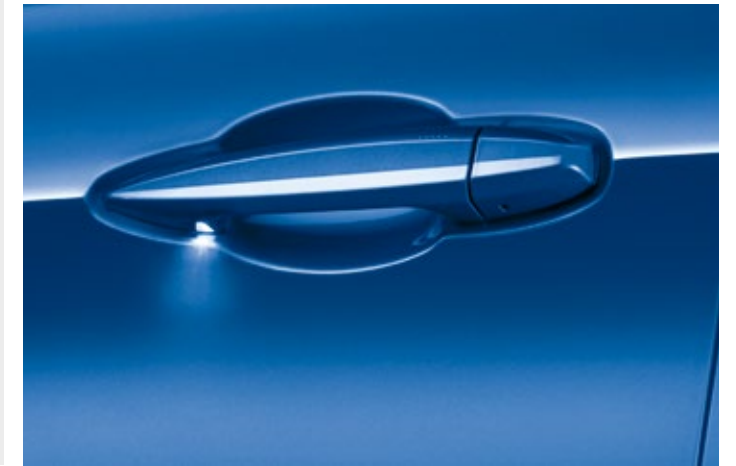
TECHNOLOGY PACK II.

- BMW Navigation Plus
- Head-up Display



COMFORT PACK I.

- Extended lighting
 - Exterior mirrors - electrically folding with anti-dazzle
 - Seat heating, driver and front passenger
- Additionally, SE models receive:
- Automatic tailgate



COMFORT PACK II.

- Comfort Access
- Seat adjustment – front, electric with driver memory
- Steering wheel heating



OPTIONAL EQUIPMENT HIGHLIGHTS.

PANORAMIC GLASS SUNROOF.

The electric Panoramic glass sunroof provides a better view and allows a great deal of light into the interior, lending it a particularly spacious and open ambience. It has an automatic integrated wind deflector, sun protection via heat reflecting glass and sliding headlining. It also has a slide and tilt function and is conveniently opened and closed via the remote key or one-touch function.



ENHANCED BLUETOOTH WITH WIRELESS CHARGING.

Enhanced Bluetooth with wireless charging offers comprehensive telephony with Bluetooth connectivity. For smartphones without an inductive charging function, charging cases are available to purchase via BMW Accessories.

Available as part of Technology Pack I.



BMW ICON ADAPTIVE LED HEADLIGHTS.

BMW Icon Adaptive LED Headlights include low and high-beam headlights (BI-LED), side lights and indicators. LED lights generate a bright light very similar to daylight and consume less energy than conventional light systems. The LED indicators are positioned above the characteristic LED daytime running lights which emit their light from three-dimensional light tubes typical of a BMW.

Available as part of Technology Pack I.



HEAD-UP DISPLAY.

Head-up Display projects all relevant driving information onto a panel in the driver's field of vision which means they can remain focused on the road. Display of full content is dependent on optional equipment ordered.

Available as part of Technology Pack II.



DUAL-CLUTCH AUTOMATIC TRANSMISSION.

All with low fuel consumption, the seven-speed dual-clutch automatic transmission offers smooth gearshifts and outstanding driving comfort.

Exclusively available for 218i and 216d models.



BMW NAVIGATION PLUS.

BMW Navigation Plus features the latest generation of BMW navigation systems with iDrive 6 (ID6) software. It features a built-in 8.8" touch display and is operated intuitively using either the iDrive Touch Controller, the direct-selection short cut keys, eight favourite buttons or the touchscreen with interactive tiles.

Available as part of Technology Pack II.



REVERSING ASSIST CAMERA.

The Reversing Assist camera enables improved orientation when reversing at speeds below 12mph (19km/h), for example, when parking. It shows the area behind the car on the Control Display. Interactive track lines for measuring distance and turning circles assist you when manoeuvring. Obstacles are marked in colour.

Available as part of Technology Pack I.



LOUDSPEAKER SYSTEM - HARMAN/KARDON

The harman/kardon loudspeaker system, with 12 speakers optimally designed to suit the interior's sound characteristics, guarantees an exceptional music experience. Tweeters and subwoofers deliver a brilliant, powerful range of sound. Elegant loudspeaker fronts feature harman/kardon lettering for a high-class look.



BMW CONNECTED DRIVE.

The BMW ConnectedDrive Services & Apps are on hand to make sure you have more time for the important things in life. Various innovations by BMW make things more convenient for you every day – whenever you want.

□ **Amazon Echo** gives you the ability to communicate with your vehicle using Voice Control and access your schedule from home.



□ **Door to door guidance** provides detailed walking directions from your parking spot to your destination. A map with a location pin also shows where you last parked once you're ready to head back to your car.



■ **Estimated time of arrival** provides you with detailed updates of your regular routes and alternative options so you can manage your journey and avoid delays.



■ With **Learned destinations** BMW Connected learns your most frequently travelled routes and provides them as future suggestions. If destinations are repeatedly visited, they are automatically listed at the usual time.



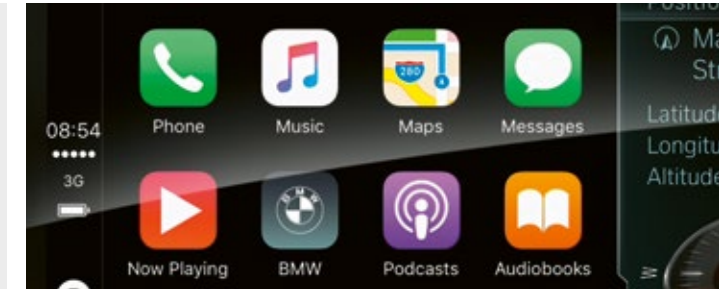
■ **Remote Services** enables you to use a smartphone to locate where your BMW is parked, to remotely lock and unlock the car and much more.



□ **Time to leave** function provides notifications on your Apple iPhone®, compatible Android phone, your Apple Watch® or Samsung Gear S3® watch, and recommends a time to leave to help you arrive on time.



■ **Apple CarPlay® preparation** enables wireless and comfortable usage of your iPhone® in your vehicle via Apple CarPlay®. Selected smartphone content can be displayed and operated via the user interface of the vehicle.



■ **BMW Emergency Call** automatically establishes a voice connection with the local emergency services without the use of a mobile phone. It transmits information about the vehicle's current location and can be triggered manually in case other road users require help.



■ **BMW Online Services** forms the basis for using the BMW ConnectedDrive functions. In addition, selected smartphone apps can be used in the vehicle, alongside the BMW ConnectedDrive Store.



■ **BMW TeleServices** transmits vehicle service data to BMW and supports the processing of servicing appointments. In the event of a breakdown, help can be requested from a BMW Centre allowing some malfunctions to be resolved remotely.

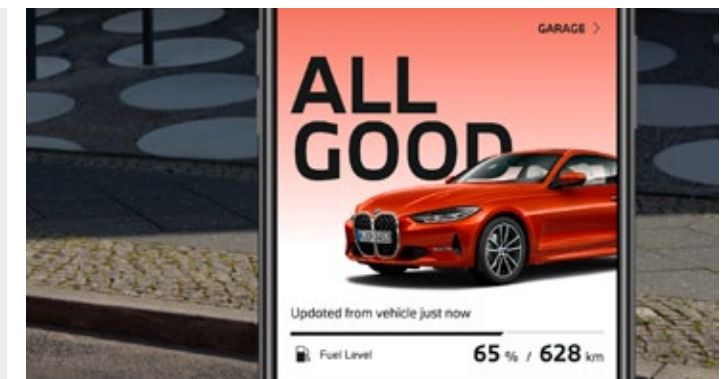


■ **Real Time Traffic Information (RTTI)** collects current traffic information about motorways, main and country roads and the most important urban routes. It relays information about delays and dangers and suggests the best alternative routes.



MY BMW APP.

The My BMW App is the direct connection inside and outside your BMW. Plan your next trip, check the status of your vehicle or use one of the remote service functions – all conveniently from your smartphone.



The information above is subject to change. Actual Control Display and content on the BMW 2 Series Active Tourer and Gran Tourer may vary from the images shown. For further details on these services, see [BMW ConnectedDrive Services](#).

■ Standard equipment □ Optional equipment

WHEELS & TYRES.

18" M LIGHT ALLOY DOUBLE-SPOKE STYLE 486 M WHEELS, FERRIC GREY.

18" M light alloy Double-spoke style 486 M wheels, Ferric Grey, 8J x 18 with 225/45 R18 tyres.

Standard for M Sport models.



18" LIGHT ALLOY STAR-SPOKE STYLE 512 WHEELS, ORBIT GREY.

18" light alloy Star-spoke style 512 wheels, Orbit Grey, 8J x 18 with 225/45 R18 tyres.

Optional for Sport and Luxury models.



17" LIGHT ALLOY MUTLI-SPOKE STYLE 547 WHEELS, FERRIC GREY.

17" light alloy Multi-spoke style 547 wheels, Ferric Grey, 7.5J x 17 with 205/55 R17 tyres.

Standard for Luxury models.



17" LIGHT ALLOY MULTI-SPOKE STYLE 546 WHEELS, REFLEX SILVER.

17" light alloy Multi-spoke style 546 wheels, Reflex Silver, 7.5 x 17 with 205/55 R17 tyres.

Not available for M Sport and 220i / 220d / 220d xDrive Gran Tourer models. Standard for 218d SE Gran Tourer models.



17" LIGHT ALLOY DOUBLE-SPOKE STYLE 549 WHEELS, ORBIT GREY.

17" light alloy Double-spoke style 549 wheels, Orbit Grey, 7.5J x 17 with 205/55 R17 tyres.

Standard for Sport models.



16" LIGHT ALLOY V-SPOKE STYLE 471 WHEELS, REFLEX SILVER.

16" light alloy V-spoke style 471 wheels, Reflex Silver, 7 J x 16 with 205/60 R16 tyres.

Standard for SE models. Not available on 218d SE Gran Tourer models.



GENUINE BMW ACCESSORIES.



ROOF BOX.

The modern roof box in Black with titanium Silver side panels has a capacity of 420 litres and is compatible with all BMW roof rack systems. Due to the fact that it can be opened from both sides and has triple central locking on each side it is convenient to load and lock for theft protection. BMW roof boxes in other sizes also available.

LUGGAGE COMPARTMENT MAT.

The durable, anti-slip, water-resistant fitted luggage mat with raised borders on all sides protects the luggage compartment from dirt and moisture.



ALL-WEATHER FLOOR MATS.

The perfectly fitted, all-weather floor mats with a raised border and elegant design protect the front footwell.



TRAVEL & COMFORT SYSTEM.

The universal holder is adjustable in terms of size and it is snapped into position into the base carrier of the Travel & Comfort System that is available separately. It provides a secure hold for a wide range of Apple and Samsung tablets with Travel & Comfort tablet safety case. It can be rotated through 360°, tilted and fixed in the desired position.



ROOF BARS.

BMW Roof Bars allow you to fit a range of items onto the roof of your car, including bike carriers and roof boxes.



REAR BIKE CARRIER.

The foldable Compact rear bike rack is light but sturdy and can carry up to 60kg (2 x 30kg). It can be quickly and securely mounted on the tow ball and transport up to two bicycles or e-bikes. When folded up, it can be stored in the luggage compartment tray, safe from spray and protected in the event of a collision.



19" M PERFORMANCE LIGHT ALLOY WHEELS.

19" BMW M Performance light alloy Double-spoke style 766 M wheels in Bicolour matt Black, bright turned.



Discover the all-round innovative solutions on offer in many categories: exterior, interior, communication & information and transport & luggage compartment. Your BMW Centre will be happy to advise you and provide information about the entire range of Genuine BMW Accessories. For further information, please visit www.bmw.co.uk/accessories

PRICING INFORMATION.

THE BMW 2 SERIES ACTIVE TOURER.

PETROL & PLUG-IN HYBRID



	218i SE	218i Sport	218i Luxury	218i M Sport	220i SE	220i Sport	220i Luxury	220i M Sport	225xe Sport	225xe Luxury	225xe M Sport
--	---------	------------	-------------	--------------	---------	------------	-------------	--------------	-------------	--------------	---------------

Basic price (excluding VAT)	£21,600.00	£22,791.67	£23,416.67	£24,250.00	£24,595.83	£25,787.50	£26,412.50	£27,245.83	£30,100.00	£30,725.00	£31,558.33
VAT 20%	£4,320.00	£4,558.33	£4,683.33	£4,850.00	£4,919.17	£5,157.50	£5,282.50	£5,449.17	£6,020.00	£6,145.00	£6,311.67
RRP (including VAT)	£25,920	£27,350	£28,100	£29,100	£29,515	£30,945	£31,695	£32,695	£36,120	£36,870	£37,870
On the road price from	£27,040	£28,470	£29,220	£30,220	£30,635	£32,065	£32,815	£33,815	£37,025	£37,775	£38,775
P11d value – Manual	£26,770	£28,200	£28,950	£29,950	-	-	-	-	-	-	-
P11d value – Automatic	£28,120	£29,550	£30,300	£31,300	£30,365	£31,795	£32,545	£33,545	£36,970	£37,720	£38,720
BIK tax rate (2020 / 2021)	31%-30% (31%-30%)	31%-30% (31%-30%)	31%-30% (31%-30%)	31%-30% (31%-30%)	(32%-31%)	(32%-31%)	(32%-31%)	(32%-31%)	(10%)	(10%)	(10%)
Insurance group	14	14	14	15	20	21	21	21	22	22	23
RDE2 Compliant (Y / N)	Y	Y	Y	Y	Y	Y	Y	Y	Y	Y	Y

PRICES AND SPECIFICATIONS

BMW (UK) Limited reserves the right to alter prices and specifications without notice. BMW (UK) Limited has made every effort to ensure the accuracy of information but does not accept liability for any errors or omissions.

VED RATES

Annual VED (second year onwards), for cars costing over £40,000, is payable for five years. VED rates for brand new cars are determined by their CO₂ emissions figure. First year VED applies to the first year of ownership. Annual VED rates apply thereafter. The BMW 2 Series Active Tourer models fall into one of the categories listed below:

CO ₂ emissions (g/km)	1-50	51-75	76-90	91-100	101-110	111-130	131-150	151-170	171-190	191-225	226-255	Over 255
First year VED (petrol and RDE2 diesel)	£10	£25	£110	£135	£155	£175	£215	£540	£870	£1,305	£1,850	£2,175
First year VED (alternative)	£0	£15	£100	£125	£145	£165	£205	£530	£860	£1,295	£1,840	£2,165
Annual VED – second year onwards (standard rate for petrol and diesel)	£150	£150	£150	£150	£150	£150	£150	£150	£150	£150	£150	£150
Annual VED – second year onwards (standard rate for alternative fuel vehicles)	£140	£140	£140	£140	£140	£140	£140	£140	£140	£140	£140	£140
Annual VED – second year onwards (petrol and diesel cars over £40,000)	£475	£475	£475	£475	£475	£475	£475	£475	£475	£475	£475	£475
Annual VED – second year onwards (alternative fuel vehicles over £40,000)	£465	£465	£465	£465	£465	£465	£465	£465	£465	£465	£465	£465

ON THE ROAD PRICE

The recommended on the road price includes:

Delivery and BMW Emergency Service	£825
Number plates	£25
Vehicle first registration fee	£55
First year Vehicle Excise Duty	See left

For Plug-in Hybrid Electric Vehicles the figures were obtained using a combination of battery power and fuel. Plug-in Hybrid Electric Vehicles require mains electricity for charging. Figures shown are for comparability purposes. Only compare fuel consumption, CO₂ and electric range figures with other cars tested to the same technical procedures. These figures may not reflect real life driving results, which will depend upon a number of factors including the starting charge of the battery, accessories fitted (post-registration), variations in weather, driving styles and vehicle load. The CO₂ figures are subject to change when WLTP is used as the applicable CO₂ figure from 1 April 2020 for first year vehicle tax (VED) and from 6 April 2020 for company car tax (BIK). Figures in () apply to cars with automatic transmission. Insurance group figures refer to 50 Group Rating System.

PRICING INFORMATION.

THE BMW 2 SERIES ACTIVE TOURER.
DIESEL



	216d SE	216d Sport	216d Luxury	216d M Sport	218d SE	218d Sport	218d Luxury	218d M Sport	220d SE	220d Sport	220d Luxury	220d M Sport	220d xDrive SE	220d xDrive Sport	220d xDrive Luxury	220d xDrive M Sport
--	---------	------------	-------------	--------------	---------	------------	-------------	--------------	---------	------------	-------------	--------------	----------------	-------------------	--------------------	---------------------

Basic price (excluding VAT)	£22,412.50	£23,604.17	£24,229.17	£25,062.50	£23,475.00	£24,666.67	£25,291.67	£26,125.00	£26,341.67	£27,533.33	£28,158.33	£28,991.67	£27,591.67	£28,783.33	£29,408.33	£30,241.67
VAT 20%	£4,482.50	£4,720.83	£4,845.83	£5,012.50	£4,695.00	£4,933.33	£5,058.33	£5,225.00	£5,268.33	£5,506.67	£5,631.67	£5,798.33	£5,518.33	£5,756.67	£5,881.67	£6,048.33
RRP (including VAT)	£26,895	£28,325	£29,075	£30,075	£28,170	£29,600	£30,350	£31,350	£31,610	£33,040	£33,790	£34,790	£33,110	£34,540	£35,290	£36,290
On the road price from	£27,975	£29,405	£30,155	£31,155	£29,250	£30,720	£31,470	£32,470	£32,730	£34,160	£34,910	£35,910	£34,230	£35,660	£36,410	£37,410
P11d value – Manual	£27,745	£29,175	£29,925	£30,925	£29,020	£30,450	£31,200	£32,200	-	-	-	-	-	-	-	-
P11d value – Automatic	£29,095	£30,525	£31,275	£32,275	£30,620	£32,050	£32,800	£33,800	£32,460	£33,890	£34,640	£35,640	£33,960	£35,390	£36,140	£37,140
BIK tax rate (2020 / 2021)	28% (29%-28%)	28% (29%-28%)	28% (29%-28%)	29%-28% (29%-28%)	29% (30%)	30%-29% (31%-30%)	30%-29% (31%-30%)	30%-29% (31%-30%)	(30%)	(31%-30%)	(31%-30%)	(31%-30%)	(32%-31%)	(32%)	(32%-31%)	(32%)
Insurance group	11	12	12	12	15	16	16	16	21	21	21	22	21	21	22	22
RDE2 Compliant (Y / N)	Y	Y	Y	Y	Y	Y	Y	Y	Y	Y	Y	Y	Y	Y	Y	Y

PRICES AND SPECIFICATIONS

BMW (UK) Limited reserves the right to alter prices and specifications without notice. BMW (UK) Limited has made every effort to ensure the accuracy of information but does not accept liability for any errors or omissions.

VED RATES

Annual VED (second year onwards), for cars costing over £40,000, is payable for five years. VED rates for brand new cars are determined by their CO₂ emissions figure. First year VED applies to the first year of ownership. Annual VED rates apply thereafter. The BMW 2 Series Active Tourer models fall into one of the categories listed below:

CO ₂ emissions (g/km)	1-50	51-75	76-90	91-100	101-110	111-130	131-150	151-170	171-190	191-225	226-255	Over 255
First year VED (petrol and RDE2 diesel)	£10	£25	£110	£135	£155	£175	£215	£540	£870	£1,305	£1,850	£2,175
Annual VED – second year onwards (standard rate for petrol and diesel)	£150	£150	£150	£150	£150	£150	£150	£150	£150	£150	£150	£150
Annual VED – second year onwards (petrol and diesel cars over £40,000)	£475	£475	£475	£475	£475	£475	£475	£475	£475	£475	£475	£475

ON THE ROAD PRICE

The recommended on the road price includes:

Delivery and BMW Emergency Service	£825
Number plates	£25
Vehicle first registration fee	£55
First year Vehicle Excise Duty	See left

For Plug-in Hybrid Electric Vehicles the figures were obtained using a combination of battery power and fuel. Plug-in Hybrid Electric Vehicles require mains electricity for charging. Figures shown are for comparability purposes. Only compare fuel consumption, CO₂ and electric range figures with other cars tested to the same technical procedures. These figures may not reflect real life driving results, which will depend upon a number of factors including the starting charge of the battery, accessories fitted (post-registration), variations in weather, driving styles and vehicle load. The CO₂ figures are subject to change when WLTP is used as the applicable CO₂ figure from 1 April 2020 for first year vehicle tax (VED) and from 6 April 2020 for company car tax (BIK). Figures in () apply to cars with automatic transmission. Insurance group figures refer to 50 Group Rating System.

PRICING INFORMATION.

THE BMW 2 SERIES GRAN TOURER.
PETROL



	218i SE	218i Sport	218i Luxury	218i M Sport	220i Sport	220i Luxury	220i M Sport
--	---------	------------	-------------	--------------	------------	-------------	--------------

Basic price (excluding VAT)	£23,195.83	£24,237.50	£24,862.50	£25,695.83	£27,233.33	£27,858.33	£28,691.67
VAT 20%	£4,639.17	£4,847.50	£4,972.50	£5,139.17	£5,446.67	£5,571.67	£5,738.33
RRP (including VAT)	£27,835	£29,085	£29,835	£30,835	£32,680	£33,430	£34,430
On the road price from	£28,955	£30,205	£30,955	£31,955	£33,800	£34,550	£35,550
P11d value – Manual	£28,685	£29,935	£30,685	£31,685	-	-	-
P11d value – Automatic	£30,035	£31,285	£32,035	£33,035	£33,530	£34,280	£35,280
BIK tax rate (2020 / 2021)	32%-31% (32%-31%)	33%-32% (33%-32%)	32% (33%-31%)	32% (32%)	(33%-32%)	(33%-32%)	(33%-32%)
Insurance group	15	15	15	15	21	21	21
RDE2 Compliant (Y / N)	Y	Y	Y	Y	Y	Y	Y

PRICES AND SPECIFICATIONS

BMW (UK) Limited reserves the right to alter prices and specifications without notice. BMW (UK) Limited has made every effort to ensure the accuracy of information but does not accept liability for any errors or omissions.

VED RATES

Annual VED (second year onwards), for cars costing over £40,000, is payable for five years. VED rates for brand new cars are determined by their CO₂ emissions figure. First year VED applies to the first year of ownership. Annual VED rates apply thereafter. The BMW 2 Series Gran Tourer models fall into one of the categories listed below:

CO ₂ emissions (g/km)	1-50	51-75	76-90	91-100	101-110	111-130	131-150	151-170	171-190	191-225	226-255	Over 255
First year VED (petrol and RDE2 diesel)	£10	£25	£110	£135	£155	£175	£215	£540	£870	£1,305	£1,850	£2,175
Annual VED – second year onwards (standard rate for petrol and diesel cars)	£150	£150	£150	£150	£150	£150	£150	£150	£150	£150	£150	£150
Annual VED – second year onwards (petrol and diesel cars over £40,000)	£475	£475	£475	£475	£475	£475	£475	£475	£475	£475	£475	£475

ON THE ROAD PRICE

The recommended on the road price includes:

Delivery and BMW Emergency Service	£825
Number plates	£25
Vehicle first registration fee	£55
First year Vehicle Excise Duty	See left

Figures shown are for comparability purposes; only compare fuel consumption and CO₂ figures with other cars tested to the same technical procedures. These figures may not reflect real life driving results, which will depend upon a number of factors including the accessories fitted (post-registration), variations in weather, driving styles and vehicle load. The CO₂ figures are subject to change when WLTP is used as the applicable CO₂ figure from 1 April 2020 for first year vehicle tax (VED) and from 6 April 2020 for company car tax (BIK). Figures in () apply to cars with automatic transmission. Insurance group figures refer to 50 Group Rating System.

PRICING INFORMATION.

THE BMW 2 SERIES GRAN TOURER.
DIESEL



	216d SE	216d Sport	216d Luxury	216d M Sport	218d SE	218d Sport	218d Luxury	218d M Sport	220d Sport	220d Luxury	220d M Sport	220d xDrive Sport	220d xDrive Luxury	220d xDrive M Sport
--	---------	------------	-------------	--------------	---------	------------	-------------	--------------	------------	-------------	--------------	-------------------	--------------------	---------------------

Basic price (excluding VAT)	£24,012.50	£25,054.17	£25,679.17	£26,512.50	£25,075.00	£26,116.67	£26,741.67	£27,575.00	£28,983.33	£29,608.33	£30,441.67	£30,233.33	£30,858.33	£31,691.67
VAT 20%	£4,802.50	£5,010.83	£5,135.83	£5,302.50	£5,015.00	£5,223.33	£5,348.33	£5,515.00	£5,796.67	£5,921.67	£6,088.33	£6,046.67	£6,171.67	£6,338.33
RRP (including VAT)	£28,815	£30,065	£30,815	£31,815	£30,090	£31,340	£32,090	£33,090	£34,780	£35,530	£36,530	£36,280	£37,030	£38,030
On the road price from	£29,935	£31,185	£31,935	£32,935	£31,210	£32,460	£33,210	£34,210	£35,900	£36,650	£37,650	£37,400	£38,150	£39,150
P11d value – Manual	£29,665	£30,915	£31,665	£32,665	£30,940	£32,190	£32,940	£33,940	-	-	-	-	-	-
P11d value – Automatic	£31,015	£32,265	£33,015	£34,015	£32,540	£33,790	£34,540	£35,540	£35,630	£36,380	£37,380	£37,130	£37,880	£38,880
BIK tax rate (2020 / 2021)	30%-29% (30%-29%)	30%-29% (30%)	30%-29% (30%)	30%-29% (30%)	31%-30% (32%-31%)	31%-30% (32%-31%)	31%-30% (32%-31%)	31%-30% (32%-31%)	(32%-31%)	(32%-31%)	(32%-31%)	(33%)	(33%)	(33%)
Insurance group	11	11	11	12	16	17	17	17	20	21	21	21	22	22
RDE2 Compliant (Y / N)	Y	Y	Y	Y	Y	Y	Y	Y	Y	Y	Y	Y	Y	Y

PRICES AND SPECIFICATIONS

BMW (UK) Limited reserves the right to alter prices and specifications without notice. BMW (UK) Limited has made every effort to ensure the accuracy of information but does not accept liability for any errors or omissions.

VED RATES

Annual VED (second year onwards), for cars costing over £40,000, is payable for five years. VED rates for brand new cars are determined by their CO₂ emissions figure. First year VED applies to the first year of ownership. Annual VED rates apply thereafter. The BMW 2 Series Gran Tourer models fall into one of the categories listed below:

CO ₂ emissions (g/km)	1-50	51-75	76-90	91-100	101-110	111-130	131-150	151-170	171-190	191-225	226-255	Over 255
First year VED (petrol and RDE2 diesel)	£10	£25	£110	£135	£155	£175	£215	£540	£870	£1,305	£1,850	£2,175
Annual VED – second year onwards (standard rate for petrol and diesel cars)	£150	£150	£150	£150	£150	£150	£150	£150	£150	£150	£150	£150
Annual VED – second year onwards (petrol and diesel cars over £40,000)	£475	£475	£475	£475	£475	£475	£475	£475	£475	£475	£475	£475

ON THE ROAD PRICE

The recommended on the road price includes:

Delivery and BMW Emergency Service	£825
Number plates	£25
Vehicle first registration fee	£55
First year Vehicle Excise Duty	See left

Figures shown are for comparability purposes; only compare fuel consumption and CO₂ figures with other cars tested to the same technical procedures. These figures may not reflect real life driving results, which will depend upon a number of factors including the accessories fitted (post-registration), variations in weather, driving styles and vehicle load. The CO₂ figures are subject to change when WLTP is used as the applicable CO₂ figure from 1 April 2020 for first year vehicle tax (VED) and from 6 April 2020 for company car tax (BIK). Figures in () apply to cars with automatic transmission. Insurance group figures refer to 50 Group Rating System.

TECHNICAL INFORMATION.

THE BMW 2 SERIES ACTIVE TOURER.

PETROL & PLUG-IN HYBRID



	218i SE	218i Sport	218i Luxury	218i M Sport	220i SE	220i Sport	220i Luxury	220i M Sport	225xe Sport	225xe Luxury	225xe M Sport
--	---------	------------	-------------	--------------	---------	------------	-------------	--------------	-------------	--------------	---------------

Power output (hp)	136	136	136	136	178	178	178	178	220 [^]	220 [^]	220 [^]
0-62mph / 0-100km/h (secs)	9.3 (9.3)	9.3 (9.3)	9.3 (9.3)	9.3 (9.3)	(7.3)	(7.3)	(7.3)	(7.3)	(6.7)	(6.7)	(6.7)
Fuel consumption – combined (mpg)*	45.6-47.1 (45.6-47.1)	44.8-46.3 (44.8-46.3)	45.6-47.1 (44.8-47.1)	44.8-46.3 (44.8-46.3)	(44.1-45.6)	(44.1-45.6)	(44.1-45.6)	(43.5-44.8)	(166.2-176.6)**	(166.2-188.3)**	(166.2-176.6)**
Fuel consumption – combined (l/100km)*	6.2-6.0 (6.2-6.0)	6.3-6.1 (6.3-6.1)	6.2-6.0 (6.3-6.0)	6.3-6.1 (6.3-6.1)	(6.4-6.2)	(6.4-6.2)	(6.4-6.2)	(6.5-6.3)	(1.7-1.6)**	(1.7-1.5)**	(1.7-1.6)**
CO ₂ emissions – combined (g/km)*	141-137 (142-137)	142-138 (143-138)	142-137 (142-138)	143-139 (143-139)	(146-141)	(147-142)	(146-142)	(147-143)	(38-36)**	(38-35)**	(38-37)**
Electric energy consumption – weighted combined (miles/kWh)*	-	-	-	-	-	-	-	-	(4.2-4.3)	(4.2-4.3)	(4.2)
Electric energy consumption – weighted combined (km/kWh)*	-	-	-	-	-	-	-	-	(14.8-14.5)	(14.8-14.5)	(14.9-14.7)
Equivalent all-electric range (miles)*	-	-	-	-	-	-	-	-	(32.9-33.6)	(32.9-33.6)	(32.3-32.9)
Equivalent all electric range (km)*	-	-	-	-	-	-	-	-	(53.0-54.0)	(53.0-54.0)	(52.0-53.0)

CO₂ value will vary dependent on vehicle specification. Build your BMW and view the CO₂ figure for your chosen model [here](#). * = For Plug-in Hybrid Electric Vehicles these figures were obtained using a combination of battery power and fuel. Plug-in Hybrid Electric Vehicles require mains electricity for charging. Figures shown are for comparability purposes. Only compare fuel consumption, CO₂ and electric range figures with other cars tested to the same technical procedures. These figures may not reflect real life driving results, which will depend upon a number of factors including the starting charge of the battery, accessories fitted (post-registration), variations in weather, driving styles and vehicle load. The CO₂ figures shown above are subject to change when WLTP is used as the applicable CO₂ figure from 1 April 2020 for first year vehicle tax (VED) and from 6 April 2020 for company car tax (BIK). ** = Figures shown are weighted combined. ^ = Combined power from Petrol and Electric engines. Figures in () apply to cars with automatic transmission.

TECHNICAL INFORMATION.

THE BMW 2 SERIES ACTIVE TOURER.
DIESEL



	216d SE	216d Sport	216d Luxury	216d M Sport	218d SE	218d Sport	218d Luxury	218d M Sport	220d SE	220d Sport	220d Luxury	220d M Sport	220d xDrive SE	220d xDrive Sport	220d xDrive Luxury	220d xDrive M Sport
--	---------	------------	-------------	--------------	---------	------------	-------------	--------------	---------	------------	-------------	--------------	----------------	-------------------	--------------------	---------------------

Power output (hp)	116	116	116	116	150	150	150	150	190	190	190	190	190	190	190	190
0-62mph / 0-100km/h (secs)	11.1 (11.1)	11.1 (11.1)	11.1 (11.1)	11.1 (11.1)	9.0 (9.1)	9.0 (9.1)	9.0 (9.1)	9.0 (9.1)	(7.6)	(7.6)	(7.6)	(7.6)	(7.5)	(7.5)	(7.5)	(7.5)
Fuel consumption – combined (mpg)*	57.6-58.9 (56.5-58.9)	57.6-58.9 (56.5-57.6)	57.6-58.9 (56.5-57.6)	56.5-58.9 (55.4-57.6)	55.4-56.5 (53.3-54.3)	54.3-56.5 (52.3-54.3)	54.3-56.5 (52.3-54.3)	54.3-56.5 (52.3-54.3)	(53.3-54.3)	(52.3-54.3)	(52.3-54.3)	(52.3-54.3)	(50.4-51.4)	(49.6-51.4)	(49.6-51.4)	(49.6-51.4)
Fuel consumption – combined (l/100km)*	4.9-4.8 (5.0-4.8)	4.9-4.8 (5.0-4.9)	4.9-4.8 (5.0-4.9)	5.0-4.8 (5.1-4.9)	5.1-5.0 (5.3-5.2)	5.2-5.0 (5.4-5.2)	5.2-5.0 (5.4-5.2)	5.2-5.0 (5.4-5.2)	(5.3-5.2)	(5.4-5.2)	(5.4-5.2)	(5.4-5.2)	(5.6-5.5)	(5.7-5.5)	(5.7-5.5)	(5.7-5.5)
CO ₂ emissions – combined (g/km)*	129-125 (131-127)	129-125 (132-128)	129-125 (132-127)	130-126 (132-129)	134-130 (139-135)	135-131 (140-136)	135-131 (140-135)	136-132 (141-137)	(139-136)	(140-136)	(140-136)	(141-137)	(147-144)	(148-145)	(148-144)	(149-145)

CO₂ value will vary dependent on vehicle specification. Build your BMW and view the CO₂ figure for your chosen model [here](#). * = For Plug-in Hybrid Electric Vehicles these figures were obtained using a combination of battery power and fuel. Plug-in Hybrid Electric Vehicles require mains electricity for charging. Figures shown are for comparability purposes. Only compare fuel consumption, CO₂ and electric range figures with other cars tested to the same technical procedures. These figures may not reflect real life driving results, which will depend upon a number of factors including the starting charge of the battery, accessories fitted (post-registration), variations in weather, driving styles and vehicle load. The CO₂ figures shown above are subject to change when WLTP is used as the applicable CO₂ figure from 1 April 2020 for first year vehicle tax (VED) and from 6 April 2020 for company car tax (BIK). ** = Figures shown are weighted combined. Figures in () apply to cars with automatic transmission.

TECHNICAL INFORMATION.

THE BMW 2 SERIES GRAN TOURER.
PETROL



218i SE

218i Sport

218i Luxury

218i M Sport

220i Sport

220i Luxury

220i M Sport

Power output (hp)	136	136	136	136	178	178	178
0-62mph / 0-100km/h (secs)	9.8 (9.8)	9.8 (9.8)	9.8 (9.8)	9.8 (9.8)	(7.7)	(7.7)	(7.7)
Fuel consumption – combined (mpg)*	43.5-44.1 (43.5-44.8)	42.8-44.1 (42.8-44.1)	42.8-44.1 (42.8-44.1)	42.8-44.1 (42.8-44.1)	(42.2-43.5)	(42.2-43.5)	(42.2-43.5)
Fuel consumption – combined (l/100km)*	6.5-6.4 (6.5-6.3)	6.6-6.4 (6.6-6.4)	6.6-6.4 (6.6-6.4)	6.6-6.4 (6.6-6.4)	(6.7-6.5)	(6.7-6.5)	(6.7-6.5)
CO ₂ emissions – combined (g/km)*	148-144 (148-144)	150-145 (150-145)	149-145 (150-144)	149-146 (149-146)	(153-148)	(153-148)	(152-149)

CO₂ value will vary dependent on vehicle specification. Build your BMW and view the CO₂ figure for your chosen model [here](#). * = Figures shown are for comparability purposes; only compare fuel consumption and CO₂ figures with other cars tested to the same technical procedures. These figures may not reflect real life driving results, which will depend upon a number of factors including the accessories fitted (post-registration), variations in weather, driving styles and vehicle load. The CO₂ figures shown above are subject to change when WLTP is used as the applicable CO₂ figure from 1 April 2020 for first year vehicle tax (VED) and from 6 April 2020 for company car tax (BIK). Figures in () apply to cars with automatic transmission.

TECHNICAL INFORMATION.

THE BMW 2 SERIES GRAN TOURER.
DIESEL



	216d SE	216d Sport	216d Luxury	216d M Sport	218d SE	218d Sport	218d Luxury	218d M Sport	220d Sport	220d Luxury	220d M Sport	220d xDrive Sport	220d xDrive Luxury	220d xDrive M Sport
--	---------	------------	-------------	--------------	---------	------------	-------------	--------------	------------	-------------	--------------	-------------------	--------------------	---------------------

Power output (hp)	116	116	116	116	150	150	150	150	190	190	190	190	190	190
0-62mph / 0-100km/h (secs)	11.8 (11.8)	11.8 (11.8)	11.8 (11.8)	11.8 (11.8)	9.6 (9.6)	9.6 (9.6)	9.6 (9.6)	9.6 (9.6)	(8.2)	(8.2)	(8.2)	(8.0)	(8.0)	(8.0)
Fuel consumption – combined (mpg)*	54.3-56.5 (53.3-55.4)	54.3-55.4 (53.3-54.3)	54.3-56.5 (53.3-55.4)	54.3-55.4 (53.3-54.3)	52.3-53.3 (50.4-52.3)	52.3-53.3 (50.4-51.4)	52.3-54.3 (50.4-52.3)	52.3-53.3 (50.4-51.4)	(50.4-51.4)	(50.4-52.3)	(50.4-51.4)	(47.9-49.6)	(47.9-49.6)	(47.9-49.6)
Fuel consumption – combined (l/100km)*	5.2-5.0 (5.3-5.1)	5.2-5.1 (5.3-5.2)	5.2-5.0 (5.3-5.1)	5.2-5.1 (5.3-5.2)	5.4-5.3 (5.6-5.4)	5.4-5.3 (5.6-5.5)	5.4-5.2 (5.6-5.4)	5.4-5.3 (5.6-5.5)	(5.6-5.5)	(5.6-5.4)	(5.6-5.5)	(5.9-5.7)	(5.9-5.7)	(5.9-5.7)
CO ₂ emissions – combined (g/km)*	135-132 (138-134)	136-133 (139-135)	136-132 (139-135)	136-133 (139-136)	140-138 (145-142)	142-138 (147-143)	142-137 (147-142)	141-138 (146-143)	(147-143)	(147-143)	(147-144)	(154-150)	(154-150)	(153-150)

CO₂ value will vary dependent on vehicle specification. Build your BMW and view the CO₂ figure for your chosen model [here](#). * = Figures shown are for comparability purposes; only compare fuel consumption and CO₂ figures with other cars tested to the same technical procedures. These figures may not reflect real life driving results, which will depend upon a number of factors including the accessories fitted (post-registration), variations in weather, driving styles and vehicle load. The CO₂ figures shown above are subject to change when WLTP is used as the applicable CO₂ figure from 1 April 2020 for first year vehicle tax (VED) and from 6 April 2020 for company car tax (BIK). Figures in () apply to cars with automatic transmission.

OPTIONAL EQUIPMENT PRICING.



	218i SE	218i Sport	218i Luxury	218i M Sport	220i SE*	220i Sport	220i Luxury	220i M Sport	225xe Sport*	225xe Luxury*	225xe M Sport*	216d SE	216d Sport	216d Luxury	216d M Sport	218d SE	218d Sport	218d Luxury	218d M Sport	220d SE*	220d Sport	220d Luxury	220d M Sport	220d xDrive SE*	220d xDrive Sport	220d xDrive Luxury	220d xDrive M Sport	Price
--	---------	------------	-------------	--------------	----------	------------	-------------	--------------	--------------	---------------	----------------	---------	------------	-------------	--------------	---------	------------	-------------	--------------	----------	------------	-------------	--------------	-----------------	-------------------	--------------------	---------------------	-------

PAINTWORK

Non-metallic paintwork Available in Alpine White or Jet Black ¹	■	■	■	■	■	■	■	■	■	■	■	■	■	■	■	■	■	■	■	■	■	■	■	■	■	■	■	Std
Metallic paintwork Available in Black Sapphire, Cashmere Silver ¹ , Estoril Blue ^{2*} , Glacier Silver, Mediterranean Blue ^{1*} , Mineral Grey, Mineral White, Misano Blue ³ , Phytonic Blue ^{2,3} , Sparkling Brown ¹ or Sunset Orange ¹	□	□	□	□	□	□	□	□	□	□	□	□	□	□	□	□	□	□	□	□	□	□	□	□	□	□	□	£560

UPHOLSTERY

Grid cloth Available in Anthracite	■	-	-	-	■	-	-	-	-	-	-	■	-	-	-	■	-	-	-	■	-	-	-	■	-	-	-	Std
Cloth / Sensatec Available in Anthracite with Grey highlight or Anthracite with Orange highlight	-	■	-	-	-	■	-	-	■	-	-	-	■	-	-	-	■	-	-	-	■	-	-	-	■	-	-	Std
Sensatec Available in Black	□	-	-	-	□	-	-	-	-	-	-	□	-	-	-	□	-	-	-	□	-	-	-	□	-	-	-	£300
Dakota leather ⁴ – SE models Available in Black	□	-	-	-	□	-	-	-	-	-	-	□	-	-	-	□	-	-	-	□	-	-	-	□	-	-	-	£1,150
– Sport models Available in Black with Grey stitching, Mocha Brown with Chestnut stitching or Oyster with Grey highlight and stitching	-	□	-	-	-	□	-	-	□	-	-	-	□	-	-	-	□	-	-	-	□	-	-	-	□	-	-	£1,150
– Luxury models Available in Black with Grey stitching, Mocha Brown with Chestnut stitching or Oyster with Grey highlight and stitching	-	-	■	-	-	-	■	-	-	■	-	-	-	■	-	-	-	■	-	-	-	■	-	-	-	■	-	Std
– M Sport models Available in Black with Blue stitching, Black with Grey stitching, Mocha Brown with Chestnut stitching or Oyster with Grey highlight and stitching	-	-	-	■	-	-	-	■	-	-	■	-	-	-	■	-	-	-	■	-	-	-	■	-	-	-	■	Std

INTERIOR TRIMS

Aluminium Hexagon with Pearl Chrome finisher	-	-	-	■	-	-	-	■	-	-	■	-	-	-	■	-	-	-	■	-	-	-	■	-	-	-	■	Std
FineLine Stream wood with Pearl Chrome finisher	-	-	■	-	-	-	■	-	-	■	-	-	-	■	-	-	-	■	-	-	-	■	-	-	-	■	-	Std
High-gloss Black with Pearl Chrome finisher	□ ³	-	-	-	-	-	-	-	-	-	-	□ ³	-	-	-	□ ³	-	-	-	-	-	-	-	-	-	-	-	£110
	-	■	-	-	-	■	-	-	■	-	-	-	■	-	-	-	■	-	-	-	■	-	-	-	■	-	-	Std
	-	-	□	□	-	-	□	□	-	□	□	-	-	□	□	-	-	□	□	-	-	□	□	-	-	□	□	£0
Oxide Silver	■	-	-	-	■	-	-	-	-	-	-	■	-	-	-	■	-	-	-	■	-	-	-	■	-	-	-	Std
Brushed Aluminium with Pearl Chrome finisher	-	□	-	-	-	□	-	-	□	-	-	-	□	-	-	-	□	-	-	-	□	-	-	-	□	-	-	£170
	-	-	□	□	-	-	□	□	-	□	□	-	-	□	□	-	-	□	□	-	-	□	□	-	-	□	□	£0

* = Active Tourer models only. ¹ = SE, Sport and Luxury models only. ² = M Sport models only. ³ = Exclusively available for Gran Tourer models. ⁴ = Please note that some sections of the seat and interior feature synthetic leather.

■ Standard equipment □ Optional equipment - Not available



218i SE	218i Sport	218i Luxury	218i M Sport	220i SE*	220i Sport	220i Luxury	220i M Sport	225xe Sport*	225xe Luxury*	225xe M Sport*	216d SE	216d Sport	216d Luxury	216d M Sport	218d SE	218d Sport	218d Luxury	218d M Sport	220d SE*	220d Sport	220d Luxury	220d M Sport	220d xDrive SE*	220d xDrive Sport	220d xDrive Luxury	220d xDrive M Sport	Price
---------	------------	-------------	--------------	----------	------------	-------------	--------------	--------------	---------------	----------------	---------	------------	-------------	--------------	---------	------------	-------------	--------------	----------	------------	-------------	--------------	-----------------	-------------------	--------------------	---------------------	-------

PACKAGES

COMFORT PACK I Comprises: – Automatic tailgate – Extended lighting – Exterior mirrors – electrically folding with anti-dazzle – Seat heating, driver and front passenger	<input type="checkbox"/>	-	-	-	<input type="checkbox"/>	-	-	-	-	-	<input type="checkbox"/>	-	-	-	<input type="checkbox"/>	-	-	-	<input type="checkbox"/>	-	-	-	<input type="checkbox"/>	-	-	-	£950
	Comprises: – Exterior mirrors – electrically folding with anti-dazzle – Extended lighting – Seat heating for driver and front passenger	-	<input type="checkbox"/>	<input type="checkbox"/>	<input type="checkbox"/>	-	<input type="checkbox"/>	<input type="checkbox"/>	<input type="checkbox"/>	<input type="checkbox"/>	<input type="checkbox"/>	-	<input type="checkbox"/>	<input type="checkbox"/>	<input type="checkbox"/>	-	<input type="checkbox"/>	<input type="checkbox"/>	<input type="checkbox"/>	-	<input type="checkbox"/>	<input type="checkbox"/>	<input type="checkbox"/>	-	<input type="checkbox"/>	<input type="checkbox"/>	<input type="checkbox"/>
COMFORT PACK II Comprises: – Comfort Access – Seat adjustment – front, electric with driver memory – Steering wheel heating	<input type="checkbox"/>	<input type="checkbox"/>	<input type="checkbox"/>	<input type="checkbox"/>	<input type="checkbox"/>	<input type="checkbox"/>	<input type="checkbox"/>	<input type="checkbox"/>	<input type="checkbox"/>	<input type="checkbox"/>	<input type="checkbox"/>	<input type="checkbox"/>	<input type="checkbox"/>	<input type="checkbox"/>	<input type="checkbox"/>	<input type="checkbox"/>	<input type="checkbox"/>	<input type="checkbox"/>	<input type="checkbox"/>	<input type="checkbox"/>	<input type="checkbox"/>	<input type="checkbox"/>	<input type="checkbox"/>	<input type="checkbox"/>	<input type="checkbox"/>	<input type="checkbox"/>	£1,000
TECHNOLOGY PACK I Comprises: – BMW Icon Adaptive LED Headlights – Extended Bluetooth with wireless charging – Reversing Assist camera	<input type="checkbox"/>	<input type="checkbox"/>	<input type="checkbox"/>	<input type="checkbox"/>	<input type="checkbox"/>	<input type="checkbox"/>	<input type="checkbox"/>	<input type="checkbox"/>	<input type="checkbox"/>	<input type="checkbox"/>	<input type="checkbox"/>	<input type="checkbox"/>	<input type="checkbox"/>	<input type="checkbox"/>	<input type="checkbox"/>	<input type="checkbox"/>	<input type="checkbox"/>	<input type="checkbox"/>	<input type="checkbox"/>	<input type="checkbox"/>	<input type="checkbox"/>	<input type="checkbox"/>	<input type="checkbox"/>	<input type="checkbox"/>	<input type="checkbox"/>	<input type="checkbox"/>	£900
TECHNOLOGY PACK II Comprises: – BMW Navigation Plus – Head-up Display	<input type="checkbox"/>	<input type="checkbox"/>	<input type="checkbox"/>	<input type="checkbox"/>	<input type="checkbox"/>	<input type="checkbox"/>	<input type="checkbox"/>	<input type="checkbox"/>	<input type="checkbox"/>	<input type="checkbox"/>	<input type="checkbox"/>	<input type="checkbox"/>	<input type="checkbox"/>	<input type="checkbox"/>	<input type="checkbox"/>	<input type="checkbox"/>	<input type="checkbox"/>	<input type="checkbox"/>	<input type="checkbox"/>	<input type="checkbox"/>	<input type="checkbox"/>	<input type="checkbox"/>	<input type="checkbox"/>	<input type="checkbox"/>	<input type="checkbox"/>	<input type="checkbox"/>	£1,250

* = Active Tourer models only.

■ Standard equipment □ Optional equipment - Not available



	218i SE	218i Sport	218i Luxury	218i M Sport	220i SE*	220i Sport	220i Luxury	220i M Sport	225xe Sport*	225xe Luxury*	225xe M Sport*	216d SE	216d Sport	216d Luxury	216d M Sport	218d SE	218d Sport	218d Luxury	218d M Sport	220d SE*	220d Sport	220d Luxury	220d M Sport	220d xDrive SE*	220d xDrive Sport	220d xDrive Luxury	220d xDrive M Sport	Price
--	---------	------------	-------------	--------------	----------	------------	-------------	--------------	--------------	---------------	----------------	---------	------------	-------------	--------------	---------	------------	-------------	--------------	----------	------------	-------------	--------------	-----------------	-------------------	--------------------	---------------------	-------

TRANSMISSIONS

Dual-clutch automatic transmission	□	□	□	□	-	-	-	-	-	-	-	□	□	□	□	-	-	-	-	-	-	-	-	-	-	-	-	£1,350
Sport automatic transmission	-	-	-	-	-	-	-	-	-	-	-	-	-	-	-	□	□	□	□	■	■	■	■	■	■	■	■	£1,600

STEERING & CHASSIS

Adaptive suspension Not with M Sport suspension	-	-	-	□	-	-	-	□	-	-	-	-	-	-	□	-	-	-	□	-	-	□	-	-	-	□	£150
--	---	---	---	---	---	---	---	---	---	---	---	---	---	---	---	---	---	---	---	---	---	---	---	---	---	---	------

SAFETY & TECHNOLOGY

Active Cruise Control with Stop&Go function Only with Driving Assistant Plus + Automatic transmission / Sport automatic transmission / Dual-clutch automatic transmission / Sport dual-clutch automatic transmission	□	□	□	□	□	□	□	□	□	□	□	□	□	□	□	□	□	□	□	□	□	□	□	□	□	□	n/a
Driving Assistant Plus Comprises: – Camera-based Active Cruise control with Stop&Go function – City Collision Mitigation – Forward Collision Warning – High-beam Assistant – Lane Departure Warning – Preventive Pedestrian Protection – Speed-limit information – Traffic Jam Assist Only with Automatic transmission / Sport automatic transmission / Dual-clutch automatic transmission / Sport dual-clutch automatic transmission Not with Cruise Control with braking function	□	□	□	□	□	□	□	□	□	□	□	□	□	□	□	□	□	□	□	□	□	□	□	□	□	□	£1,150
Larger fuel tank capacity Increased to 61 litres	□	□	□	□	□	□	□	□	-	-	-	□	□	□	□	□	□	□	□	□	□	□	□	□	□	□	£50
Space-saver spare wheel with car jack*	□	□	□	□	□	□	□	□	-	-	-	□	□	□	□	□	□	□	□	□	□	□	□	□	□	□	£75

BMW EFFICIENT DYNAMICS

Auto Start-Stop	■	■	■	■	■	■	■	■	■	■	■	■	■	■	■	■	■	■	■	■	■	■	■	■	■	■	Std
Brake Energy Regeneration	■	■	■	■	■	■	■	■	■	■	■	■	■	■	■	■	■	■	■	■	■	■	■	■	■	■	Std
ECO PRO mode	■	■	■	■	■	■	■	■	■	■	■	■	■	■	■	■	■	■	■	■	■	■	■	■	■	■	Std
Electric Power Steering (EPS)	■	■	■	■	■	■	■	■	■	■	■	■	■	■	■	■	■	■	■	■	■	■	■	■	■	■	Std
Lightweight Engineering	■	■	■	■	■	■	■	■	■	■	■	■	■	■	■	■	■	■	■	■	■	■	■	■	■	■	Std
Optimum Shift Indicator ¹	■	■	■	■	■	■	■	■	■	■	■	■	■	■	■	■	■	■	■	■	■	■	■	■	■	■	Std
Reduced Rolling Resistance Tyres	■	■	■	■	■	■	■	■	■	■	■	■	■	■	■	■	■	■	■	■	■	■	■	■	■	■	Std

Certain BMW EfficientDynamics features may be excluded depending on the optional equipment chosen. Your BMW Centre will be pleased to provide you with more information.

* = Active Tourer models only. Only with = these options must be ordered together. Not with = these options are not available for ordering together. / = Indicates 'or'
¹ = In conjunction with automatic transmission indicator active when in manual mode.

■ Standard equipment □ Optional equipment - Not available



	218i SE	218i Sport	218i Luxury	218i M Sport	220i SE*	220i Sport	220i Luxury	220i M Sport	225xe Sport*	225xe Luxury*	225xe M Sport*	216d SE	216d Sport	216d Luxury	216d M Sport	218d SE	218d Sport	218d Luxury	218d M Sport	220d SE*	220d Sport	220d Luxury	220d M Sport	220d xDrive SE*	220d xDrive Sport	220d xDrive Luxury	220d xDrive M Sport	Price
--	---------	------------	-------------	--------------	----------	------------	-------------	--------------	--------------	---------------	----------------	---------	------------	-------------	--------------	---------	------------	-------------	--------------	----------	------------	-------------	--------------	-----------------	-------------------	--------------------	---------------------	-------

EXTERIOR EQUIPMENT

Automatic tailgate	-	■	■	■	-	■	■	■	■	■	■	-	■	■	■	-	■	■	■	-	■	■	■	-	■	■	■	Std
	□	-	-	-	□	-	-	-	-	-	-	□	-	-	-	□	-	-	-	□	-	-	-	□	-	-	-	£150
Bike rack preparation Not with Towbar, detachable	□	□	□	□	□	□	□	□	-	-	-	□	□	□	□	□	□	□	□	□	□	□	□	□	□	□	□	£160
eDrive exterior sound	-	-	-	-	-	-	-	-	□	□	□	-	-	-	-	-	-	-	-	-	-	-	-	-	-	-	£80	
Roof rails, Black ¹ Not with Roof rails, Matt Aluminium	□	□	□	□	□	□	□	□	□	□	□	□	□	□	□	□	□	□	□	□	□	□	□	□	□	□	□	£170
Roof rails, Matt Aluminium Not with Roof rails, Black	□	□	□	□	□	□	□	□	□	□	□	□	□	□	□	□	□	□	□	□	□	□	□	□	□	□	□	£245
Towbar, detachable	□	□	□	□	□	□	□	□	-	-	-	□	□	□	□	□	□	□	□	□	□	□	□	□	□	□	□	£600

INTERIOR EQUIPMENT

Luggage compartment separating net	□	□	□	□	□	□	□	□	□	□	□	□	□	□	□	□	□	□	□	□	□	□	□	□	□	□	□	£105
Lumbar support, driver and front passenger	□	□	□	□	□	□	□	□	□	□	□	□	□	□	□	□	□	□	□	□	□	□	□	□	□	□	□	£195
Panoramic glass sunroof	□	□	□	□	□	□	□	□	□	□	□	□	□	□	□	□	□	□	□	□	□	□	□	□	□	□	□	£945
Sliding rear seat bench ¹	□	□	□	□	□	□	□	□	□	□	□	□	□	□	□	□	□	□	□	□	□	□	□	□	□	□	□	£260
Steering wheel heating Included in Comfort Pack II	□	□	□	□	□	□	□	□	□	□	□	□	□	□	□	□	□	□	□	□	□	□	□	□	□	□	□	£160
Sun protection glass	□	□	□	□	□	□	□	□	□	□	□	□	□	□	□	□	□	□	□	□	□	□	□	□	□	□	□	£300

AUDIO & COMMUNICATION

Apple CarPlay [®] preparation ^{2,3,4}	■	■	■	■	■	■	■	■	■	■	■	■	■	■	■	■	■	■	■	■	■	■	■	■	■	■	■	Std
BMW Emergency Call ⁴	■	■	■	■	■	■	■	■	■	■	■	■	■	■	■	■	■	■	■	■	■	■	■	■	■	■	■	Std
BMW Navigation	■	■	■	■	■	■	■	■	■	■	■	■	■	■	■	■	■	■	■	■	■	■	■	■	■	■	■	Std
BMW Online Services ^{2,5}	■	■	■	■	■	■	■	■	■	■	■	■	■	■	■	■	■	■	■	■	■	■	■	■	■	■	■	Std
BMW TeleServices ⁴	■	■	■	■	■	■	■	■	■	■	■	■	■	■	■	■	■	■	■	■	■	■	■	■	■	■	■	Std
Connected eDrive Services ^{2,6}	-	-	-	-	-	-	-	-	■	■	■	-	-	-	-	-	-	-	-	-	-	-	-	-	-	-	Std	
Loudspeaker system – harman/kardon	□	□	□	□	□	□	□	□	□	□	□	□	□	□	□	□	□	□	□	□	□	□	□	□	□	□	□	£600
Real Time Traffic Information (RTTI) ^{2,5}	■	■	■	■	■	■	■	■	■	■	■	■	■	■	■	■	■	■	■	■	■	■	■	■	■	■	■	Std
Remote Services ^{2,4}	■	■	■	■	■	■	■	■	-	-	-	■	■	■	■	■	■	■	■	■	■	■	■	■	■	■	■	Std

* = Active Tourer models only. Not with = these options are not available for ordering together. ¹ = Standard for Gran Tourer models. ² = Requires a free BMW ConnectedDrive account. ³ = Compatibility and functions may vary due to the model year of the iPhone[®] and the version of software installed on it. Functions using a data connection will use data from the SIM card in the iPhone[®]. Additional data charges may be applied by the mobile network provider. ⁴ = Available and active without runtime limitations. Usage cannot be guaranteed permanently due to potential future technical developments (e.g. of the Service availability and/or Smartphone compatibility/operating systems). ⁵ = Active for 3 years, renewable thereafter. ⁶ = Features the full functionality of Remote Services, available and active without runtime limitations.



218i SE	218i Sport	218i Luxury	218i M Sport	220i SE*	220i Sport	220i Luxury	220i M Sport	225xe Sport*	225xe Luxury*	225xe M Sport*	216d SE	216d Sport	216d Luxury	216d M Sport	218d SE	218d Sport	218d Luxury	218d M Sport	220d SE*	220d Sport	220d Luxury	220d M Sport	220d xDrive SE*	220d xDrive Sport	220d xDrive Luxury	220d xDrive M Sport	Price
---------	------------	-------------	--------------	----------	------------	-------------	--------------	--------------	---------------	----------------	---------	------------	-------------	--------------	---------	------------	-------------	--------------	----------	------------	-------------	--------------	-----------------	-------------------	--------------------	---------------------	-------

LIGHT ALLOY WHEELS

	16" V-spoke style 471	■	-	-	-	■	-	-	-	-	-	■	-	-	■*	-	-	-	■	-	-	-	-	■	-	-	Std
	17" Double-spoke style 549	-	■	-	-	-	■	-	-	■	-	-	■	-	-	■	-	-	-	■	-	-	-	■	-	-	Std
	17" Multi-spoke style 546	□	-	-	-	□	-	-	-	-	-	□	-	-	□*	-	-	-	□	-	-	-	□	-	-	£495	
		-	□	□	-	-	□*	□*	-	□	□	-	-	□	□	■ ¹	□	□	-	-	□*	□*	-	-	□*	□*	-
	17" Multi-spoke style 547	-	-	■	-	-	-	■	-	-	■	-	-	■	-	-	■	-	-	■	-	-	-	-	■	-	Std
	18" M Double-spoke style 486	-	-	-	■	-	-	-	■	-	-	-	■	-	-	-	-	■	-	-	■	-	-	-	-	■	Std
	18" Star-spoke style 512	-	□	□	-	-	□	□	-	□	□	-	□	□	-	□	□	-	-	□	□	-	-	□	□	-	£545

See [Wheels & Tyres](#) for further details. BMW Winter Tyre Packages are available on the BMW 2 Series Active Tourer and Gran Tourer. Please contact your local BMW Centre for more information.

* = Active Tourer models only. ¹ = Available for BMW Gran Tourer models only.

■ Standard equipment □ Optional equipment - Not available



225xe Sport*	225xe Luxury*	225xe M Sport*
--------------	---------------	----------------

Price

360° ELECTRIC

Digital Charging Service – 12 months subscription ¹	■	■	■	n/a
Home charging: BMW i Wallbox Connect (32 Amp) with Standard Installation ²	□	□	□	From £975 ⁺
Public Charging: BMW i AC Rapid Charge Cable (5 metre length) – Max 32 Amp 3-phase public charging cable, Type 2 connectors	■	■	■	n/a
Public Charging: BMW i AC Fast Charge Cable (8 metre length) – Max 32 Amp 1-phase public charging cable, Type 2 connectors	□	□	□	£195
Public charging: ChargeNow – Pay as you go charging ³	□	□	□	£7.85 per month
Assistance Services – BMW i Mobile Care – Battery Warranty – Vehicle Warranty	■	■	■	n/a

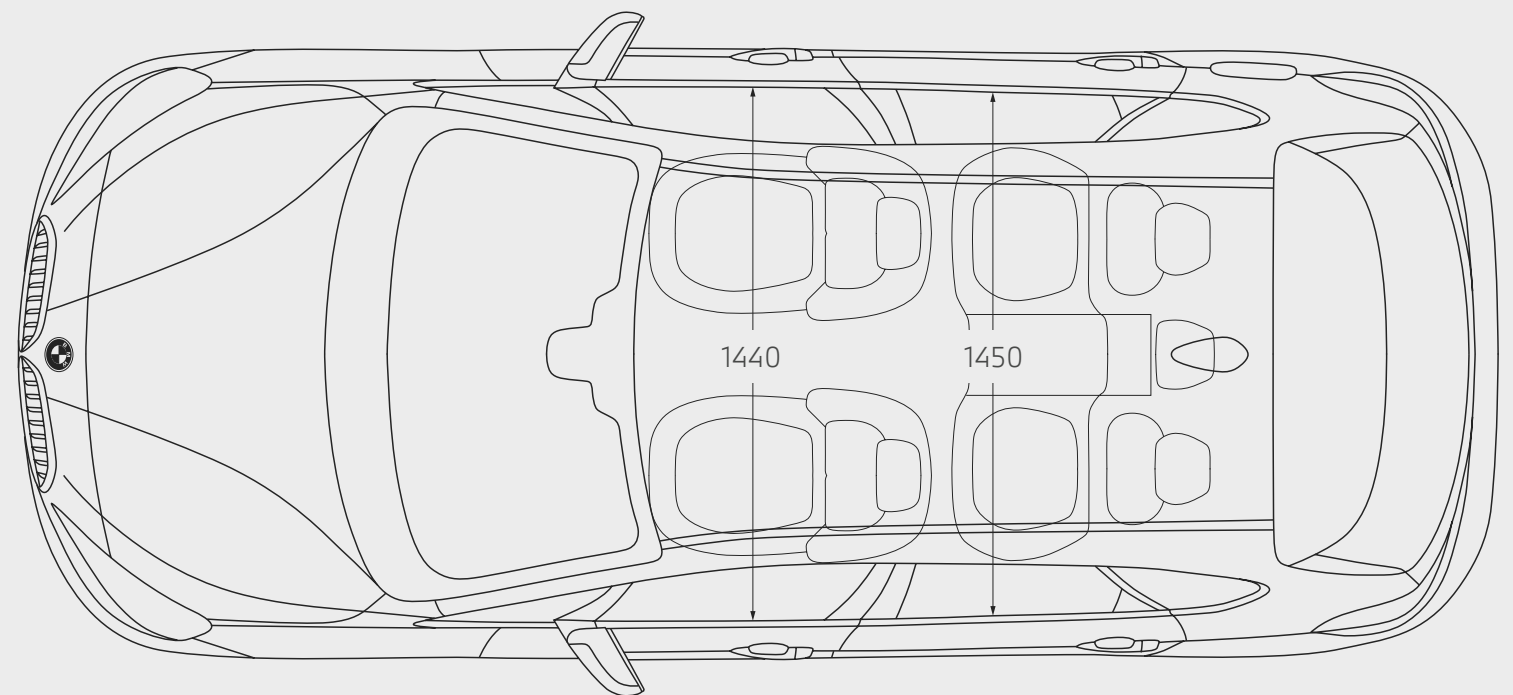
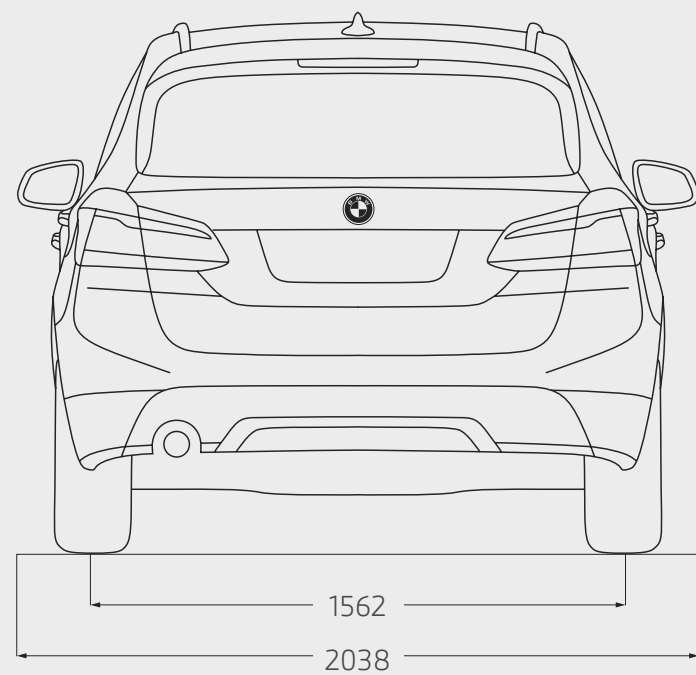
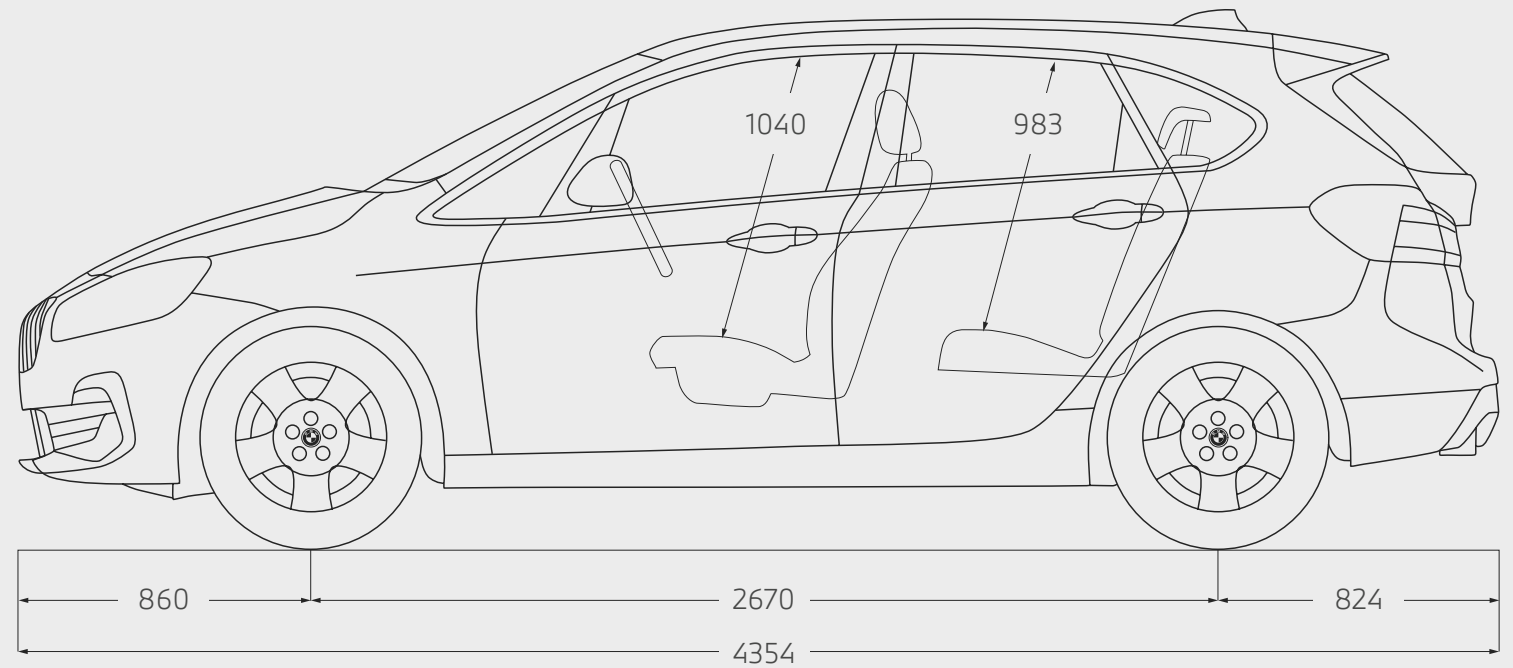
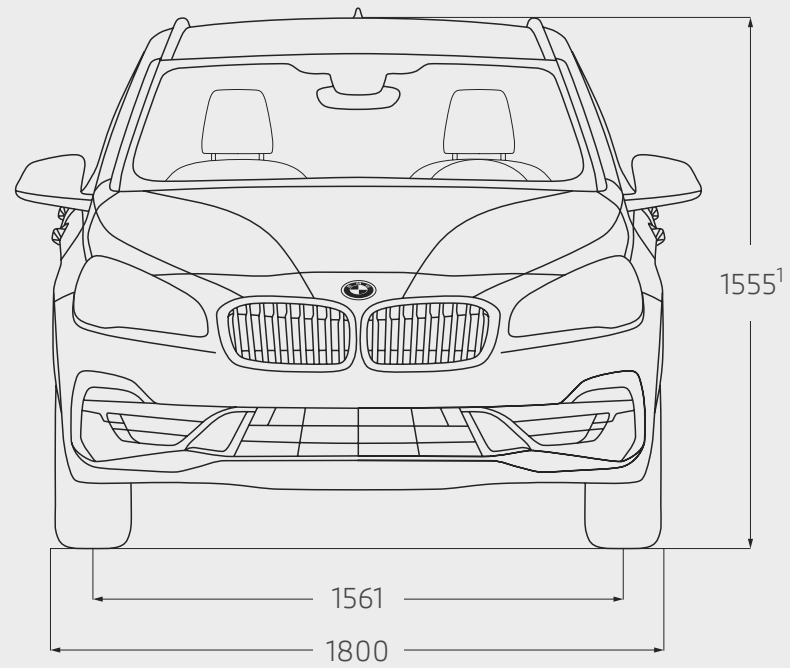


* = Active Tourer models only. + = Subject to OLEV subsidy and qualification which may be liable to change, for further details please speak to your local BMW Centre. For more information about Plug-In Hybrid Electric Vehicles please visit [here](#). ¹ = 12 months subscription from production date only, renewable thereafter for £45 per annum via the ConnectedDrive Store. ² = Includes 3 year warranty. ³ = Available as a stand alone service. Terms and Conditions apply, find out more [here](#). Content correct at time of publishing. Prices subject to change.

■ Standard equipment □ Optional equipment - Not available

DIMENSIONS.

THE BMW 2 SERIES ACTIVE TOURER.

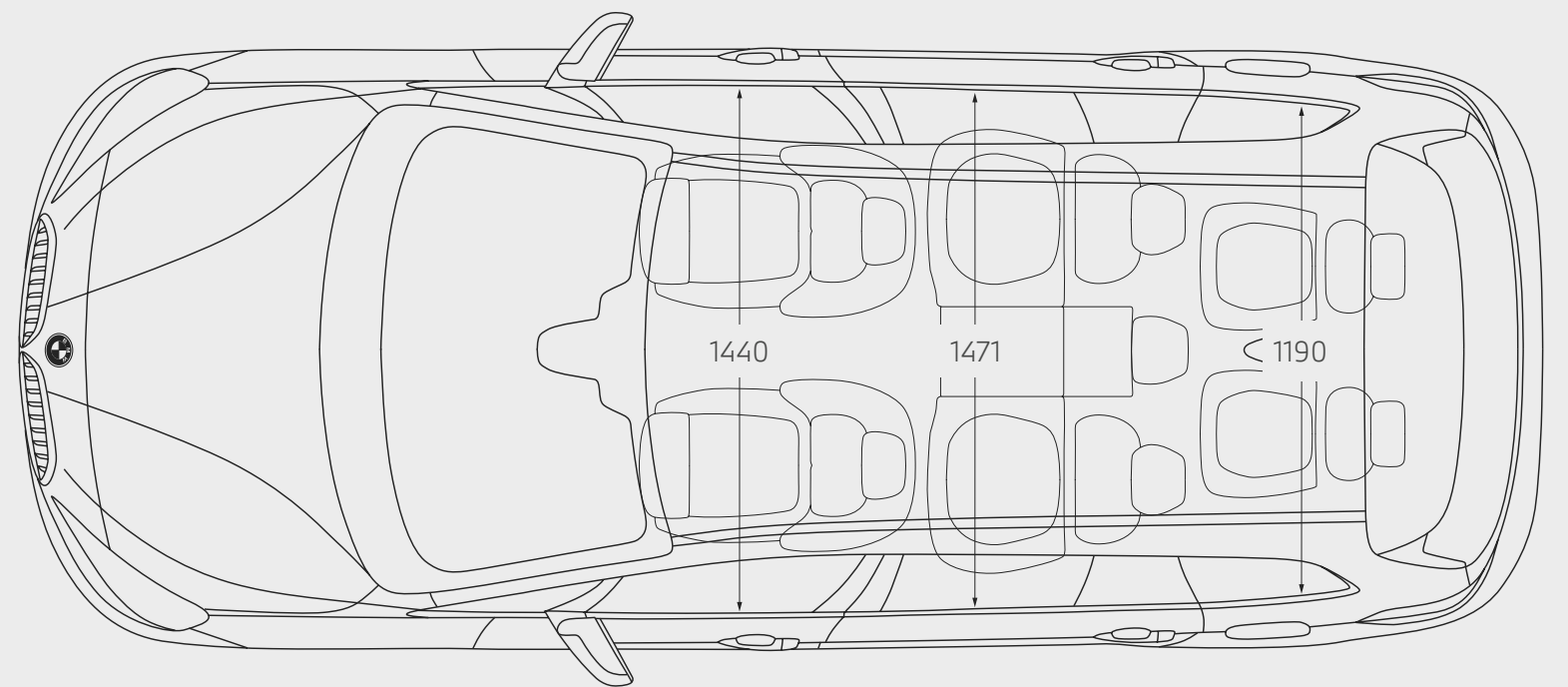
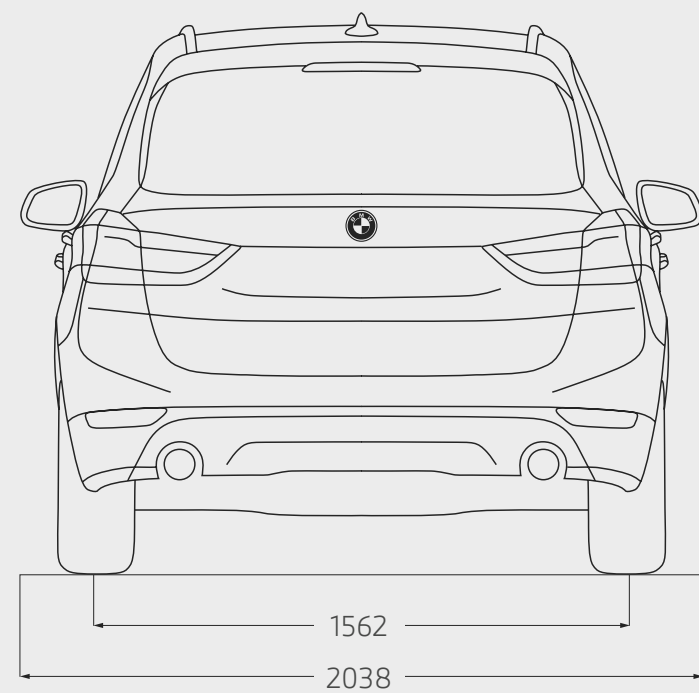
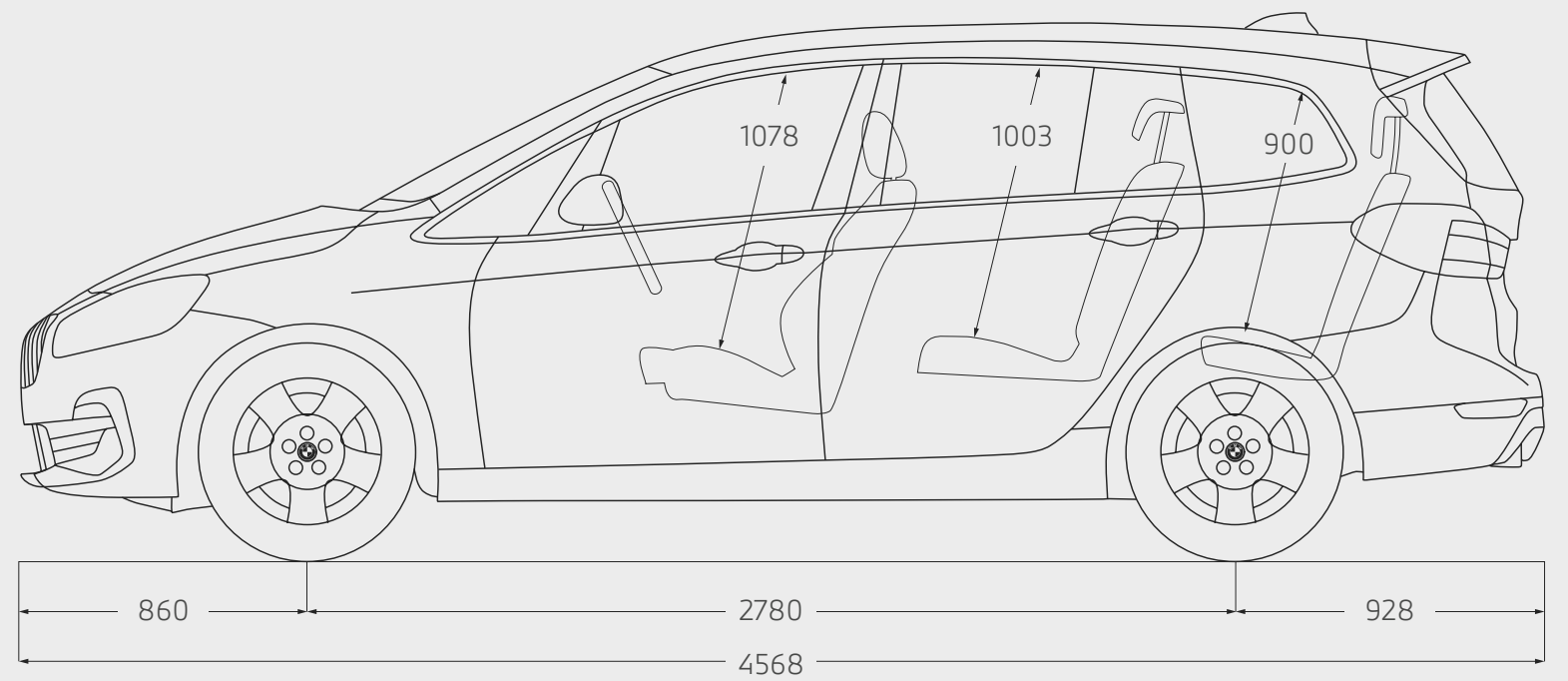
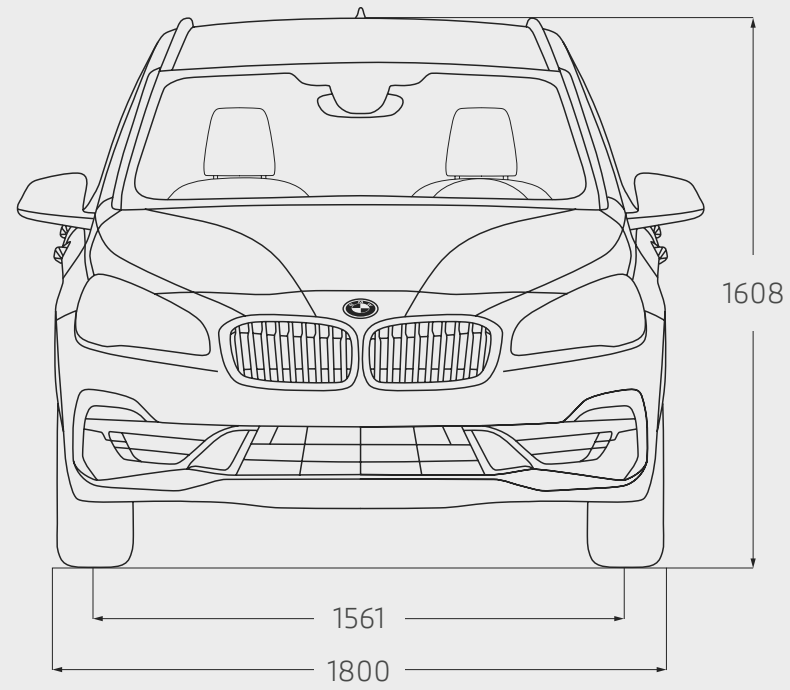


Length (mm)	4354	Height (mm)	1555 ¹	Number of seats	5	Turning circle (m)	11.3
Width (mm)	1800	Width including mirrors (mm) (Driver / Passenger)	2038 (1030 / 1008)	Wheelbase (mm)	2670	Luggage capacity (litre)	468-1510 ²

¹ = 225xe: 1556mm. ² = 225xe: 400-1350 litres.

DIMENSIONS.

THE BMW 2 SERIES GRAN TOURER.



Length (mm)	4568	Height (mm)	1608 [1612]	Number of seats	5 [7]	Turning circle (m)	11.7
Width (mm)	1800	Width including mirrors (mm) (Driver / Passenger)	2038 [1030 / 1008]	Wheelbase (mm)	2780	Luggage capacity (litre)	560-1820 [645-1905]

Figures in [] apply when Third row seating is selected.

BMW PAY MONTHLY SERVICING & TRACKSTAR.

SERVICING MADE SIMPLE.

Planning for the road ahead has never been easier. With the BMW Pay Monthly Service Plan¹ you can remove the uncertainty often associated with car servicing costs by spreading them monthly, much like you would your household bills. Our Pay Monthly service plan covers two services and any unused credit can be transferred to another BMW if you decide to switch unexpectedly. As part of the Pay Monthly plan you will also receive a number of added extras including:

- Fluid top ups
- An MOT
- A Wash & Vac each time you visit
- Seasonal health checks
- Sat Nav Map updates

Get the quality service and parts you expect from BMW with a fixed monthly payment. Give your BMW the care and attention it deserves from the experts that made it.

Price: £20 per month for 36 months

Please contact your preferred BMW Centre for further information.

BMW TRACKSTAR.

Locate and recover your vehicle if it is stolen with BMW Trackstar or BMW Trackstar Advance. Benefits include:

- 24/7 Trackstar Monitoring Centre
- Thatcham accredited
- Integrated motion sensor
- Pan-European protection

BMW Trackstar S7 price from: £399²

BMW Trackstar S5 price from £549²

BMW Trackstar S5 Advance price from: £649²



¹ = Participating BMW Centres only. Two services must be claimed within four years or 40,000 miles, whichever occurs soonest. ² = Price excludes subscription. Please consult your preferred BMW Centre for further details. Content correct at time of publishing. Prices subject to change.

BMW CONNECTED DRIVE SERVICES.

BMW ConnectedDrive keeps driver and vehicle connected with the outside world. Digital services, driver-focused technologies and driver assistance systems provide more comfort, more entertainment and more safety. Increase your driving pleasure – with BMW ConnectedDrive.

For further information on BMW ConnectedDrive and the General Terms and Conditions of Service for ConnectedDrive, please see: www.bmw.co.uk/connecteddrive-information

The BMW ConnectedDrive Hotline is available on: +44 (0) 800 561 0555 from Monday to Friday 8am – 7pm and Saturday to Sunday 9am – 5pm.

CONNECTED DRIVE SERVICES DURATION

Online Entertainment	1 year
BMW Online Services	3 years
Connected eDrive Services (225xe Active Tourer only)	3 years
Real Time Traffic Information	3 years
Apple CarPlay® preparation	Available and active without runtime limitations.
BMW Emergency Call	Available and active without runtime limitations.
BMW TeleServices	Available and active without runtime limitations.
Remote Services	Available and active without runtime limitations.

GENERAL INFORMATION

BMW (UK) Ltd, Summit ONE, Summit Avenue, Farnborough, Hampshire, GU14 0FB (hereinafter referred to as "BMW") provides the customer with certain vehicle-related information and assistance functions (hereinafter called "Services") under the name of "BMW ConnectedDrive". BMW collects, stores or processes car-related data in compliance with applicable law and only to the extent necessary to provide the Services. BMW does not collect, store or process personal data in course of the Services – except where this is explicitly stated in the service description of the individual Services. In the case of Services that require personal data to be collected, stored and processed so that such Services can actually be provided, BMW informs customers of this in advance by providing this data protection notice. The Services are provided by means of a SIM card installed in the vehicle.

AVAILABILITY OF THE SERVICE

The complete range of Services is only available for customers whose vehicles are approved in United Kingdom, and only within United Kingdom.

"BMW Emergency Call" is available to customers in United Kingdom, Germany, Austria, Italy, San Marino, Vatican, France, Monaco, Switzerland, Liechtenstein, Belgium, Luxembourg, the Netherlands, Ireland, Spain, Andorra, Portugal, Sweden, Norway, Czech Republic, Poland, Turkey and Russia "TeleServices", "Concierge services", "Remote Services" and "BMW Online" can be accessed on any mobile communication network in Europe. When used abroad, the range and characteristics of the service may vary from the range and characteristics described above and may vary from country to country. "Real Time Traffic Information" is available in United Kingdom, Germany, Austria, Italy, France, the Netherlands, Switzerland, Belgium, Republic of Ireland, Spain, Portugal, Sweden and Norway. "Online Entertainment" is available for use in United Kingdom, Germany, France, Italy, Spain, Belgium, Luxembourg, the Netherlands, Austria and Switzerland.

DEACTIVATION

You can have the BMW ConnectedDrive services deactivated through an authorised BMW centre, a BMW subsidiary or a BMW authorised workshop at any time. This also has the consequence that aspects of the emergency call in the vehicle as we gally required EU Emergency Call (as from April 2018) a deactivation of the BMW ConnectedDrive basic services will not deactivate the vehicle's built-in SIM card. It has to remain active, so that the EU Emergency Call is functional all the time.

Services that are available and active without runtime limitations, cannot be guaranteed for permanent usage due to potential future technical developments (of the Service availability and/or Smartphone compatibility/operating systems).





READY TO TAKE THE NEXT STEP?