

Best viewed in landscape mode



T H E

2



COUPÉ & CONVERTIBLE

THE BMW 2 SERIES COUPÉ & CONVERTIBLE.

RETURN BY CLICKING [🏠](#)
SELECT A TOPIC BELOW TO EXPLORE:



FEATURED MODELS.

BMW M240i COUPÉ:

BMW TwinPower Turbo six-cylinder in-line petrol engine, 340hp (250kW), 18" M light alloy Double-spoke style 719 M Jet Black wheels with run-flat tyres, Sunset Orange metallic paint, Dakota leather seats in Black with Exclusive stitching, Aluminium Hexagon interior trim with High-gloss Black finisher.

BMW 220i SPORT CONVERTIBLE:

BMW TwinPower Turbo four-cylinder petrol engine, 184hp (135kW), 17" light alloy Star-spoke style 379 wheels with run-flat tyres, Mineral Grey metallic paint, Oyster Dakota leather seats with Dark Oyster highlight.

Content correct at time of publishing (as of January 2021). Prices and technical data subject to change. The models shown on these pages may feature optional equipment. Standard equipment may also vary depending on engine variant. For further details, please contact your local BMW Centre.



"AMONG THE 2 SERIES' STRENGTHS ARE A RANGE OF PUNCHY TURBOCHARGED ENGINES, AN EXCELLENT EIGHT-SPEED AUTOMATIC GEARBOX, AND A SWEET REAR-DRIVE CHASSIS."

Auto Express

[Read the full review](#)





"IT LOOKS GOOD, HAS A STRONG RANGE OF ENGINES AND IS NEARLY AS FUN TO DRIVE AS THE COUPÉ MODEL IT'S BASED ON."

Auto Express

[Read the full review](#)





RE-WRITING THE
RULE BOOK.

M240i.



The BMW M240i Coupé model is shown above in Sunset Orange metallic paint.

■ Standard equipment □ Optional equipment

In addition / replacement to M Sport models

EXTERIOR

- 18" M light alloy Double-spoke style 719 M wheels, Cerium Grey (non run-flat)
- M rear spoiler (Coupé only)
- Kidney grille, High-gloss Black with eight extra-wide High-gloss Black vertical slats
- M aerodynamic bodystyling, with Airblades in Cerium Grey (no front foglights)
- Mirror caps, High-gloss Black
- M designation in unique Dark Chrome on left and right front wings
- Exterior mirrors – electrically folding with anti-dazzle
- Exhaust tailpipes, Dark Chrome – twin, round, split

INTERIOR

- Full Black panel display with M240i welcome logo
- Air conditioning, automatic with two-zone control
- Dakota leather upholstery
- Seat heating, front
- Extended lighting
- Extended storage
- Door sill finishers with M240i designation

SAFETY & TECHNOLOGY

- M Sport braking system
- M Sport suspension, with individual M240i setup
- Sport automatic transmission with Launch Control
- Variable Sport steering, with M240i characteristics
- M Performance TwinPower Turbo six-cylinder in-line petrol engine
- BMW Mobility System

M SPORT.



The BMW 2 Series M Sport Convertible model is shown above in Estoril Blue metallic paint.

■ Standard equipment □ Optional equipment

M SPORT.

In addition / replacement to SE models

EXTERIOR

- 18" M light alloy Double-spoke style 719 M wheels, Bicolour Jet Black
- Kidney grille, Chrome with eight extra-wide High-gloss Black vertical slats
- LED front foglights (excluding 218i)
- M aerodynamic bodystyling
- M designation in Chrome on left and right front wings
- Exhaust tailpipe, Chrome – dual, round, left (220i only)
- Exterior trim, High-gloss Shadowline
- Welcome light using LED technology

INTERIOR

- Full Black panel display
- M Sport multi-function leather steering wheel, finished in Nappa leather with Speed limiting function
- Sport seats, driver and front passenger
- Hexagon cloth / Alcantara upholstery, Anthracite
- Instrument panel with decorative stitching line
- Interior trim, Aluminium Hexagon with High-gloss Black finisher
- Headlining, Anthracite (Coupé only)
- Ambient lighting – BMW Classic Orange / Cold White LED
- Door sill finishers with M designation
- Remote control with integrated key, Blue inset

SAFETY & TECHNOLOGY

- M Sport suspension
- Drive Performance Control with ECO PRO, Comfort, Sport and Sport+ modes
- Gearshift lever with M designation, short-shift (Manual transmission only)



SPORT.



The BMW 2 Series Sport Convertible model is shown above in Mineral Grey metallic paint.

■ Standard equipment □ Optional equipment

SPORT.

In addition / replacement to SE models

EXTERIOR

- 17" light alloy Double-spoke style 725 wheels with run-flat tyres
- Exhaust tailpipe, Dark Chrome – dual, round, left (220i only)
- Kidney grille with extra-wide High-gloss Black vertical slats
- Rear bumper with High-gloss Black finisher
- Front air inlet with High-gloss Black finisher

INTERIOR

- Sport multi-function leather steering wheel, Black with Red stitching and Speed limiting function
- Sport seats, driver and front passenger
- Corner cloth upholstery
- Interior trim, High-gloss Black with Pearl Chrome finisher
- Ambient lighting – switchable
- Instrument panel with decorative stitching line
- Door sill finishers with BMW designation, front
- Welcome light using LED technology
- Remote control with integrated key, Red inset

SAFETY & TECHNOLOGY

- Drive Performance Control with ECO PRO, Comfort, Sport and Sport+ modes



SE.



The BMW 2 Series SE Coupé model is shown above in Alpine White non-metallic paint.

■ Standard equipment □ Optional equipment

SE.

EXTERIOR

- 17" light alloy Y-spoke style 380 wheels with run-flat tyres
- LED headlights
- LED foglights, front
- LED rear light bars
- Acoustic soft-top in Anthracite (Convertible only)
- Kidney grille, Chrome with Black vertical slats
- Darkened tail lights with LED light bars
- Exhaust tailpipe, Chrome finisher – single, round
- Heated exterior mirrors and heated windscreen washer jets
- Welcome light

AUDIO & COMMUNICATION

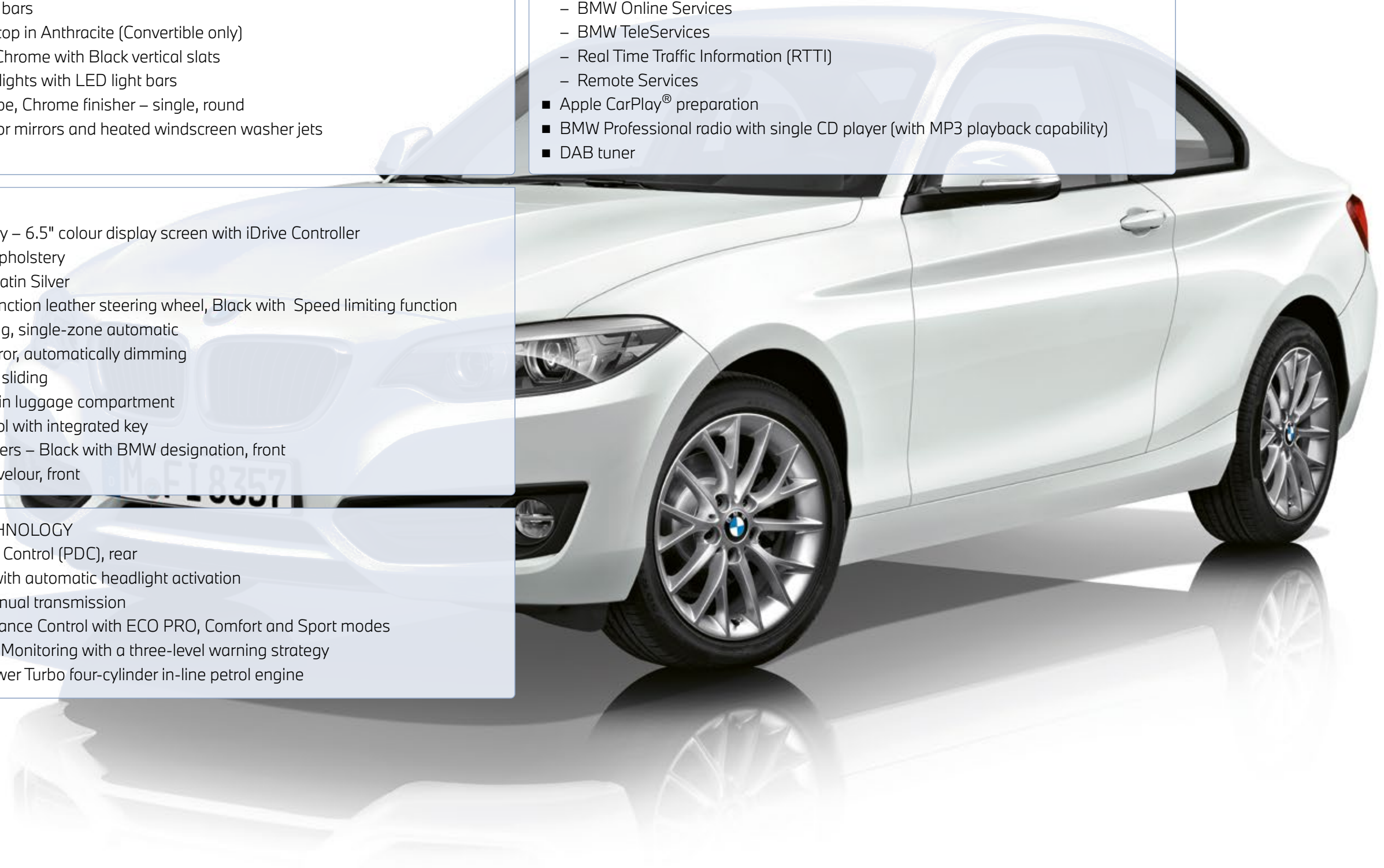
- BMW ConnectedDrive Services, comprising:
 - BMW Emergency Call
 - BMW Navigation System
 - BMW Online Services
 - BMW TeleServices
 - Real Time Traffic Information (RTTI)
 - Remote Services
- Apple CarPlay® preparation
- BMW Professional radio with single CD player (with MP3 playback capability)
- DAB tuner

INTERIOR

- Control Display – 6.5" colour display screen with iDrive Controller
- Corner cloth upholstery
- Interior trim, Satin Silver
- Sport multi-function leather steering wheel, Black with Speed limiting function
- Air conditioning, single-zone automatic
- Rear-view mirror, automatically dimming
- Armrest front, sliding
- Lashing eyes in luggage compartment
- Remote control with integrated key
- Door sill finishers – Black with BMW designation, front
- Floor mats in velour, front

SAFETY & TECHNOLOGY

- Park Distance Control (PDC), rear
- Rain sensor, with automatic headlight activation
- Six-speed manual transmission
- Drive Performance Control with ECO PRO, Comfort and Sport modes
- Tyre Pressure Monitoring with a three-level warning strategy
- BMW TwinPower Turbo four-cylinder in-line petrol engine



EXTERIOR COLOURS.

ALL MODELS.



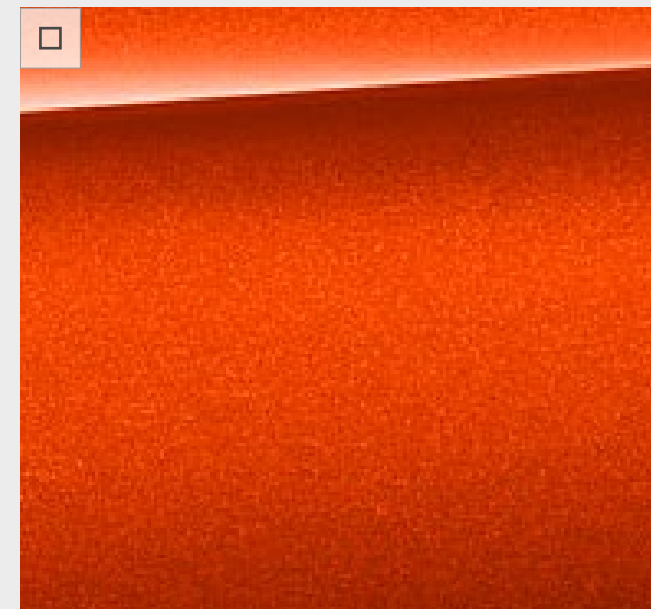
Non-metallic Alpine White



Metallic Black Sapphire



Metallic Mineral Grey



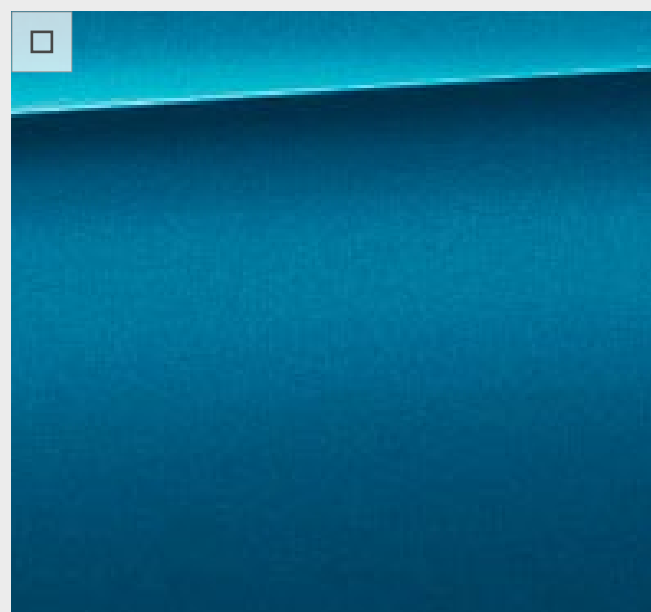
Metallic Sunset Orange

EXCLUSIVELY FOR M SPORT
& M240i MODELS.



Metallic Estoril Blue

EXCLUSIVELY FOR M240i MODELS.



Metallic Long Beach Blue

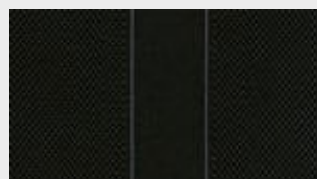


Colour samples These colour samples are intended as an initial guide to the colours and materials available for your BMW. Please discuss your preferred colour choices with your BMW Centre. There you can also see original samples and be assisted with any requests.

■ Standard equipment □ Optional equipment

UPHOLSTERY & INTERIOR TRIMS.

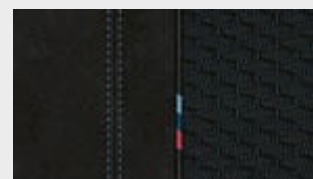
CLOTH.



Corner cloth in Anthracite with Grey highlight

Available with
 SE
 Sport

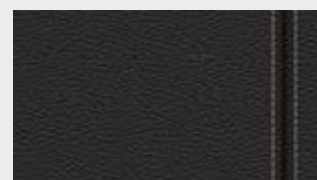
CLOTH / LEATHER.



Hexagon cloth / Alcantara in Anthracite with Blue Hexagonal highlight

Available with
 M Sport

LEATHER.



Dakota leather in Black with Exclusive stitching

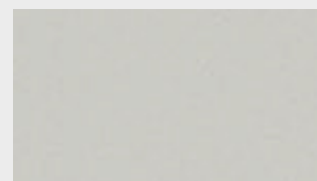
Available with
 Sport
 M Sport
 M240i



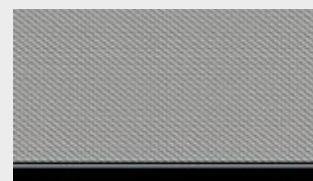
Dakota leather in Oyster with Dark Oyster highlight / Black interior colour

Available with
 Sport
 M Sport
 M240i

INTERIOR TRIMS.



Satin Silver
 Available with
 SE



Aluminium Hexagon with High-gloss Black finisher

Available with
 M Sport
 M240i



High-gloss Black with Pearl Chrome finisher

Available with
 Sport
 M Sport
 M240i



PACKAGES.

Optional packages offer an attractive combination of the most popular options at a reduced (combined) cost and will enhance any journey in the BMW 2 Series Coupé and Convertible.

TECHNOLOGY PACK I.

- Cruise Control with braking function
- Park Assist
- Park Distance Control (PDC), front and rear
- Reversing Assist camera



TECHNOLOGY PACK II.

- Enhanced Bluetooth and wireless charging
- Full Black panel display
- Navigation system – BMW Professional Multimedia
- WiFi hotspot preparation



COMFORT PACK I.

- Automatic air conditioning with two-zone
- Extended lighting
- Extended storage
- Exterior mirrors – electrically folding with anti-dazzle
- Seat heating, front



Not available on M240i models.

COMFORT PACK II.

- Comfort Access
- Seat adjustment – front, electric with driver memory
- Steering wheel heating



Only with Cruise Control with braking function / Active Cruise Control with Stop&Go function (M Sport and M240i).

M SPORT PRO PACK.

- 18" M light alloy Double-spoke style 719 M wheels, Jet Black
- High-gloss Black Kidney grille
- Loudspeaker system – harman/kardon
- M rear spoiler (Coupé only)
- M seat belts
- M Sport braking system
- Sun protection glass (Coupé only)
- Variable Sport steering



Exclusively available with M Sport models.

M240i PRO PACK.

- 18" M light alloy Double-spoke style 719 M wheels, Jet Black
- BMW Icon Adaptive LED Headlights
- High-beam Assistant
- Loudspeaker system – harman/kardon
- M seat belts
- Sun protection glass (Coupé only)



Exclusively available with M240i models.

OPTIONAL EQUIPMENT HIGHLIGHTS.

BMW ICON ADAPTIVE LED HEADLIGHTS.

BMW Icon Adaptive LED Headlights with low and high-beam headlights include LED indicators, High-beam Assistant and Adaptive headlights. The equipment also features automatic height adjustment and four 'white' LED Corona rings used for Daytime Driving Lights.

Included within M240i Pro Pack.



ENHANCED BLUETOOTH WITH WIRELESS CHARGING.

Enhanced Bluetooth with wireless charging offers a comprehensive telephony package with Bluetooth connectivity and the technical capacity for a WiFi hotspot.

Extended functionality may depend on the features of the Bluetooth / USB device in use. For confirmation, please check the Bluetooth Compatibility Checker on www.bmw.co.uk. Included in Technology Pack II.



ELECTRIC GLASS SUNROOF.

The electric glass sunroof allows airflow to be regulated, creating a pleasant in-car climate. The integrated wind deflector guarantees a high level of acoustic comfort.

Exclusively available for Coupé models.



STEERING WHEEL HEATING.

At the touch of a button, the steering wheel heating quickly warms up the steering wheel rim to a pleasant temperature. The steering wheel warms the drivers hands when it's cold outside, allowing them to safely steer the vehicle without the use of gloves which is especially useful during the winter months.

Only with Cruise Control with braking function / Active Cruise Control with Stop&Go function (M Sport and M240i models).



SUN PROTECTION GLASS.

Sun protection glass for the rear window and tinted rear side windows prevent the interior from heating up when exposed to direct sunlight. The darker glass behind the B-pillars absorbs more sunlight. Tinted glass does not hinder visibility to the outside, but it does protect the rear seats against prying eyes.

Exclusively available for Coupé models.



LOUDSPEAKER SYSTEM — HARMAN/KARDON.

The harman/kardon loudspeaker system offers an impressive sound of premium quality in every seat in the vehicle and features a 360W amplifier, multi-channel capability and 12 speakers.

Included in M Sport Pro Pack / M240i Pro Pack.



ACTIVE CRUISE CONTROL WITH STOP&GO FUNCTION.

Active Cruise Control with Stop&Go function maintains a preselected speed, as well as the distance to the vehicle ahead.

Only with with Automatic transmission and Full Black panel display.



FULL BLACK PANEL DISPLAY.

Featuring a high-resolution 5.7" display, the Full Black panel display includes integrated graphic visuals of current fuel consumption, as well as a Black optic display.

Standard on M Sport and M240i models. Included in Technology Pack II on SE and Sport models.



BMW CONNECTED DRIVE.

The BMW ConnectedDrive Services & Apps are on hand to make sure you have more time for the important things in life. Various innovations by BMW make things more convenient for you every day – whenever you want.

□ **Amazon Echo** gives you the ability to communicate with your vehicle using Voice Control and access your schedule from home.



□ **Door to door guidance** provides detailed walking directions from your parking spot to your destination. A map with a location pin also shows where you last parked once you're ready to head back to your car.



■ **Estimated time of arrival** provides you with detailed updates of your regular routes and alternative options so you can manage your journey and avoid delays.



■ With **Learned destinations** BMW Connected learns your most frequently travelled routes and provides them as future suggestions. If destinations are repeatedly visited, they are automatically listed at the usual time.



■ **Remote Services** enables you to use a smartphone to locate where your BMW is parked, to lock and unlock the car remotely and much more.



□ **Time to leave** function provides notifications on your Apple iPhone®, compatible Android® phone, your Apple Watch® or Samsung Gear S3® watch, and recommends a time to leave to help you arrive on time.



■ **Apple CarPlay® preparation** enables wireless and comfortable usage of your iPhone® in your vehicle via Apple CarPlay®. Selected smartphone content can be displayed and operated via the user interface of the vehicle.



■ **BMW Emergency Call** automatically establishes a voice connection with the local emergency services without the use of a mobile phone. It transmits information about the vehicle's current location and can be triggered manually in case other road users require help.



■ **BMW Online Services** forms the basis for using the BMW ConnectedDrive functions. In addition, selected smartphone apps can be used in the vehicle, alongside the BMW ConnectedDrive Store.



■ **BMW TeleServices** transmits vehicle service data to BMW and supports the processing of servicing appointments. In the event of a breakdown, help can be requested from a BMW Centre allowing some malfunctions to be resolved remotely.

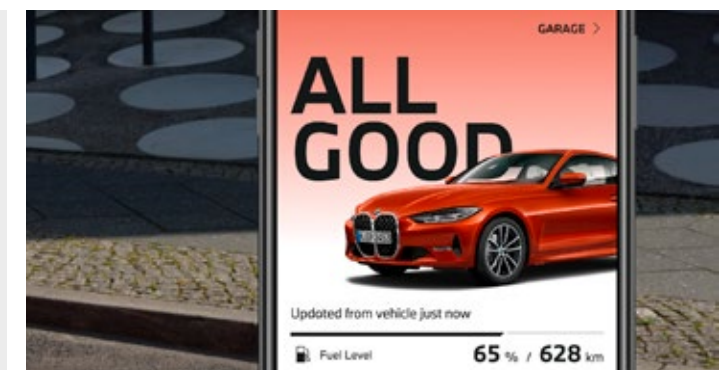


■ **Real Time Traffic Information (RTTI)** collects current traffic information about motorways, main and country roads and urban routes. It relays information about delays and dangers and suggests the best alternative routes.



MY BMW APP.

The My BMW App is the direct connection inside and outside your BMW. Plan your next trip, check the status of your vehicle or use one of the remote service functions – all conveniently from your smartphone.



The information above is subject to change. Actual Control Display and content on the BMW 2 Series Coupé and Convertible may vary from the images shown. For further details on these services, see [BMW ConnectedDrive Services](#).

■ Standard equipment □ Optional equipment

WHEELS & TYRES.

18" M LIGHT ALLOY DOUBLE-SPOKE STYLE 719 M WHEELS, CERIUM GREY.

18" M light alloy Double-spoke style 719 M wheels, Cerium Grey, front 7.5 J x 18 with 225/40 R18, rear 8 J x 18 with 245/35 R18 tyres.

Standard for M240i models.



18" M LIGHT ALLOY DOUBLE-SPOKE STYLE 719 M WHEELS, JET BLACK.

18" M light alloy Double-spoke style 719 M wheels, Jet Black, front 7.5J x 18 with 225/40 R18, rear 8J x 18 with 245/35 R18 run-flat tyres for M Sport models / non-run flat tyres for M240i models.

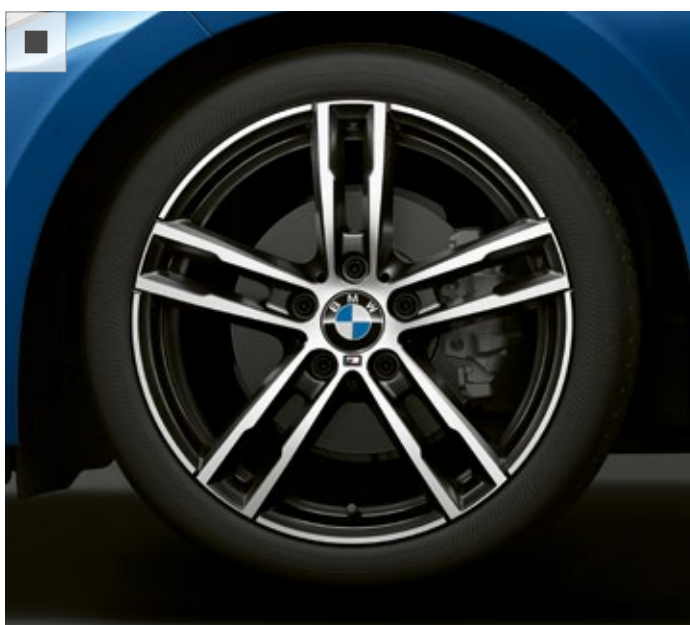
Optional for M Sport and M240i models.



18" M LIGHT ALLOY DOUBLE-SPOKE STYLE 719 M WHEELS, BICOLOUR.

18" M light alloy Double-spoke style 719 M wheels, Bicolour, front 7.5J x 18 with 225/40 R18, rear 8J x 18 with 245/35 R18 run-flat tyres.

Standard for M Sport models.



18" LIGHT ALLOY DOUBLE-SPOKE STYLE 384 WHEELS, BICOLOUR.

18" light alloy Double-spoke style 384 wheels, Bicolour, front 7.5J x 18 with 225/40 R18, rear 8J x 18 with 245/35 R18 run-flat tyres.

Optional for Sport models.



17" LIGHT ALLOY DOUBLE-SPOKE STYLE 725 WHEELS.

17" light alloy Double-spoke style 725 wheels, 7.5J x 17 with 225/45 R17 run-flat tyres.

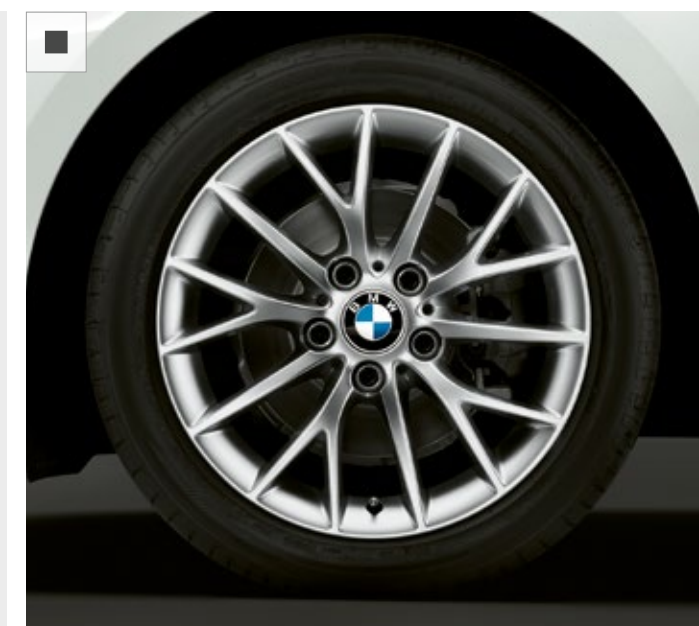
Standard for Sport models.



17" LIGHT ALLOY Y-SPOKE STYLE 380 WHEELS.

17" light alloy Y-spoke style 380 wheels, 7J x 17 with 205/50 R17 run-flat tyres.

Standard for SE models.



GENUINE BMW ACCESSORIES.



ROOF BOX.

The modern roof box in Black with titanium Silver side panels has a capacity of 420 litres and is compatible with all BMW roof rack systems. Due to the fact that it can be opened from both sides and has triple central locking on each side it is convenient to load and lock for theft protection. BMW roof boxes in other sizes also available.

Roof Box and Roof Rack available on Coupé models only.

BMW M PERFORMANCE 19" LIGHT ALLOY DOUBLE-SPOKE STYLE 405 WHEELS.

The premium quality BMW M Performance 19" light alloy Double-spoke style 405 M wheels lend the BMW 2 Series Coupé and Convertible a strong athletic look.



BMW M PERFORMANCE KIDNEY GRILLE, BLACK.

Make an impression that lasts from the first glance: the BMW M Performance Kidney grille in Black gives the front of the car an even more dynamic and striking appearance.



ALL-WEATHER FLOOR MATS.

The Black All-weather Floor Mats ensure precise fitting protection against dirt and moisture in the footwells.



ADVANCED CAR EYE 2.0.

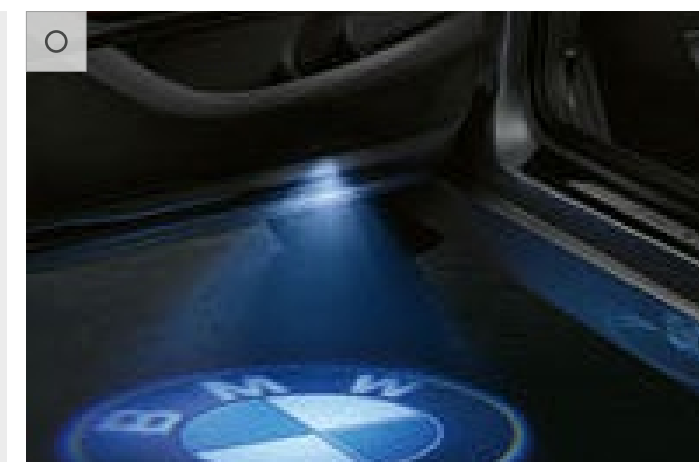
The highly sensitive full-HD Advanced Car Eye 2.0 records automatically in order to capture events as seen from the vehicle, even when it is parked.

Rear camera cannot be fitted to Convertible models.



LED DOOR PROJECTORS.

When the doors are opened, the LED Door Projectors project one of a choice of four graphics on the ground adjacent to the vehicle, for perfect illumination of the entry area.



LUGGAGE COMPARTMENT MAT.

Anti-slip, water-resistant, durable Luggage Mat for protecting the luggage compartment from dirt and moisture.



PRICING INFORMATION.

THE BMW 2 SERIES COUPÉ



	218i SE	218i Sport	218i M Sport	220i Sport	220i M Sport	M240i
--	---------	------------	--------------	------------	--------------	-------

Basic price (excluding VAT)	£21,383.33	£22,216.67	£23,550.00	£26,158.33	£27,491.67	£33,266.67
VAT 20%	£4,276.67	£4,443.33	£4,710.00	£5,231.67	£5,498.33	£6,653.33
RRP (including VAT)	£25,660	£26,660	£28,260	£31,390	£32,990	£39,920
On the road price from	£27,105	£28,105	£30,035	£32,835	£34,435	£41,695
P11d value – Manual	£26,510	£27,510	£29,110	-	-	-
P11d value – Automatic	£27,960	£28,960	£30,560	£32,240	£33,840	£40,770
BIK tax rate (2020 / 2021)	37%-36% (36%)	37%-36% (37%-36%)	37% (37%-36%)	(36%)	(37%-36%)	(37%)
Insurance group	TBC	TBC	TBC	26	27	39
RDE2 Compliant (Y / N)	Y	Y	Y	Y	Y	Y

PRICES AND SPECIFICATIONS

BMW (UK) Limited reserves the right to alter prices and specifications without notice. BMW (UK) Limited has made every effort to ensure the accuracy of information but does not accept liability for any errors or omissions.

VED RATES

Annual VED (second year onwards), for cars costing over £40,000, is payable for five years. VED rates for brand new cars are determined by their CO₂ emissions figure. First year VED applies to the first year of ownership. Annual VED rates apply thereafter. The BMW 2 Series Coupé models fall into one of the categories listed below:

CO ₂ emissions (g/km)	01-50	51-75	76-90	91-100	101-110	111-130	131-150	151-170	171-190	191-225	226-255	Over 255
First year VED (petrol and RDE2 diesel)	£10	£25	£110	£135	£155	£175	£215	£540	£870	£1,305	£1,850	£2,175
Annual VED – second year onwards (standard rate for petrol and diesel)	£150	£150	£150	£150	£150	£150	£150	£150	£150	£150	£150	£150
Annual VED – second year onwards (petrol and diesel cars over £40,000)	£475	£475	£475	£475	£475	£475	£475	£475	£475	£475	£475	£475

ON THE ROAD PRICE

The recommended on the road price includes:

Delivery and BMW Emergency Service	£825
Number plates	£25
Vehicle first registration fee	£55
First year Vehicle Excise Duty	See left

Figures shown are for comparability purposes; only compare fuel consumption and CO₂ figures with other cars tested to the same technical procedures. These figures may not reflect real life driving results, which will depend upon a number of factors including the accessories fitted (post-registration), variations in weather, driving styles and vehicle load. The CO₂ figures have been determined according to the WLTP test. WLTP has been used as the applicable CO₂ figure from 1 April 2020 for first year vehicle tax (VED) and from 6 April 2020 for company car tax (BIK). The CO₂ figures were previously based on the NEDC equivalent. - = Not available Figures in () apply to cars with automatic transmission. Insurance group figures refer to 50 Group Rating System.

PRICING INFORMATION.

THE BMW 2 SERIES CONVERTIBLE.



	218i SE	218i Sport	218i M Sport	220i Sport	220i M Sport	M240i
--	---------	------------	--------------	------------	--------------	-------

Basic price (excluding VAT)	£24,083.33	£24,916.67	£26,250.00	£28,862.50	£30,195.83	£35,979.17
VAT 20%	£4,816.67	£4,983.33	£5,250.00	£5,772.50	£6,039.17	£7,195.83
RRP (including VAT)	£28,900	£29,900	£31,500	£34,635	£36,235	£43,175
On the road price from	£30,675	£31,675	£33,275	£36,410	£38,010	£45,385
P11d value – Manual	£29,750	£30,750	£32,350	-	-	-
P11d value – Automatic	£31,200	£32,200	£33,800	£35,485	£37,085	£44,025
BIK tax rate (2020 / 2021)	37% (37%)	37% (37%)	37% (37%)	(37%)	(37%)	(37%)
Insurance group	TBC	TBC	TBC	29	30	42
RDE2 Compliant (Y / N)	Y	Y	Y	Y	Y	Y

PRICES AND SPECIFICATIONS

BMW (UK) Limited reserves the right to alter prices and specifications without notice. BMW (UK) Limited has made every effort to ensure the accuracy of information but does not accept liability for any errors or omissions.

VED RATES

Annual VED (second year onwards), for cars costing over £40,000, is payable for five years. VED rates for brand new cars are determined by their CO₂ emissions figure. First year VED applies to the first year of ownership. Annual VED rates apply thereafter. The BMW 2 Series Convertible models fall into one of the categories listed below:

CO ₂ emissions (g/km)	01-50	51-75	76-90	91-100	101-110	111-130	131-150	151-170	171-190	191-225	226-255	Over 255
First year VED (petrol and RDE2 diesel)	£10	£25	£110	£135	£155	£175	£215	£540	£870	£1,305	£1,850	£2,175
Annual VED – second year onwards (standard rate for petrol and diesel)	£150	£150	£150	£150	£150	£150	£150	£150	£150	£150	£150	£150
Annual VED – second year onwards (petrol and diesel cars over £40,000)	£475	£475	£475	£475	£475	£475	£475	£475	£475	£475	£475	£475

ON THE ROAD PRICE

The recommended on the road price includes:

Delivery and BMW Emergency Service	£825
Number plates	£25
Vehicle first registration fee	£55
First year Vehicle Excise Duty	See left

Figures shown are for comparability purposes; only compare fuel consumption and CO₂ figures with other cars tested to the same technical procedures. These figures may not reflect real life driving results, which will depend upon a number of factors including the accessories fitted (post-registration), variations in weather, driving styles and vehicle load. The CO₂ figures have been determined according to the WLTP test. WLTP has been used as the applicable CO₂ figure from 1 April 2020 for first year vehicle tax (VED) and from 6 April 2020 for company car tax (BIK). The CO₂ figures were previously based on the NEDC equivalent. - = Not available Figures in () apply to cars with automatic transmission. Insurance group figures refer to 50 Group Rating System.

TECHNICAL INFORMATION.

THE BMW 2 SERIES COUPÉ.



	218i SE	218i Sport	218i M Sport	220i Sport	220i M Sport	M240i
--	---------	------------	--------------	------------	--------------	-------

Power output (hp)	136	136	136	184	184	340
0-62mph / 0-100km/h (secs)	8.8 (8.9)	8.8 (8.9)	8.8 (8.9)	(7.2)	(7.2)	(4.6)
Fuel consumption – combined (mpg)*	37.7-38.2 (38.2-38.7)	37.2-38.2 (37.7-38.7)	36.7-37.7 (37.2-38.2)	(38.2-38.7)	(37.2-38.2)	(34.0)
Fuel consumption – combined (l/100km)*	7.5-7.4 (7.4-7.3)	7.6-7.4 (7.5-7.3)	7.7-7.5 (7.6-7.4)	(7.4-7.3)	(7.6-7.4)	(8.3)
CO ₂ emissions – combined (g/km)*	170-168 (168-166)	173-169 (171-167)	175-171 (173-169)	(168-166)	(173-169)	(191-189)

CO₂ value will vary dependent on vehicle specification. Build your BMW and view the CO₂ figure for your chosen model [here](#). * = Figures shown are for comparability purposes. Only compare fuel consumption, CO₂ and electric range figures with other cars tested to the same technical procedures. These figures may not reflect real life driving results, which will depend upon a number of factors including the starting charge of the battery, accessories fitted (post-registration), variations in weather, driving styles and vehicle load. The CO₂ figures shown above have been determined according to the WLTP test. WLTP has been used as the applicable CO₂ figure from 1 April 2020 for first year vehicle tax (VED) and from 6 April 2020 for company car tax (BIK). The CO₂ figures were previously based on the NEDC equivalent. Figures in () apply to cars with automatic transmission.

TECHNICAL INFORMATION.

THE BMW 2 SERIES CONVERTIBLE.



	218i SE	218i Sport	218i M Sport	220i Sport	220i M Sport	M240i
--	---------	------------	--------------	------------	--------------	-------

Power output (hp)	136	136	136	184	184	340
0-62mph / 0-100km/h (secs)	9.4 (9.6)	9.4 (9.6)	9.4 (9.6)	(7.7)	(7.7)	(4.7)
Fuel consumption – combined (mpg)*	36.2 (36.2-36.7)	35.3-36.2 (35.8-36.7)	35.3-35.8 (35.3-36.2)	(36.2-36.7)	(35.3-36.2)	(32.5-32.8)
Fuel consumption – combined (l/100km)*	7.8 (7.8-7.7)	8.0-7.8 (7.9-7.7)	8.0-7.9 (8.0-7.8)	(7.8-7.7)	(8.0-7.8)	(8.7-8.6)
CO ₂ emissions – combined (g/km)*	179-177 (177-175)	182-178 (180-177)	183-180 (182-179)	(178-176)	(182-179)	(199-197)

CO₂ value will vary dependent on vehicle specification. Build your BMW and view the CO₂ figure for your chosen model [here](#). * = Figures shown are for comparability purposes. Only compare fuel consumption, CO₂ and electric range figures with other cars tested to the same technical procedures. These figures may not reflect real life driving results, which will depend upon a number of factors including the starting charge of the battery, accessories fitted (post-registration), variations in weather, driving styles and vehicle load. The CO₂ figures shown above have been determined according to the WLTP test. WLTP has been used as the applicable CO₂ figure from 1 April 2020 for first year vehicle tax (VED) and from 6 April 2020 for company car tax (BIK). The CO₂ figures were previously based on the NEDC equivalent. Figures in () apply to cars with automatic transmission.

OPTIONAL EQUIPMENT PRICING.



	218i SE	218i Sport	218i M Sport	220i Sport	220i M Sport	M240i	Price
PAINTWORK							
Non-metallic Available in Alpine White	■	■	■	■	■	■	Std
Metallic Available in Black Sapphire, Estoril Blue ¹ , Long Beach Blue ² , Mineral Grey or Sunset Orange	□	□	□	□	□	□	£560
UPHOLSTERY							
Corner cloth Available in Anthracite with Grey highlight	■	■	-	■	-	-	Std
Hexagon cloth / Alcantara Available in Anthracite with Blue Hexagonal highlight	-	-	■	-	■	-	Std
Dakota leather Available in Black with Exclusive stitching or Oyster with Dark Oyster highlight	-	□	-	□	-	-	£1,150
	-	-	□	-	□	■	£800
INTERIOR TRIMS							
Aluminium Hexagon with High-gloss Black finisher	-	-	■	-	■	■	Std
High-gloss Black with Pearl Chrome finisher	-	■	□	■	□	□	£0
Satin Silver	■	-	-	-	-	-	Std
TRANSMISSIONS							
Automatic transmission	□	□	□	-	-	-	£1,450
Sport automatic transmission	-	-	-	■	■	■	Std
STEERING & CHASSIS							
Adaptive M Sport suspension	-	-	□	-	□	□	£515
BMW EFFICIENT DYNAMICS							
Auto Start-Stop	■	■	■	■	■	■	Std
Brake Energy Regeneration	■	■	■	■	■	■	Std
ECO PRO mode	■	■	■	■	■	■	Std
Electric Power Steering (EPS)	■	■	■	■	■	■	Std
Lightweight Engineering	■	■	■	■	■	■	Std
Optimum Shift Indicator ³	■	■	■	-	-	-	Std
Reduced Rolling Resistance Tyres	■	■	■	■	■	-	Std

Certain BMW EfficientDynamics features may be excluded depending on the optional equipment chosen. Your BMW Centre will be pleased to provide you with more information.

Not with = these options are not available for ordering together. ¹ = Only available on M Sport and M240i. ² = Exclusively available for M240i. ³ = Only available on Manual models.

■ Standard equipment □ Optional equipment - Not available



	218i SE	218i Sport	218i M Sport	220i Sport	220i M Sport	M240i	Price
--	---------	------------	--------------	------------	--------------	-------	-------

PACKAGES

Packages provide an intelligent selection of individual options at a lower combined price, as well as contributing to the resale value of the vehicle. Further options can still be specified even when a package is chosen.

COMFORT PACK I Comprises: – Air conditioning, automatic with two-zone control – Extended lighting – Extended storage – Exterior mirrors – electrically folding with anti-dazzle – Seat heating front	<input type="checkbox"/>	<input type="checkbox"/>	<input type="checkbox"/>	<input type="checkbox"/>	<input type="checkbox"/>	-	£900
COMFORT PACK II Comprises: – Comfort Access – Seat adjustment – front, electric with driver memory – Steering wheel heating Only with Cruise Control with braking function / Active Cruise Control with Stop&Go function (M Sport and M240i)	<input type="checkbox"/>	<input type="checkbox"/>	<input type="checkbox"/>	<input type="checkbox"/>	<input type="checkbox"/>	<input type="checkbox"/>	£900
M SPORT PRO PACK Comprises: – 18" M light alloy Double-spoke style 719 M wheels, Jet Black – High-gloss Black Kidney grilles – Loudspeaker system – harman/kardon – M rear spoiler (Coupé only) – M seat belts – M Sport braking system – Sun protection glass (Coupé only) – Variable Sport steering	-	-	<input type="checkbox"/>	-	<input type="checkbox"/>	-	£1,800 ¹ / £1350 ²
M240i PRO PACK Comprises: – 18" M light alloy Double-spoke style 719 M wheels, Jet Black – BMW Icon Adaptive LED Headlights – High-beam Assistant – Loudspeaker system – harman/kardon – M seat belts – Sun protection glass (Coupé only)	-	-	-	-	-	<input type="checkbox"/>	£1,250 ¹ / £1,050 ²
TECHNOLOGY PACK I Comprises: – Cruise Control with braking function – Park Assist – Park Distance Control (PDC), front and rear – Reversing Assist camera	<input type="checkbox"/>	<input type="checkbox"/>	<input type="checkbox"/>	<input type="checkbox"/>	<input type="checkbox"/>	<input type="checkbox"/>	£900
TECHNOLOGY PACK II Comprises: – Enhanced Bluetooth and wireless charging – Full Black panel display – Navigation system – BMW Professional Multimedia – WiFi hotspot preparation	<input type="checkbox"/>	<input type="checkbox"/>	-	<input type="checkbox"/>	-	-	£1,250
	-	-	<input type="checkbox"/>	-	<input type="checkbox"/>	<input type="checkbox"/>	£1,100

Only with = these options must be ordered together. ¹ = Price for Coupé models. ² = Price for Convertible models.

■ Standard equipment □ Optional equipment - Not available



	218i SE	218i Sport	218i M Sport	220i Sport	220i M Sport	M240i	Price
--	---------	------------	--------------	------------	--------------	-------	-------

SAFETY & TECHNOLOGY

Active Cruise Control with Stop&Go function Only with Automatic transmission / Sport automatic transmission + Full Black panel display	<input type="checkbox"/>	<input type="checkbox"/>	<input type="checkbox"/>	<input type="checkbox"/>	<input type="checkbox"/>	<input type="checkbox"/>	£790
BMW Icon Adaptive LED Headlights	<input type="checkbox"/>	<input type="checkbox"/>	<input type="checkbox"/> ¹	<input type="checkbox"/>	<input type="checkbox"/>	<input type="checkbox"/>	£790
Cruise control with braking function Included in Technology Pack I	<input type="checkbox"/>	<input type="checkbox"/>	<input type="checkbox"/>	<input type="checkbox"/>	<input type="checkbox"/>	<input type="checkbox"/>	£400
Driving Assistant Comprises: – Attentiveness Assistant – City Collision Mitigation – Forward Collision Warning – Lane Departure Warning – Preventive Pedestrian Protection Only with Technology Pack I / Technology Pack II	<input type="checkbox"/>	<input type="checkbox"/>	<input type="checkbox"/>	<input type="checkbox"/>	<input type="checkbox"/>	<input type="checkbox"/>	£390
High-beam Assistant Included in BMW Icon Adaptive LED Headlights	<input type="checkbox"/>	<input type="checkbox"/>	<input type="checkbox"/>	<input type="checkbox"/>	<input type="checkbox"/>	<input type="checkbox"/>	n/a
Speed Limit Info	<input type="checkbox"/>	<input type="checkbox"/>	<input type="checkbox"/>	<input type="checkbox"/>	<input type="checkbox"/>	<input type="checkbox"/>	£200

EXTERIOR EQUIPMENT

Towbar, detachable	<input type="checkbox"/>	<input type="checkbox"/>	<input type="checkbox"/>	<input type="checkbox"/>	<input type="checkbox"/>	-	£600
--------------------	--------------------------	--------------------------	--------------------------	--------------------------	--------------------------	---	------

INTERIOR EQUIPMENT

Electric glass sunroof ²	<input type="checkbox"/>	<input type="checkbox"/>	<input type="checkbox"/>	<input type="checkbox"/>	<input type="checkbox"/>	<input type="checkbox"/>	£895
Lumbar support, front	<input type="checkbox"/>	<input type="checkbox"/>	<input type="checkbox"/>	<input type="checkbox"/>	<input type="checkbox"/>	<input type="checkbox"/>	£195
Steering wheel heating Only with Cruise Control with braking function / Active Cruise Control with Stop&Go function (M Sport and M240i models) Included in Comfort Pack II	<input type="checkbox"/>	<input type="checkbox"/>	<input type="checkbox"/>	<input type="checkbox"/>	<input type="checkbox"/>	<input type="checkbox"/>	£160
Sun protection glass ²	<input type="checkbox"/>	<input type="checkbox"/>	<input type="checkbox"/>	<input type="checkbox"/>	<input type="checkbox"/>	<input type="checkbox"/>	£300
Included in M Sport Pro Pack / M240i Pro Pack	-	-	<input type="checkbox"/>	-	<input type="checkbox"/>	<input type="checkbox"/>	n/a
Through-loading system	<input type="checkbox"/>	<input type="checkbox"/>	<input type="checkbox"/>	<input type="checkbox"/>	<input type="checkbox"/>	<input type="checkbox"/>	£175
Wind deflector ³	<input type="checkbox"/>	<input type="checkbox"/>	<input type="checkbox"/>	<input type="checkbox"/>	<input type="checkbox"/>	<input type="checkbox"/>	£260



	218i SE	218i Sport	218i M Sport	220i Sport	220i M Sport	M240i	Price
--	---------	------------	--------------	------------	--------------	-------	-------

AUDIO & COMMUNICATION

Apple CarPlay® preparation ^{1,2,3}	■	■	■	■	■	■	Std
Bluetooth hands-free facility with USB audio interface and audio streaming	■	■	■	■	■	■	Std
BMW Emergency Call ³	■	■	■	■	■	■	Std
BMW Navigation System	■	■	■	■	■	■	Std
BMW Online Services ^{1,4}	■	■	■	■	■	■	Std
BMW TeleServices ³	■	■	■	■	■	■	Std
Enhanced Bluetooth with wireless charging Only with Technology Pack II	□	□	□	□	□	□	n/a
Loudspeaker system – harman/kardon	□	□	□	□	□	□	£600
Included in M Sport Pro Pack / M240i Pro Pack	-	-	□	-	□	-	n/a
Navigation system – BMW Professional Multimedia Only with Technology Pack II	□	□	□	□	□	□	n/a
Real Time Traffic Information ^{1,4}	■	■	■	■	■	■	Std
Remote Services ^{1,3}	■	■	■	■	■	■	Std
WiFi hotspot preparation ⁵ Only with Technology Pack II	□	□	□	□	□	□	n/a

Only with = these options must be ordered together. ¹ = Requires a free BMW ConnectedDrive account. ² = Functions using a data connection will use data from the SIM card in the iPhone®. Additional data charges may be applied by the mobile network provider. Compatibility and functions may vary due to the model year of the iPhone® and the version of software installed on it. ³ = Available and active without runtime limitations. Usage cannot be guaranteed permanently due to potential future technical developments (of the Service availability and/or Smartphone compatibility/operating systems). ⁴ = Available for 3 years, renewable thereafter ⁵ = Data subscription costs apply and must be purchased separately.

■ Standard equipment □ Optional equipment - Not available



	218i SE	218i Sport	218i M Sport	220i Sport	220i M Sport	M240i	Run-flat tyres	Price
--	---------	------------	--------------	------------	--------------	-------	----------------	-------

LIGHT ALLOY WHEELS

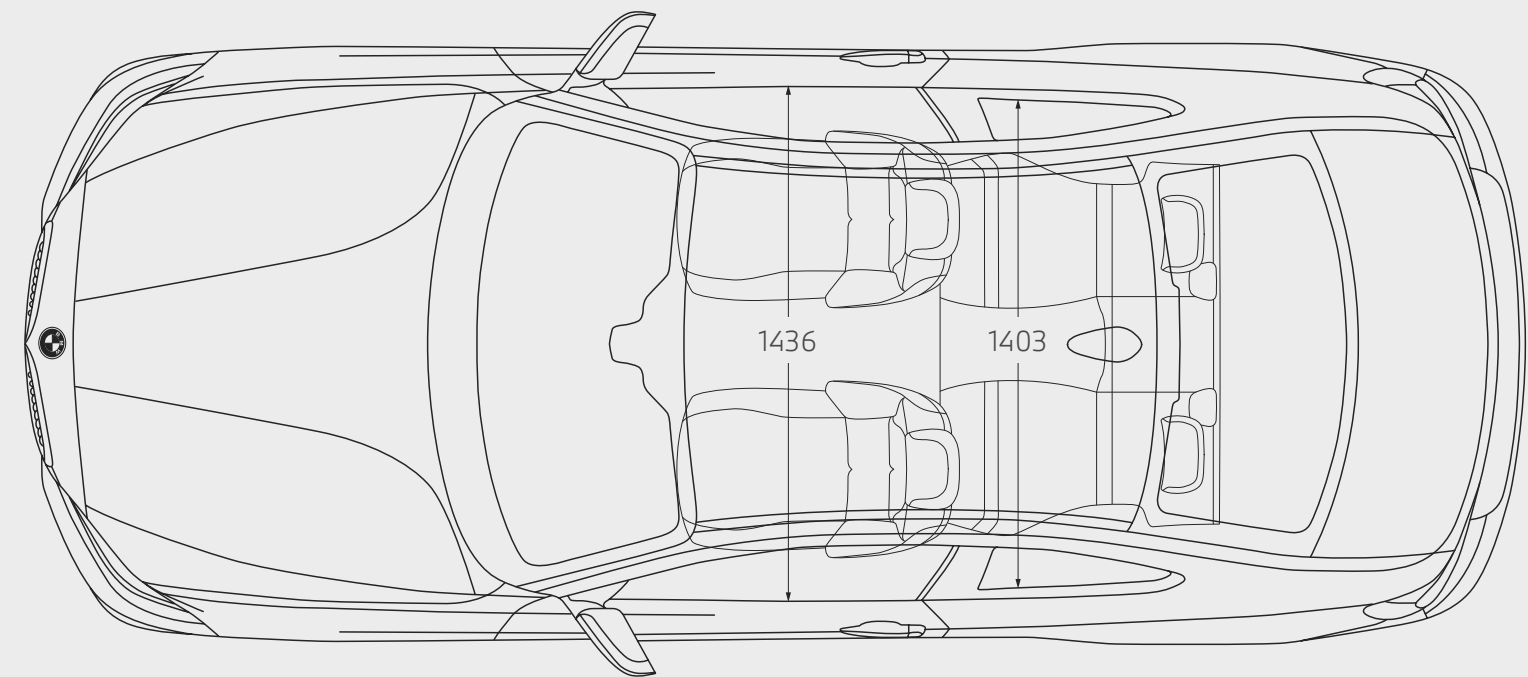
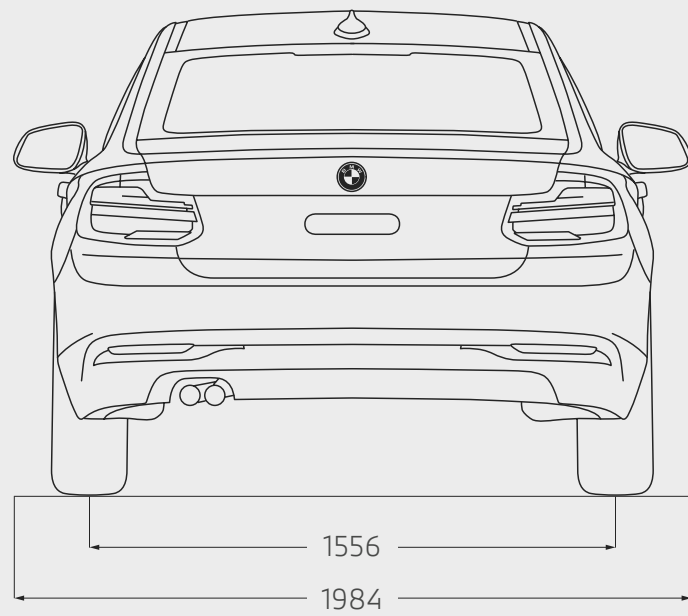
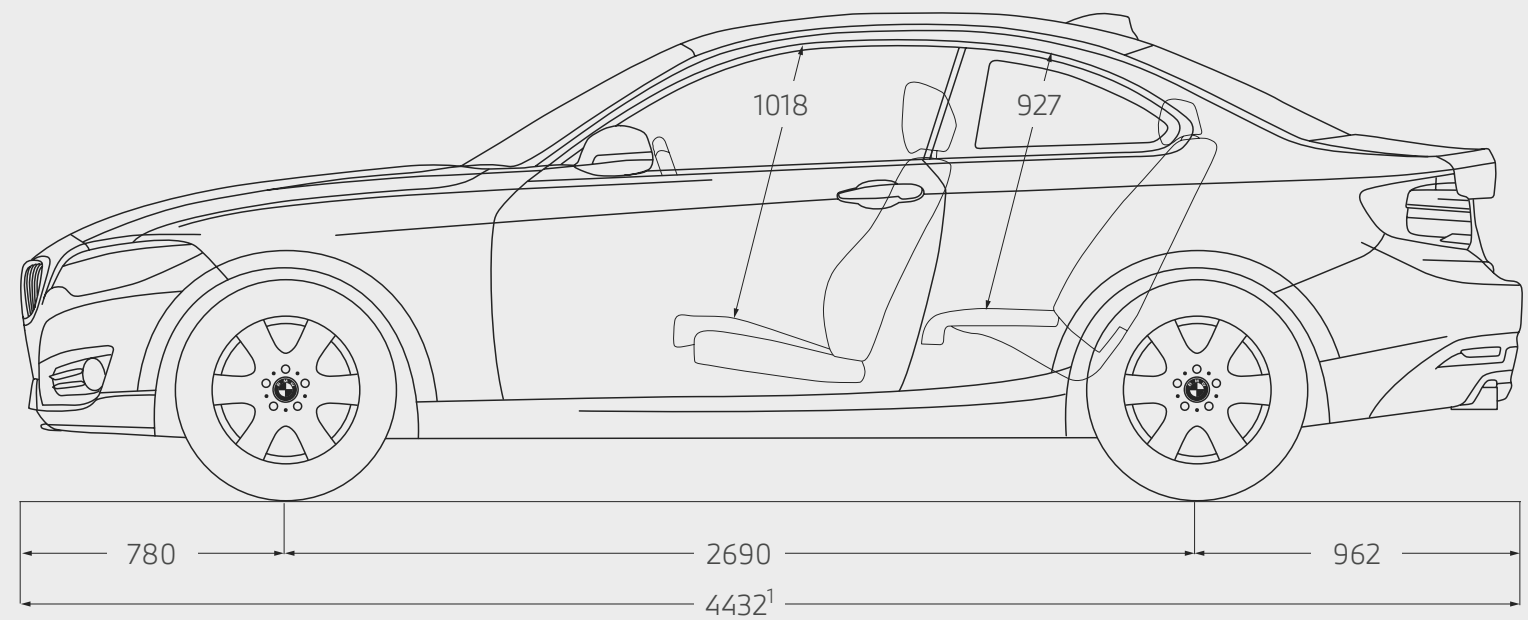
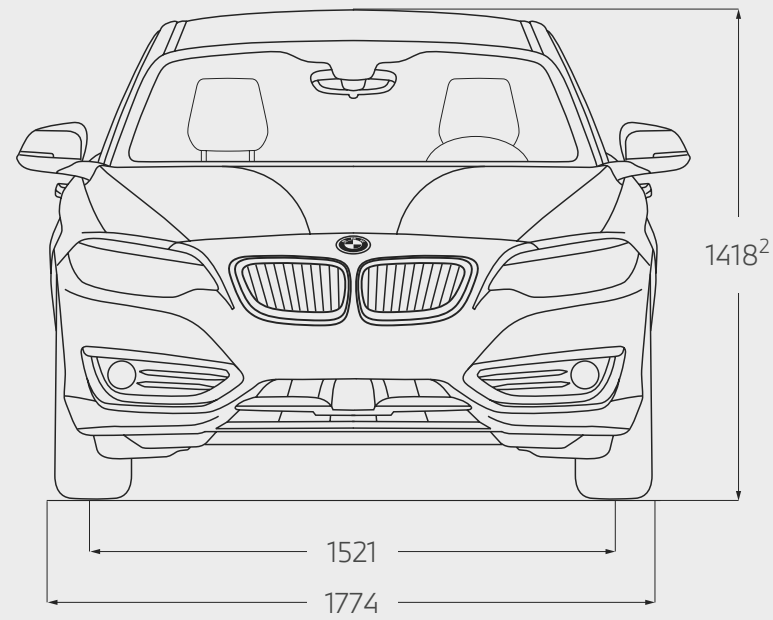
	■	-	-	-	-	-	■	Std
	-	■	-	■	-	-	■	Std
	-	□	-	□	-	-	■	£695
	-	-	■	-	■	-	■	Std
	-	-	□	-	□	□	■	n/a
	-	-	-	-	-	■	-	Std

See [Wheels & Tyres](#) for further details. Only with = these options must be ordered together. BMW Winter Tyre Packages are available on the BMW 2 Series Coupé and Convertible. Please contact your local BMW Centre for more information.

■ Standard equipment □ Optional equipment - Not available

DIMENSIONS.

THE BMW 2 SERIES COUPÉ.

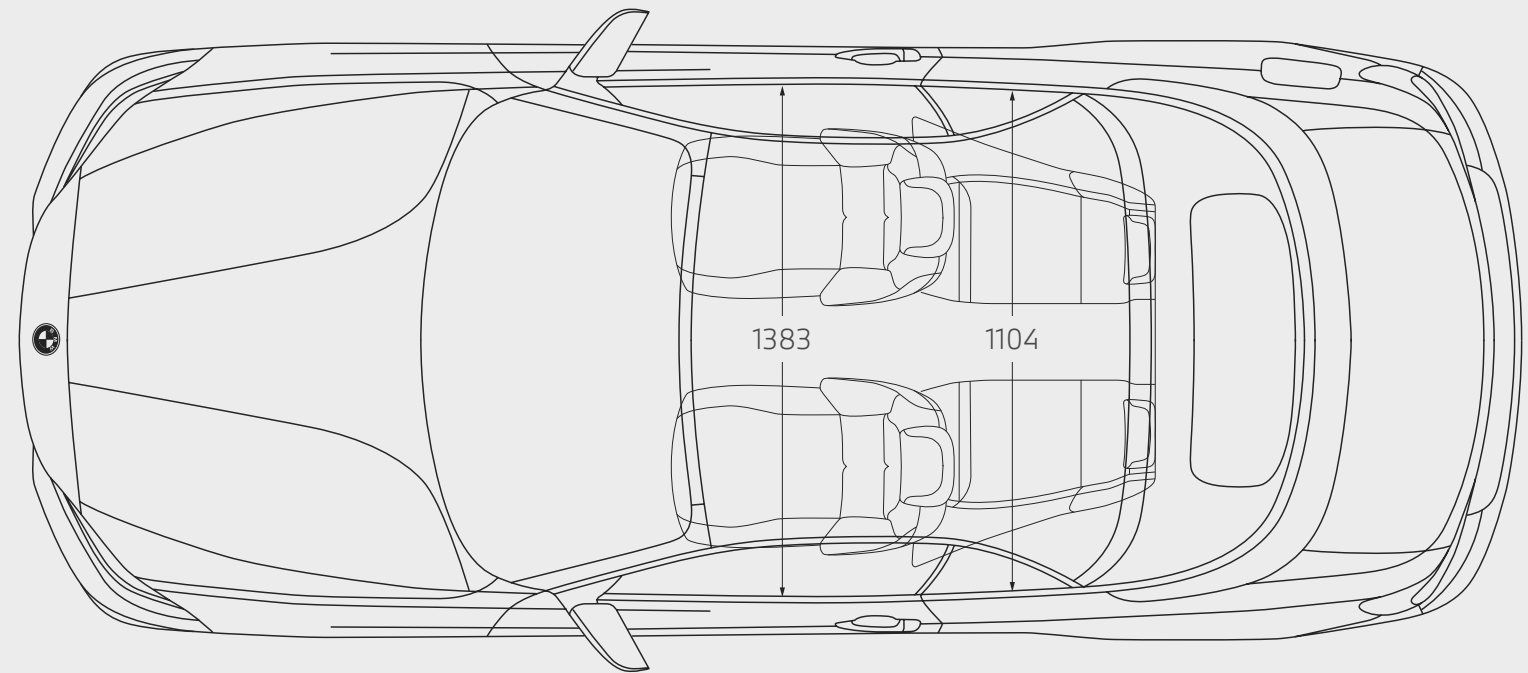
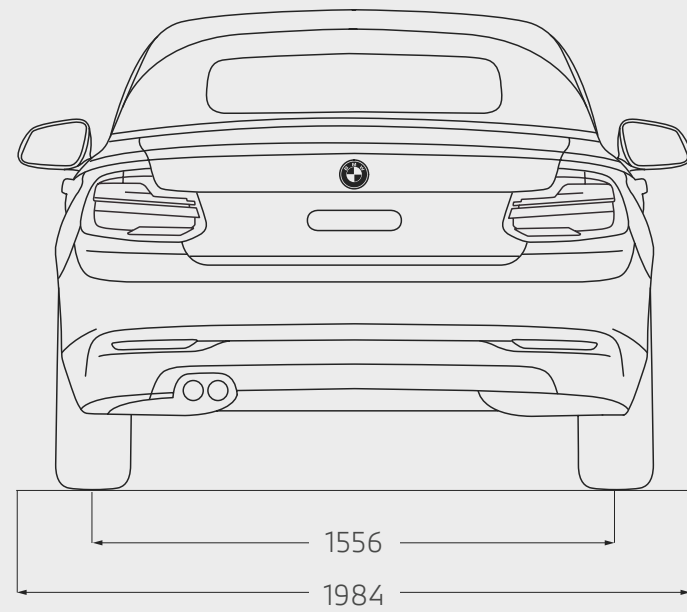
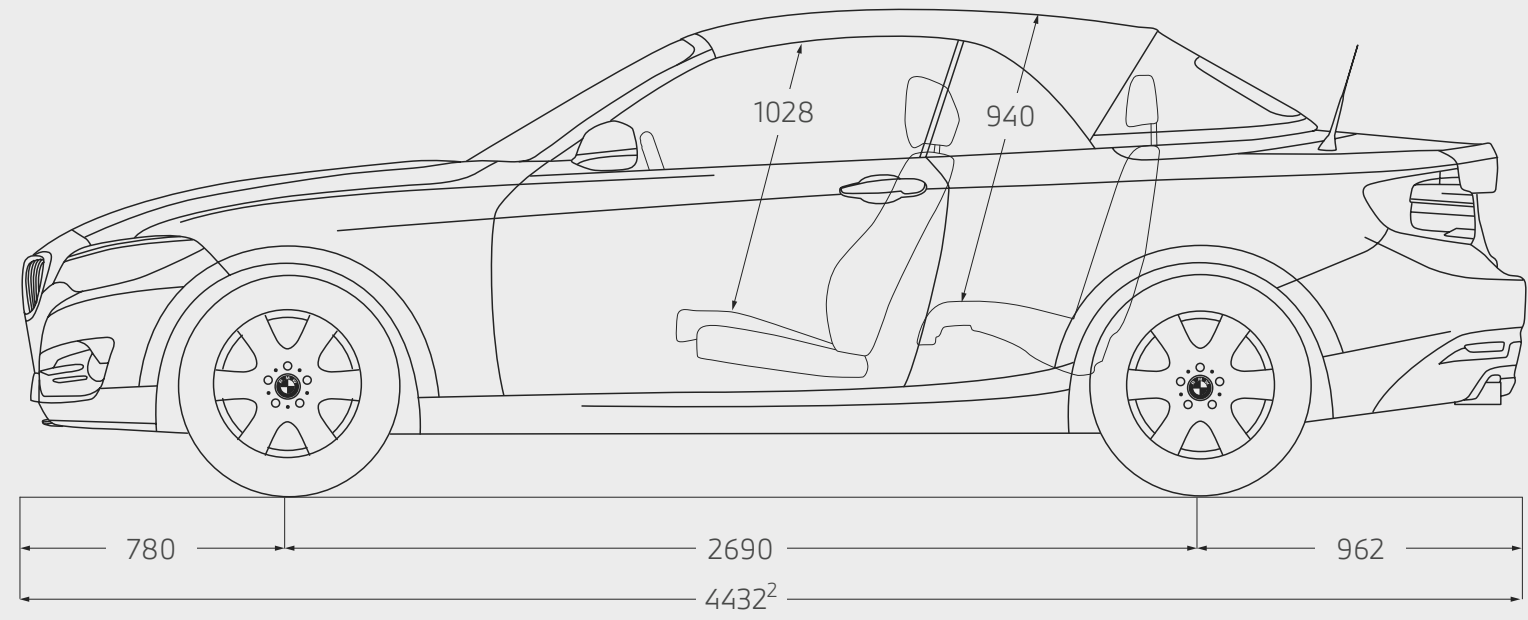
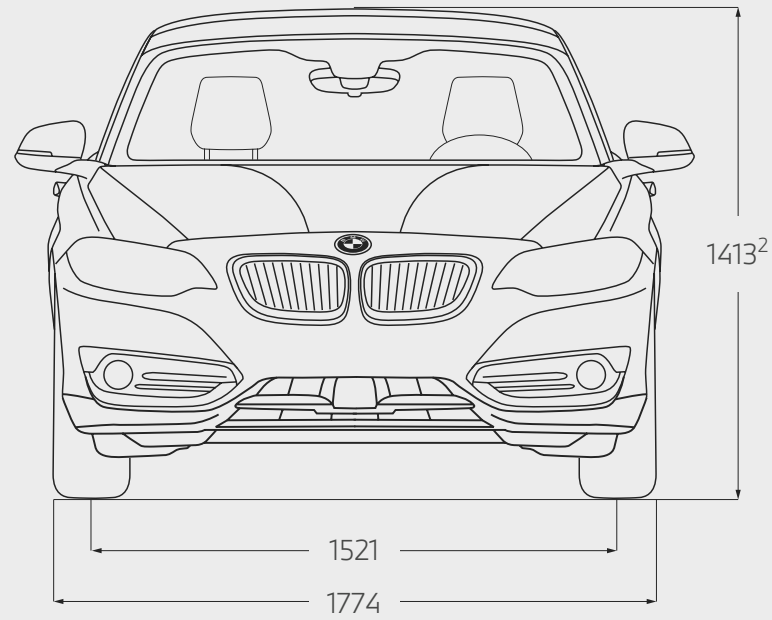


Length (mm)	4432 ¹	Height (mm)	1418 ³	Number of seats	4	Turning circle (m)	10.9
Width (mm)	1774	Width including mirrors (mm) (Driver / Passenger)	1984 (1001 / 983)	Wheelbase (mm)	2690	Luggage capacity (litre)	390

¹ = M240i: 4454mm. ² = M240i: 1408mm.

DIMENSIONS.

THE BMW 2 SERIES CONVERTIBLE.



Length (mm)	4432 ¹	Height (mm)	1413 ²	Number of seats	4	Turning circle (m)	10.9
Width (mm)	1774	Width including mirrors (mm) (Driver / Passenger)	1984 (1001 / 983)	Wheelbase (mm)	2690	Luggage capacity (litre)	280-335

¹ = M240i: 4454mm. ² = M240i: 1403mm.

BMW PAY MONTHLY SERVICING & TRACKSTAR.

SERVICING MADE SIMPLE.

Planning for the road ahead has never been easier. With the BMW Pay Monthly Service Plan¹ you can remove the uncertainty often associated with car servicing costs by spreading them monthly, much like you would your household bills. Our Pay Monthly service plan covers two services and any unused credit can be transferred to another BMW if you decide to switch unexpectedly. As part of the Pay Monthly plan you will also receive a number of added extras including:

- Fluid top ups
- An MOT
- A Wash & Vac each time you visit
- Seasonal health checks
- Sat Nav Map updates

Get the quality service and parts you expect from BMW with a fixed monthly payment. Give your BMW the care and attention it deserves from the experts that made it.

Price: £20 per month for 36 months

Please contact your preferred BMW Centre for further information.

BMW TRACKSTAR.

Locate and recover your vehicle if it is stolen with BMW Trackstar or BMW Trackstar Advance. Benefits include:

- 24/7 Trackstar Monitoring Centre
- Thatcham accredited
- Integrated motion sensor
- Pan-European protection

BMW Trackstar S7 price from: £399²

BMW Trackstar S5 price from £549²

BMW Trackstar S5 Advance price from: £649²



BMW CONNECTED DRIVE SERVICES.

BMW ConnectedDrive keeps driver and vehicle connected with the outside world. Digital services, driver-focused technologies and driver assistance systems provide more comfort, more entertainment and more safety. Increase your driving pleasure – with BMW ConnectedDrive.

For further information on BMW ConnectedDrive and the General Terms and Conditions of Service for ConnectedDrive, please see: www.bmw.co.uk/connecteddrive-information

The BMW ConnectedDrive Hotline is available on: +44 (0) 800 561 0555 from Monday to Friday 8am – 7pm and Saturday to Sunday 9am – 5pm.

CONNECTED DRIVE SERVICES DURATION

Online Entertainment	1 year
BMW Online Services	3 years
Concierge Services	3 years
Real Time Traffic Information	3 years
Apple CarPlay® preparation	Available and active without runtime limitations.
BMW Emergency Call	Available and active without runtime limitations.
BMW TeleServices	Available and active without runtime limitations.
Remote Services	Available and active without runtime limitations.

AVAILABILITY OF THE SERVICE

The complete range of Services is only available for customers whose vehicles are approved in United Kingdom, and only within United Kingdom.

"BMW Emergency Call" is available to customers in United Kingdom, Germany, Austria, Italy, San Marino, Vatican, France, Monaco, Switzerland, Liechtenstein, Belgium, Luxembourg, the Netherlands, Ireland, Spain, Andorra, Portugal, Sweden, Norway, Czech Republic, Poland, Turkey and Russia "TeleServices", "Concierge services", "Remote Services" and "BMW Online" can be accessed on any mobile communication network in Europe. When used abroad, the range and characteristics of the service may vary from the range and characteristics described above and may vary from country to country. "Real Time Traffic Information" is available in United Kingdom, Germany, Austria, Italy, France, the Netherlands, Switzerland, Belgium, Republic of Ireland, Spain, Portugal, Sweden and Norway. "Online Entertainment" is available for use in United Kingdom, Germany, France, Italy, Spain, Belgium, Luxembourg, the Netherlands, Austria and Switzerland.

GENERAL INFORMATION

BMW (UK) Ltd, Summit ONE, Summit Avenue, Farnborough, Hampshire, GU14 0FB (hereinafter referred to as "BMW") provides the customer with certain vehicle-related information and assistance functions (hereinafter called "Services") under the name of "BMW ConnectedDrive". BMW collects, stores or processes car-related data in compliance with applicable law and only to the extent necessary to provide the Services. BMW does not collect, store or process personal data in course of the Services – except where this is explicitly stated in the service description of the individual Services. In the case of Services that require personal data to be collected, stored and processed so that such Services can actually be provided, BMW informs customers of this in advance by providing this data protection notice. The Services are provided by means of a SIM card installed in the vehicle.

DEACTIVATION

You can have the BMW ConnectedDrive services deactivated through an authorised BMW centre, a BMW subsidiary or a BMW authorised workshop at any time. This also has the consequence that aspects of the emergency call in the vehicle as well as all remaining Services will no longer function.

You can additionally arrange for the remaining Services to be deactivated via "My BMW ConnectedDrive".

If the vehicle is equipped with the legally required EU Emergency Call (as from April 2018) a deactivation of the BMW ConnectedDrive basic services will not deactivate the vehicle's built-in SIM card. It has to remain active, so that the EU Emergency Call is functional all the time.

Services that are available and active without runtime limitations, cannot be guaranteed for permanent usage due to potential future technical developments (of the Service availability and/or Smartphone compatibility/operating systems).





READY TO TAKE THE NEXT STEP?