

The Passat and Passat Estate

Price and specification guide

Effective from 23.2.2021



Please note, the Volkswagen roundel depicted in the interior and exterior images featured in this publication does not represent the new Volkswagen brand identity so, therefore, will appear different.

Intuitive, intelligent and quite simply inspirational.

Everything about the Passat is designed to make your busy life easier, safer and more comfortable. It's the first Volkswagen to offer the new IQ.Drive system 'Travel Assist', providing partially assisted driving with control of steering, braking and acceleration up to 130mph (where the law permits) aided by a touch-sensitive steering wheel, another Volkswagen first. A self-assured exterior showcases stylish contours, an updated front grille, LED headlights and colours including Lapis Blue. While the restyled interior is spacious and packed with features such as seamless smartphone integration, Adaptive Cruise Control with Lane Assist and parking sensors as standard. Available as a Saloon or an Estate, the latter with a vast 650 litre luggage compartment volume. Trim levels include SE Nav, SEL and R-Line, and there are also Saloon and Estate GTE plug-in hybrids.

Please note, the Volkswagen roundel depicted in the interior and exterior images featured in this publication does not represent the new Volkswagen brand identity so, therefore, will appear different.



Model shown is Passat Estate R-Line with optional 'IQ. Light' LED matrix headlights, 19" 'Pretoria' Dark Graphite alloy wheels, panoramic sunroof and metallic signature paint.

Front cover models shown are Passat SEL with optional 'IQ. Light' LED matrix headlights, 17" 'Soho' Anthracite alloy wheels, panoramic sunroof and metallic paint, and Passat Estate R-Line with optional 'IQ. Light' LED matrix headlights, 19" 'Pretoria' Dark Graphite alloy wheels, panoramic sunroof and metallic signature paint.

R-Line. For those who demand the best.

The Passat R-Line raises the bar when it comes to style. Distinctive R-Line accents include specially designed front and rear bumpers, chrome body trim highlights, LED headlights blending seamlessly into the front chrome radiator grille and 'Gloss Black' surrounds featuring integrated fog lights. The exterior styling continues with the striking tornado line that runs from the front panel to the rear, as does the chrome detailing on the lower doors and lower front and rear bumpers. Side skirts and a 'Gloss Black' rear diffuser add to the sporty look and are enhanced by LED rear tail lights. Dynamic, sporty and self-assured, the Passat R-Line commands attention, leaving a lasting impression wherever it goes.



Model shown is Passat R-Line with optional 'IQ. Light' LED matrix headlights, 19" 'Pretoria' Dark Graphite alloy wheels and metallic signature paint.



01



02

01 The R-Line interior features an intuitive multifunction steering wheel, finished in Titan Black 'Nappa' leather¹ with 'R-Line' logo, and complementary decorative dashboard accents in 'Dark Diamond Flag'. Also included are pedals and door sill protectors in stainless steel effect and ambient lighting. Many of Volkswagen's technologies are fitted as standard, including the Discover Navigation infotainment system with integrated eSIM card and 'R-Line' start-screen. Furthermore, thanks to the new Wireless 'App-Connect'², your Passat can connect with current Apple or Android smartphones through three innovative technologies: 'MirrorLink'[™], Apple 'CarPlay' and Google 'Android Auto'. Image shown features an optional Discover Navigation Pro infotainment system, Active Info Display and metallic signature paint.

02 R-Line sports seats for the driver and front passenger are both contemporary and stylish, featuring seat centre sections in Titan Black 'Nappa' leather¹ with 'Carbon Optic' side bolsters and the distinctive 'R-Line' logo displayed on the front seat backrest. Image shown features optional panoramic sunroof and metallic signature paint.

¹ Some parts of leather interior will contain artificial leather.
² Only operable in conjunction with compatible smartphones including iPhone 5 and above. Display and operation of certified apps including audio and voice control (if supported by the app). Usage of certified apps only while driving. Please see www.volkswagen.co.uk to check smartphone compatibility.

Work. Life. And Eco Balance. All in one.

With its powerful 1.4 litre TSI petrol engine, the Passat GTE with plug-in hybrid technology puts you on the road to tomorrow. Powered by a turbocharged engine and electric motor, delivering a combined output of 218 PS, it is capable of travelling up to 40 miles¹ (WLTP cycle) on one battery charge. That's 12 miles further than the previous GTE model, representing an increase of 40%. Elegant signature highlights inside and out create an expressive, graceful design, while 'Vienna' leather² upholstery, 'Blue' ambient lighting, striking 'Blue' brake callipers and characteristic 'C' signature LED daytime running lights add a sporty, confident touch.



01 The large capacity 13 kWh battery increases the electric-only range up to 40 miles¹ of **emission-free driving**. Charging time is around four hours, while driving modes allow you to save battery use for zero-emission zones. For drivers commuting into London, the GTE is exempt from the Congestion Charge. Model shown is Passat Estate GTE.



Models shown are Passat Estate GTE with optional 'IQ, Light' LED matrix headlights, panoramic sunroof and Head-up Display, and Passat GTE Advance with optional 19" 'Pretoria' Dark Graphite alloy wheels.

1 Please visit www.volkswagen.co.uk for CO₂ emissions and fuel consumption figures. Figures based on a fully charged battery at the start of the journey and dependent on outdoor temperature and driving style. 40 miles is the range for the Saloon GTE model. Please see the [Environmental Information section](#) for specific model's electric range.

2 Some parts of leather interior will contain artificial leather.

Model prices – Passat.

4-DOOR SALOON RANGE.		RDE2 Compliant	Fuel	Transmission	Output, PS	CO ₂ emission, g/km ¹ WLTP test cycle	Basic Recommended Retail £	VAT £	Total Recommended Retail £	Additional 'On the road' Costs £ ²	Manufacturer's Recommended 'On the road' Retail £ ²	P11D Value £ ³	BIK % ⁴	ABI Insurance Group ⁵
SE NAV [‡]	1.5 ltr TSI EVO ^{††}	No	Petrol	4-door	6-spd manual	150	21,816.67	4,363.33	26,180.00	905.00	27,085.00	26,815.00	30	20E
	1.5 ltr TSI EVO ^{††}	No	Petrol	4-door	7-spd auto DSG	150	23,150.00	4,630.00	27,780.00	905.00	28,685.00	28,415.00	31	20E
	1.5 ltr TSI EVO [‡]	Yes	Petrol	4-door	6-spd manual	150	21,816.67	4,363.33	26,180.00	905.00	27,085.00	26,815.00	30	TBA
	1.5 ltr TSI EVO [‡]	Yes	Petrol	4-door	7-spd auto DSG	150	23,150.00	4,630.00	27,780.00	905.00	28,685.00	28,415.00	31	TBA
	2.0 ltr TDI EVO SCR [‡]	Yes	Diesel	4-door	7-spd auto DSG	122	24,058.33	4,811.67	28,870.00	865.00	29,735.00	29,505.00	28	16E
	2.0 ltr TDI EVO SCR ^{††}	No	Diesel	4-door	6-spd manual	150	23,808.33	4,761.67	28,570.00	905.00	29,475.00	29,205.00	31	22E
	2.0 ltr TDI EVO SCR ^{††}	No	Diesel	4-door	7-spd auto DSG	150	25,141.67	5,028.33	30,170.00	905.00	31,075.00	30,805.00	33	22E
	2.0 ltr TDI EVO SCR [‡]	Yes	Diesel	4-door	6-spd manual	150	23,808.33	4,761.67	28,570.00	865.00	29,435.00	29,205.00	27	TBA
	2.0 ltr TDI EVO SCR [‡]	Yes	Diesel	4-door	7-spd auto DSG	150	25,141.67	5,028.33	30,170.00	865.00	31,035.00	30,805.00	27	22E

1 Figures for the Volkswagen Passat range, including petrol, diesel and hybrid vehicles. Plug-in hybrid vehicles require mains electricity for charging. Figures for hybrid vehicles were obtained using a combination of battery power and fuel. Figures shown are for comparability purposes; only compare fuel consumption, CO₂ and electric range figures with other vehicles tested to the same technical procedures. These figures may not reflect real life driving results, which will depend upon a number of factors including the accessories fitted (post-registration), variations in weather, driving styles and vehicle load. Data correct at 10.12.2020. For more information, please see www.volkswagen.co.uk/need-help/wltp or consult your authorised Volkswagen retailer. 2 The recommended 'On the road' prices and any VED charges quoted reflect the VED charges which apply to vehicles registered after 1 April 2020. The price and charges you pay may differ from any prices or charges displayed or quoted before 1 April 2020. For full details of 'First year rate' VED (Vehicle Excise Duty), delivery to retailer, number plates and vehicle first registration fee included in the recommended 'On the road' retail price, [please click here](#). 3 P11D value = Total recommended retail price + delivery to retailer £509.17, + number plates £20, + VAT £105.83 (calculated by reference to total of delivery to retailer + number plates). P11D value is based on standard specification model with no factory-fitted options or other accessories. 4 The BIK charges quoted reflect the charges which apply to vehicles registered after 6 April 2020. These charges may differ from any charges displayed or quoted before 6 April 2020. The BIK % figure quoted includes the 4% diesel supplement, where applicable. Please consult your Volkswagen retailer for full details. 5 The ABI insurance group is the recommended insurance rating set by the Association of British Insurers. Please note that insurance group ratings are purely advisory. They are used by insurers (ABI members and Lloyd's syndicates) as one of the factors in calculating premiums. Insurers are not required to follow the advisory group ratings and they may depart from them if they so wish. ‡ These vehicles are WLTP (Worldwide Harmonised Light-Duty Vehicles Test Procedure) type approved vehicles. More information is available at www.volkswagen.co.uk/need-help/wltp. † Please note these models may no longer be available to order, or only be available from stock and not available to factory order. SCR (Selective Catalytic Reduction) requires AdBlue®, [please click here](#) or visit www.volkswagen.co.uk/technology/engines/adblue for more details. RDE2 refers to Real Driving Emissions Step 2.

Volkswagen Service Plan – Retail sales only.

For vehicles under 1 year old set to the Fixed Service regime that has not had its first service, comprising first two manufacturer's scheduled services:

- 'Oil service' including oil filter change
- 'Oil service' including oil filter change and 'Inspection service' plus a pollen filter replacement (if required)

Excludes electric vehicles. Service plan covers first two consecutive services, limited to 1x 'Oil service' and 1x 'Oil and Inspection service'. T&Cs apply: All vehicles must be set to the Fixed Service regime by the retailer. Maximum age of car is 12 months (Service plan must be taken out before first service is due). Additional work, including wear and tear is excluded. Servicing must be carried out in line with the requirement of the Service Schedule. All work must be carried out by an Authorised Volkswagen Repairer. Offers may be varied or withdrawn at any time. Plan validity is dependent on required payments received. Administered by Volkswagen Financial Services. Retail sales only. For pricing and further details, please consult your authorised Volkswagen retailer or visit www.volkswagen.co.uk

Prices, specifications, features, technical and other information (including fuel consumption, CO₂ emissions and range) are updated regularly and are subject to change without notice (this may include changes between order and delivery). There may be a delay in updates to our materials – always consult your authorised Volkswagen retailer for the latest information.

Volkswagen UK may change RRP's at any time (this includes where there are government changes in regulation and/or legislation).

There may be a delay to any RRP displaying correctly on our materials. Always obtain prices from your chosen authorised Volkswagen retailer..

VAT IS CALCULATED AT 20%. EFFECTIVE FROM 23 FEBRUARY 2021.

Model prices – Passat.

4-DOOR SALOON RANGE.		RDE2 Compliant	Fuel	Transmission	Output, PS	CO ₂ emission, g/km ¹ WLTP test cycle	Basic Recommended Retail £	VAT £	Total Recommended Retail £	Additional 'On the road' Costs £ ²	Manufacturer's Recommended 'On the road' Retail £ ²	P11D Value £ ³	BIK % ⁴	ABI Insurance Group ⁵
SEL [‡]	1.5 ltr TSI EVO ^{††}	No	Petrol	4-door	6-spd manual	150	22,341.67	4,468.33	26,810.00	905.00	27,715.00	27,445.00	30	20E
	1.5 ltr TSI EVO ^{††}	No	Petrol	4-door	7-spd auto DSG	150	23,675.00	4,735.00	28,410.00	905.00	29,315.00	29,045.00	31	20E
	1.5 ltr TSI EVO [‡]	Yes	Petrol	4-door	6-spd manual	150	22,341.67	4,468.33	26,810.00	905.00	27,715.00	27,445.00	31	TBA
	1.5 ltr TSI EVO [‡]	Yes	Petrol	4-door	7-spd auto DSG	150	23,675.00	4,735.00	28,410.00	905.00	29,315.00	29,045.00	31	TBA
	2.0 ltr TDI EVO SCR [‡]	Yes	Diesel	4-door	7-spd auto DSG	122	24,583.33	4,916.67	29,500.00	865.00	30,365.00	30,135.00	28	16E
	2.0 ltr TDI EVO SCR ^{††}	No	Diesel	4-door	6-spd manual	150	24,333.33	4,866.67	29,200.00	905.00	30,105.00	29,835.00	31	22E
	2.0 ltr TDI EVO SCR ^{††}	No	Diesel	4-door	7-spd auto DSG	150	25,666.67	5,133.33	30,800.00	905.00	31,705.00	31,435.00	33	22E
	2.0 ltr TDI EVO SCR [‡]	Yes	Diesel	4-door	6-spd manual	150	24,333.33	4,866.67	29,200.00	865.00	30,065.00	29,835.00	28	TBA
	2.0 ltr TDI EVO SCR [‡]	Yes	Diesel	4-door	7-spd auto DSG	150	25,666.67	5,133.33	30,800.00	865.00	31,665.00	31,435.00	27	22E
R-LINE [‡]	1.5 ltr TSI EVO ^{††}	No	Petrol	4-door	6-spd manual	150	24,675.00	4,935.00	29,610.00	905.00	30,515.00	30,245.00	30	21E
	1.5 ltr TSI EVO ^{††}	No	Petrol	4-door	7-spd auto DSG	150	26,008.33	5,201.67	31,210.00	905.00	32,115.00	31,845.00	32	21E
	1.5 ltr TSI EVO [‡]	Yes	Petrol	4-door	6-spd manual	150	24,675.00	4,935.00	29,610.00	905.00	30,515.00	30,245.00	31	TBA
	1.5 ltr TSI EVO [‡]	Yes	Petrol	4-door	7-spd auto DSG	150	26,008.33	5,201.67	31,210.00	905.00	32,115.00	31,845.00	32	TBA
	2.0 ltr TDI EVO SCR ^{††}	No	Diesel	4-door	6-spd manual	150	26,666.67	5,333.33	32,000.00	905.00	32,905.00	32,635.00	32	22E
	2.0 ltr TDI EVO SCR ^{††}	No	Diesel	4-door	7-spd auto DSG	150	28,000.00	5,600.00	33,600.00	1,230.00	34,830.00	34,235.00	33	22E
	2.0 ltr TDI EVO SCR [‡]	Yes	Diesel	4-door	6-spd manual	150	26,666.67	5,333.33	32,000.00	865.00	32,865.00	32,635.00	28	TBA
	2.0 ltr TDI EVO SCR [‡]	Yes	Diesel	4-door	7-spd auto DSG	150	28,000.00	5,600.00	33,600.00	865.00	34,465.00	34,235.00	28	22E
	2.0 ltr TDI SCR ^{††}	No	Diesel	4-door	7-spd auto DSG	190	29,250.00	5,850.00	35,100.00	1,230.00	36,330.00	35,735.00	36	26E
	2.0 ltr TDI SCR [‡]	Yes	Diesel	4-door	7-spd auto DSG	200	29,250.00	5,850.00	35,100.00	905.00	36,005.00	35,735.00	30	TBA

1. Figures for the Volkswagen Passat range, including petrol, diesel and hybrid vehicles. Plug-in hybrid vehicles require mains electricity for charging. Figures for hybrid vehicles were obtained using a combination of battery power and fuel. Figures shown are for comparability purposes; only compare fuel consumption, CO₂ and electric range figures with other vehicles tested to the same technical procedures. These figures may not reflect real life driving results, which will depend upon a number of factors including the accessories fitted (post-registration), variations in weather, driving styles and vehicle load. Data correct at 10.12.2020. For more information, please see www.volkswagen.co.uk/need-help/wltp or consult your authorised Volkswagen retailer. 2. The recommended 'On the road' prices and any VED charges quoted reflect the VED charges which apply to vehicles registered after 1 April 2020. The price and charges you pay may differ from any prices or charges displayed or quoted before 1 April 2020. For full details of 'First year rate' VED (Vehicle Excise Duty), delivery to retailer, number plates and vehicle first registration fee included in the recommended 'On the road' retail price, [please click here](#). 3. P11D value = Total recommended retail price + delivery to retailer £509.17, + number plates £20, + VAT £105.83 (calculated by reference to total of delivery to retailer + number plates). P11D value is based on standard specification model with no factory-fitted options or other accessories. 4. The BIK charges quoted reflect the charges which apply to vehicles registered after 6 April 2020. These charges may differ from any charges displayed or quoted before 6 April 2020. The BIK % figure quoted includes the 4% diesel supplement, where applicable. Please consult your Volkswagen retailer for full details. 5. The ABI insurance group is the recommended insurance rating set by the Association of British Insurers. Please note that insurance group ratings are purely advisory. They are used by insurers (ABI members and Lloyd's syndicates) as one of the factors in calculating premiums. Insurers are not required to follow the advisory group ratings and they may depart from them if they so wish. ‡ These vehicles are WLTP (Worldwide Harmonised Light-Duty Vehicles Test Procedure) type approved vehicles. More information is available at www.volkswagen.co.uk/need-help/wltp. † Please note these models may no longer be available to order, or only be available from stock and not available to factory order. SCR (Selective Catalytic Reduction) requires AdBlue®, [please click here](#) or visit www.volkswagen.co.uk/technology/engines/adblue for more details. RDE2 refers to Real Driving Emissions Step 2.

Prices, specifications, features, technical and other information (including fuel consumption, CO₂ emissions and range) are updated regularly and are subject to change without notice (this may include changes between order and delivery). There may be a delay in updates to our materials – always consult your authorised Volkswagen retailer for the latest information.

Volkswagen UK may change RRP's at any time (this includes where there are government changes in regulation and/or legislation).

There may be a delay to any RRP displaying correctly on our materials. Always obtain prices from your chosen authorised Volkswagen retailer.

VAT IS CALCULATED AT 20%. EFFECTIVE FROM 23 FEBRUARY 2021.

Model prices – Passat.

PETROL/ELECTRIC HYBRID 4-DOOR SALOON RANGE.		RDE2 Compliant	Fuel	Transmission	Combined output, PS	CO ₂ emission, g/km ¹ WLTP test cycle	Basic Recommended Retail £	VAT £	Total Recommended Retail £	Additional 'On the road' Costs £ ²	Manufacturer's Recommended 'On the road' Retail £ ²	P11D Value £ ³	BIK % ⁴	ABI Insurance Group ⁵
GTE ‡	1.4 ltr TSI PHEV ^{††}	No	Hybrid	4-door	6-spd auto DSG	218	30,083.33	6,016.67	36,100.00	690.00	36,790.00	36,735.00	10	26E
	1.4 ltr TSI PHEV [‡]	Yes	Hybrid	4-door	6-spd auto DSG	218	30,083.33	6,016.67	36,100.00	690.00	36,790.00	36,735.00	6	TBA
GTE ADVANCE ‡	1.4 ltr TSI PHEV ^{††}	No	Hybrid	4-door	6-spd auto DSG	218	32,325.00	6,465.00	38,790.00	690.00	39,480.00	39,425.00	10	28E
	1.4 ltr TSI PHEV [‡]	Yes	Hybrid	4-door	6-spd auto DSG	218	32,325.00	6,465.00	38,790.00	690.00	39,480.00	39,425.00	10	TBA

1 Figures for the Volkswagen Passat range, including petrol, diesel and hybrid vehicles. Plug-in hybrid vehicles require mains electricity for charging. Figures for hybrid vehicles were obtained using a combination of battery power and fuel. Figures shown are for comparability purposes; only compare fuel consumption, CO₂ and electric range figures with other vehicles tested to the same technical procedures. These figures may not reflect real life driving results, which will depend upon a number of factors including the accessories fitted (post-registration), variations in weather, driving styles and vehicle load. Data correct at 10.12.2020. For more information, please see www.volkswagen.co.uk/need-help/wltp or consult your authorised Volkswagen retailer. 2 The recommended 'On the road' prices and any VED charges quoted reflect the VED charges which apply to vehicles registered after 1 April 2020. The price and charges you pay may differ from any prices or charges displayed or quoted before 1 April 2020. For full details of 'First year rate' VED (Vehicle Excise Duty), delivery to retailer, number plates and vehicle first registration fee included in the recommended 'On the road' retail price, [please click here](#) 3 P11D value = Total recommended retail price + delivery to retailer £509.17, + number plates £20, + VAT £105.83 (calculated by reference to total of delivery to retailer + number plates). P11D value is based on standard specification model with no factory-fitted options or other accessories. 4 The BIK charges quoted reflect the charges which apply to vehicles registered after 6 April 2020. These charges may differ from any charges displayed or quoted before 6 April 2020. The BIK % figure quoted includes the 4% diesel supplement, where applicable. Please consult your Volkswagen retailer for full details. 5 The ABI insurance group is the recommended insurance rating set by the Association of British Insurers. Please note that insurance group ratings are purely advisory. They are used by insurers (ABI members and Lloyd's syndicates) as one of the factors in calculating premiums. Insurers are not required to follow the advisory group ratings and they may depart from them if they so wish.

‡ These vehicles are WLTP (Worldwide Harmonised Light-Duty Vehicles Test Procedure) type approved vehicles. More information is available at www.volkswagen.co.uk/need-help/wltp.

† Please note these models may no longer be available to order, or only be available from stock and not available to factory order.

SCR (Selective Catalytic Reduction) requires AdBlue®, [please click here](#) or visit www.volkswagen.co.uk/technology/engines/adblue for more details.

RDE2 refers to Real Driving Emissions Step 2.

Volkswagen Service Plan – Retail sales only.

For vehicles under 1 year old set to the Fixed Service regime that has not had its first service, comprising first two manufacturer's scheduled services:

- 'Oil service' including oil filter change
- 'Oil service' including oil filter change and 'Inspection service' plus a pollen filter replacement (if required)

Excludes electric vehicles. Service plan covers first two consecutive services, limited to 1x 'Oil service' and 1x 'Oil and Inspection service'. T&Cs apply: All vehicles must be set to the Fixed Service regime by the retailer. Maximum age of car is 12 months (Service plan must be taken out before first service is due). Additional work, including wear and tear is excluded. Servicing must be carried out in line with the requirement of the Service Schedule. All work must be carried out by an Authorised Volkswagen Repairer. Offers may be varied or withdrawn at any time. Plan validity is dependent on required payments received. Administered by Volkswagen Financial Services. Retail sales only. For pricing and further details, please consult your authorised Volkswagen retailer or visit www.volkswagen.co.uk

Prices, specifications, features, technical and other information (including fuel consumption, CO₂ emissions and range) are updated regularly and are subject to change without notice (this may include changes between order and delivery). There may be a delay in updates to our materials – always consult your authorised Volkswagen retailer for the latest information.

Volkswagen UK may change RRP's at any time (this includes where there are government changes in regulation and/or legislation).

There may be a delay to any RRP displaying correctly on our materials. Always obtain prices from your chosen authorised Volkswagen retailer.

VAT IS CALCULATED AT 20%. EFFECTIVE FROM 23 FEBRUARY 2021.

Model prices – Passat Estate.

5-DOOR ESTATE RANGE.		RDE2 Compliant	Fuel	Transmission	Output, PS	CO ₂ emission, g/km ¹ WLTP test cycle	Basic Recommended Retail £	VAT £	Total Recommended Retail £	Additional 'On the road' Costs £ ²	Manufacturer's Recommended 'On the road' Retail £ ²	P11D Value £ ³	BIK % ⁴	ABI Insurance Group ⁵
SE NAV [‡]	1.5 ltr TSI EVO ^{††}	No	Petrol	5-door	6-spd manual	150	23,695.83	4,739.17	28,435.00	905.00	29,340.00	29,070.00	31	20E
	1.5 ltr TSI EVO ^{††}	No	Petrol	5-door	7-spd auto DSG	150	25,029.17	5,005.83	30,035.00	905.00	30,940.00	30,670.00	32	20E
	1.5 ltr TSI EVO [‡]	Yes	Petrol	5-door	6-spd manual	150	23,695.83	4,739.17	28,435.00	905.00	29,340.00	29,070.00	31	TBA
	1.5 ltr TSI EVO [‡]	Yes	Petrol	5-door	7-spd auto DSG	150	25,029.17	5,005.83	30,035.00	905.00	30,940.00	30,670.00	32	TBA
	2.0 ltr TDI EVO SCR [‡]	Yes	Diesel	5-door	7-spd auto DSG	122	25,937.50	5,187.50	31,125.00	865.00	31,990.00	31,760.00	28	16E
	2.0 ltr TDI EVO SCR ^{††}	No	Diesel	5-door	6-spd manual	150	25,687.50	5,137.50	30,825.00	905.00	31,730.00	31,460.00	32	21E
	2.0 ltr TDI EVO SCR ^{††}	No	Diesel	5-door	7-spd auto DSG	150	27,020.83	5,404.17	32,425.00	1,230.00	33,655.00	33,060.00	33	22E
	2.0 ltr TDI EVO SCR [‡]	Yes	Diesel	5-door	6-spd manual	150	25,687.50	5,137.50	30,825.00	865.00	31,690.00	31,460.00	28	TBA
	2.0 ltr TDI EVO SCR [‡]	Yes	Diesel	5-door	7-spd auto DSG	150	27,020.83	5,404.17	32,425.00	865.00	33,290.00	33,060.00	28	22E

1 Figures for the Volkswagen Passat range, including petrol, diesel and hybrid vehicles. Plug-in hybrid vehicles require mains electricity for charging. Figures for hybrid vehicles were obtained using a combination of battery power and fuel. Figures shown are for comparability purposes; only compare fuel consumption, CO₂ and electric range figures with other vehicles tested to the same technical procedures. These figures may not reflect real life driving results, which will depend upon a number of factors including the accessories fitted (post-registration), variations in weather, driving styles and vehicle load. Data correct at 10.12.2020. For more information, please see www.volkswagen.co.uk/need-help/wltp or consult your authorised Volkswagen retailer. 2 The recommended 'On the road' prices and any VED charges quoted reflect the VED charges which apply to vehicles registered after 1 April 2020. The price and charges you pay may differ from any prices or charges displayed or quoted before 1 April 2020. For full details of 'First year rate' VED (Vehicle Excise Duty), delivery to retailer, number plates and vehicle first registration fee included in the recommended 'On the road' retail price, [please click here](#). 3 P11D value = Total recommended retail price + delivery to retailer £509.17, + number plates £20, + VAT £105.83 (calculated by reference to total of delivery to retailer + number plates). P11D value is based on standard specification model with no factory-fitted options or other accessories. 4 The BIK charges quoted reflect the charges which apply to vehicles registered after 6 April 2020. These charges may differ from any charges displayed or quoted before 6 April 2020. The BIK % figure quoted includes the 4% diesel supplement, where applicable. Please consult your Volkswagen retailer for full details. 5 The ABI insurance group is the recommended insurance rating set by the Association of British Insurers. Please note that insurance group ratings are purely advisory. They are used by insurers (ABI members and Lloyd's syndicates) as one of the factors in calculating premiums. Insurers are not required to follow the advisory group ratings and they may depart from them if they so wish. ‡ These vehicles are WLTP (Worldwide Harmonised Light-Duty Vehicles Test Procedure) type approved vehicles. More information is available at www.volkswagen.co.uk/need-help/wltp. † Please note these models may no longer be available to order, or only be available from stock and not available to factory order. SCR (Selective Catalytic Reduction) requires AdBlue®, [please click here](#) or visit www.volkswagen.co.uk/technology/engines/adblue for more details. RDE2 refers to Real Driving Emissions Step 2.

Volkswagen Service Plan – Retail sales only.

For vehicles under 1 year old set to the Fixed Service regime that has not had its first service, comprising first two manufacturer's scheduled services:

- 'Oil service' including oil filter change
- 'Oil service' including oil filter change and 'Inspection service' plus a pollen filter replacement (if required)

Excludes electric vehicles. Service plan covers first two consecutive services, limited to 1x 'Oil service' and 1x 'Oil and Inspection service'. T&Cs apply: All vehicles must be set to the Fixed Service regime by the retailer. Maximum age of car is 12 months (Service plan must be taken out before first service is due). Additional work, including wear and tear is excluded. Servicing must be carried out in line with the requirement of the Service Schedule. All work must be carried out by an Authorised Volkswagen Repairer. Offers may be varied or withdrawn at any time. Plan validity is dependent on required payments received. Administered by Volkswagen Financial Services. Retail sales only. For pricing and further details, please consult your authorised Volkswagen retailer or visit www.volkswagen.co.uk

Prices, specifications, features, technical and other information (including fuel consumption, CO₂ emissions and range) are updated regularly and are subject to change without notice (this may include changes between order and delivery). There may be a delay in updates to our materials – always consult your authorised Volkswagen retailer for the latest information.

Volkswagen UK may change RRP's at any time (this includes where there are government changes in regulation and/or legislation).

There may be a delay to any RRP displaying correctly on our materials. Always obtain prices from your chosen authorised Volkswagen retailer.

VAT IS CALCULATED AT 20%. EFFECTIVE FROM 23 FEBRUARY 2021.

Model prices – Passat Estate.

5-DOOR ESTATE RANGE.		RDE2 Compliant	Fuel	Transmission	Output, PS	CO ₂ emission, g/km ¹ WLTP test cycle	Basic Recommended Retail £	VAT £	Total Recommended Retail £	Additional 'On the road' Costs £ ²	Manufacturer's Recommended 'On the road' Retail £ ²	P11D Value £ ³	BIK % ⁴	ABI Insurance Group ⁵
SEL [‡]	1.5 ltr TSI EVO ^{††}	No	Petrol	5-door	6-spd manual	150	24,220.83	4,844.17	29,065.00	905.00	29,970.00	29,700.00	31	20E
	1.5 ltr TSI EVO ^{††}	No	Petrol	5-door	7-spd auto DSG	150	25,554.17	5,110.83	30,665.00	905.00	31,570.00	31,300.00	32	20E
	1.5 ltr TSI EVO [‡]	Yes	Petrol	5-door	6-spd manual	150	24,220.83	4,844.17	29,065.00	905.00	29,970.00	29,700.00	31	TBA
	1.5 ltr TSI EVO [‡]	Yes	Petrol	5-door	7-spd auto DSG	150	25,554.17	5,110.83	30,665.00	905.00	31,570.00	31,300.00	32	TBA
	2.0 ltr TDI EVO SCR [‡]	Yes	Diesel	5-door	7-spd auto DSG	122	26,462.50	5,292.50	31,755.00	865.00	32,620.00	32,390.00	28	16E
	2.0 ltr TDI EVO SCR ^{††}	No	Diesel	5-door	6-spd manual	150	26,212.50	5,242.50	31,455.00	905.00	32,360.00	32,090.00	32	21E
	2.0 ltr TDI EVO SCR ^{††}	No	Diesel	5-door	7-spd auto DSG	150	27,545.83	5,509.17	33,055.00	1,230.00	34,285.00	33,690.00	34	22E
	2.0 ltr TDI EVO SCR [‡]	Yes	Diesel	5-door	6-spd manual	150	26,212.50	5,242.50	31,455.00	865.00	32,320.00	32,090.00	28	TBA
	2.0 ltr TDI EVO SCR [‡]	Yes	Diesel	5-door	7-spd auto DSG	150	27,545.83	5,509.17	33,055.00	865.00	33,920.00	33,690.00	28	22E
R-LINE [‡]	1.5 ltr TSI EVO ^{††}	No	Petrol	5-door	6-spd manual	150	26,554.17	5,310.83	31,865.00	905.00	32,770.00	32,500.00	31	21E
	1.5 ltr TSI EVO ^{††}	No	Petrol	5-door	7-spd auto DSG	150	27,887.50	5,577.50	33,465.00	1,230.00	34,695.00	34,100.00	33	21E
	1.5 ltr TSI EVO [‡]	Yes	Petrol	5-door	6-spd manual	150	26,554.17	5,310.83	31,865.00	905.00	32,770.00	32,500.00	32	TBA
	1.5 ltr TSI EVO [‡]	Yes	Petrol	5-door	7-spd auto DSG	150	27,887.50	5,577.50	33,465.00	1,230.00	34,695.00	34,100.00	33	TBA
	2.0 ltr TDI EVO SCR ^{††}	No	Diesel	5-door	6-spd manual	150	28,545.83	5,709.17	34,255.00	1,230.00	35,485.00	34,890.00	33	21E
	2.0 ltr TDI EVO SCR ^{††}	No	Diesel	5-door	7-spd auto DSG	150	29,879.17	5,975.83	35,855.00	1,230.00	37,085.00	36,490.00	34	22E
	2.0 ltr TDI EVO SCR [‡]	Yes	Diesel	5-door	6-spd manual	150	28,545.83	5,709.17	34,255.00	905.00	35,160.00	34,890.00	29	TBA
	2.0 ltr TDI EVO SCR [‡]	Yes	Diesel	5-door	7-spd auto DSG	150	29,879.17	5,975.83	35,855.00	905.00	36,760.00	36,490.00	29	22E
	2.0 ltr TDI SCR ^{††}	No	Diesel	5-door	7-spd auto DSG	190	31,129.17	6,225.83	37,355.00	1,560.00	38,915.00	37,990.00	37	26E
2.0 ltr TDI SCR [‡]	Yes	Diesel	5-door	7-spd auto DSG	200	31,129.17	6,225.83	37,355.00	905.00	38,260.00	37,990.00	31	TBA	

1. Figures for the Volkswagen Passat range, including petrol, diesel and hybrid vehicles. Plug-in hybrid vehicles require mains electricity for charging. Figures for hybrid vehicles were obtained using a combination of battery power and fuel. Figures shown are for comparability purposes; only compare fuel consumption, CO₂ and electric range figures with other vehicles tested to the same technical procedures. These figures may not reflect real life driving results, which will depend upon a number of factors including the accessories fitted (post-registration), variations in weather, driving styles and vehicle load. Data correct at 10.12.2020. For more information, please see www.volkswagen.co.uk/need-help/wltp or consult your authorised Volkswagen retailer. 2. The recommended 'On the road' prices and any VED charges quoted reflect the VED charges which apply to vehicles registered after 1 April 2020. The price and charges you pay may differ from any prices or charges displayed or quoted before 1 April 2020. For full details of 'First year rate' VED (Vehicle Excise Duty), delivery to retailer, number plates and vehicle first registration fee included in the recommended 'On the road' retail price, [please click here](#). 3. P11D value = Total recommended retail price + delivery to retailer £509.17, + number plates £20, + VAT £105.83 (calculated by reference to total of delivery to retailer + number plates). P11D value is based on standard specification model with no factory-fitted options or other accessories. 4. The BIK charges quoted reflect the charges which apply to vehicles registered after 6 April 2020. These charges may differ from any charges displayed or quoted before 6 April 2020. The BIK % figure quoted includes the 4% diesel supplement, where applicable. Please consult your Volkswagen retailer for full details. 5. The ABI insurance group is the recommended insurance rating set by the Association of British Insurers. Please note that insurance group ratings are purely advisory. They are used by insurers (ABI members and Lloyd's syndicates) as one of the factors in calculating premiums. Insurers are not required to follow the advisory group ratings and they may depart from them if they so wish. ‡ These vehicles are WLTP (Worldwide Harmonised Light-Duty Vehicles Test Procedure) type approved vehicles. More information is available at www.volkswagen.co.uk/need-help/wltp. † Please note these models may no longer be available to order, or only be available from stock and not available to factory order. SCR (Selective Catalytic Reduction) requires AdBlue®, [please click here](#) or visit www.volkswagen.co.uk/technology/engines/adblue for more details. RDE2 refers to Real Driving Emissions Step 2

Prices, specifications, features, technical and other information (including fuel consumption, CO₂ emissions and range) are updated regularly and are subject to change without notice (this may include changes between order and delivery). There may be a delay in updates to our materials – always consult your authorised Volkswagen retailer for the latest information.

Volkswagen UK may change RRP's at any time (this includes where there are government changes in regulation and/or legislation).

There may be a delay to any RRP displaying correctly on our materials. Always obtain prices from your chosen authorised Volkswagen retailer.

VAT IS CALCULATED AT 20%. EFFECTIVE FROM 23 FEBRUARY 2021.

Model prices – Passat Estate.

PETROL/ELECTRIC HYBRID 5-DOOR ESTATE RANGE.		RDE2 Compliant	Fuel	Transmission	Combined output, PS	CO ₂ emission, g/km ¹ WLTP test cycle	Basic Recommended Retail £	VAT £	Total Recommended Retail £	Additional 'On the road' Costs £ ²	Manufacturer's Recommended 'On the road' Retail £ ²	P11D Value £ ³	BIK % ⁴	ABI Insurance Group ⁵	
GTE ‡	1.4 ltr TSI PHEV ^{††}	No	Hybrid	5-door	6-spd auto DSG	218	31	31,725.00	6,345.00	38,070.00	690.00	38,760.00	38,705.00	10	26E
	1.4 ltr TSI PHEV [‡]	Yes	Hybrid	5-door	6-spd auto DSG	218	27	31,725.00	6,345.00	38,070.00	690.00	38,760.00	38,705.00	10	TBA
GTE ADVANCE ‡	1.4 ltr TSI PHEV ^{††}	No	Hybrid	5-door	6-spd auto DSG	218	33	33,966.67	6,793.33	40,760.00	690.00	41,450.00	41,395.00	10	28E
	1.4 ltr TSI PHEV [‡]	Yes	Hybrid	5-door	6-spd auto DSG	218	29	33,966.67	6,793.33	40,760.00	690.00	41,450.00	41,395.00	10	TBA

1 Figures for the Volkswagen Passat range, including petrol, diesel and hybrid vehicles. Plug-in hybrid vehicles require mains electricity for charging. Figures for hybrid vehicles were obtained using a combination of battery power and fuel. Figures shown are for comparability purposes; only compare fuel consumption, CO₂ and electric range figures with other vehicles tested to the same technical procedures. These figures may not reflect real life driving results, which will depend upon a number of factors including the accessories fitted (post-registration), variations in weather, driving styles and vehicle load. Data correct at 10.12.2020. For more information, please see www.volkswagen.co.uk/need-help/wltp or consult your authorised Volkswagen retailer. 2 The recommended 'On the road' prices and any VED charges quoted reflect the VED charges which apply to vehicles registered after 1 April 2020. The price and charges you pay may differ from any prices or charges displayed or quoted before 1 April 2020. For full details of 'First year rate' VED (Vehicle Excise Duty), delivery to retailer, number plates and vehicle first registration fee included in the recommended 'On the road' retail price, [please click here](#). 3 P11D value = Total recommended retail price + delivery to retailer £509.17, + number plates £20, + VAT £105.83 (calculated by reference to total of delivery to retailer + number plates). P11D value is based on standard specification model with no factory-fitted options or other accessories. 4 The BIK charges quoted reflect the charges which apply to vehicles registered after 6 April 2020. These charges may differ from any charges displayed or quoted before 6 April 2020. The BIK % figure quoted includes the 4% diesel supplement, where applicable. Please consult your Volkswagen retailer for full details. 5 The ABI insurance group is the recommended insurance rating set by the Association of British Insurers. Please note that insurance group ratings are purely advisory. They are used by insurers (ABI members and Lloyd's syndicates) as one of the factors in calculating premiums.

‡ Insurers are not required to follow the advisory group ratings and they may depart from them if they so wish.
 ‡ These vehicles are WLTP (Worldwide Harmonised Light-Duty Vehicles Test Procedure) type approved vehicles. More information is available at www.volkswagen.co.uk/need-help/wltp.
 † Please note these models may no longer be available to order, or only be available from stock and not available to factory order.
 SCR (Selective Catalytic Reduction) requires AdBlue®, [please click here](#) or visit www.volkswagen.co.uk/technology/engines/adblue for more details.
 RDE2 refers to Real Driving Emissions Step 2.

Volkswagen Service Plan – Retail sales only.

For vehicles under 1 year old set to the Fixed Service regime that has not had its first service, comprising first two manufacturer's scheduled services:

- 'Oil service' including oil filter change
- 'Oil service' including oil filter change and 'Inspection service' plus a pollen filter replacement (if required)

Excludes electric vehicles. Service plan covers first two consecutive services, limited to 1x 'Oil service' and 1x 'Oil and Inspection service'. T&Cs apply: All vehicles must be set to the Fixed Service regime by the retailer. Maximum age of car is 12 months (Service plan must be taken out before first service is due). Additional work, including wear and tear is excluded. Servicing must be carried out in line with the requirement of the Service Schedule. All work must be carried out by an Authorised Volkswagen Repairer. Offers may be varied or withdrawn at any time. Plan validity is dependent on required payments received. Administered by Volkswagen Financial Services. Retail sales only. For pricing and further details, please consult your authorised Volkswagen retailer or visit www.volkswagen.co.uk

Prices, specifications, features, technical and other information (including fuel consumption, CO₂ emissions and range) are updated regularly and are subject to change without notice (this may include changes between order and delivery). There may be a delay in updates to our materials – always consult your authorised Volkswagen retailer for the latest information.

Volkswagen UK may change RRP's at any time (this includes where there are government changes in regulation and/or legislation).

There may be a delay to any RRP displaying correctly on our materials. Always obtain prices from your chosen authorised Volkswagen retailer.

VAT IS CALCULATED AT 20%. EFFECTIVE FROM 23 FEBRUARY 2021.

Standard items of equipment: SE Nav.

VOLKSWAGEN SERVICE

3-year/60,000 miles warranty (whichever is soonest)
 3-year paintwork warranty
 12-year body protection warranty
 Volkswagen Roadside Assistance
 Exclusions and terms apply, [please click here](#) for more details

WHEELS AND SUSPENSION

Alloy wheels, four 7J x 17" 'Istanbul' with 215/55 R17 low rolling resistance tyres and anti-theft wheel bolts
 Tyre mobility kit and compressor

EXTERIOR

All LED headlights range adjustable with reflector technology. Including 12 separate LED daytime running lights which also perform the indicator function
 Black radiator grille with chrome louvres
 Body-coloured bumpers
 Body-coloured door handles
 Body-coloured door mirrors with integrated indicators
 Chrome-plated side window surrounds
 Exterior temperature gauge and frost warning function
 Front fog lights with static cornering function and chrome trimmed surround
 Galvanised body
 'Gloss Black' B-pillar trim
 Rear lights incorporating LED technology
 Rear number plate lights incorporating LED technology
 Rear windscreen wash/wipe (Estate only)
 Roof rails, black (Estate only)
 Windscreen wipers with intermittent operation

INTERIOR

Carpet mats, front and rear
 'Cross Hatch' decorative inserts in dash, centre console and door panels
 Chrome-plated instrument and air vent surrounds
 Cup holders with covers, front x 2
 Extending luggage compartment cover, stowable (Estate only)
 Front centre armrest with storage compartment and two rear air vents
 Glovebox, cooled, illuminated and lockable
 Height and reach adjustable steering wheel
 Interior lighting: front and rear with interior delay and dimming function
 Leather trimmed three-spoke multifunction steering wheel and gear knob
 LED entrance/warning lights in front doors
 Load lashing points x 4, in luggage compartment
 Load sill protection - plastic (Estate only)
 Load-through provision
 Luggage compartment light
 Reading lights, front and rear x 2 incorporating LED technology
 Seating
 - Upholstery - 'Django' cloth
 - Driver's and front passenger's seat height adjustment
 - Front seats with lumbar adjustment
 - ergoComfort driver's seat with seat cushion tilt adjustment, thigh support and electric backrest adjustment
 Rear seat centre armrest with storage compartment
 Split folding rear seat backrests 60:40 (Saloon)
 Split folding rear seat backrest 40:20:40 (Estate)
 Storage compartment in driver's door for 1.0 litre bottle

INTERIOR (CONTINUED)

Storage compartment in roof console with cover
 Storage compartments in front passenger's door for 1.5 litre bottle
 Storage compartment in rear doors
 Vanity mirrors, illuminated
 Variable boot floor, height adjustable and removable (Estate only)
 White instrument lighting
 12V socket in front centre console
 12V socket in luggage compartment

IN-CAR ENTERTAINMENT AND COMMUNICATIONS

Aerial integrated into rear windscreen
 Discover Media Navigation infotainment system
 - 8" colour touch-screen with natural, intuitive, touch-sensitive functionality
 - Bluetooth telephone and audio connection for compatible devices¹
 - Branded points of interest
 - Car information display
 - DAB digital radio receiver
 - Dynamic guidance via We Connect Plus online traffic information
 - In-Car shop: Purchase additional services i.e. We Connect contract extensions or upgrade to navigation services after vehicle purchase
 - Integrated SIM-card
 - MDI (Multi Device Interface), via USB-C connection - compatible products only
 - Preloaded European navigation data
 - Simultaneous pairing of 2 compatible mobile devices
 - SMS functionality - read, compose and send SMS messages using touch-screen display (when stationary, compatible Android smartphones only)
 - Speed Limit Display²
 - Three route options (Fast, Short, Eco)
 - Title and cover art display

IN-CAR ENTERTAINMENT AND COMMUNICATIONS (CONTINUED)

- 1 x USB-C connection, USB charging socket (compatible products only)
 - 4 x 20 watt output
 - 6 speakers, front and rear
 - 2D/3D map view
 Premium USB-C cable (choice of either Apple or Android smartphone compatibility)
 'App-Connect'³
 - Combines the functionality of Apple 'CarPlay', Google 'Android Auto' and 'MirrorLink'TM allowing 'mirroring' of smartphone display on the infotainment touch-screen
 - Wireless connection for Apple 'CarPlay'
 - USB-C connection for Google 'Android Auto' and 'MirrorLink'TM

WE CONNECT PLUS[®]

We Connect Plus preparation^{4,5}
 - Driver and vehicle integration via We Connect Portal or We Connect app
 - Driver and vehicle integration with Volkswagen call centre or server for: 'eCall'- Emergency call service for SOS calls to emergency response
 - Provides continuous interaction between the driver, vehicle and Volkswagen, via integrated SIM-card connectivity
 - Navigation based services for: Online voice control, Online traffic information, Online route calculations and Online destination import. Petrol station, Charging point and Parking locations. Online map updates
 - Streaming and internet based services⁶ for: Internet radio, Wi-Fi hotspot and Media streaming⁴
 - Vehicle based services for: Car breakdown call, Vehicle status, Doors and lights, Automatic accident notification, Vehicle health report, Driving data, Parking position, Service schedule, Area alert, Speed alert, Horn and indicators, Online anti-theft alarm, Lock & unlock⁷



1 Devices must be Bluetooth HFP (Hands Free Profile) compatible, please contact your authorised Volkswagen retailer for specific phone compatibility.
 2 Speed Limit Display only reflects national speed limits and does not show temporary speed limit restrictions, or where permanent changes to speed limits are made in-between map updates.
 3 Only operable in conjunction with compatible tablets and smartphones including iPhone 5 and above. Please see www.volkswagen.co.uk to check compatibility.
 4 To use the free We Connect app you will need a smartphone with iOS or Android operating system and a SIM-card with a data option. Depending on your mobile tariff, sending and receiving data online may incur additional charges (e.g. roaming charges), particularly if you are using We Connect abroad. For more information on We Connect services, go to www.portal.volkswagen-we.com or contact your Volkswagen retailer.
 5 We Connect Plus services are accessed via a compatible mobile device. Please see www.portal.volkswagen-we.com for more information. The use of We Connect Plus entails exchanging large volumes of data. As such, we strongly recommend that you sign-up for a flat rate data plan with your mobile network provider. Information on the duration of We Connect Plus services can be obtained once a user account has been registered on the We Connect web portal.
 6 For the use of the Streaming and Internet based services and for the Wi-Fi hotspot, data packages can be purchased from Cubic Telecom, our mobile communications partner and used in the network coverage area within many European countries. You can find information on prices and supported countries at www.vw.cubictelecom.com
 7 Lock & unlock service is a secure service and requires that your identity be verified via the Volkswagen Ident process. Your identity will be verified by a Volkswagen retailer or via video chat.

The specifications listed are for information purposes only as our products are continually updated and changes may be made to the specifications at any time. If you require any specific feature, please consult your authorised Volkswagen retailer who is regularly updated with any change in specification. Specifications are subject to change without notice.

Standard items of equipment: SE Nav (continued).

SAFETY AND SECURITY

- ABS (Anti-lock Braking System) – includes BAS (Brake Assist System) and EBD (Electronic Brake-pressure Distribution)
- Airbags
 - Curtain airbag system, for front and rear passengers, including front side impact airbag
 - Driver's and front passenger's airbags with front passenger's airbag deactivation switch
 - Driver's knee airbag
 - Rear seat side impact airbags, outer
- Alarm with interior protection, with deactivation via infotainment system
- Automatic leaving home and manual coming home lighting functions
- Automatic Post-Collision Braking System
- Disc brakes, front and rear
- Driver's and front passenger's safety-optimised head restraints, longitudinal and height adjustable
- Electronic engine immobiliser
- ESC (Electronic Stability Control) – includes EDL (Electronic Differential Lock) and ASR (Traction Control), EDTC (Engine Drag Torque Control) and trailer stabilisation function
- First aid kit
- Front head restraints with longitudinal and height adjustment
- Height-adjustable front three-point seat belts with tensioners
- High level 3rd brake light
- Isofix child seat preparation, outer rear seats
- Misfuel prevention device
- PreCrash preventive occupant protection
- Proactive occupant protection – using sensors from the Front Assist monitoring system to detect critical situations with elevated accident potential from the front
- Remote central locking with 2 remote keys
- Rigid safety cell with front and rear crumple zones
- Tyre pressure loss indicator

SAFETY AND SECURITY (CONTINUED)

- Warning buzzer and light for front seat belts if unfastened
- Warning light for rear seat belts if unfastened
- Warning lights for open boot lid or tailgate and doors
- Warning reflector in all doors
- 3 rear head restraints, height adjustable
- 3 rear three-point seat belts

COMFORT AND CONVENIENCE

- Air conditioning, manual
- Automatic dimming interior rear-view mirror
- Automatic headlights on
- Electric windows, front and rear
- Electrically heated and adjustable door mirrors
- Heated rear window
- One-touch indicator turn signal
- Rain sensor

DRIVER'S ASSISTANCE

- Adaptive Cruise Control (ACC), including Front Assist, radar sensor controlled distance monitoring system, City emergency braking system, cruise control and speed limiter
- Battery regeneration (recuperation – energy recovery during braking)
- Driver Alert system
- Driver profile selection, personalisation:
 - Wing mirrors
 - Map and route settings
 - Radio stations
 - Air conditioning
 - Central locking and windows
 - Interior lighting
- Dusk sensor, automatic driving lights
- Hill hold function
- Electronic parking brake – with auto hold function

DRIVER'S ASSISTANCE (CONTINUED)

- Multifunction computer with colour display, includes visual gear change recommendation for improved fuel consumption (not GTE Advance)
- Lane Assist
- Parking sensors, front and rear – ultrasonic, audible with audio volume reduction when activated and optical parking display via vehicle's infotainment system
- Power-assisted steering, speed-sensitive
- Remote boot or tailgate unlocking
- Speedo and rev counter, electronic odometer, trip, service interval display and fuel gauge
- Start/Stop function
- Traffic Jam Assist
- Warning light for low washer fluid



Additional items of standard equipment: SEL (over SE Nav).

WHEELS AND SUSPENSION

Alloy wheels, four 7J x 17" 'Nevilles' Black with 215/55 R17 low rolling resistance tyres and anti-theft wheel bolts

EXTERIOR

Rear tinted glass from B-pillar backwards, approx. 65% tinted
Roof rails, silver anodised (Estate only)

INTERIOR

Leather trimmed three-spoke multifunction steering wheel and gear knob including paddle shift (auto DSG only)

Seating

- Heated front seats
- Upholstery - 'Vienna' leather¹

IN-CAR ENTERTAINMENT AND COMMUNICATIONS

Voice activation

COMFORT AND CONVENIENCE

Remote electrically heated, adjustable and foldable door mirrors, including automatic dimming function on driver's side, door mirror puddle lights and reverse activated kerb-view adjustment on passenger's side



Model shown is Passat SEL with optional 'IQ. Light' LED matrix headlights, 17" 'London' alloy wheels, panoramic sunroof and metallic paint.



¹ Some parts of leather interior will contain artificial leather.

The specifications listed are for information purposes only as our products are continually updated and changes may be made to the specifications at any time. If you require any specific feature, please consult your authorised Volkswagen retailer who is regularly updated with any change in specification. Specifications are subject to change without notice.

Additional items of standard equipment: R-Line (over SEL).

WHEELS AND SUSPENSION

Alloy wheels, four 8J x 18" 'Monterrey' Grey Metallic with 235/45 R18 low rolling resistance tyres and anti-theft wheel bolts

Sports suspension, lowered

EXTERIOR

'R-Line' styling pack - 'R-Line' design front and rear bumpers, radiator grille, side skirts and rear spoiler¹

INTERIOR

Ambient lighting

Black rooflining

'Dark Diamond Flag' decorative inserts in dash and door panels

Leather trimmed three-spoke multifunction steering wheel with aluminium inserts and 'R-Line' logo

Seating

- Upholstery - 'Nappa' leather² and 'Carbon Optic' side bolsters

- Front seats with embroidered 'R-Line' logo on backrest

Stainless steel pedals - clutch, brake and accelerator (brake and accelerator pedals only on auto DSG models)

Unique 'R-Line' carpet mats, front and rear

Unique 'R-Line' decorative inserts for dash and door panels

Unique 'R-Line' door sill protectors

COMFORT AND CONVENIENCE

Climate control - 3Zone electronic air conditioning with automatic air recirculation

'Easy open' full electric tailgate opening and closing function, operated via foot movement under rear or from driver's door

Heated windscreen washer jets

Keyless entry, including Start/Stop button



Model shown is Passat R-Line with optional 'IQ. Light' LED matrix headlights, 19" 'Pretoria' Dark Graphite alloy wheels and metallic signature paint.



¹ Estate only.

² Some parts of leather interior will contain artificial leather.

The specifications listed are for information purposes only as our products are continually updated and changes may be made to the specifications at any time. If you require any specific feature, please consult your authorised Volkswagen retailer who is regularly updated with any change in specification. Specifications are subject to change without notice.

Additional items of standard equipment: GTE (over SEL).

EXTERIOR

- 'Blue' brake callipers
- Charging point inlet on radiator grille
- Trapezoid exhaust tailpipes, left and right
- Unique 'C' signature GTE front LED daytime running lights in bumper (in lieu of front fog lights)
- Unique 'GTE' badging
- Unique 'GTE' radiator grille with blue strip



INTERIOR

- Blue ambient lighting
- Leather trimmed gear knob gaiter with blue contrast stitching
- Unique 'GTE' instrument cluster

COMFORT AND CONVENIENCE

- Climate control – 3Zone electronic air conditioning with automatic air recirculation

ELECTRIC

- Two 6 metre charging cables – 16amp AC cable for wallbox/chargepoints (mode 3) and 10amp mains charge cable (mode 2)
- Socket AC type 2

DRIVER'S ASSISTANCE

- Driver profile selection
 - e-mode
 - Hybrid mode
 - Battery charge mode
 - Battery hold mode
 - 'GTE' mode
- 'e-sound', exterior sound generator when driving in e-mode



Model shown is Passat Estate GTE with optional 'IQ. Light' LED matrix headlights and 18" 'Liverpool' alloy wheels.

The specifications listed are for information purposes only as our products are continually updated and changes may be made to the specifications at any time. If you require any specific feature, please consult your authorised Volkswagen retailer who is regularly updated with any change in specification. Specifications are subject to change without notice.

Additional items of standard equipment: GTE Advance (over GTE).



IN-CAR ENTERTAINMENT AND COMMUNICATIONS

- Discover Navigation Pro infotainment system (in addition to Discover Media Navigation infotainment system)
 - 'Gesture control'
 - Voice activated control system for telephone and navigation functions
 - 3D map view

COMFORT AND CONVENIENCE

- 'Easy open' full electric tailgate opening and closing function, operated via foot movement under rear or from driver's door
- Keyless entry, including Start/Stop button

DRIVER'S ASSISTANCE

- Active Info Display
 - 10.25" high resolution TFT dash display screen with customisable menus and information (in lieu of multifunction colour computer)

WHEELS AND SUSPENSION

Alloy wheels, four 8J x 18" 'Monterrey' Grey Metallic with 235/45 R18 low rolling resistance tyres and anti-theft wheel bolts

EXTERIOR

- 'IQ. Light' LED matrix headlights
 - All LED interactive matrix dipped and main beam headlights, daytime running lights, Including dual 'U-shaped' LED daytime running lights
 - 12 separate LED lights which perform the indicator function and Dynamic curve lighting
 - Information from the front camera, navigation's digital map data, GPS information, steering wheel angle and current driving speed activates specific LEDs individually for optimal lighting
 - Includes specific lighting functions for: city lighting, motorway lighting, motorway dipped beam, poor weather light and sign glare reduction



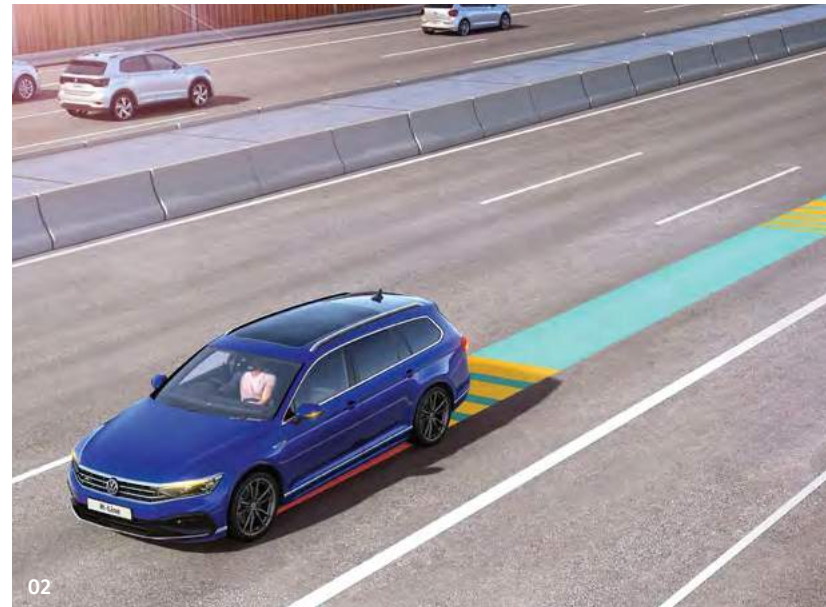
The specifications listed are for information purposes only as our products are continually updated and changes may be made to the specifications at any time. If you require any specific feature, please consult your authorised Volkswagen retailer who is regularly updated with any change in specification. Specifications are subject to change without notice.

Driver's assistance systems.

Good assistants are usually hard to find. It's different in the Passat. Here you will find numerous intelligent driver assistance systems which are grouped at Volkswagen under the name IQ.Drive. IQ.Drive stands for all assistance systems that already exist today and that we are developing for tomorrow and the future. In the Passat you can benefit from innovative features such as 'Traffic Jam Assist', 'Emergency Assist' and many more.



01 Whether on business or leisure travel, if you travel frequently, the Traffic Jam Assist system offers you assistance from motorways to city congestion traffic. **Traffic Jam Assist** can take into account the distance to the traffic ahead and adjust the speed accordingly. In conjunction with the DSG dual clutch transmission, you can even drive relaxed through traffic jams and stop-and-go traffic. It detects if traffic is stopping and slows your vehicle to a standstill if necessary. Once the car in front pulls away, the system recognises this and sets the vehicle in motion. Standard on all models in conjunction with the DSG gearbox.



02 Emergency Assist can help even further should a driver medical emergency situation arise. In conjunction with the DSG gearbox, the system recognises an incapacity of the driver and slows the car down in its lane to a standstill if necessary. As soon as the system cannot detect any steering, braking or acceleration activity, it alerts the driver. If the driver remains inactive, it automatically activates the hazard warning lights to alert other road users. Standard on all models in conjunction with the DSG gearbox.



03 Adaptive Cruise Control (ACC) is a radar sensor controlled distance monitoring system that utilises a front mounted camera to set a distance to the vehicle in front and maintain it up to a predetermined set speed by automatically accelerating and braking as necessary. The system adds speed and cornering assistance by using information from the vehicle's navigation system if fitted. Standard on all models.

Models shown are Passat Estate R-Line with optional 19" 'Pretoria' Dark Graphite alloy wheels, panoramic sunroof and metallic signature paint. Image 02 is Passat Estate R-Line with optional 'IQ. Light' LED matrix headlights, 19" 'Pretoria' Dark Graphite alloy wheels, panoramic sunroof and metallic signature paint.

Please note: The intelligent technology of Adaptive Cruise Control (ACC) with predictive cruise control cannot overcome the laws of physics and functions only within the limits of the system. It is the driver's responsibility to have full concentration and control of the vehicle, as well as ensuring appropriate speeds by observing the maximum speed limits and road positioning of the car at all times.

Infotainment and connectivity.

The design of the Passat is not only ground-breaking, but in the technologically advanced cockpit you will also find the very latest in digital communication and navigation systems, keeping you connected and informed. It also includes voice control for the Discover Navigation Pro which lets you conveniently choose your favourite music and plan your route while keeping your eyes on the road.



01 The optional **Head-up Display**¹ presents driving information directly in your field of vision. Speed, traffic signs and information about the assistance systems, as well as warnings and navigation data are projected on to the high-quality retractable screen transparently displayed in front of the windscreen, enabling you to read everything clearly while keeping your focus on the road ahead. Optional on SEL, R-Line, GTE and GTE Advance models.

¹ Please note, use of polarised lenses may impair the visibility of the Head-up Display.

01 The Discover Media Navigation infotainment system with We Connect Plus preparation^{1,2} has impressive features which enable you to easily manage not only your music, but also navigation data and a broad range of vehicle information. The system offers preloaded European navigation data, 2D/3D map view which can be easily followed on the 8.0 inch colour touch-screen, three calculated route choices (Fast, Short and Eco) and dynamic guidance via We Connect Plus online traffic information. The system also offers branded points of interest and Speed Limit Display³. We Connect Plus preparation provides streaming and internet based services⁴ for Internet radio, Wi-Fi hotspot and Media streaming with navigation based services for Online voice control, Online traffic information, Online route calculations and Online destination import. It also includes vehicle based services for Area alert, Speed alert, Horn and indicators, Online anti-theft alarm and Lock & unlock⁵. The infotainment system also includes a DAB digital radio receiver, MDI (Multi Device Interface) via USB-C connection – compatible products only and title and cover art display. Connection for Bluetooth telephone and audio compatible devices⁶ are available, along with simultaneous pairing of two compatible mobile devices and SMS functionality – allowing you to read, compose and send SMS messages using the touch-screen display when the vehicle is stationary (compatible Android smartphones only). Standard on SE Nav, SEL, R-Line and GTE models.

02 The Discover Navigation Pro infotainment system and Active Info Display builds upon the impressive Discover Media Navigation infotainment system, but with additional features such as integrated voice activation, which responds to spoken voice commands for navigation and telephone functions, and 'Gesture Control' for use with various different menus, responds to a sideways swiping gesture and confirms a successful swipe with a sound effect, which can be deactivated if required. The **Active Info Display**⁷ provides a system that can be tailored to suit your exact preferences. The fully configurable, interactive 10.25 inch TFT display replaces the standard analogue instrument cluster, displaying vehicle data and information on your dashboard. Five different modes allow you to customise the screen, with large or small dials as you prefer and a number of items displayed behind. When used in navigation mode you can move the speedometer and rev counter to the edge of the display, creating more space for the navigational map. If you wish, you are able to include driving, navigation and assistance functions within the graphics of the speedometer. As the Active Info Display is linked to all other assistance systems in the vehicle, any data shown in the centre console of the infotainment system, such as phone numbers or your music's compatible cover art, can also be displayed on the dash conveniently placed directly within the driver's optimum field of vision. Standard on GTE Advance and optional on SEL, R-Line and GTE models.



01



02



02

- 1 To use the free We Connect app you will need a smartphone with iOS or Android operating system and a SIM-card with a data option. Depending on your mobile tariff, sending and receiving data online may incur additional charges (e.g. roaming charges), particularly if you are using We Connect abroad. For more information on We Connect services, go to www.portal.volkswagen-we.com or contact your Volkswagen retailer.
- 2 We Connect Plus services are accessed via a compatible mobile device. Please see www.portal.volkswagen-we.com for more information. The use of We Connect Plus entails exchanging large volumes of data. As such, we strongly recommend that you sign-up for a flat rate data plan with your mobile network provider. Information on the duration of We Connect Plus services can be obtained once a user account has been registered on the We Connect web portal.
- 3 Speed Limit Display only reflects national speed limits and does not show temporary speed limit restrictions, or where permanent changes to speed limits are made in-between map updates.
- 4 For the use of the Streaming and Internet based services and for the Wi-Fi hotspot, data packages can be purchased from Cubic Telecom, our mobile communications partner and used in the network coverage area within many European countries. You can find information on prices and supported countries at www.vw.cubictelecom.com
- 5 Lock & unlock service is a secure service and requires that your identity be verified via the Volkswagen Ident process. Your identity will be verified by a Volkswagen retailer or via video chat.
- 6 Devices must be Bluetooth HFP (Hands Free Profile) compatible, please contact your authorised Volkswagen retailer for specific phone compatibility.
- 7 In lieu of multifunction colour computer.

Factory-fitted options.

WHEELS AND SUSPENSION

		SE Nav	SEL	R-Line	GTE	GTE Advance	Basic RRP £ Excluding VAT	Total RRP £ Including VAT
17" 'London' ¹	Four 7J x 17" 'London' with 215/55 R17 low rolling resistance tyres and anti-theft wheel bolts	○	○	-	-	-	208.33	250.00
17" 'Soho' Anthracite ¹	Four 7J x 17" 'Soho' Anthracite with 215/55 R17 low rolling resistance tyres and anti-theft wheel bolts	○	○	-	-	-	208.33	250.00
17" 'Sebring'	Four 7J x 17" 'Sebring' with 215/55 R17 low rolling resistance tyres and anti-theft wheel bolts	○	○	-	-	-	208.33	250.00
18" 'Oxford' Grey Metallic	Four 8J x 18" 'Oxford' Grey Metallic with 235/45 R18 low rolling resistance tyres and anti-theft wheel bolts	○	○	-	-	-	500.00	600.00
18" 'Oxford'	Four 8J x 18" 'Oxford' with 235/45 R18 low rolling resistance tyres and anti-theft wheel bolts	○	○	-	○	-	500.00	600.00
	Four 8J x 18" 'Oxford' with 235/45 R18 low rolling resistance tyres and anti-theft wheel bolts	-	-	-	-	○	208.33	250.00
18" 'Liverpool'	Four 8J x 18" 'Liverpool' with 235/45 R18 low rolling resistance tyres and anti-theft wheel bolts	○	○	-	○	-	500.00	600.00
	Four 8J x 18" 'Liverpool' with 235/45 R18 low rolling resistance tyres and anti-theft wheel bolts	-	-	-	-	○	208.33	250.00
18" 'Wolverton' Black diamond-turned	Four 8J x 18" 'Wolverton' black diamond-turned with 235/45 R18 tyres and anti-theft wheel bolts	-	-	○	-	○	208.33	250.00
19" 'Verona' Sterling Silver ¹	Four 8J x 19" 'Verona' Sterling Silver with 235/40 R19 tyres and anti-theft wheel bolts	-	-	○	-	-	500.00	600.00
19" 'Pretoria' Dark Graphite ¹	Four 8J x 19" 'Pretoria' Dark Graphite with 235/40 R19 tyres and anti-theft wheel bolts	-	-	○	-	-	829.17	995.00
Dynamic Chassis Control (DCC)	Variable suspension settings. Choice of four settings: Sport, Comfort, Individual and Normal. <i>Not in conjunction with sports suspension</i>	○	○	○	○	○	766.67	920.00
Steel space saver spare wheel	Steel space saver spare wheel, including tool kit and jack. <i>In lieu of tyre mobility kit and compressor</i>	○	○	○	-	-	83.33	100.00
Sports suspension	Lowered by approx. 15mm. <i>Not in conjunction with Dynamic Chassis Control (DCC)</i>	○	○	●	-	-	216.67	260.00

1 Not in conjunction with steel space saver spare wheel.

Choosing larger alloy wheels than standard, as an option, may result in increased fuel consumption as well as higher CO₂ emissions and subsequently increased Vehicle Excise Duty (VED) band, and BIK rates paid by company car drivers may increase. This is due to the fact that larger wheels have both more aerodynamic drag and more mechanical drag, resulting in increased rolling resistance and increased wind resistance. As a result, the VED band that the vehicle falls into may increase from its original VED band when fitted with standard size wheels. In some instances, the recommended 'On the road' retail price paid for the vehicle may increase as a result of the increased VED rate. Please refer to [CO₂ emissions, BIK % and VED Bands with optional wheels section](#).

● Standard equipment ○ Optional equipment - Not available. Factory-fitted options are subject to availability and extended delivery.

Volkswagen UK may change RRP's at any time (this includes where there are government changes in regulation and/or legislation). There may be a delay to any RRP displaying correctly on our materials. Always obtain prices from your chosen authorised Volkswagen retailer.

VAT IS CALCULATED AT 20%. EFFECTIVE FROM 23 FEBRUARY 2021.

Factory-fitted options.

PAINT

		SE Nav	SEL	R-Line	GTE	GTE Advance	Basic RRP £ Excluding VAT	Total RRP £ Including VAT
Non-Metallic	Urano Grey	<input type="radio"/>	<input type="radio"/>	<input type="radio"/>	<input type="radio"/>	<input type="radio"/>	No cost option	
	Pure White, Tornado Red	<input type="radio"/>	<input type="radio"/>	<input type="radio"/>	<input type="radio"/>	<input type="radio"/>	325.00	390.00
Metallic and Pearl Effect	Manganese Grey, Deep Black	<input type="radio"/>	<input type="radio"/>	<input type="radio"/>	<input type="radio"/>	<input type="radio"/>	533.33	640.00
Metallic Signature	Lapiz Blue	-	-	<input type="radio"/>	-	-	641.67	770.00
Ultra Metallic	Aquamarine Blue	<input type="radio"/>	<input type="radio"/>	<input type="radio"/>	-	-	641.67	770.00

Please refer to [Paint and Combinations section](#), or visit www.volkswagen.co.uk for full availability of paint colours.

EXTERIOR

'IQ. Light' LED matrix headlights	All LED interactive matrix dipped and main beam headlights, daytime running lights, Including dual 'U-shaped' LED daytime running lights. 12 separate LED lights which perform the indicator function and Dynamic curve lighting. Information from the front camera, navigation's digital map data, GPS information, steering wheel angle and current driving speed activates specific LEDs individually for optimal lighting. Includes specific lighting functions for: city lighting, motorway lighting, motorway dipped beam, poor weather light and sign glare reduction	<input type="radio"/>	<input type="radio"/>	<input type="radio"/>	<input type="radio"/>	<input checked="" type="radio"/>	1,416.67	1,700.00
Rear tinted glass	Rear tinted glass from B-pillar backwards, approx. 65% tinted	<input type="radio"/>	<input checked="" type="radio"/>	<input checked="" type="radio"/>	<input checked="" type="radio"/>	<input checked="" type="radio"/>	200.00	240.00
Towbar – swivelling	Swivelling towbar with electric release. 13-pin connection and 12 electrified poles for vehicle lighting plus additional power supply for caravan auxiliary battery charger, internal trailer lighting and fridge	<input type="radio"/>	<input type="radio"/>	<input type="radio"/>	<input type="radio"/>	<input type="radio"/>	791.67	950.00

INTERIOR

Black rooflining	Only in conjunction with Titan Black cloth or Titan Black 'Vienna' leather	<input type="radio"/>	<input type="radio"/>	<input checked="" type="radio"/>	<input type="radio"/>	<input type="radio"/>	204.17	245.00
Luggage net		<input type="radio"/>	<input type="radio"/>	<input type="radio"/>	<input type="radio"/>	<input type="radio"/>	58.33	70.00
Steering wheel – heated, multifunction, leather trimmed	Heated multifunction steering wheel. Only in conjunction with manual gearbox	<input type="radio"/>	<input type="radio"/>	<input type="radio"/>	-	-	187.50	225.00
	Including paddle shift for DSG gearbox. Only in conjunction with DSG gearbox	<input type="radio"/>	<input type="radio"/>	<input type="radio"/>	-	-	187.50	225.00

1 Must be ordered in conjunction with Climate control 3Zone electronic air conditioning. 2 Some parts of leather interior will contain artificial leather.

● Standard equipment ○ Optional equipment - Not available. Factory-fitted options are subject to availability and extended delivery.

Volkswagen UK may change RRP's at any time (this includes where there are government changes in regulation and/or legislation). There may be a delay to any RRP displaying correctly on our materials. Always obtain prices from your chosen authorised Volkswagen retailer.

VAT IS CALCULATED AT 20%. EFFECTIVE FROM 23 FEBRUARY 2021.

Factory-fitted options.

INTERIOR (CONTINUED)

		SE Nav	SEL	R-Line	GTE	GTE Advance	Basic RRP £ Excluding VAT	Total RRP £ Including VAT
Upholstery – ‘Vienna’ leather ²	Including heated front seats and heated windscreen washer jets	<input type="radio"/>	<input checked="" type="radio"/>	-	<input checked="" type="radio"/>	<input checked="" type="radio"/>	1,625.00	1,950.00
ergoComfort driver's seat with 14-way electric adjustment with driver's seat massage and memory function	Drivers' seat with electric adjustment for the seat backrest angle, seat height, seat length, seat cushion angle and lumbar adjustment. Including seat cushion depth adjustment and massage, memory and comfort entry/exit functions	<input type="radio"/>	<input type="radio"/>	<input type="radio"/>	-	-	833.33	1,000.00

1 Must be ordered in conjunction with Climate control 3Zone electronic air conditioning. 2 Some parts of leather interior will contain artificial leather.

IN-CAR ENTERTAINMENT AND COMMUNICATIONS

Discover Navigation Pro touch-screen navigation infotainment system with integrated voice activation, ‘Gesture Control’ and We Connect Plus preparation¹

Voice activated control system – responds to spoken voice commands for navigation and telephone functions. Preloaded European navigation data, 3D map view, three calculated routes (Fast, Short, Eco), dynamic guidance via We Connect Plus online traffic information, SMS functionality (when stationary, compatible Android smartphones only), branded points of interest and Speed Limit Display².

We Connect Plus preparation providing online access to: Vehicle based services for Area alert, Speed alert, Horn and indicators, Online anti-theft alarm, Lock & unlock³. Navigation based services for: Online voice control, Online traffic information, Online route calculations and Online destination import. Petrol station, Charging point and Parking locations. Online map updates. Streaming and internet based services for Internet radio⁴, Wi-Fi hotspot⁴, Media streaming⁴. *Includes online navigation software updates, enabling you to download the latest map data. Please contact your authorised Volkswagen retailer for full details*

Active Info Display – 10.25" high resolution TFT dash display screen with customisable menus and information. *Not in conjunction with multifunction computer with colour display*

Harman/Kardon premium sound system

Including 16 channel digital amplifier, 700 watt output and 11 speakers plus subwoofer

-	<input type="radio"/>	<input type="radio"/>	<input type="radio"/>	<input checked="" type="radio"/>	1,833.33	2,200.00
<input type="radio"/> ⁵	<input type="radio"/> ⁵	<input type="radio"/>	-	-	1,000.00	1,200.00

1 We Connect Plus services are accessed via a compatible mobile device. Please see www.volkswagen.co.uk for more information. The use of We Connect Plus services entails exchanging large volumes of data. As such, we strongly recommend that you sign-up for a flat rate data plan with your mobile network provider. Information on the duration of We Connect Plus services can be obtained once a user account has been registered on the We Connect web portal. 2 Speed Limit Display only reflects national speed limits and does not show temporary speed limit restrictions, or where permanent changes to speed limits are made in-between map updates. 3 Lock & unlock service is a secure service and requires that your identity be verified via the Volkswagen Ident process. Your identity will be verified by a Volkswagen retailer or via video chat. 4 For the use of the Streaming and Internet based services and for the Wi-Fi hotspot, data packages can be purchased from Cubic Telecom, our mobile communications partner and used in the network coverage area within many European countries. You can find information on prices and supported countries at vw.cubictelecom.com 5 Must be ordered in conjunction ambient lighting pack – coloured.

● Standard equipment ○ Optional equipment - Not available. Factory-fitted options are subject to availability and extended delivery.

Volkswagen UK may change RRP's at any time (this includes where there are government changes in regulation and/or legislation). There may be a delay to any RRP displaying correctly on our materials. Always obtain prices from your chosen authorised Volkswagen retailer.

VAT IS CALCULATED AT 20%. EFFECTIVE FROM 23 FEBRUARY 2021.

Factory-fitted options.

COMFORT AND CONVENIENCE

		SE Nav	SEL	R-Line	GTE	GTE Advance	Basic RRP £ Excluding VAT	Total RRP £ Including VAT
Ambient lighting	Warning LED lights in front and rear doors	<input type="radio"/>	<input type="radio"/>	<input checked="" type="radio"/>	<input checked="" type="radio"/>	<input checked="" type="radio"/>	170.83	205.00
Ambient lighting Plus	LED strips in the front and rear doors, LED footwell and dashboard lighting with a choice of colour options, including two front reading lights and two rear reading lights	<input type="radio"/>	<input type="radio"/>	-	-	-	391.67	470.00
	LED strips in the front and rear doors, LED footwell and dashboard lighting with a choice of colour options, including two front reading lights and two rear reading lights	-	-	<input type="radio"/>	<input type="radio"/>	<input type="radio"/>	220.83	265.00
Climate control	3Zone electronic air conditioning with automatic air recirculation	<input type="radio"/>	<input type="radio"/>	<input checked="" type="radio"/>	<input checked="" type="radio"/>	<input checked="" type="radio"/>	550.00	660.00
Digital Key	<i>Please contact your authorised Volkswagen retailer for specific phone compatibility</i>	<input type="radio"/>	<input type="radio"/>	<input type="radio"/>	<input type="radio"/>	<input type="radio"/>	179.17	215.00
Keyless entry and start/stop system	Allows the car to be locked, unlocked and started with a button if the sensor detects the key. Includes Start/Stop button on centre console	<input type="radio"/>	<input type="radio"/>	<input checked="" type="radio"/>	<input type="radio"/>	<input checked="" type="radio"/>	358.33	430.00
'Easy open' full electric tailgate/boot including Keyless entry and start/stop system¹	Electrically-operated tailgate opening and closing function, operated via foot movement under rear tailgate or from driver's door. Time delayed push button electrically closing tailgate. Electric luggage compartment lid (Estate only). Includes Keyless entry and start/stop system	<input type="radio"/>	<input type="radio"/>	<input checked="" type="radio"/>	<input type="radio"/>	<input checked="" type="radio"/>	500.00	600.00
Panoramic sunroof	Electric, glass sliding/tilting including integrated roller blind	<input type="radio"/>	<input type="radio"/>	<input type="radio"/>	<input type="radio"/>	<input type="radio"/>	833.33	1,000.00
Rubber boot mat		<input type="radio"/>	<input type="radio"/>	<input type="radio"/>	<input type="radio"/>	<input type="radio"/>	41.67	50.00

1 Not in conjunction with Keyless entry and start/stop system.

DRIVER'S ASSISTANCE

Area view	Front, rear and side cameras to provide 360° exterior view of vehicle displayed via vehicle's infotainment system. <i>Not in conjunction with rear-view camera</i>	<input type="radio"/>	<input type="radio"/>	<input type="radio"/>	<input type="radio"/>	<input type="radio"/>	695.83	835.00
Head-up Display¹	Driving information including current speed is projected onto a retractable screen within the driver's field of vision helping to reduce the time that the driver's eyes are averted from the road	-	<input checked="" type="radio"/> ²	<input type="radio"/>	<input type="radio"/>	<input type="radio"/>	450.00	540.00
Park Assist	Sensor controlled steering aid to assist parallel or bay parking. Features manoeuvre braking function and optical parking display via vehicle's infotainment system. <i>Not in conjunction with Trailer Assist including Park Assist</i>	<input type="radio"/>	<input type="radio"/>	<input type="radio"/>	<input type="radio"/>	<input type="radio"/>	179.17	215.00
Rear-view camera	Displayed via the vehicle's infotainment system display. <i>Not in conjunction with Area View</i>	<input type="radio"/>	<input type="radio"/>	<input type="radio"/>	<input type="radio"/>	<input type="radio"/>	287.50	345.00
Trailer Assist including Park Assist^{3,4}	Controls reverse guidance of vehicle and trailer. Optical display visualises actual and possible steering angles in the instrument cluster with reverse steering direction controlled via joystick (mirror adjustment switch) and Park Assist	<input type="radio"/>	<input type="radio"/>	<input type="radio"/>	<input type="radio"/>	<input type="radio"/>	429.17	515.00
XDS electronic differential lock	Electronic system to improve traction and handling	<input type="radio"/>	<input type="radio"/>	<input type="radio"/>	<input type="radio"/>	<input type="radio"/>	170.83	205.00

1 Please note, use of polarised lenses may impair the visibility of the Head-up Display. 2 Must be ordered in conjunction with Climate control 3Zone electronic air conditioning. 3 Must be ordered in conjunction with towbar – swivelling.

4 Must be ordered in conjunction with Area view or Rear-view camera.

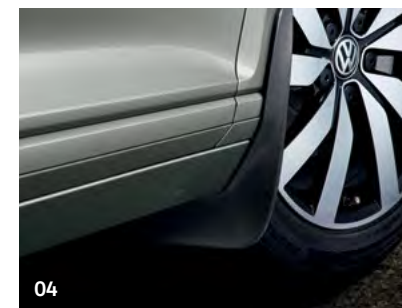
● Standard equipment ○ Optional equipment - Not available. Factory-fitted options are subject to availability and extended delivery.

Volkswagen UK may change RRP's at any time (this includes where there are government changes in regulation and/or legislation). There may be a delay to any RRP displaying correctly on our materials. Always obtain prices from your chosen authorised Volkswagen retailer.

VAT IS CALCULATED AT 20%. EFFECTIVE FROM 23 FEBRUARY 2021.

Accessories.

Make a statement and further enhance your Passat or Passat Estate by choosing from our wealth of stylish, innovative and sporty Volkswagen accessories. Choose from the high-quality carrier systems to the practical protection solutions and select the accessories to perfectly match your lifestyle.



01

01 Volkswagen roof box (Matt black)

Take the pressure off the boot when you next head away on holiday and pack all those essentials into one of these stylish Volkswagen roof boxes. In matt black, they not only fit a lot in, they look stylish too. 340 litres, maximum load capacity 50kg.
Part number: 000 071 200

02 Bicycle holder

Safely transport bicycles on the roof of your vehicle. The wheel rails are aerodynamically designed, and ensure the bicycle is correctly positioned. They enable you to use both hands to fix the wheels and frame. Thanks to the quick-fastening system, the bicycle holder is easy to fit onto the roof bars, without using any tools. The carrier also includes anti-theft protection. Suitable for maximum down tube widths of 80mm, bike weights of up to 20kg.
Part number: 000 071 128 F



02

03 Roof bars

Have a lot more fun when you arrive by throwing a lot more up top before you depart. These city crash-tested roof bars are essential when you want to fit a ski and snowboard holder, a bicycle holder, a useful roof box and more besides.
Two-piece set.
Part number: 3G0 071 126



03

04 Rear mudflaps

Prevent muck from messing up your vehicle's underbody, bumpers, sills and doors with Volkswagen mudflaps. They're long-lasting and durable, protecting your vehicle against excessive mud and reducing the chance of road chip damage.
Two-piece set.
Part number: 3G0 075 101 C

Front mudflaps

Two-piece set.
Part number: 3G0 075 111

05 Front rubber floor mats

When it comes to keeping out the worst, these rubber mats are the best. Durable, this set of two non-slip front mats protect from dirt and moisture. Shaped to fit, they're easy to clean and come with push button fastening.
Two-piece set.
Part number: 3G2 061 502 A82 V

Rear rubber floor mats

Two-piece set.
Part number: 3G0 061 512 82V



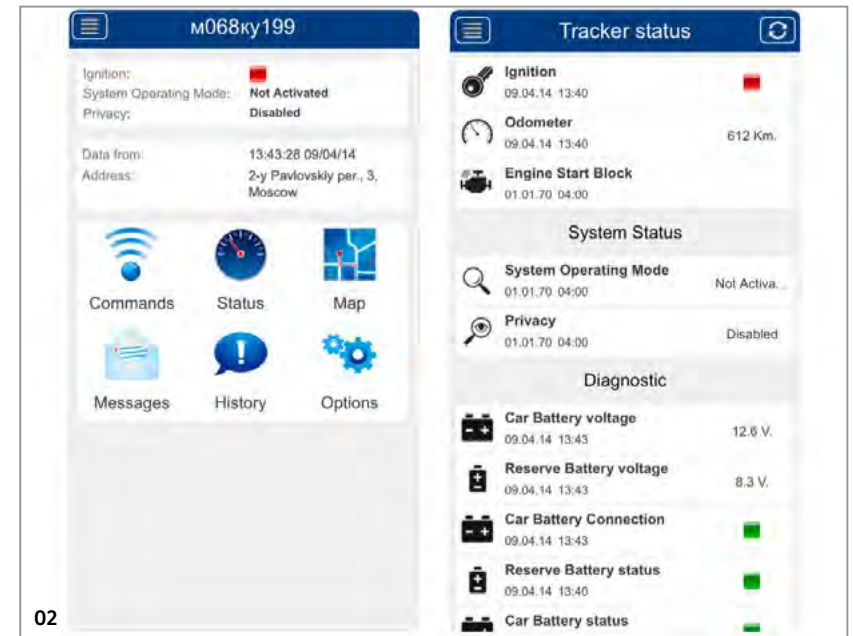
01

01 Compact III Bicycle Carrier

This clever carrier uses a super-simple quick release system to fit to your towing hitch, enabling you to transport three bicycles with a max weight of 54kg. It is the smallest, lightest and most compact in its class for the towing hitch and even with bicycles attached, accessing the boot is easy with the newly developed foot switch. Its anti-theft locking device makes life difficult for thieves and when you don't need it, it folds up into its carry bag – locking automatically – to neatly fit in your spare wheel well. Max. bicycle wheelbase 125cm. Part number: 3C2 071 105 A

02 Meta Trak S5-VTS – GPS Tracker including 1 year subscription

Take control of exactly what's happening with your vehicle, wherever you are, with our easy-to-use app and relax knowing our Secure Operating Centre is monitoring your vehicle 24/7. System includes live tracking, 24/7 control room monitoring, driver recognition ID tags, instant alerts to your phone, low battery alert, track multiple vehicles with one login, journey history and score, geo-fencing, UK & Europe coverage, service and transport modes. Part number: ZGB 000 054 003



02



03

03 Detachable towbar including electrics

If you prefer to keep your options open, our detachable towbar has all the practicalities. It's got full integration into the vehicle's CAN-bus network and all electrical components including trailer stabilisation system support, switching to stand-by current and the adjustment of all the vehicle's assistance systems, whilst being removable and super-easy to re-fit when you need it. Part number: 3G0 092 150 D

Fixed towbar

Part number: 3G0 092 103 D

Swivelling towbar

Part number: 3G5 092 160 A (Passat Saloon)

Part number: 3G9 092 160 A (Passat Estate)

Accessories. Your Volkswagen your way.

Passat Saloon.

	Part number	Total RRP £ Including VAT	Total fitted RRP £ Including VAT		Part number	Total RRP £ Including VAT	Total fitted RRP £ Including VAT
PROTECTION AND CAR CARE							
Mudflaps – front	3G0 075 111	-	77.00	Luggage compartment liner	3G5 061 160	76.00	-
Mudflaps – rear	3G0 075 101 C	-	77.00	Semi-rigid loadliner	3G5 061 161	120.50	-
Rubber floor mats – front – black	3G2 061 502 A82 V	63.00	-	Rear bumper protection film – transparent	3G5 061 197	-	115.00
Rubber floor mats – rear – black	3G0 061 512 A82 V	45.50	-	Door sill trims – black/silver	3G0 071 310 BXF	-	151.00
TRAVEL AND TRANSPORT							
Volkswagen roof box – 340 litres – matt black	000 071 200	270.50	-	Towbar – fixed, including electrical installation kit	3G0 092 103 D	-	833.50
Roof bars	3G0 071 126	282.50	-	Towbar – detachable, including electrical installation kit	3G0 092 150 D	-	932.00
Bicycle holder	000 071 128 F	117.50	-	Towbar – swiveling, including electrical kit	3G5 092 160 A	-	1,282.50
Luggage net	3C5 065 110	64.00	-	Compact III towbar mounted bicycle carrier	3C2 071 105 A	610.00	-
Safety kit	000 093 059	26.00	-	Basic II bicycle carrier – holds up to 2 bikes, no boot access while mounted	000 071 105 L	458.00	-
				Clothes hanger	00V 061 127	34.00	-
STYLING AND TECHNOLOGY							
Door sill trims – aluminium (2 pieces)	3G0 071 303	-	134.50	Meta Trak S5-VTS – GPS Tracker including 1 year subscription	ZGB 000 054 003	-	499.00
Dynamic centre caps (self-levelling)	000 071 213 D	-	109.50	UTR (Universal Traffic Recorder) – front	000 063 511 B	-	419.00
				UTR (Universal Traffic Recorder) – front and rear	000 063 511 C	-	626.50

Accessory prices are the manufacturer's Recommended Retail Prices (RRP), shown exclusive and inclusive of fitting where applicable, inclusive of appropriate VAT, and are charged in addition to recommended 'On the road' retail price paid for the vehicle. For full details, please contact your authorised Volkswagen retailer.

Volkswagen UK may change RRP's at any time (this includes where there are government changes in regulation and/or legislation). There may be a delay to any RRP displaying correctly on our materials. Always obtain prices from your chosen authorised Volkswagen retailer.

VAT IS CALCULATED AT 20%, EXCEPT RETAILER SUPPLIED CHILD SAFETY SEATS WHERE IT IS CALCULATED AT 5%. EFFECTIVE FROM 23 FEBRUARY 2021.

[Configure now >](#)

Accessories. Your Volkswagen your way.

Passat Estate.

	Part number	Total RRP £ Including VAT	Total fitted RRP £ Including VAT		Part number	Total RRP £ Including VAT	Total fitted RRP £ Including VAT
PROTECTION AND CAR CARE							
Mudflaps – front	3G0 075 111	-	77.00	Luggage compartment liner	3G9 061 160	76.00	-
Mudflaps – rear	3G0 075 101 C	-	77.00	Reversible boot mat	3G9 061 210	179.00	-
Rubber floor mats – front – black	3G2 061 502 A82 V	63.00	-	Bumper protector – stainless steel look	3G9 061 195	-	135.50
Rubber floor mats – rear – black	3G0 061 512 A82 V	45.50	-	Door sill trims – black/silver	3G0 071 310 BXF	-	151.00
Rear bumper protection film – transparent	3G9 061 197 B	-	98.00				
TRAVEL AND TRANSPORT							
Volkswagen roof box – 340 litres – matt black	000 071 200	270.50	-	Towbar – fixed, including electrical installation kit	3G0 092 103 D	-	833.50
Load bars	3G9 071 151	250.50	-	Towbar – detachable, including electrical installation kit	3G0 092 150 D	-	932.00
Bicycle holder	000 071 128 F	117.50	-	Towbar – swiveling, including electrical kit	3G9 092 160 A	-	TBA
Luggage net	3C5 065 110	64.00	-	Compact III towbar mounted bicycle carrier	3C2 071 105 A	610.00	-
Safety kit	000 093 059	26.00	-	Basic II bicycle carrier – holds up to 2 bikes, no boot access while mounted	000 071 105 L	458.00	-
Clothes hanger	00V 061 127	34.00	-	Partition grille (dog guard)	3G9 017 221	-	399.00
STYLING AND TECHNOLOGY							
Dynamic centre caps (self-levelling)	000 071 213 D	-	109.50	Meta Trak S5-VTS – GPS Tracker including 1 year subscription	ZGB 000 054 003	-	499.00
Door sill trims – steel	3G0 071 303	-	134.50	UTR (Universal Traffic Recorder) – front	000 063 511 B	-	419.00
Rear chrome strip	3G9 071 360 A	-	95.50	UTR (Universal Traffic Recorder) – front and rear	000 063 511 C	-	626.50

Accessory prices are the manufacturer's Recommended Retail Prices (RRP), shown exclusive and inclusive of fitting where applicable, inclusive of appropriate VAT, and are charged in addition to recommended 'On the road' retail price paid for the vehicle. For full details, please contact your authorised Volkswagen retailer.

Volkswagen UK may change RRP's at any time (this includes where there are government changes in regulation and/or legislation).

There may be a delay to any RRP displaying correctly on our materials. Always obtain prices from your chosen authorised Volkswagen retailer.

VAT IS CALCULATED AT 20%,
EXCEPT RETAILER SUPPLIED CHILD SAFETY SEATS WHERE IT IS CALCULATED AT 5%.
EFFECTIVE FROM 23 FEBRUARY 2021.

Alloy wheels – Standard.



01

SE N



02

SEL GTE



03

RL GTE A



04

RL E

- 01 'Istanbul' 7J x 17" alloy wheels with 215/55 R17 low rolling resistance tyres and anti-theft wheel bolts.
- 02 'Nevilles' Black 7J x 17" alloy wheels with 215/55 R17 low rolling resistance tyres and anti-theft wheel bolts.
- 03 'Monterrey' Grey Metallic 8J x 18" alloy wheels with 235/45 R18 self-sealing tyres and anti-theft wheel bolts.
- 04 'Pretoria' Dark Graphite 8J x 19" alloy wheels with 235/40 R19 tyres and anti-theft wheel bolts.

Standard
 Optional
 SE N | SE Nav **SEL** | SEL RL | R-Line **GTE** | GTE **GTE A** | GTE Advance

Images shown feature optional metallic paint.

Alloy wheels – Optional.



01 SEN SEL



02 SEN SEL



03 SEN SEL



04 SEN SEL



05 SEN SEL GTE GTE A



06 SEN SEL GTE GTE A



07 RL GTE A



08 RL



09 RL

- 01 'London' 7J x 17" alloy wheels with 215/55 R17 low rolling resistance tyres and anti-theft wheel bolts.
- 02 'Soho' Anthracite 7J x 17" alloy wheels with 215/55 R17 low rolling resistance tyres and anti-theft wheel bolts.
- 03 'Sebring' 7J x 17" alloy wheels with 215/55 R17 low rolling resistance tyres and anti-theft wheel bolts.
- 04 'Oxford' Grey Metallic 8J x 18" alloy wheels with 235/45 R18 low rolling resistance tyres and anti-theft wheel bolts.

- 05 'Oxford' 8J x 18" alloy wheels with 235/45 R18 low rolling resistance tyres and anti-theft wheel bolts.
- 06 'Liverpool' 8J x 18" alloy wheels with 235/45 R18 low rolling resistance tyres and anti-theft wheel bolts.
- 07 'Wolverton' Black diamond-turned 8J x 18" alloy wheels with 235/45 R18 tyres and anti-theft wheel bolts.
- 08 'Verona' Sterling Silver 8J x 19" alloy wheels with 235/40 R19 tyres and anti-theft wheel bolts.
- 09 'Pretoria' Dark Graphite 8J x 19" alloy wheels with 235/40 R19 tyres and anti-theft wheel bolts.

Standard
 Optional
SEN | SE Nav **SEL** | SEL **RL** | R-Line **GTE** | GTE **GTE A** | GTE Advance

Please note, choosing larger alloy wheels than standard, as an option, may result in increased fuel consumption. This is due to the fact that larger wheels have both more aerodynamic drag and more mechanical drag, resulting in increased rolling resistance and increased wind resistance. Images shown feature optional metallic paint.

Paint.



01 SEN SEL RL GTE



02 SEN SEL RL GTE



03 SEN SEL RL GTE



04 SEN SEL RL GTE



05 RL



06 SEN SEL RL



07 SEN SEL RL GTE

- 01 Pure White Non-Metallic 0Q
- 02 Urano Grey Non-Metallic 5K
- 03 Tornado Red Non-Metallic G2
- 04 Manganese Grey Metallic 5V
- 05 Lapiz Blue Metallic Signature L9
- 06 Aquamarine Blue Ultra Metallic 8H
- 07 Deep Black Pearl Effect 2T

Standard Optional
SEN | SE Nav **SEL** | SEL **RL** | R-Line **GTE** | GTE **GTE A** | GTE Advance

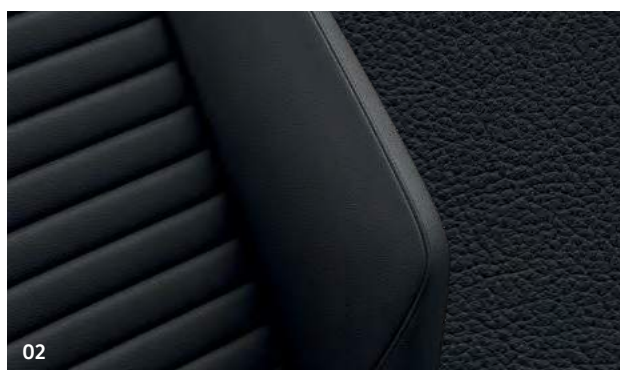
Models 01-04 and 06-07 are Passat Estate SEL with optional Park Assist and 'IQ. Light' LED matrix headlights.
 Please note: Colour range is reproduced for illustration purposes only. Actual on-car colours may vary from those shown, as screen technology does allow exact reproduction of the paint colours.

Upholstery and decorative inserts.



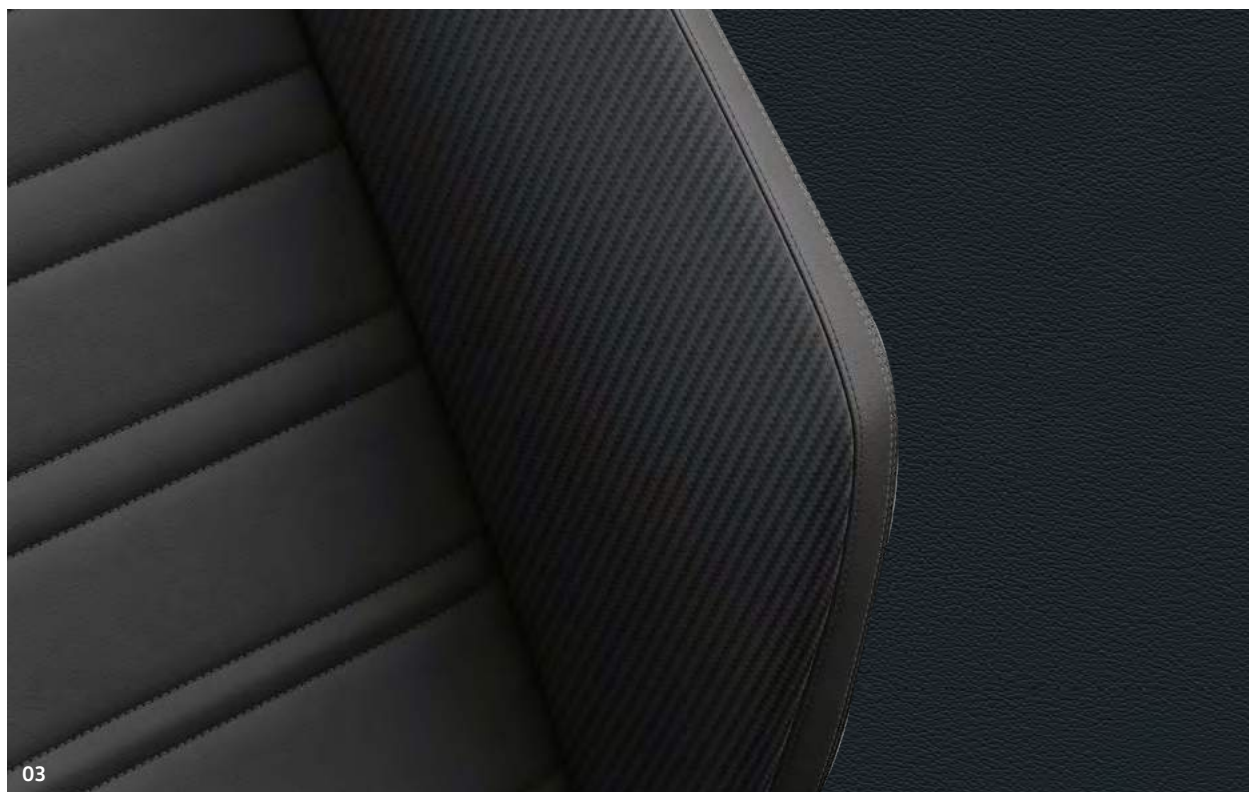
01

SE N



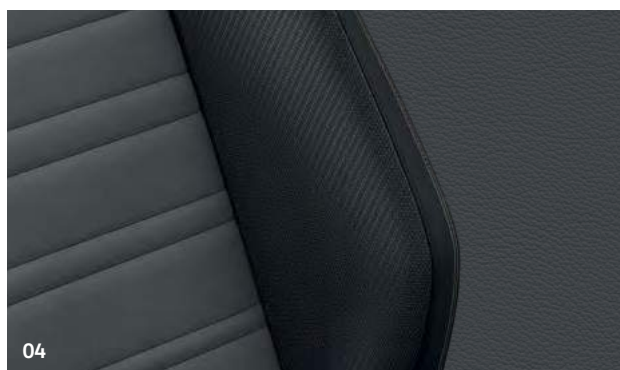
02

SEL GTE



03

RL



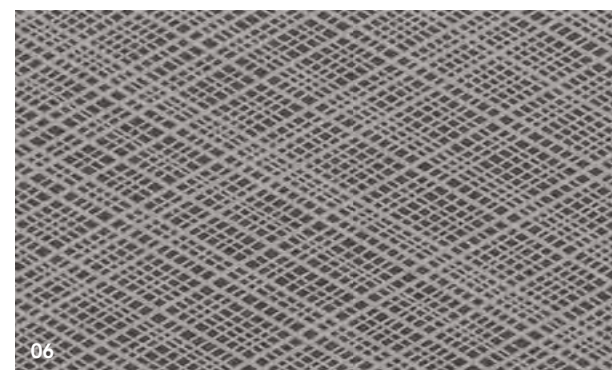
04

RL



05

SE N



06

SEL GTE

Upholstery

Standard on SE Nav

01 'Django' cloth Titan Black (TO)

Standard on SEL, GTE and GTE Advance

02 'Vienna' leather† Titan Black (TO)

Standard on R-Line

03 'Nappa' leather† and 'Carbon Optic' Titan Black/Titan Black (OH)

04 'Nappa' leather† and 'Carbon Optic' Black/Flint Grey (OK)

Optional on SE Nav

05 'Vienna' leather† Titan Black (TO)

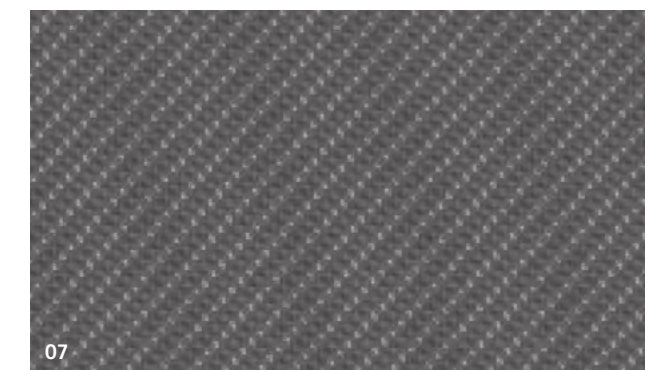
Decorative inserts

Standard on SE Nav, SEL, GTE and GTE Advance

06 'Cross Hatch'

Standard on R-Line

07 'Dark Diamond Flag'



07

RL

Standard
 Optional

SE N | SE Nav SEL | SEL RL | R-Line GTE | GTE GTE A | GTE Advance

† Some parts of leather interior will contain artificial leather.

Please note: Swatches and decorative inserts reproduced for illustration purposes only. Actual colours may vary from those shown, as screen technology does not allow exact reproduction of the upholstery and decorative insert colours.

Combinations.

	Carpet	Dashboard Upper/lower	Rooflining	Pure White 0Q Non-Metallic*	Urano Grey 5K Non-Metallic	Tornado Red G2 Non-Metallic*	Manganese Grey 5V Metallic*	Lapiz Blue L9 Metallic Signature*	Aquamarine Blue 8H Ultra Metallic*	Deep Black 2T Pearl Effect*
'Django' cloth Standard on SE Nav Titan Black (TO)	Titan Black	Titan Black/Titan Black	Mistral Grey	●	●	●	●	-	●	●
'Vienna' leather † Standard on SEL Titan Black (TO)	Titan Black	Titan Black/Titan Black	Mistral Grey	●	●	●	●	-	●	●
'Nappa' leather † and 'Carbon Optic' Standard on R-Line Titan Black/Titan Black (OH) Flint Grey/Black (OK)	Titan Black	Titan Black	Titan Black	●	●	●	●	●	●	●
'Vienna' leather † Standard on GTE and GTE Advance Titan Black (TO)	Titan Black	Titan Black/Titan Black	Mistral Grey	●	●	●	●	-	-	●
'Vienna' leather † Optional on SE Nav Titan Black (TO)	Titan Black	Titan Black/Titan Black	Mistral Grey	○	○	○	○	-	○	○

* Optional at extra cost. † Some parts of leather interior will contain artificial leather. ‡ Must be ordered in conjunction with Climate control 3Zone electronic air conditioning. ● Standard. ○ Optional. - Not available.

Dimensions – Passat Saloon.

Exterior dimensions

Length – min./max., mm	4775/4873
Width – inc. door mirrors, mm	2083
Height – max., mm	1483
Height – opened tailgate/floor, mm	1747
Wheelbase, mm	2786
Turning circle, m	11.7

Interior dimensions

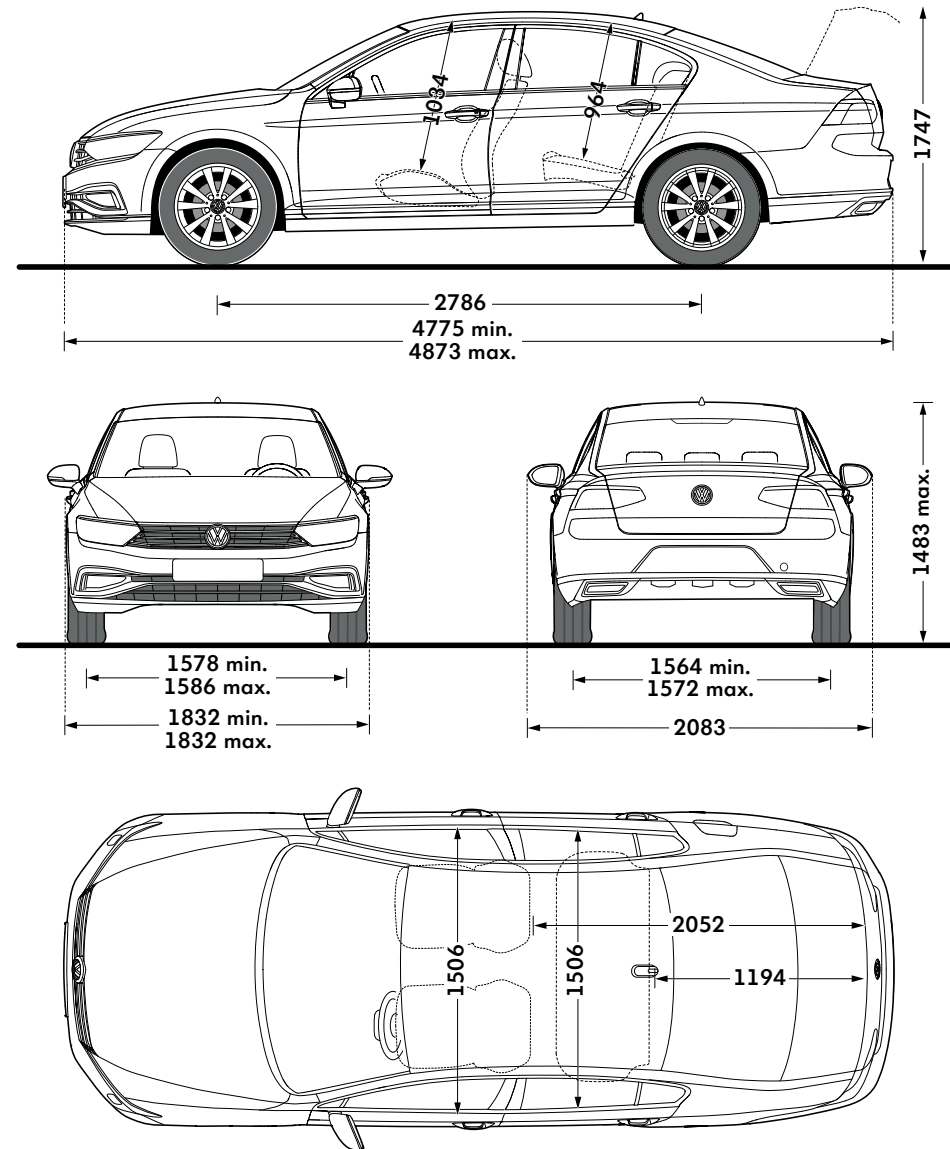
Effective headroom – front, mm	1034
Effective headroom – rear, mm	964
Interior width – front, mm	1506
Interior width – rear, mm	1506

Maximum luggage capacity, litres VDA measuring method using

200 x 100 x 50mm blocks

With rear seats upright and rear bench forward	586
With rear seats folded and rear bench forward	1152

Figures shown are for standard specification models. The addition of certain factory-fitted options and/or accessories may affect some of the dimensions shown.



On illustrations, where arrows and figures are shown inside of the vehicle, the measurements are for interior dimensions. Where arrows and figures are shown outside of the vehicle, the measurements are for exterior dimensions.

Please note: illustrations shown may not necessarily reflect UK specification.

Dimensions – Passat Estate.

Exterior dimensions

Length – min./max., mm	4773/4889
Width – inc. door mirrors, mm	2083
Height – max., mm	1516
Height – opened tailgate/floor, mm	2048
Wheelbase, mm	2786
Turning circle, m	11.7

Interior dimensions

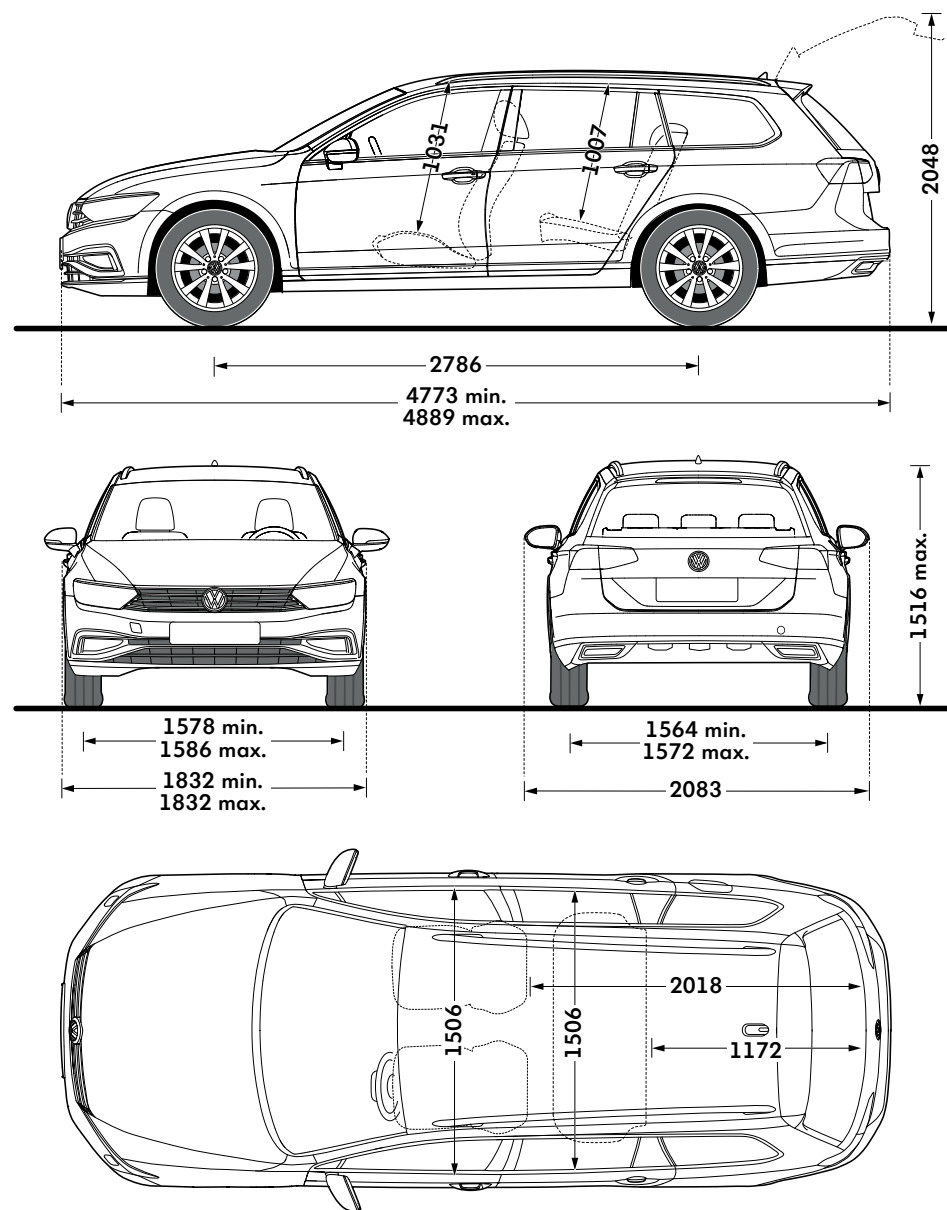
Effective headroom – front, mm	1031
Effective headroom – rear, mm	1007
Interior width – front, mm	1506
Interior width – rear, mm	1506

Maximum luggage capacity, litres VDA measuring method using

200 x 100 x 50mm blocks

With rear seats upright and rear bench forward	650
With rear seats folded and rear bench forward	1780

Figures shown are for standard specification models. The addition of certain factory-fitted options and/or accessories may affect some of the dimensions shown.



On illustrations, where arrows and figures are shown inside of the vehicle, the measurements are for interior dimensions. Where arrows and figures are shown outside of the vehicle, the measurements are for exterior dimensions.

Please note: illustrations shown may not necessarily reflect UK specification.

AdBlue®

Your Volkswagen car is fitted with an advanced emissions control system, which helps your vehicle meet EURO 6 exhaust gas regulations.

How does the system work?

AdBlue®, a water/urea based additive, is stored in a tank (like diesel fuel), however, unlike fuel it is not injected into the engine, but directly into a specially modified part of the vehicle's exhaust. This begins a chemical reaction which removes the polluting oxides of nitrogen (NOx), converting them into harmless oxygen and nitrogen in a process known as Selective Catalytic Reduction, or SCR for short. SCR is only applicable to diesel engines and the more economically you drive, typically, the less AdBlue® you will use.

The size of the AdBlue® tank fitted to your car will vary depending on which Volkswagen model you have, therefore the interval between top-ups will vary. In addition, many factors such as mileage, journey type, driving style and environmental conditions can influence how much AdBlue® is consumed. A passenger car can consume approximately 1.5 litres of AdBlue® every 620 miles (1.0–1.5 litres for the Passat and Passat Estate). The chart below details the AdBlue® tank size and location.

Model (SCR derivatives only)	Tank size (Approximately)	AdBlue® tank filler location	Initial warning of low AdBlue® (2,400km/1,500 miles to go) can be expected to occur at:
Passat and Passat Estate	13 litres	Next to fuel filler nozzle	4,000 to 6,500 miles or sooner*

* Distances are approximate and the warning light may come on sooner depending on driving style, journey type, engine and vehicle load and environmental conditions.

How will I know if the system needs topping-up?

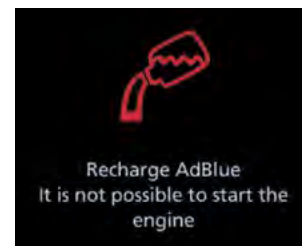
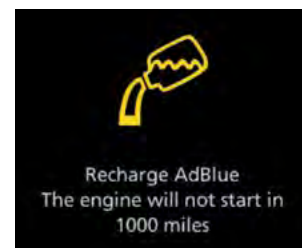
A series of warnings will be given via the driver information system, accompanied by advice/messages.

The first message is displayed when the remaining range is approximately 1,500 miles, and is repeated every 62 miles until the range reaches 1,000 miles, at which point the warning turns amber. This warning is repeated every 31 miles and is accompanied by an audible tone. If these warnings are not acted upon, the warning turns red; once this happens the car will not restart once the ignition is turned off. This is not a fault, but a required feature of the system. If this stage is reached the system will need a full top-up before the car can be restarted. Further information is available in the vehicle handbook.

Why should I use a Volkswagen Authorised repairer for top-ups?

- AdBlue® top-ups at authorised repairers are extremely competitive and charged by the litre, so you only pay for what you need
- Authorised repairer staff are trained to handle AdBlue®
- AdBlue® tanks need special adaptors on fillers to ensure there are no spillages
- Volkswagen do not recommend keeping top-up bottles in cars

The top-up bottles supplied by Volkswagen have a capacity of 1.89 litres, and come complete with the adaptor nozzles that fit the Volkswagen AdBlue® tank. These are available from all Volkswagen Authorised repairers.



AdBlue® warning lights.

Important information

- AdBlue® is not a fuel additive. This is why there is a separate AdBlue® tank
- If you put AdBlue® in your fuel tank by mistake, please do not start the engine, but contact a retailer for help
- Put only AdBlue® in the AdBlue® tank; do not fill the AdBlue® tank with any other liquids
- Prevent anything from contaminating AdBlue®
- If small quantities of AdBlue® come into contact with the vehicle's paintwork, for example, wipe them off and if necessary rinse the area with water

EFFECTIVE FROM 23 FEBRUARY 2021.

VED and additional 'On the road' costs.

Diesel vehicles that do not meet the RDE2 standard will be charged a supplement on their 'First year rate' to the effect of moving up by one VED (Vehicle Excise Duty) band. The following tables give the rates of vehicle tax on cars registered on or after 1 April 2020. Please refer to the Model Prices pages to confirm which models are RDE2 compliant.

'FIRST YEAR RATE' VED – CARS REGISTERED ON OR AFTER 1.4.2020 BASED ON CO₂ EMISSIONS AND FUEL TYPE

Petrol/Diesel[†] – 'First year rate' VED

Diesel[‡] – 'First year rate' VED

Alternative fuel – 'First year rate' VED

CO ₂ emissions (g/km)	Petrol/Diesel [†] VED £	Petrol total 'On the road' costs £
0	0.00	690.00
1-50	10.00	700.00
51-75	25.00	715.00
76-90	110.00	800.00
91-100	135.00	825.00
101-110	155.00	845.00
111-130	175.00	865.00
131-150	215.00	905.00
151-170	540.00	1,230.00
171-190	870.00	1,560.00
191-225	1,305.00	1,995.00
226-255	1,850.00	2,540.00
Over 255	2,175.00	2,865.00

CO ₂ emissions (g/km)	Diesel [‡] VED £	Diesel total 'On the road' costs £
0	0.00	690.00
1-50	25.00	715.00
51-75	110.00	800.00
76-90	135.00	825.00
91-100	155.00	845.00
101-110	175.00	865.00
111-130	215.00	905.00
131-150	540.00	1,230.00
151-170	870.00	1,560.00
171-190	1,305.00	1,995.00
191-225	1,850.00	2,540.00
226-255	2,175.00	2,865.00
Over 255	2,175.00	2,865.00

CO ₂ emissions (g/km)	Alternative fuel VED £	Alternative fuel total 'On the road' costs £
0	0.00	690.00
1-50	0.00	690.00
51-75	15.00	705.00
76-90	100.00	790.00
91-100	125.00	815.00
101-110	145.00	835.00
111-130	165.00	855.00
131-150	205.00	895.00
151-170	530.00	1,220.00
171-190	860.00	1,550.00
191-225	1,295.00	1,985.00
226-255	1,840.00	2,530.00
Over 255	2,165.00	2,855.00

The way VED (Vehicle Excise Duty) vehicle tax is calculated will change for vehicles that are first registered with the DVLA on, or after, 1 April 2018. All new diesel vehicles registered after 1 April 2018 that do not meet the RDE2 standard will be charged a supplement on their 'First year rate' to the effect of moving up by one VED (Vehicle Excise Duty) band.

If a new vehicle is registered on or after 1 April 2018, after the 'First year rate' VED the majority of vehicles move to the 'Standard rate' of vehicle tax which is £150 a year.

The 'First year rate' will be based on the CO₂ emissions, fuel type and the list price of the vehicle supplied by the Manufacturer or Retailer as applicable on the day before the vehicle is first registered and taxed.

After the 'First year rate', all vehicles with zero emissions will be exempt from the 'Standard rate' of vehicle tax. All petrol and diesel vehicles will pay a standard rate of £150 a year, and alternative fuel vehicles will pay a standard rate of £140 a year.

Petrol or diesel vehicles with a list price over £40,000 at first registration will pay £475 a year, after the first 'First year rate' vehicle tax, for a period of five years. This comprises the £150 'Standard rate' and £325 additional rate. After five years the vehicle tax will revert to the 'Standard rate' of £145 per year.

[†] Diesel cars that are tested to RDE2 standards. [‡] Diesel cars, including those tested to RDE standards.

'STANDARD RATE' VED

'Standard rate' VED based on fuel type

Fuel type	CO ₂ emissions (g/km)	'Standard rate' 12 months VED £
Electric/Other	0	0.00
Petrol/Diesel	1 - Over 255	150.00
Alternative	1 - Over 255	140.00

After the 'First year rate', all vehicles with zero emissions will be exempt from the 'Standard rate' of vehicle tax. All petrol and diesel vehicles will pay a standard rate of £150 a year, and alternative fuel vehicles will pay a standard rate of £140 a year.

'STANDARD RATE' – OVER £40,000 RRP

'Standard rate' VED for vehicles over £40,000 list price – five year annual rate

Fuel type	'Standard rate' 12 months VED £	Additional rate £	Total annual payment £
Electric	0.00	0.00	0.00
Petrol/Diesel	150.00	325.00	475.00
Alternative	140.00	325.00	465.00

Petrol or diesel vehicles with a list price over £40,000 at first registration pay £475 a year after the 'First year rate' for a period of five years. Alternative fuel vehicles over £40,000 at first registration – hybrids, bi-ethanol or LPG, pay £465 a year after the 'First year rate' for a period of five years. After five years, vehicles will revert to their 'Standard rate' tax depending on fuel type. Electric or vehicles producing zero emissions over £40,000 at first registration are exempt from any charge after the 'First year rate'.

ADDITIONAL 'OTR' COSTS

Additional 'On the road' costs

Delivery to retailer	509.17
Number plates	20.00
VAT	105.83
Vehicle first registration fee	55.00
Total	690.00

The total 'On the road' costs above for petrol, diesel, electric and alternative fuel vehicles include the applicable 'First year rate' VED charge plus the 'On the road' costs as detailed above.

Alternative fuel vehicles – hybrids, bi-ethanol or LPG, with a list price over £40,000 at first registration will pay £465 a year after the 'First year rate' vehicle tax for a period of five years. This comprises the £140 'Standard rate' and £325 additional rate which reverts to £140 'Standard rate' after five years.

Vehicles with a list price exceeding £40,000 (excluding vehicles with zero emissions) will pay the additional rate of £325 a year for a further five year period, after the 'First year rate' tax. After the five year period these vehicles will pay zero VED tax.

VAT IS CALCULATED AT 20%. EFFECTIVE FROM 23 FEBRUARY 2021.

Environmental information – Passat.

4-DOOR SALOON RANGE.		RDE2 Compliant	Fuel	Transmission	Output, PS	CO ₂ emission, g/km ¹ , Min. WLTP test cycle	CO ₂ emission, g/km ¹ , Max. WLTP test cycle	Combined ¹ fuel consumption mpg, Min.	Combined ¹ fuel consumption mpg, Max.	Combined ¹ fuel consumption ltr/100km, Min.	Combined ¹ fuel consumption ltr/100km, Max.
SE NAV‡	1.5 ltr TSI EVO††	No	Petrol	6-spd manual	150	135	146	44.1	47.9	6.4	5.9
	1.5 ltr TSI EVO††	No	Petrol	7-spd auto DSG	150	143	155	41.5	44.8	6.8	6.3
	1.5 ltr TSI EVO‡	Yes	Petrol	6-spd manual	150	139	149	42.8	46.3	6.6	6.1
	1.5 ltr TSI EVO‡	Yes	Petrol	7-spd auto DSG	150	142	156	40.9	44.8	6.9	6.3
	2.0 ltr TDI EVO SCR‡	Yes	Diesel	7-spd auto DSG	122	125	136	54.3	58.9	5.2	4.8
	2.0 ltr TDI EVO SCR††	No	Diesel	6-spd manual	150	124	133	55.4	60.1	5.1	4.7
	2.0 ltr TDI EVO SCR††	No	Diesel	7-spd auto DSG	150	130	139	53.3	56.5	5.3	5.0
	2.0 ltr TDI EVO SCR‡	Yes	Diesel	6-spd manual	150	124	134	55.4	60.1	5.1	4.7
SEL‡	2.0 ltr TDI EVO SCR‡	Yes	Diesel	7-spd auto DSG	150	124	139	53.3	60.1	5.3	4.7
	1.5 ltr TSI EVO††	No	Petrol	6-spd manual	150	135	146	44.1	47.1	6.4	6.0
	1.5 ltr TSI EVO††	No	Petrol	7-spd auto DSG	150	143	155	41.5	44.8	6.8	6.3
	1.5 ltr TSI EVO‡	Yes	Petrol	6-spd manual	150	140	149	42.8	45.6	6.6	6.2
	1.5 ltr TSI EVO‡	Yes	Petrol	7-spd auto DSG	150	142	156	40.9	44.8	6.9	6.3
	2.0 ltr TDI EVO SCR‡	Yes	Diesel	7-spd auto DSG	122	125	136	54.3	58.9	5.2	4.8
	2.0 ltr TDI EVO SCR††	No	Diesel	6-spd manual	150	124	133	55.4	60.1	5.1	4.7
	2.0 ltr TDI EVO SCR††	No	Diesel	7-spd auto DSG	150	130	139	53.3	56.5	5.3	5.0
2.0 ltr TDI EVO SCR‡	Yes	Diesel	6-spd manual	150	125	134	55.4	58.9	5.1	4.8	
2.0 ltr TDI EVO SCR‡	Yes	Diesel	7-spd auto DSG	150	124	139	53.3	60.1	5.3	4.7	

1 Figures for the Volkswagen Passat range, including petrol, diesel and hybrid vehicles. Plug-in hybrid vehicles require mains electricity for charging. Figures for hybrid vehicles were obtained using a combination of battery power and fuel. Figures shown are for comparability purposes; only compare fuel consumption, CO₂ and electric range figures with other vehicles tested to the same technical procedures. These figures may not reflect real life driving results, which will depend upon a number of factors including the accessories fitted (post-registration), variations in weather, driving styles and vehicle load. Data correct at 10.12.2020. Figures quoted are for a range of configurations (including non-UK) and are subject to change due to ongoing approvals/changes.

For more information, please see www.volkswagen.co.uk/need-help/wltp or consult your authorised Volkswagen retailer.

‡ These vehicles are WLTP (Worldwide Harmonised Light-Duty Vehicles Test Procedure) type approved vehicles. More information is available at www.volkswagen.co.uk/need-help/wltp.

† Please note these models may no longer be available to order, or only be available from stock and not available to factory order.

SCR (Selective Catalytic Reduction) requires AdBlue®, [please click here](#) or visit www.volkswagen.co.uk/technology/engines/adblue for more details.

RDE2 refers to Real Driving Emissions Step 2.

EFFECTIVE FROM 23 FEBRUARY 2021.

Environmental information – Passat.

4-DOOR SALOON RANGE.		RDE2 Compliant	Fuel	Transmission	Output, PS	CO ₂ emission, g/km ¹ , Min. WLTP test cycle		CO ₂ emission, g/km ¹ , Max. WLTP test cycle		Combined ¹ fuel consumption mpg, Min.		Combined ¹ fuel consumption mpg, Max.		Combined ¹ fuel consumption ltr/100km, Min.		Combined ¹ fuel consumption ltr/100km, Max.	
R-LINE ‡	1.5 ltr TSI EVO ††	No	Petrol	6-spd manual	150	138	–	146	44.1	–	46.3	6.4	–	6.1			
	1.5 ltr TSI EVO ††	No	Petrol	7-spd auto DSG	150	146	–	156	40.9	–	44.1	6.9	–	6.4			
	1.5 ltr TSI EVO †	Yes	Petrol	6-spd manual	150	143	–	150	42.8	–	44.8	6.6	–	6.3			
	1.5 ltr TSI EVO †	Yes	Petrol	7-spd auto DSG	150	146	–	156	40.9	–	44.1	6.9	–	6.4			
	2.0 ltr TDI EVO SCR ††	No	Diesel	6-spd manual	150	126	–	133	55.4	–	58.9	5.1	–	4.8			
	2.0 ltr TDI EVO SCR ††	No	Diesel	7-spd auto DSG	150	133	–	140	53.3	–	55.4	5.3	–	5.1			
	2.0 ltr TDI EVO SCR †	Yes	Diesel	6-spd manual	150	127	–	134	55.4	–	57.6	5.1	–	4.9			
	2.0 ltr TDI EVO SCR †	Yes	Diesel	7-spd auto DSG	150	127	–	140	53.3	–	58.9	5.3	–	4.8			
	2.0 ltr TDI SCR ††	No	Diesel	7-spd auto DSG	190	146	–	154	47.9	–	50.4	5.9	–	5.6			
2.0 ltr TDI SCR †	Yes	Diesel	7-spd auto DSG	200	138	–	146	50.4	–	53.3	5.6	–	5.3				

1 Figures for the Volkswagen Passat range, including petrol, diesel and hybrid vehicles. Plug-in hybrid vehicles require mains electricity for charging. Figures for hybrid vehicles were obtained using a combination of battery power and fuel. Figures shown are for comparability purposes; only compare fuel consumption, CO₂ and electric range figures with other vehicles tested to the same technical procedures. These figures may not reflect real life driving results, which will depend upon a number of factors including the accessories fitted (post-registration), variations in weather, driving styles and vehicle load. Data correct at 10.12.2020. Figures quoted are for a range of configurations (including non-UK) and are subject to change due to ongoing approvals/changes. For more information, please see www.volkswagen.co.uk/need-help/wltp or consult your authorised Volkswagen retailer.

‡ These vehicles are WLTP (Worldwide Harmonised Light-Duty Vehicles Test Procedure) type approved vehicles. More information is available at www.volkswagen.co.uk/need-help/wltp.

† Please note these models may no longer be available to order, or only be available from stock and not available to factory order.

SCR (Selective Catalytic Reduction) requires AdBlue®, [please click here](#) or visit www.volkswagen.co.uk/technology/engines/adblue for more details.

RDE2 refers to Real Driving Emissions Step 2.

EFFECTIVE FROM 23 FEBRUARY 2021.

Environmental information – Passat.

PETROL/ELECTRIC HYBRID 4-DOOR SALOON RANGE.	RDE2 Compliant	Fuel	Transmission	Combined output, PS	Combined CO ₂ emission, g/km ¹ Min. WLTP test cycle	Combined CO ₂ emission, g/km ¹ Max. WLTP test cycle	Combined Fuel Consumption ¹ mpg/ltr per 100km	Combined Energy Consumption ¹ miles/kWh	Combined Electric Range, miles/km (WLTP) ¹	City Electric Range, miles/km (WLTP) ¹	
GTE ‡	1.4 ltr TSI PHEV ^{‡†}	No	Plug-in Hybrid	6-spd auto DSG	218	28	31	235.4/1.2	3.91	37/59	39/63
	1.4 ltr TSI PHEV [‡]	Yes	Plug-in Hybrid	6-spd auto DSG	218	25	31	256.8/1.1	4.20	40/64	43/70
GTE ADVANCE ‡	1.4 ltr TSI PHEV ^{‡†}	No	Plug-in Hybrid	6-spd auto DSG	218	30	31	217.3/1.3	3.84	36/58	38/61
	1.4 ltr TSI PHEV [‡]	Yes	Plug-in Hybrid	6-spd auto DSG	218	26	31	256.8/1.1	4.12	38/62	43/69

1 Figures for the Volkswagen Passat range, including petrol, diesel and hybrid vehicles. Plug-in hybrid vehicles require mains electricity for charging. Figures for hybrid vehicles were obtained using a combination of battery power and fuel. Figures shown are for comparability purposes; only compare fuel consumption, CO₂ and electric range figures with other vehicles tested to the same technical procedures. These figures may not reflect real life driving results, which will depend upon a number of factors including the accessories fitted (post-registration), variations in weather, driving styles and vehicle load. Data correct at 10.12.2020. Figures quoted are for a range of configurations (including non-UK) and are subject to change due to ongoing approvals/changes.

For more information, please see www.volkswagen.co.uk/need-help/wltp or consult your authorised Volkswagen retailer.

‡ These vehicles are WLTP (Worldwide Harmonised Light-Duty Vehicles Test Procedure) type approved vehicles. More information is available at www.volkswagen.co.uk/need-help/wltp.

† Please note these models may no longer be available to order, or only be available from stock and not available to factory order.

RDE2 refers to Real Driving Emissions Step 2.

EFFECTIVE FROM 23 FEBRUARY 2021.

Environmental information – Passat Estate.

5-DOOR ESTATE RANGE.		RDE2 Compliant	Fuel	Transmission	Output, PS	CO ₂ emission, g/km ¹ , Min. WLTP test cycle		CO ₂ emission, g/km ¹ , Max. WLTP test cycle		Combined ¹ fuel consumption mpg, Min.		Combined ¹ fuel consumption mpg, Max.		Combined ¹ fuel consumption ltr/100km, Min.		Combined ¹ fuel consumption ltr/100km, Max.	
SE NAV [‡]	1.5 ltr TSI EVO ^{††}	No	Petrol	6-spd manual	150	141	-	153	42.2	-	45.6	6.7	-	6.2			
	1.5 ltr TSI EVO ^{††}	No	Petrol	7-spd auto DSG	150	149	-	162	39.2	-	42.8	7.2	-	6.6			
	1.5 ltr TSI EVO [‡]	Yes	Petrol	6-spd manual	150	144	-	155	41.5	-	44.1	6.8	-	6.4			
	1.5 ltr TSI EVO [‡]	Yes	Petrol	7-spd auto DSG	150	147	-	162	39.2	-	43.5	7.2	-	6.5			
	2.0 ltr TDI EVO SCR [‡]	Yes	Diesel	7-spd auto DSG	122	129	-	141	52.3	-	57.6	5.4	-	4.9			
	2.0 ltr TDI EVO SCR [‡]	No	Diesel	6-spd manual	150	128	-	138	53.3	-	57.6	5.3	-	4.9			
	2.0 ltr TDI EVO SCR ^{††}	No	Diesel	7-spd auto DSG	150	134	-	145	51.4	-	55.4	5.5	-	5.1			
	2.0 ltr TDI EVO SCR [‡]	Yes	Diesel	6-spd manual	150	128	-	139	53.3	-	57.6	5.3	-	4.9			
	2.0 ltr TDI EVO SCR [‡]	Yes	Diesel	7-spd auto DSG	150	128	-	145	51.4	-	57.6	5.5	-	4.9			
SEL [‡]	1.5 ltr TSI EVO ^{††}	No	Petrol	6-spd manual	150	141	-	153	42.2	-	45.6	6.7	-	6.2			
	1.5 ltr TSI EVO ^{††}	No	Petrol	7-spd auto DSG	150	149	-	162	39.2	-	42.8	7.2	-	6.6			
	1.5 ltr TSI EVO [‡]	Yes	Petrol	6-spd manual	150	144	-	155	41.5	-	44.1	6.8	-	6.4			
	1.5 ltr TSI EVO [‡]	Yes	Petrol	7-spd auto DSG	150	148	-	162	39.2	-	43.5	7.2	-	6.5			
	2.0 ltr TDI EVO SCR [‡]	Yes	Diesel	7-spd auto DSG	122	129	-	141	52.3	-	57.6	5.4	-	4.9			
	2.0 ltr TDI EVO SCR ^{††}	No	Diesel	6-spd manual	150	128	-	138	53.3	-	57.6	5.3	-	4.9			
	2.0 ltr TDI EVO SCR ^{††}	No	Diesel	7-spd auto DSG	150	135	-	145	51.4	-	55.4	5.5	-	5.1			
	2.0 ltr TDI EVO SCR [‡]	Yes	Diesel	6-spd manual	150	129	-	139	53.3	-	57.6	5.3	-	4.9			
	2.0 ltr TDI EVO SCR [‡]	Yes	Diesel	7-spd auto DSG	150	128	-	145	51.4	-	57.6	5.5	-	4.9			

1. Figures for the Volkswagen Passat range, including petrol, diesel and hybrid vehicles. Plug-in hybrid vehicles require mains electricity for charging. Figures for hybrid vehicles were obtained using a combination of battery power and fuel. Figures shown are for comparability purposes; only compare fuel consumption, CO₂ and electric range figures with other vehicles tested to the same technical procedures. These figures may not reflect real life driving results, which will depend upon a number of factors including the accessories fitted (post-registration), variations in weather, driving styles and vehicle load. Data correct at 10.12.2020. Figures quoted are for a range of configurations (including non-UK) and are subject to change due to ongoing approvals/changes. For more information, please see www.volkswagen.co.uk/need-help/wltp or consult your authorised Volkswagen retailer.

‡ These vehicles are WLTP (Worldwide Harmonised Light-Duty Vehicles Test Procedure) type approved vehicles. More information is available at www.volkswagen.co.uk/need-help/wltp.

† Please note these models may no longer be available to order, or only be available from stock and not available to factory order.

SCR (Selective Catalytic Reduction) requires AdBlue[®], [please click here](#) or visit www.volkswagen.co.uk/technology/engines/adblue for more details.

RDE2 refers to Real Driving Emissions Step 2.

EFFECTIVE FROM 23 FEBRUARY 2021.

Environmental information – Passat Estate.

5-DOOR ESTATE RANGE.		RDE2 Compliant	Fuel	Transmission	Output, PS	CO ₂ emission, g/km ¹ , Min. WLTP test cycle		CO ₂ emission, g/km ¹ , Max. WLTP test cycle		Combined ¹ fuel consumption mpg, Min.		Combined ¹ fuel consumption mpg, Max.		Combined ¹ fuel consumption ltr/100km, Min.		Combined ¹ fuel consumption ltr/100km, Max.	
R-LINE[‡]	1.5 ltr TSI EVO ^{††}	No	Petrol	6-spd manual	150	144	- 154	153	- 163	41.5	- 44.8	39.2	- 42.2	6.8	- 6.3	7.2	- 6.7
	1.5 ltr TSI EVO ^{††}	No	Petrol	7-spd auto DSG	150	148	- 156	151	- 163	40.9	- 43.5	39.2	- 42.2	6.9	- 6.5	7.2	- 6.7
	1.5 ltr TSI EVO [‡]	Yes	Petrol	6-spd manual	150	131	- 139	132	- 140	53.3	- 56.5	51.4	- 54.3	5.3	- 5.0	5.5	- 5.2
	1.5 ltr TSI EVO [‡]	Yes	Petrol	7-spd auto DSG	150	138	- 145	132	- 145	53.3	- 56.5	51.4	- 56.5	5.3	- 5.0	5.5	- 5.0
	2.0 ltr TDI EVO SCR ^{††}	No	Diesel	6-spd manual	150	152	- 162	143	- 152	45.6	- 48.7	48.7	- 52.3	6.2	- 5.8	5.8	- 5.4
	2.0 ltr TDI EVO SCR ^{††}	No	Diesel	7-spd auto DSG	150	143	- 152	143	- 152	48.7	- 52.3	48.7	- 52.3	5.8	- 5.4	5.8	- 5.4
	2.0 ltr TDI EVO SCR [‡]	Yes	Diesel	6-spd manual	150	132	- 140	132	- 145	51.4	- 56.5	51.4	- 56.5	5.5	- 5.0	5.5	- 5.0
	2.0 ltr TDI EVO SCR [‡]	Yes	Diesel	7-spd auto DSG	150	132	- 145	132	- 145	51.4	- 56.5	51.4	- 56.5	5.5	- 5.0	5.5	- 5.0
	2.0 ltr TDI SCR ^{††}	No	Diesel	7-spd auto DSG	190	152	- 162	152	- 162	45.6	- 48.7	45.6	- 48.7	6.2	- 5.8	6.2	- 5.8
	2.0 ltr TDI SCR [‡]	Yes	Diesel	7-spd auto DSG	200	143	- 152	143	- 152	48.7	- 52.3	48.7	- 52.3	5.8	- 5.4	5.8	- 5.4

¹ Figures for the Volkswagen Passat range, including petrol, diesel and hybrid vehicles. Plug-in hybrid vehicles require mains electricity for charging. Figures for hybrid vehicles were obtained using a combination of battery power and fuel. Figures shown are for comparability purposes; only compare fuel consumption, CO₂ and electric range figures with other vehicles tested to the same technical procedures. These figures may not reflect real life driving results, which will depend upon a number of factors including the accessories fitted (post-registration), variations in weather, driving styles and vehicle load. Data correct at 10.12.2020. Figures quoted are for a range of configurations (including non-UK) and are subject to change due to ongoing approvals/changes. For more information, please see www.volkswagen.co.uk/need-help/wltp or consult your authorised Volkswagen retailer.

[‡] These vehicles are WLTP (Worldwide Harmonised Light-Duty Vehicles Test Procedure) type approved vehicles. More information is available at www.volkswagen.co.uk/need-help/wltp.

[†] Please note these models may no longer be available to order, or only be available from stock and not available to factory order.

SCR (Selective Catalytic Reduction) requires AdBlue[®], [please click here](#) or visit www.volkswagen.co.uk/technology/engines/adblue for more details.

RDE2 refers to Real Driving Emissions Step 2.

EFFECTIVE FROM 23 FEBRUARY 2021.

Environmental information – Passat Estate.

PETROL/ELECTRIC HYBRID 5-DOOR ESTATE RANGE.	RDE2 Compliant	Fuel	Transmission	Combined output, PS	Combined CO ₂ emission, g/km ¹ Min. WLTP test cycle	Combined CO ₂ emission, g/km ¹ Max. WLTP test cycle	Combined Fuel Consumption ¹ mpg/ltr per 100km	Combined Energy Consumption ¹ miles/kWh	Combined Electric Range, miles/km (WLTP) ¹	City Electric Range, miles/km (WLTP) ¹
GTE ‡	1.4 ltr TSI PHEV ^{‡†}	No	Plug-in Hybrid	6-spd auto DSG	218	31	201.8/1.4	3.79	35/57	38/61
	1.4 ltr TSI PHEV [‡]	Yes	Plug-in Hybrid	6-spd auto DSG	218	27	235.4/1.2	4.09	38/61	43/69
GTE ADVANCE ‡	1.4 ltr TSI PHEV ^{‡†}	No	Plug-in Hybrid	6-spd auto DSG	218	33	188.3/1.5	3.72	34/55	37/59
	1.4 ltr TSI PHEV [‡]	Yes	Plug-in Hybrid	6-spd auto DSG	218	29	235.4/1.2	4.01	37/59	42/68

¹ Figures for the Volkswagen Passat range, including petrol, diesel and hybrid vehicles. Plug-in hybrid vehicles require mains electricity for charging. Figures for hybrid vehicles were obtained using a combination of battery power and fuel. Figures shown are for comparability purposes; only compare fuel consumption, CO₂ and electric range figures with other vehicles tested to the same technical procedures. These figures may not reflect real life driving results, which will depend upon a number of factors including the accessories fitted (post-registration), variations in weather, driving styles and vehicle load. Data correct at 10.12.2020. Figures quoted are for a range of configurations (including non-UK) and are subject to change due to ongoing approvals/changes.

For more information, please see www.volkswagen.co.uk/need-help/wltp or consult your authorised Volkswagen retailer.

‡ These vehicles are WLTP (Worldwide Harmonised Light-Duty Vehicles Test Procedure) type approved vehicles. More information is available at www.volkswagen.co.uk/need-help/wltp.

† Please note these models may no longer be available to order, or only be available from stock and not available to factory order.

RDE2 refers to Real Driving Emissions Step 2.

EFFECTIVE FROM 23 FEBRUARY 2021.

CO₂ emissions, BIK % and VED Bands with optional wheels – Passat.

Effect of wheel size on CO₂ emissions, BIK % and VED Bands.

Choosing alternative alloy wheels than standard, as an option, may result in different fuel consumption as well as different CO₂ emissions and subsequently an alternative Vehicle Excise Duty (VED) Band, while BIK rates paid by company car drivers may differ. This is due to the fact that different wheels have both alternative aerodynamic drag and mechanical drag, resulting in different rolling resistance and wind resistance. As a result, the VED Band that the vehicle falls into may differ from its original VED Band when fitted with standard size wheels. In some instances, the recommended 'On the road' retail price paid for the vehicle may change as a result of the change in VED rate. The chart below shows CO₂ emissions and the related VED Bands for vehicles with both standard-fit wheels and larger optional alloy wheels, as well as the different cost payable due to a change in VED Band if applicable.

4-DOOR SALOON RANGE.			RDE2 Compliant	Output, PS	Standard wheel size	CO ₂ emission, g/km ¹ , WLTP test cycle, standard wheels	First year VED £, standard wheels	BIK % with standard wheel size ²	Optional alloy wheel and size	CO ₂ emission, g/km ¹ , WLTP test cycle, optional wheel	First year VED £, optional wheels	BIK % with optional wheel size ²
SE NAV [†]	1.5 ltr TSI EVO ^{††}	6-spd manual	No	150	17"	135	215.00	30	17" Sebring, 17" London, 17" Soho Anthracite	135	215.00	30
				150	17"	135	215.00	30	18" Liverpool, 18" Oxford, 18" Oxford Grey Metallic	138	215.00	30
	1.5 ltr TSI EVO ^{††}	7-spd auto DSG	No	150	17"	143	215.00	31	17" Sebring, 17" London, 17" Soho Anthracite	143	215.00	31
				150	17"	143	215.00	31	18" Liverpool, 18" Oxford, 18" Oxford Grey Metallic	146	215.00	32
	1.5 ltr TSI EVO [‡]	6-spd manual	Yes	150	17"	139	215.00	30	17" Sebring	139	215.00	30
				150	17"	139	215.00	30	17" London, 17" Soho Anthracite	140	215.00	31
				150	17"	139	215.00	30	18" Liverpool, 18" Oxford, 18" Oxford Grey Metallic	142	215.00	31
	1.5 ltr TSI EVO [‡]	7-spd auto DSG	Yes	150	17"	142	215.00	31	17" Sebring, 17" Soho Anthracite	142	215.00	31
				150	17"	142	215.00	31	17" London	143	215.00	31
				150	17"	142	215.00	31	18" Liverpool, 18" Oxford, 18" Oxford Grey Metallic	145	215.00	32
	2.0 ltr TDI EVO SCR [‡]	7-spd auto DSG	Yes	122	17"	125	175.00	28	17" Sebring, 17" London, 17" Soho Anthracite	125	175.00	28
				122	17"	125	175.00	28	18" Liverpool	127	175.00	28
				122	17"	125	175.00	28	18" Oxford, 18" Oxford Grey Metallic	128	175.00	28
	2.0 ltr TDI EVO SCR ^{††}	6-spd manual	No	150	17"	124	215.00	31	17" Sebring, 17" London, 17" Soho Anthracite	124	215.00	31
				150	17"	124	215.00	31	18" Liverpool, 18" Oxford, 18" Oxford Grey Metallic	126	215.00	32
	2.0 ltr TDI EVO SCR ^{††}	7-spd auto DSG	No	150	17"	130	215.00	33	17" Sebring, 17" London, 17" Soho Anthracite	130	215.00	33
				150	17"	130	215.00	33	18" Liverpool, 18" Oxford, 18" Oxford Grey Metallic	132	540.00	33
	2.0 ltr TDI EVO SCR [‡]	6-spd manual	Yes	150	17"	124	175.00	27	17" Sebring	124	175.00	27
				150	17"	124	175.00	27	17" London, 17" Soho Anthracite	125	175.00	28
				150	17"	124	175.00	27	18" Liverpool, 18" Oxford, 18" Oxford Grey Metallic	127	175.00	28
	2.0 ltr TDI EVO SCR [‡]	7-spd auto DSG	Yes	150	17"	124	175.00	27	17" Sebring, 17" London, 17" Soho Anthracite	124	175.00	27
				150	17"	124	175.00	27	18" Liverpool, 18" Oxford, 18" Oxford Grey Metallic	127	175.00	28

1 Figures for the Volkswagen Passat range, including petrol, diesel and hybrid vehicles. Plug-in hybrid vehicles require mains electricity for charging. Figures for hybrid vehicles were obtained using a combination of battery power and fuel. Figures shown are for comparability purposes; only compare fuel consumption, CO₂ and electric range figures with other vehicles tested to the same technical procedures. These figures may not reflect real life driving results, which will depend upon a number of factors including the accessories fitted (post-registration), variations in weather, driving styles and vehicle load. Data correct at 10.12.2020. Figures quoted are for a range of configurations (including non-UK) and are subject to change due to ongoing approvals/changes. For more information, please see www.volkswagen.co.uk/need-help/wltp or consult your authorised Volkswagen retailer.

2 The BIK charges quoted reflect the charges which apply to vehicles registered after 6 April 2020. These charges may differ from any charges displayed or quoted before 6 April 2020. The BIK % figure quoted includes the 4% diesel supplement, where applicable. Please note: the increase in VED and BIK rate that is payable is in addition to the cost of the optional alloy wheels. Please consult your Volkswagen retailer for full details.

‡ These vehicles are WLTP (Worldwide Harmonised Light-Duty Vehicles Test Procedure) type approved vehicles. More information is available at www.volkswagen.co.uk/need-help/wltp.

† Please note these models may no longer be available to order, or only be available from stock and not available to factory order.

SCR (Selective Catalytic Reduction) requires AdBlue®, [please click here](#) or visit www.volkswagen.co.uk/technology/engines/adblue for more details.

RDE2 refers to Real Driving Emissions Step 2.

VAT IS CALCULATED AT 20%. EFFECTIVE FROM 23 FEBRUARY 2021.



CO₂ emissions, BIK % and VED Bands with optional wheels – Passat.

Effect of wheel size on CO₂ emissions, BIK % and VED Bands.

Choosing alternative alloy wheels than standard, as an option, may result in different fuel consumption as well as different CO₂ emissions and subsequently an alternative Vehicle Excise Duty (VED) Band, while BIK rates paid by company car drivers may differ. This is due to the fact that different wheels have both alternative aerodynamic drag and mechanical drag, resulting in different rolling resistance and wind resistance. As a result, the VED Band that the vehicle falls into may differ from its original VED Band when fitted with standard size wheels. In some instances, the recommended 'On the road' retail price paid for the vehicle may change as a result of the change in VED rate. The chart below shows CO₂ emissions and the related VED Bands for vehicles with both standard-fit wheels and larger optional alloy wheels, as well as the different cost payable due to a change in VED Band if applicable.

4-DOOR SALOON RANGE.			RDE2 Compliant	Output, PS	Standard wheel size	CO ₂ emission, g/km ¹ , WLTP test cycle, standard wheels	First year VED £, standard wheels	BIK % with standard wheel size ²	Optional alloy wheel and size	CO ₂ emission, g/km ¹ , WLTP test cycle, optional wheel	First year VED £, optional wheels	BIK % with optional wheel size ²
SEL ‡	1.5 ltr TSI EVO ††	6-spd manual	No	150	17"	135	215.00	30	17" Sebring, 17" London, 17" Soho Anthracite	135	215.00	30
				150	17"	135	215.00	30	18" Liverpool, 18" Oxford, 18" Oxford Grey Metallic	138	215.00	30
	1.5 ltr TSI EVO ††	7-spd auto DSG	No	150	17"	143	215.00	31	17" Sebring, 17" London, 17" Soho Anthracite	143	215.00	31
				150	17"	143	215.00	31	18" Liverpool	146	215.00	32
				150	17"	143	215.00	31	18" Oxford, 18" Oxford Grey Metallic	147	215.00	32
	1.5 ltr TSI EVO †	6-spd manual	Yes	150	17"	140	215.00	31	17" Sebring, 17" London, 17" Soho Anthracite	140	215.00	31
				150	17"	140	215.00	31	18" Liverpool, 18" Oxford, 18" Oxford Grey Metallic	142	215.00	31
	1.5 ltr TSI EVO †	7-spd auto DSG	Yes	150	17"	142	215.00	31	17" Sebring, 17" Soho Anthracite	142	215.00	31
				150	17"	142	215.00	31	17" London	143	215.00	31
				150	17"	142	215.00	31	18" Liverpool, 18" Oxford, 18" Oxford Grey Metallic	146	215.00	32
	2.0 ltr TDI EVO SCR ‡	7-spd auto DSG	Yes	122	17"	125	175.00	28	17" Sebring, 17" London, 17" Soho Anthracite	125	175.00	28
				122	17"	125	175.00	28	18" Liverpool, 18" Oxford, 18" Oxford Grey Metallic	128	175.00	28
	2.0 ltr TDI EVO SCR ††	6-spd manual	No	150	17"	124	215.00	31	17" Sebring, 17" London, 17" Soho Anthracite	124	215.00	31
				150	17"	124	215.00	31	18" Liverpool, 18" Oxford, 18" Oxford Grey Metallic	126	215.00	32
	2.0 ltr TDI EVO SCR ††	7-spd auto DSG	No	150	17"	130	215.00	33	17" Sebring, 17" Soho Anthracite	130	215.00	33
				150	17"	130	215.00	33	17" London	131	540.00	33
				150	17"	130	215.00	33	18" Liverpool	132	540.00	33
				150	17"	130	215.00	33	18" Oxford, 18" Oxford Grey Metallic	133	540.00	33
	2.0 ltr TDI EVO SCR ‡	6-spd manual	Yes	150	17"	125	175.00	28	17" Sebring, 17" London, 17" Soho Anthracite	125	175.00	28
				150	17"	125	175.00	28	18" Liverpool, 18" Oxford, 18" Oxford Grey Metallic	127	175.00	28
	2.0 ltr TDI EVO SCR ‡	7-spd auto DSG	Yes	150	17"	124	175.00	27	17" Sebring, 17" London, 17" Soho Anthracite	124	175.00	27
				150	17"	124	175.00	27	18" Liverpool, 18" Oxford, 18" Oxford Grey Metallic	127	175.00	28

1 Figures for the Volkswagen Passat range, including petrol, diesel and hybrid vehicles. Plug-in hybrid vehicles require mains electricity for charging. Figures for hybrid vehicles were obtained using a combination of battery power and fuel. Figures shown are for comparability purposes; only compare fuel consumption, CO₂ and electric range figures with other vehicles tested to the same technical procedures. These figures may not reflect real life driving results, which will depend upon a number of factors including the accessories fitted (post-registration), variations in weather, driving styles and vehicle load. Data correct at 10.12.2020. Figures quoted are for a range of configurations (including non-UK) and are subject to change due to ongoing approvals/changes. For more information, please see www.volkswagen.co.uk/need-help/wltp or consult your authorised Volkswagen retailer.

2 The BIK charges quoted reflect the charges which apply to vehicles registered after 6 April 2020. These charges may differ from any charges displayed or quoted before 6 April 2020. The BIK % figure quoted includes the 4% diesel supplement, where applicable. Please note: the increase in VED and BIK rate that is payable is in addition to the cost of the optional alloy wheels. Please consult your Volkswagen retailer for full details.

‡ These vehicles are WLTP (Worldwide Harmonised Light-Duty Vehicles Test Procedure) type approved vehicles. More information is available at www.volkswagen.co.uk/need-help/wltp.

† Please note these models may no longer be available to order, or only be available from stock and not available to factory order.

SCR (Selective Catalytic Reduction) requires AdBlue®, [please click here](#) or visit www.volkswagen.co.uk/technology/engines/adblue for more details.

RDE2 refers to Real Driving Emissions Step 2.

VAT IS CALCULATED AT 20%. EFFECTIVE FROM 23 FEBRUARY 2021.



CO₂ emissions, BIK % and VED Bands with optional wheels – Passat.

Effect of wheel size on CO₂ emissions, BIK % and VED Bands.

Choosing alternative alloy wheels than standard, as an option, may result in different fuel consumption as well as different CO₂ emissions and subsequently an alternative Vehicle Excise Duty (VED) Band, while BIK rates paid by company car drivers may differ. This is due to the fact that different wheels have both alternative aerodynamic drag and mechanical drag, resulting in different rolling resistance and wind resistance. As a result, the VED Band that the vehicle falls into may differ from its original VED Band when fitted with standard size wheels. In some instances, the recommended 'On the road' retail price paid for the vehicle may change as a result of the change in VED rate. The chart below shows CO₂ emissions and the related VED Bands for vehicles with both standard-fit wheels and larger optional alloy wheels, as well as the different cost payable due to a change in VED Band if applicable.

4-DOOR SALOON RANGE.			RDE2 Compliant	Output, PS	Standard wheel size	CO ₂ emission, g/km ¹ , WLTP test cycle, standard wheels	First year VED £, standard wheels	BIK % with standard wheel size ²	Optional alloy wheel and size	CO ₂ emission, g/km ¹ , WLTP test cycle, optional wheel	First year VED £, optional wheels	BIK % with optional wheel size ²
R-LINE	1.5 ltr TSI EVO ^{††}	6-spd manual	No	150	18"	138	215.00	30	18" Wolverton Black diamond-turned	138	215.00	30
				150	18"	138	215.00	30	19" Pretoria Dark Graphite	143	215.00	31
				150	18"	138	215.00	30	19" Verona Sterling Silver	142	215.00	31
	1.5 ltr TSI EVO ^{††}	7-spd auto DSG	No	150	18"	146	215.00	32	18" Wolverton Black diamond-turned	146	215.00	32
				150	18"	146	215.00	32	19" Pretoria Dark Graphite	152	540.00	33
				150	18"	146	215.00	32	19" Verona Sterling Silver	151	540.00	33
	1.5 ltr TSI EVO [‡]	6-spd manual	Yes	150	18"	143	215.00	31	18" Wolverton Black diamond-turned	143	215.00	31
				150	18"	143	215.00	31	19" Pretoria Dark Graphite	147	215.00	32
				150	18"	143	215.00	31	19" Verona Sterling Silver	146	215.00	32
	1.5 ltr TSI EVO [‡]	7-spd auto DSG	Yes	150	18"	146	215.00	32	18" Wolverton Black diamond-turned	146	215.00	32
				150	18"	146	215.00	32	19" Pretoria Dark Graphite, 19" Verona Sterling Silver	150	215.00	33
				150	18"	146	215.00	32	19" Pretoria Dark Graphite, 19" Verona Sterling Silver	150	215.00	33
	2.0 ltr TDI EVO SCR ^{††}	6-spd manual	No	150	18"	126	215.00	32	18" Wolverton Black diamond-turned	126	215.00	32
				150	18"	126	215.00	32	19" Pretoria Dark Graphite, 19" Verona Sterling Silver	130	215.00	33
	2.0 ltr TDI EVO SCR ^{††}	7-spd auto DSG	No	150	18"	133	540.00	33	18" Wolverton Black diamond-turned	133	540.00	33
				150	18"	133	540.00	33	19" Pretoria Dark Graphite, 19" Verona Sterling Silver	136	540.00	34
	2.0 ltr TDI EVO SCR [‡]	6-spd manual	Yes	150	18"	127	175.00	28	18" Wolverton Black diamond-turned	127	175.00	28
				150	18"	127	175.00	28	19" Pretoria Dark Graphite, 19" Verona Sterling Silver	131	215.00	29
	2.0 ltr TDI EVO SCR [‡]	7-spd auto DSG	Yes	150	18"	127	175.00	28	18" Wolverton Black diamond-turned	127	175.00	28
				150	18"	127	175.00	28	19" Pretoria Dark Graphite, 19" Verona Sterling Silver	131	215.00	29
	2.0 ltr TDI SCR ^{††}	7-spd auto DSG	No	190	18"	146	540.00	36	18" Wolverton Black diamond-turned	146	540.00	36
				190	18"	146	540.00	36	19" Pretoria Dark Graphite, 19" Verona Sterling Silver	150	540.00	37
	2.0 ltr TDI SCR [‡]	7-spd auto DSG	Yes	200	18"	138	215.00	30	18" Wolverton Black diamond-turned	138	215.00	30
				200	18"	138	215.00	30	19" Pretoria Dark Graphite, 19" Verona Sterling Silver	142	215.00	31

1 Figures for the Volkswagen Passat range, including petrol, diesel and hybrid vehicles. Plug-in hybrid vehicles require mains electricity for charging. Figures for hybrid vehicles were obtained using a combination of battery power and fuel. Figures shown are for comparability purposes; only compare fuel consumption, CO₂ and electric range figures with other vehicles tested to the same technical procedures. These figures may not reflect real life driving results, which will depend upon a number of factors including the accessories fitted (post-registration), variations in weather, driving styles and vehicle load. Data correct at 10.12.2020. Figures quoted are for a range of configurations (including non-UK) and are subject to change due to ongoing approvals/changes. For more information, please see www.volkswagen.co.uk/need-help/wltp or consult your authorised Volkswagen retailer.

2 The BIK charges quoted reflect the charges which apply to vehicles registered after 6 April 2020. These charges may differ from any charges displayed or quoted before 6 April 2020. The BIK % figure quoted includes the 4% diesel supplement, where applicable. Please note: the increase in VED and BIK rate that is payable is in addition to the cost of the optional alloy wheels. Please consult your Volkswagen retailer for full details.

‡ These vehicles are WLTP (Worldwide Harmonised Light-Duty Vehicles Test Procedure) type approved vehicles. More information is available at www.volkswagen.co.uk/need-help/wltp.

† Please note these models may no longer be available to order, or only be available from stock and not available to factory order.

SCR (Selective Catalytic Reduction) requires AdBlue®, [please click here](#) or visit www.volkswagen.co.uk/technology/engines/adblue for more details.

RDE2 refers to Real Driving Emissions Step 2.

VAT IS CALCULATED AT 20%. EFFECTIVE FROM 23 FEBRUARY 2021.

CO₂ emissions, BIK % and VED Bands with optional wheels – Passat.

Effect of wheel size on CO₂ emissions, BIK % and VED Bands.

Choosing alternative alloy wheels than standard, as an option, may result in different fuel consumption as well as different CO₂ emissions and subsequently an alternative Vehicle Excise Duty (VED) Band, while BIK rates paid by company car drivers may differ. This is due to the fact that different wheels have both alternative aerodynamic drag and mechanical drag, resulting in different rolling resistance and wind resistance. As a result, the VED Band that the vehicle falls into may differ from its original VED Band when fitted with standard size wheels. In some instances, the recommended 'On the road' retail price paid for the vehicle may change as a result of the change in VED rate. The chart below shows CO₂ emissions and the related VED Bands for vehicles with both standard-fit wheels and larger optional alloy wheels, as well as the different cost payable due to a change in VED Band if applicable.

PETROL/ELECTRIC HYBRID 4-DOOR SALOON RANGE.			RDE Compliant	Combined output, PS	Standard wheel size	CO ₂ emission, g/km ¹ , WLTP test cycle, standard wheels	First year VED £, standard wheels	BIK % with standard wheel size ²	Optional alloy wheel and size	CO ₂ emission, g/km ¹ , WLTP test cycle, optional wheel	First year VED £, optional wheels	BIK % with optional wheel size ²
GTE ‡	1.4 ltr TSI PHEV ^{††}	6-spd auto DSG	No	218	17"	28	0.00	10	18" Oxford, 18" Liverpool	30	0.00	10
	1.4 ltr TSI PHEV ‡	6-spd auto DSG	Yes	218	17"	25	0.00	10	18" Oxford, 18" Liverpool	26	0.00	10
GTE ADVANCE ‡	1.4 ltr TSI PHEV ^{††}	6-spd auto DSG	No	218	18"	30	0.00	10	18" Oxford, 18" Liverpool, 18" Wolverton Black diamond-turned	30	0.00	10
	1.4 ltr TSI PHEV ‡	6-spd auto DSG	Yes	218	18"	26	0.00	10	18" Oxford, 18" Liverpool, 18" Wolverton Black diamond-turned	26	0.00	10

1 Figures for the Volkswagen Passat range, including petrol, diesel and hybrid vehicles. Plug-in hybrid vehicles require mains electricity for charging. Figures for hybrid vehicles were obtained using a combination of battery power and fuel. Figures shown are for comparability purposes; only compare fuel consumption, CO₂ and electric range figures with other vehicles tested to the same technical procedures. These figures may not reflect real life driving results, which will depend upon a number of factors including the accessories fitted (post-registration), variations in weather, driving styles and vehicle load. Data correct at 10.12.2020. Figures quoted are for a range of configurations (including non-UK) and are subject to change due to ongoing approvals/changes. For more information, please see www.volkswagen.co.uk/need-help/wltp or consult your authorised Volkswagen retailer.

2 The BIK charges quoted reflect the charges which apply to vehicles registered after 6 April 2020. These charges may differ from any charges displayed or quoted before 6 April 2020. The BIK % figure quoted includes the 4% diesel supplement, where applicable. Please note: the increase in VED and BIK rate that is payable is in addition to the cost of the optional alloy wheels. Please consult your Volkswagen retailer for full details.

‡ These vehicles are WLTP (Worldwide Harmonised Light-Duty Vehicles Test Procedure) type approved vehicles. More information is available at www.volkswagen.co.uk/need-help/wltp.

† Please note these models may no longer be available to order, or only be available from stock and not available to factory order.

RDE2 refers to Real Driving Emissions Step 2.

VAT IS CALCULATED AT 20%. EFFECTIVE FROM 23 FEBRUARY 2021.

CO₂ emissions, BIK % and VED Bands with optional wheels – Passat Estate.

Effect of wheel size on CO₂ emissions, BIK % and VED Bands.

Choosing alternative alloy wheels than standard, as an option, may result in different fuel consumption as well as different CO₂ emissions and subsequently an alternative Vehicle Excise Duty (VED) Band, while BIK rates paid by company car drivers may differ. This is due to the fact that different wheels have both alternative aerodynamic drag and mechanical drag, resulting in different rolling resistance and wind resistance. As a result, the VED Band that the vehicle falls into may differ from its original VED Band when fitted with standard size wheels. In some instances, the recommended 'On the road' retail price paid for the vehicle may change as a result of the change in VED rate. The chart below shows CO₂ emissions and the related VED Bands for vehicles with both standard-fit wheels and larger optional alloy wheels, as well as the different cost payable due to a change in VED Band if applicable.

5-DOOR ESTATE RANGE.			RDE2 Compliant	Output, PS	Standard wheel size	CO ₂ emission, g/km ¹ , WLTP test cycle, standard wheels	First year VED £, standard wheels	BIK % with standard wheel size ²	Optional alloy wheel and size	CO ₂ emission, g/km ¹ , WLTP test cycle, optional wheel	First year VED £, optional wheels	BIK % with optional wheel size ²
SE NAV [†]	1.5 ltr TSI EVO ^{‡†}	6-spd manual	No	150	17"	141	215.00	31	17" Sebring, 17" London, 17" Soho Anthracite	141	215.00	31
				150	17"	141	215.00	31	18" Liverpool, 18" Oxford, 18" Oxford Grey Metallic	144	215.00	31
	1.5 ltr TSI EVO ^{‡†}	7-spd auto DSG	No	150	17"	149	215.00	32	17" Sebring, 17" Soho Anthracite	149	215.00	32
150				17"	149	215.00	32	17" London	150	215.00	33	
150				17"	149	215.00	32	18" Liverpool, 18" Oxford, 18" Oxford Grey Metallic	153	540.00	33	
SE NAV [†]	1.5 ltr TSI EVO [‡]	6-spd manual	Yes	150	17"	144	215.00	31	17" Sebring, 17" London, 17" Soho Anthracite	144	215.00	31
				150	17"	144	215.00	31	18" Liverpool, 18" Oxford, 18" Oxford Grey Metallic	147	215.00	32
	1.5 ltr TSI EVO [‡]	7-spd auto DSG	Yes	150	17"	147	215.00	32	17" Sebring	147	215.00	32
150				17"	147	215.00	32	17" London, 17" Soho Anthracite	148	215.00	32	
150				17"	147	215.00	32	18" Liverpool, 18" Oxford, 18" Oxford Grey Metallic	150	215.00	33	
2.0 ltr TDI EVO SCR [‡]	7-spd auto DSG	Yes	122	17"	129	175.00	28	17" Sebring, 17" London, 17" Soho Anthracite	129	175.00	28	
			122	17"	129	175.00	28	18" Liverpool, 18" Oxford, 18" Oxford Grey Metallic	132	215.00	29	
2.0 ltr TDI EVO SCR ^{‡†}	6-spd manual	No	150	17"	128	215.00	32	17" Sebring, 17" London, 17" Soho Anthracite	128	215.00	32	
			150	17"	128	215.00	32	18" Liverpool	131	540.00	33	
			150	17"	128	215.00	32	18" Oxford, 18" Oxford Grey Metallic	130	215.00	33	
2.0 ltr TDI EVO SCR ^{‡†}	7-spd auto DSG	No	150	17"	134	540.00	33	17" Sebring, 17" Soho Anthracite	134	540.00	33	
			150	17"	134	540.00	33	17" London	135	540.00	34	
			150	17"	134	540.00	33	18" Liverpool, 18" Oxford, 18" Oxford Grey Metallic	137	540.00	34	
2.0 ltr TDI EVO SCR [‡]	6-spd manual	Yes	150	17"	128	175.00	28	17" Sebring, 17" Soho Anthracite	128	175.00	28	
			150	17"	128	175.00	28	17" London	129	175.00	28	
			150	17"	128	175.00	28	18" Liverpool, 18" Oxford, 18" Oxford Grey Metallic	131	215.00	29	
2.0 ltr TDI EVO SCR [‡]	7-spd auto DSG	Yes	150	17"	128	175.00	28	17" Sebring, 17" London, 17" Soho Anthracite	128	175.00	28	
			150	17"	128	175.00	28	18" Liverpool, 18" Oxford, 18" Oxford Grey Metallic	131	215.00	29	

1 Figures for the Volkswagen Passat range, including petrol, diesel and hybrid vehicles. Plug-in hybrid vehicles require mains electricity for charging. Figures for hybrid vehicles were obtained using a combination of battery power and fuel. Figures shown are for comparability purposes; only compare fuel consumption, CO₂ and electric range figures with other vehicles tested to the same technical procedures. These figures may not reflect real life driving results, which will depend upon a number of factors including the accessories fitted (post-registration), variations in weather, driving styles and vehicle load. Data correct at 10.12.2020. Figures quoted are for a range of configurations (including non-UK) and are subject to change due to ongoing approvals/changes. For more information, please see www.volkswagen.co.uk/need-help/wltp or consult your authorised Volkswagen retailer.

2 The BIK charges quoted reflect the charges which apply to vehicles registered after 6 April 2020. These charges may differ from any charges displayed or quoted before 6 April 2020. The BIK % figure quoted includes the 4% diesel supplement, where applicable. Please note: the increase in VED and BIK rate that is payable is in addition to the cost of the optional alloy wheels. Please consult your Volkswagen retailer for full details.

‡ These vehicles are WLTP (Worldwide Harmonised Light-Duty Vehicles Test Procedure) type approved vehicles. More information is available at www.volkswagen.co.uk/need-help/wltp.

† Please note these models may no longer be available to order, or only be available from stock and not available to factory order.

SCR (Selective Catalytic Reduction) requires AdBlue®, [please click here](#) or visit www.volkswagen.co.uk/technology/engines/adblue for more details.

RDE2 refers to Real Driving Emissions Step 2.

VAT IS CALCULATED AT 20%. EFFECTIVE FROM 23 FEBRUARY 2021.

CO₂ emissions, BIK % and VED Bands with optional wheels – Passat Estate.

Effect of wheel size on CO₂ emissions, BIK % and VED Bands.

Choosing alternative alloy wheels than standard, as an option, may result in different fuel consumption as well as different CO₂ emissions and subsequently an alternative Vehicle Excise Duty (VED) Band, while BIK rates paid by company car drivers may differ. This is due to the fact that different wheels have both alternative aerodynamic drag and mechanical drag, resulting in different rolling resistance and wind resistance. As a result, the VED Band that the vehicle falls into may differ from its original VED Band when fitted with standard size wheels. In some instances, the recommended 'On the road' retail price paid for the vehicle may change as a result of the change in VED rate. The chart below shows CO₂ emissions and the related VED Bands for vehicles with both standard-fit wheels and larger optional alloy wheels, as well as the different cost payable due to a change in VED Band if applicable.

5-DOOR ESTATE RANGE.			RDE2 Compliant	Output, PS	Standard wheel size	CO ₂ emission, g/km ¹ , WLTP test cycle, standard wheels	First year VED £, standard wheels	BIK % with standard wheel size ²	Optional alloy wheel and size	CO ₂ emission, g/km ¹ , WLTP test cycle, optional wheel	First year VED £, optional wheels	BIK % with optional wheel size ²
SEL ‡	1.5 ltr TSI EVO ††	6-spd manual	No	150	17"	141	215.00	31	17" Sebring, 17" London, 17" Soho Anthracite	141	215.00	31
				150	17"	141	215.00	31	18" Liverpool, 18" Oxford, 18" Oxford Grey Metallic	144	215.00	31
	1.5 ltr TSI EVO ††	7-spd auto DSG	No	150	17"	149	215.00	32	17" Sebring, 17" London	150	215.00	33
				150	17"	149	215.00	32	17" Soho Anthracite	149	215.00	32
				150	17"	149	215.00	32	18" Liverpool, 18" Oxford, 18" Oxford Grey Metallic	153	540.00	33
	1.5 ltr TSI EVO †	6-spd manual	Yes	150	17"	144	215.00	31	17" Sebring, 17" London, 17" Soho Anthracite	144	215.00	31
				150	17"	144	215.00	31	18" Liverpool, 18" Oxford, 18" Oxford Grey Metallic	147	215.00	32
	1.5 ltr TSI EVO †	7-spd auto DSG	Yes	150	17"	148	215.00	32	17" Sebring, 17" London, 17" Soho Anthracite	148	215.00	32
				150	17"	148	215.00	32	18" Liverpool, 18" Oxford, 18" Oxford Grey Metallic	151	540.00	33
	2.0 ltr TDI EVO SCR †	7-spd auto DSG	Yes	122	17"	129	175.00	28	17" Sebring, 17" London, 17" Soho Anthracite	129	175.00	28
				122	17"	129	175.00	28	18" Liverpool, 18" Oxford, 18" Oxford Grey Metallic	132	215.00	29
	2.0 ltr TDI EVO SCR ††	6-spd manual	No	150	17"	128	215.00	32	17" Sebring, 17" London, 17" Soho Anthracite	128	215.00	32
				150	17"	128	215.00	32	18" Liverpool, 18" Oxford, 18" Oxford Grey Metallic	131	540.00	33
	2.0 ltr TDI EVO SCR ††	7-spd auto DSG	No	150	17"	135	540.00	34	17" Sebring, 17" London, 17" Soho Anthracite	135	540.00	34
				150	17"	135	540.00	34	18" Liverpool, 18" Oxford, 18" Oxford Grey Metallic	137	540.00	34
	2.0 ltr TDI EVO SCR †	6-spd manual	Yes	150	17"	129	175.00	28	17" Sebring, 17" London, 17" Soho Anthracite	129	175.00	28
				150	17"	129	175.00	28	18" Liverpool	132	215.00	29
				150	17"	129	175.00	28	18" Oxford, 18" Oxford Grey Metallic	131	215.00	29
	2.0 ltr TDI EVO SCR †	7-spd auto DSG	Yes	150	17"	128	175.00	28	17" Sebring, 17" Soho Anthracite	128	175.00	28
				150	17"	128	175.00	28	17" London	129	175.00	28
				150	17"	128	175.00	28	18" Liverpool, 18" Oxford, 18" Oxford Grey Metallic	131	215.00	29

1 Figures for the Volkswagen Passat range, including petrol, diesel and hybrid vehicles. Plug-in hybrid vehicles require mains electricity for charging. Figures for hybrid vehicles were obtained using a combination of battery power and fuel. Figures shown are for comparability purposes; only compare fuel consumption, CO₂ and electric range figures with other vehicles tested to the same technical procedures. These figures may not reflect real life driving results, which will depend upon a number of factors including the accessories fitted (post-registration), variations in weather, driving styles and vehicle load. Data correct at 10.12.2020. Figures quoted are for a range of configurations (including non-UK) and are subject to change due to ongoing approvals/changes. For more information, please see www.volkswagen.co.uk/need-help/wltp or consult your authorised Volkswagen retailer.

2 The BIK charges quoted reflect the charges which apply to vehicles registered after 6 April 2020. These charges may differ from any charges displayed or quoted before 6 April 2020. The BIK % figure quoted includes the 4% diesel supplement, where applicable. Please note: the increase in VED and BIK rate that is payable is in addition to the cost of the optional alloy wheels. Please consult your Volkswagen retailer for full details.

‡ These vehicles are WLTP (Worldwide Harmonised Light-Duty Vehicles Test Procedure) type approved vehicles. More information is available at www.volkswagen.co.uk/need-help/wltp.

† Please note these models may no longer be available to order, or only be available from stock and not available to factory order.

SCR (Selective Catalytic Reduction) requires AdBlue®, [please click here](#) or visit www.volkswagen.co.uk/technology/engines/adblue for more details.

RDE2 refers to Real Driving Emissions Step 2.

VAT IS CALCULATED AT 20%. EFFECTIVE FROM 23 FEBRUARY 2021.



CO₂ emissions, BIK % and VED Bands with optional wheels – Passat Estate.

Effect of wheel size on CO₂ emissions, BIK % and VED Bands.

Choosing alternative alloy wheels than standard, as an option, may result in different fuel consumption as well as different CO₂ emissions and subsequently an alternative Vehicle Excise Duty (VED) Band, while BIK rates paid by company car drivers may differ. This is due to the fact that different wheels have both alternative aerodynamic drag and mechanical drag, resulting in different rolling resistance and wind resistance. As a result, the VED Band that the vehicle falls into may differ from its original VED Band when fitted with standard size wheels. In some instances, the recommended 'On the road' retail price paid for the vehicle may change as a result of the change in VED rate. The chart below shows CO₂ emissions and the related VED Bands for vehicles with both standard-fit wheels and larger optional alloy wheels, as well as the different cost payable due to a change in VED Band if applicable.

5-DOOR ESTATE RANGE.			RDE2 Compliant	Output, PS	Standard wheel size	CO ₂ emission, g/km ¹ , WLTP test cycle, standard wheels	First year VED £, standard wheels	BIK % with standard wheel size ²	Optional alloy wheel and size	CO ₂ emission, g/km ¹ , WLTP test cycle, optional wheel	First year VED £, optional wheels	BIK % with optional wheel size ²
R-LINE †	1.5 ltr TSI EVO ††	6-spd manual	No	150	18"	144	215.00	31	18" Wolverton Black diamond-turned	144	215.00	31
				150	18"	144	215.00	31	19" Pretoria Dark Graphite	149	215.00	32
				150	18"	144	215.00	31	19" Verona Sterling Silver	148	215.00	32
	1.5 ltr TSI EVO ††	7-spd auto DSG	No	150	18"	154	540.00	33	18" Wolverton Black diamond-turned	153	540.00	33
				150	18"	154	540.00	33	19" Pretoria Dark Graphite, 19" Verona Sterling Silver	158	540.00	34
	1.5 ltr TSI EVO †	6-spd manual	Yes	150	18"	148	215.00	32	18" Wolverton Black diamond-turned	148	215.00	32
				150	18"	148	215.00	32	19" Pretoria Dark Graphite, 19" Verona Sterling Silver	151	540.00	33
	1.5 ltr TSI EVO †	7-spd auto DSG	Yes	150	18"	151	540.00	33	18" Wolverton Black diamond-turned	151	540.00	33
				150	18"	151	540.00	33	19" Pretoria Dark Graphite, 19" Verona Sterling Silver	156	540.00	34
	2.0 ltr TDI EVO SCR ††	6-spd manual	No	150	18"	131	540.00	33	18" Wolverton Black diamond-turned	131	540.00	33
				150	18"	131	540.00	33	19" Pretoria Dark Graphite, 19" Verona Sterling Silver	135	540.00	34
	2.0 ltr TDI EVO SCR ††	7-spd auto DSG	No	150	18"	138	540.00	34	18" Wolverton Black diamond-turned	138	540.00	34
				150	18"	138	540.00	34	19" Pretoria Dark Graphite, 19" Verona Sterling Silver	141	540.00	35
	2.0 ltr TDI EVO SCR †	6-spd manual	Yes	150	18"	132	215.00	29	18" Wolverton Black diamond-turned	132	215.00	29
				150	18"	132	215.00	29	19" Pretoria Dark Graphite, 19" Verona Sterling Silver	136	215.00	30
	2.0 ltr TDI EVO SCR †	7-spd auto DSG	Yes	150	18"	132	215.00	29	18" Wolverton Black diamond-turned	131	215.00	29
				150	18"	132	215.00	29	19" Pretoria Dark Graphite, 19" Verona Sterling Silver	135	215.00	30
	2.0 ltr TDI SCR ††	7-spd auto DSG	No	190	18"	152	870.00	37	18" Wolverton Black diamond-turned	152	870.00	37
				190	18"	152	870.00	37	19" Pretoria Dark Graphite	157	870.00	37
				190	18"	152	870.00	37	19" Verona Sterling Silver	156	870.00	37
	2.0 ltr TDI SCR †	7-spd auto DSG	Yes	200	18"	143	215.00	31	18" Wolverton Black diamond-turned	143	215.00	31
				200	18"	143	215.00	31	19" Pretoria Dark Graphite, 19" Verona Sterling Silver	146	215.00	32

1 Figures for the Volkswagen Passat range, including petrol, diesel and hybrid vehicles. Plug-in hybrid vehicles require mains electricity for charging. Figures for hybrid vehicles were obtained using a combination of battery power and fuel. Figures shown are for comparability purposes; only compare fuel consumption, CO₂ and electric range figures with other vehicles tested to the same technical procedures. These figures may not reflect real life driving results, which will depend upon a number of factors including the accessories fitted (post-registration), variations in weather, driving styles and vehicle load. Data correct at 10.12.2020. Figures quoted are for a range of configurations (including non-UK) and are subject to change due to ongoing approvals/changes. For more information, please see www.volkswagen.co.uk/need-help/wltp or consult your authorised Volkswagen retailer.

2 The BIK charges quoted reflect the charges which apply to vehicles registered after 6 April 2020. These charges may differ from any charges displayed or quoted before 6 April 2020. The BIK % figure quoted includes the 4% diesel supplement, where applicable. Please note: the increase in VED and BIK rate that is payable is in addition to the cost of the optional alloy wheels. Please consult your Volkswagen retailer for full details.

‡ These vehicles are WLTP (Worldwide Harmonised Light-Duty Vehicles Test Procedure) type approved vehicles. More information is available at www.volkswagen.co.uk/need-help/wltp.

† Please note these models may no longer be available to order, or only be available from stock and not available to factory order.

SCR (Selective Catalytic Reduction) requires AdBlue®, [please click here](#) or visit www.volkswagen.co.uk/technology/engines/adblue for more details.

RDE2 refers to Real Driving Emissions Step 2.

VAT IS CALCULATED AT 20%. EFFECTIVE FROM 23 FEBRUARY 2021.



CO₂ emissions, BIK % and VED Bands with optional wheels – Passat Estate.

Effect of wheel size on CO₂ emissions, BIK % and VED Bands.

Choosing alternative alloy wheels than standard, as an option, may result in different fuel consumption as well as different CO₂ emissions and subsequently an alternative Vehicle Excise Duty (VED) Band, while BIK rates paid by company car drivers may differ. This is due to the fact that different wheels have both alternative aerodynamic drag and mechanical drag, resulting in different rolling resistance and wind resistance. As a result, the VED Band that the vehicle falls into may differ from its original VED Band when fitted with standard size wheels. In some instances, the recommended 'On the road' retail price paid for the vehicle may change as a result of the change in VED rate. The chart below shows CO₂ emissions and the related VED Bands for vehicles with both standard-fit wheels and larger optional alloy wheels, as well as the different cost payable due to a change in VED Band if applicable.

PETROL/ELECTRIC HYBRID 5-DOOR ESTATE RANGE.			RDE Compliant	Combined output, PS	Standard wheel size	CO ₂ emission, g/km ¹ , WLTP test cycle, standard wheels	First year VED £, standard wheels	BIK % with standard wheel size ²	Optional alloy wheel and size	CO ₂ emission, g/km ¹ , WLTP test cycle, optional wheel	First year VED £, optional wheels	BIK % with optional wheel size ²
GTE ‡	1.4 ltr TSI PHEV ^{††}	6-spd auto DSG	No	218	17"	31	0.00	10	18" Oxford, 18" Liverpool	33	0.00	10
	1.4 ltr TSI PHEV ‡	6-spd auto DSG	Yes	218	17"	27	0.00	10	18" Oxford, 18" Liverpool	TBA	TBA	TBA
GTE ADVANCE ‡	1.4 ltr TSI PHEV ^{††}	6-spd auto DSG	No	218	18"	33	0.00	10	18" Oxford, 18" Liverpool, 18" Wolverton Black diamond-turned	33	0.00	10
	1.4 ltr TSI PHEV ‡	6-spd auto DSG	Yes	218	18"	29	0.00	10	18" Oxford, 18" Liverpool	29	0.00	10
	1.4 ltr TSI PHEV ‡	6-spd auto DSG	Yes	218	18"	29	0.00	10	18" Wolverton Black diamond-turned	28	0.00	10

1 Figures for the Volkswagen Passat range, including petrol, diesel and hybrid vehicles. Plug-in hybrid vehicles require mains electricity for charging. Figures for hybrid vehicles were obtained using a combination of battery power and fuel. Figures shown are for comparability purposes; only compare fuel consumption, CO₂ and electric range figures with other vehicles tested to the same technical procedures. These figures may not reflect real life driving results, which will depend upon a number of factors including the accessories fitted (post-registration), variations in weather, driving styles and vehicle load. Data correct at 10.12.2020. Figures quoted are for a range of configurations (including non-UK) and are subject to change due to ongoing approvals/changes. For more information, please see www.volkswagen.co.uk/need-help/wltp or consult your authorised Volkswagen retailer.

2 The BIK charges quoted reflect the charges which apply to vehicles registered after 6 April 2020. These charges may differ from any charges displayed or quoted before 6 April 2020. The BIK % figure quoted includes the 4% diesel supplement, where applicable. Please note: the increase in VED and BIK rate that is payable is in addition to the cost of the optional alloy wheels. Please consult your Volkswagen retailer for full details.

‡ These vehicles are WLTP (Worldwide Harmonised Light-Duty Vehicles Test Procedure) type approved vehicles. More information is available at www.volkswagen.co.uk/need-help/wltp.

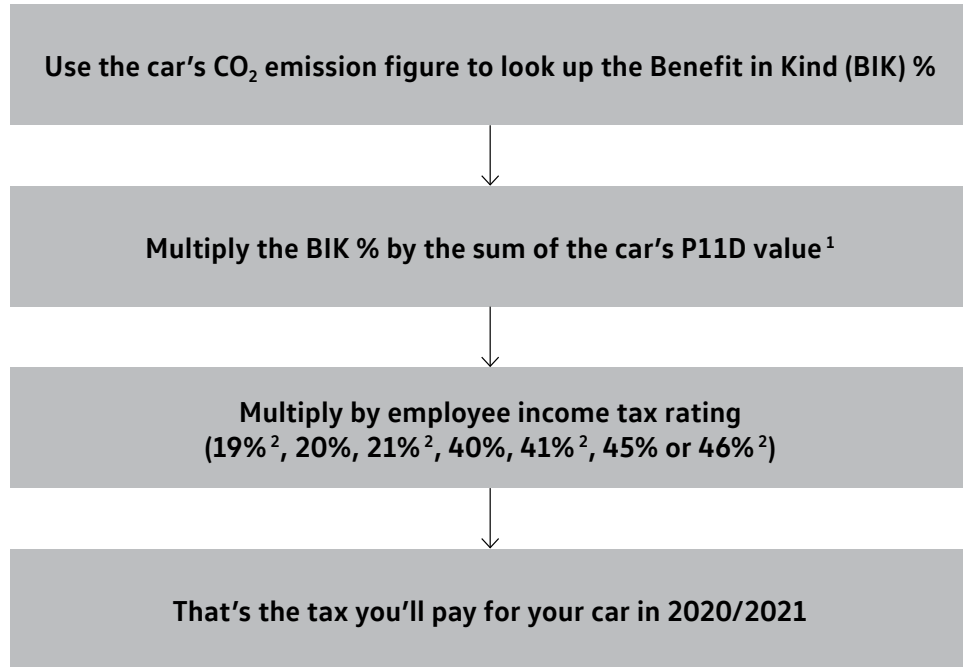
† Please note these models may no longer be available to order, or only be available from stock and not available to factory order.

RDE2 refers to Real Driving Emissions Step 2.

VAT IS CALCULATED AT 20%. EFFECTIVE FROM 23 FEBRUARY 2021.

Company car taxation chart – tax year 2020/21.

How to calculate your company car income tax liability – effective 6.4.2020



Emissions CO ₂ (g/km)	2020/21 Benefit in Kind % (BIK)				2021/22 Benefit in Kind % (BIK)				2022/23 Benefit in Kind % (BIK)			
	Petrol/Diesel ³	Diesel	Electric range miles	Alternative fuel	Petrol/Diesel ³	Diesel	Electric range miles	Alternative fuel	Petrol/Diesel ³	Diesel	Electric range miles	Alternative fuel
0 (BEV)												
1-50	12%	16%	130 or above	0%	13%	17%	130 or above	1%	14%	18%	130 or above	2%
51-54	13%	17%	70-129	3%	14%	18%	70-129	4%	15%	19%	70-129	5%
55-59	14%	18%	40-69	6%	15%	19%	40-69	7%	16%	20%	40-69	8%
60-64	15%	19%	30-39	10%	16%	20%	30-39	11%	17%	21%	30-39	12%
65-69	16%	20%	1-29	12%	17%	21%	1-29	13%	18%	22%	1-29	14%
70-74	17%	21%			18%	22%			19%	23%		
75-79	18%	22%			19%	23%			20%	24%		
80-84	19%	23%			20%	24%			21%	25%		
85-89	20%	24%			21%	25%			22%	26%		
90-94	21%	25%			22%	26%			23%	27%		
95-99	22%	26%			23%	27%			24%	28%		
100-104	23%	27%			24%	28%			25%	29%		
105-109	24%	28%			25%	29%			26%	30%		
110-114	25%	29%			26%	30%			27%	31%		
115-119	26%	30%			27%	31%			28%	32%		
120-124	27%	31%			28%	32%			29%	33%		
125-129	28%	32%			29%	33%			30%	34%		
130-134	29%	33%			30%	34%			31%	35%		
135-139	30%	34%			31%	35%			32%	36%		
140-144	31%	35%			32%	36%			33%	37%		
145-149	32%	36%			33%	37%			34%	37%		
150-154	33%	37%			34%	37%			35%	37%		
155-159	34%	37%			35%	37%			36%	37%		
160-164	35%	37%			36%	37%			37%	37%		
165-169	36%	37%			37%	37%			37%	37%		
170+	37%	37%			37%	37%			37%	37%		

Taxable percentage of P11D value (Diesel figures include the 4% diesel supplement)

The government is retaining the diesel supplement in company car tax until 2021, when EU-wide testing procedures will ensure new diesel cars meet air quality standards even under strict 'real world' driving conditions. From 6 April 2018 drivers must add 4% to their appropriate percentage if the car is propelled solely by diesel (up to a maximum of 37%).

For further details of company car tax, please consult your authorised Volkswagen retailer, or visit www.volkswagen.co.uk/offers-and-finance/fleet/calculators/company-car-tax-calculator. Full details can be found at www.assets.publishing.service.gov.uk/government/uploads/system/uploads/attachment_data/file/815268/190617_-_WLTP_-_summary_of_responses_v2.2.pdf

1 P11D values given in this price list are based on standard specification models with no factory-fitted options or other accessories. If your car includes factory-fitted options or other accessories, you may need to adjust the P11D value to take this into account.
 2 From 6 April 2018, new income tax rates have been introduced for Scottish Taxpayers, these figures reflect the new Scottish rates. For full details of Scottish BIK tax liability, please refer to the [Benefit In Kind for Scottish Residents section](#)
 3 Diesel cars that are tested to RDE2 standards.

Company car taxation comparison.

3-year taxation comparison guide.

PASSAT SALOON.			RDE2 Compliant	Output, PS	CO ₂ emission, g/km ¹ WLTP test cycle	Basic Recommended Retail £	VAT £	Total Recommended Retail £	Tax year commencing	P11D Value £ ²	BIK % ³	Annual cost at 20% ⁴ tax rate £	Annual cost at 40% ⁴ tax rate £
SE NAV [‡]	1.5 ltr TSI EVO [‡]	6-spd manual	No	150	135	21,816.67	4,363.33	26,180.00	2020/21	26,815.00	30	1,608.90	3,217.80
									2021/22	26,815.00	31	1,662.53	3,325.06
									2022/23	26,815.00	32	1,716.16	3,432.32
R-LINE [‡]	2.0 ltr TDI SCR [‡]	7-spd auto DSG	Yes	150	127	28,000.00	5,600.00	33,600.00	2020/21	34,235.00	28	1,917.16	3,834.32
									2021/22	34,235.00	29	1,985.63	3,971.26
									2022/23	34,235.00	30	2,054.10	4,108.20
PASSAT ESTATE.													
SE NAV [‡]	1.5 ltr TSI EVO [‡]	6-spd manual	No	150	141	23,695.83	4,739.17	28,435.00	2020/21	29,070.00	31	1,802.34	3,604.68
									2021/22	29,070.00	32	1,860.48	3,720.96
									2022/23	29,070.00	33	1,918.62	3,837.24
R-LINE [‡]	2.0 ltr TDI SCR [‡]	7-spd auto DSG	Yes	150	132	29,879.17	5,975.83	35,855.00	2020/21	36,490.00	29	2,116.42	4,232.84
									2021/22	36,490.00	30	2,189.40	4,378.80
									2022/23	36,490.00	31	2,262.38	4,524.76

1 Figures for the Volkswagen Passat range, including petrol, diesel and hybrid vehicles. Plug-in hybrid vehicles require mains electricity for charging. Figures for hybrid vehicles were obtained using a combination of battery power and fuel. Figures shown are for comparability purposes; only compare fuel consumption, CO₂ and electric range figures with other vehicles tested to the same technical procedures. These figures may not reflect real life driving results, which will depend upon a number of factors including the accessories fitted (post-registration), variations in weather, driving styles and vehicle load. Data correct at 10.12.2020. Figures quoted are for a range of configurations (including non-UK) and are subject to change due to ongoing approvals/changes. For more information, please see www.volkswagen.co.uk/need-help/wltp or consult your authorised Volkswagen retailer.

2 P11D value = Total recommended retail price + delivery to retailer £509.17, + number plates £20, + VAT £105.83 (calculated by reference to total of delivery to retailer + number plates). P11D value is based on standard specification model with no factory-fitted options or other accessories.

3 The BIK charges quoted reflect the charges which apply to vehicles registered after 6 April 2020. These charges may differ from any charges displayed or quoted before 6 April 2020. The BIK % figure quoted includes the 4% diesel supplement, where applicable. Please consult your Volkswagen retailer for full details.

4 From 6 April 2018, new income tax rates have been introduced for Scottish Taxpayers. For full details of Scottish BIK tax liability, please refer to the [Benefit In Kind for Scottish Residents section](#)

‡ These vehicles are WLTP (Worldwide Harmonised Light-Duty Vehicles Test Procedure) type approved vehicles. More information is available at www.volkswagen.co.uk/need-help/wltp.

All examples are for manual derivatives unless otherwise stated. RDE2 refers to Real Driving Emissions Step 2.

Volkswagen UK may change RRP's at any time (this includes where there are government changes in regulation and/or legislation). There may be a delay to any RRP displaying correctly on our materials. Always obtain prices from your chosen authorised Volkswagen retailer.

VAT IS CALCULATED AT 20%. EFFECTIVE FROM 23 FEBRUARY 2021.

Volkswagen service.



Configure now >



VOLKSWAGEN FINANCE¹

Volkswagen Finance specialises in providing funding solutions for Volkswagen drivers. Whether your Volkswagen is for private or business use, you can choose from a range of funding options.

Solutions – a Personal Contract Plan

Flexible finance plan designed to allow you to drive a new vehicle sooner than you think. At the end of your agreement you can choose to trade in your Volkswagen for a new one, keep it, or hand it back.

Hire Purchase

A simple and straightforward way to finance your Volkswagen. Have the option to break down your monthly payments over a period that suits you, making financing your car much more manageable than you think.

Contract Hire

Available for both personal and business customers. Ideal for customers simply wanting to pay a monthly rental for the vehicle, change it on a regular fixed period and have no disposal risk.

- Lease Purchase
- Finance Lease

With all Volkswagen Finance products you can choose a fixed-cost maintenance plan to help you budget for your servicing and maintenance costs. Buy your service plan online or visit your local Volkswagen retailer for more information.



VOLKSWAGEN INSURANCE²

We want you to start enjoying your new car from day one, and thanks to our complimentary five day Volkswagen Drive Away Insurance you can. Please visit www.insurewithvolkswagen.co.uk/driveaway to activate your cover. If eligible, we will also give you a quotation for our annual insurance, designed specifically for Volkswagen drivers.

ANNUAL CAR INSURANCE

Volkswagen car insurance helps give you peace of mind with the following benefits at no extra cost:

- Repairs carried out by Volkswagen trained technicians using Volkswagen Genuine Parts and paints when repaired by a Volkswagen approved repairer
- Guaranteed courtesy car
- Child seat replacement
- Uninsured driver promise
- Vandalism promise
- 24 hour accident recovery

For more information or to get a quote, visit www.insurewithvolkswagen.co.uk

SERVICING AND MAINTENANCE

Volkswagen is pleased to offer you a choice on how your Volkswagen is serviced. The appropriate selection is entirely dependent on how the car is likely to be driven and its general use. To help you identify which type of service would be most suitable, please refer to the following guide.

Fixed Service

The Fixed Service is recommended for vehicles that will cover less than 9,300 miles in 12 months and if the vehicle is likely to be used in the following way:

- Predominantly urban driving, short journeys with frequent cold starts.
- Activities regularly producing high engine loading, e.g. frequent hill climbs, driving with vehicle fully loaded and towing.
- Uneconomical driving style using high rpms with heavy acceleration and heavy braking.

The service intervals for the Fixed Service schedule on 2021 MY onwards are as follows:

- Oil change service – After 1 year or 9,300 miles (15,000 km), whichever is soonest.
- Inspection service³ – First after 2 years or 18,600 miles (30,000 km), then every 2 years or 18,600 miles (30,000 km), whichever is soonest.

The Passat Saloon and Passat Estate GTE and GTE Advance PHEV models are only available with the Fixed Service schedule. Please consult your authorised Volkswagen retailer or repairer for advice and full details.

Electric vehicles

Vehicles powered only by an electric motor require a Fixed Service schedule as follows:

SERVICING AND MAINTENANCE (CONTINUED)

Electric vehicles (continued)

- Inspection service – First after 2 years or 20,000 miles (30,000km), whichever is soonest.
- Subsequent services every 1 year or 20,000 miles (30,000km), whichever is soonest.

Flexible Service

The Flexible Service is recommended for vehicles with daily mileage of more than 25 miles where the vehicle is driven regularly mainly on longer distance journeys. The vehicle is driven mainly at a constant speed with minimum vehicle and engine loading, minimal towing and driven in an economical manner. With the Flexible Service the vehicle can drive up to 18,600 miles⁴ (30,000 km) or 2 years, whichever is soonest, between oil changes.

The service intervals for the Flexible Service schedule on 2021 MY onwards are as follows:

- Oil change service – According to flexible service interval display, 2 years or 18,600 miles (30,000 km), whichever is soonest.
- Inspection service³ – First after 2 years or 18,600 miles (30,000 km), then every 2 years or 18,600 miles (30,000 km), whichever is soonest.

The up! model is only available with the Fixed Service schedule. Flexible Servicing is not available on BEV, PHEV or GTE models. Please consult your authorised Volkswagen retailer or repairer for advice and full details.

Please note: If you purchase a Volkswagen Fixed Price Service Plan your vehicle will follow the Fixed Service schedule.

VOLKSWAGEN ENSURANCE⁵

Get three years' Volkswagen Insurance cover for free.

Another great benefit of being a Volkswagen driver. If your Volkswagen was damaged in an accident, wouldn't you want it fixed by a Volkswagen trained technician using only Genuine Volkswagen Parts? Insurance is Volkswagen's accident and repair cover which does exactly that. It works alongside your main comprehensive motor insurance policy no matter who you are insured with, to make sure you get the quality repair and service you would want. If you're involved in an accident or your car is stolen, just one call to us and we'll look after your claim from start to finish, ensuring your Volkswagen is restored to the highest standard.

Activate your cover and benefit from:

- A guarantee that your Volkswagen will be repaired by a Volkswagen approved repairer and Volkswagen trained technicians, using only Genuine Volkswagen Parts and paints.
- A dedicated Claims Manager who will manage your claim from start to finish, liaising with your insurer and the repairer so you don't have to.
- Help to recover any uninsured losses using our Legal Expenses Cover.
- Online claims tracking so you can keep up to date with the status of any claim.

Volkswagen Insurance is free to all Volkswagen customers for three years and it only takes a minute to get cover.

To find out more and to activate your cover, visit www.insurewithvolkswagen.co.uk/insurance

- 1 Finance is available to 18s and over, subject to status. Terms and conditions apply. Volkswagen Finance.
- 2 Volkswagen Car Insurance is underwritten by U K Insurance Limited. Registered Office: The Wharf, Neville Street, Leeds LS1 4AZ. Registered in England and Wales number: 1179980. U K Insurance Limited is authorised by the Prudential Regulation Authority and regulated by the Financial Conduct Authority (FCA) and the Prudential Regulation Authority. Calls may be recorded. Volkswagen Financial Services is a trading name of Volkswagen Financial Services (UK) Limited ('VWFS UK'), registered in England and Wales number: 2835230 (Registered Office: Brunswick Court, Yeomans Drive, Blakelands, Milton Keynes MK14 5LR). Volkswagen Insurance Service (Great Britain) Ltd. is an appointed representative of VWFS UK. VWFS UK is authorised and regulated by the FCA, registration number: 311988. Authorisation details for both organisations can be checked on the Financial Services Register by visiting www.fca.org.uk. VWFS UK and U K Insurance Limited are not part of the same corporate group.
- 3 The inspection service first at 2 years (or 40,000 miles) and then every second year (or 40,000 miles) has additional workscope.
- 4 The quoted mileage is based on a conversion from kilometres and is therefore unlikely to exceed circa 18,000 miles between oil changes.
- 5 Insurance from Volkswagen Financial Services is sold and administered by Lawshield UK Limited, registered in England number: 3360532. Registered office: Lawshield House, 850 Ibis Court, Lakeside Drive, Centre Park, Warrington, Cheshire, WA1 1RL and underwritten by UK General Insurance Limited on behalf of Great Lakes Insurance SE. Great Lakes Insurance SE is a German insurance company with its headquarters at Königstrasse 107, 80802 Munich. UK Branch office: Plantation Place, 30 Fenchurch Street, London, EC3M 3AJ. Lawshield UK Limited is authorised and regulated by the Financial Conduct Authority (FCA). Authorisation details can be checked on the FCA's register at www.fca.org.uk. Great Lakes Insurance SE, UK Branch, is authorised by Bundesanstalt für Finanzdienstleistungsaufsicht and subject to limited regulation by the Financial Conduct Authority and Prudential Regulation Authority. Details about the extent of their regulation by the Financial Conduct Authority and Prudential Regulation Authority are available on request.



[Configure now >](#)



Volkswagen service (continued).

WARRANTY

Exclusions and terms and conditions apply to all warranties, plans and insurance listed. For pricing and further details of Volkswagen Warranties, Service Plans and Insurance, please consult your authorised Volkswagen retailer or repairer, or visit www.volkswagen.co.uk

THE VOLKSWAGEN WARRANTY THREE-YEAR WARRANTY

All Volkswagen passenger cars come with a three-year/60,000 miles warranty, which protects your car against the failure of most technical and electrical components due to manufacturing defects. This comprises a two-year manufacturer's warranty with unlimited mileage plus a further one-year/60,000 miles (whichever is soonest) Retailer Warranty¹. Should the mileage exceed 60,000 miles within the first two years, the manufacturer's two-year warranty will still be valid. Full details of the three-year warranty are available from your authorised Volkswagen retailer or repairer.

BODY PROTECTION WARRANTY

The internal body sections and panels are covered against rusting through from the inside for 12 years. Naturally, the vehicle must be cared for in compliance with the manufacturer's operating instructions. Please consult your authorised Volkswagen retailer or repairer for full warranty details.

THREE-YEAR PAINTWORK WARRANTY

This latest paintwork warranty, pioneered by Volkswagen, provides you with cover on a new car. Naturally, during the warranty period the car must be cared for in compliance with the manufacturer's operating instructions. Any paintwork defects, as a result of the manufacturing process, will be rectified without charge.

APPROVED ACCESSORIES

A comprehensive range of accessories from alloy wheels to carpet mats is available to complement the factory-fitted option list. Volkswagen approved accessories purchased from and fitted by your authorised Volkswagen retailer at the point of vehicle sale will also benefit from the three-year vehicle warranty.

VOLKSWAGEN BEV EIGHT-YEAR BATTERY WARRANTY

1. A guarantee for eight years or 99,360 miles/ 160,000km (whichever is soonest), on all material or manufacturing defects.
2. Gradual reduction in battery capacity over times is integral to the nature of the component, and does not represent a defect under the terms of this guarantee, as long as the reduction in capacity is not in excess of the value specified for this vehicle in the owner's manual.
3. With the exception of the warranty term, all warranty conditions stipulated by the Volkswagen retailer selling the vehicle (prerequisites, criteria for freedom from defects, exclusions, settlement of claims, entry into force and start of extended warranty term, scope of application etc.) also apply to the high voltage battery.

BEV AND PHEV VEHICLE HOME CHARGING

Home charging using a domestic socket will depend on the condition and suitability of the wiring in your home. Always consult a qualified electrician before charging when using a domestic socket for the first time, or, if the socket is to be used as the primary source of charging. Domestic sockets on the same circuit as other appliances, particularly those in frequent use, will draw additional amperage which may result in a breaker switch being 'tripped'. Establishing a separate circuit for home charging will help ensure your electric vehicle is supplied with a consistent, uninterrupted current. For optimum charging, we recommend installing an electric vehicle charging point at home.

VOLKSWAGEN BEV AND PHEV SPECIALIST RETAILER NETWORK

GTE models are only available for sale through an authorised specialist Volkswagen retailer. These retailers have the ability to provide the highest levels of service when purchasing your GTE model. For details of your nearest authorised specialist Volkswagen retailer, please visit www.volkswagen.co.uk for more details.

PRICES AND SPECIFICATIONS

The prices and specifications contained in this price list are for information purposes only as our products are continually updated and changes may be made to the prices and specifications at any time. If you require any specific feature, please consult your authorised Volkswagen retailer who is regularly updated with any change in specification. Prices and specifications are subject to change without notice.

Following the announcement of a price increase, any vehicle order which can be accepted into the factory production system before the effective date of the price increase will be supplied at the current price, even if built and delivered after the date on which the increase became effective.

Note: We would like to advise you that telephone calls to Volkswagen Customer Care may be monitored and recorded as part of our training and quality assurance processes. All our monitoring and recording processes meet Ofcom regulations.

BENEFIT IN KIND (BIK) FOR SCOTTISH RESIDENTS

Effective as of 6 April 2018, the Scottish Government introduced their own BIK taxation structure. This is only applicable to Company Car Drivers that are resident Scottish taxpayers. HMRC will continue to be responsible for the collection and management of taxes and will determine whether or not an individual is a Scottish taxpayer based on where their primary place of residence is.

Scottish Income Tax rates and Bands 2018/19

- Starter rate 19% over £11,850 - £13,850
- Basic rate of 20% over £13,850 - £24,000
- Intermediate rate 21% over £24,000 - £44,273
- Higher rate 41% over £44,273 - £150,000
- Top rate 46% above £150,000

FUEL CONSUMPTION AND CO₂ EMISSIONS

Fuel consumption and CO₂ figures are obtained under standardised EU test conditions (Directive 93/116/EEC). This allows a direct comparison between different manufacturer models but may not represent the actual fuel consumption achieved in 'real world' driving conditions. More information is available on the Volkswagen website at www.volkswagen.co.uk and at www.dft.gov.uk/vca. The weight of a vehicle will influence the level of CO₂ emissions it produces; as a result, vehicles with higher levels of specification and factory-fitted options may emit higher levels of CO₂. Choosing larger alloy wheels than those fitted as standard may result in increased fuel consumption as well as higher CO₂ emissions and subsequently an increased Vehicle Excise Duty (VED) band. BIK rates paid by company car drivers may also increase. In some instances, the recommended 'On the road' retail price paid for a vehicle may increase as a result of the increased VED rate. CO₂ is the main greenhouse gas responsible for global warming. The specifications contained in this brochure are for information purposes only and are subject to change.

VOLKSWAGEN ROADSIDE ASSISTANCE

Every new car is registered for Volkswagen Roadside Assistance for one year except the Touareg which is registered for three years. This provides vehicle roadside and home recovery in the unlikely event of a breakdown in the UK and Europe (subject to conditions). Volkswagen Roadside Assistance can also be purchased for subsequent years.

Exclusions and terms and conditions apply. For pricing and further details of Volkswagen Roadside Assistance, please consult your authorised Volkswagen retailer, or visit www.volkswagen.co.uk

ADBLUE®

Diesel engines with SCR (Selective Catalytic Reduction) technology require AdBlue® which must be kept topped up. Please see www.volkswagen.co.uk/technology/engines/adblue for more details.



¹ All warranty work must be completed by an authorised Volkswagen retailer or repairer.

Volkswagen service plan.

An additional way to keep your perfect car, perfect for longer.

Exclusions and terms apply, [please click here](#) for more details. For pricing and further details of the Volkswagen Service Plan, please consult your authorised Volkswagen retailer or visit www.volkswagen.co.uk

Volkswagen Service Plan – retail sales only

We offer Volkswagen Service Plans to cover all new models for their first two consecutive services in line with the Fixed Service schedule required on the vehicle. Your car will be in the hands of Volkswagen trained technicians who use specialist Volkswagen tools, technology and Volkswagen original parts, and all parts and labour are guaranteed for two years. What's more, the Volkswagen Service Plan will remain with the vehicle should you decide to sell your car.

Volkswagen Service Plan – retail sales only For vehicles under 1 year old set to the Fixed Service regime that has not had its first service, comprising first two manufacturer's scheduled services:

- 'Oil service' including oil filter change
- 'Oil service' including oil filter change and 'Inspection service' plus a pollen filter replacement (if required)

Excludes electric vehicles. Service plan covers first two consecutive services, limited to 1x 'Oil service' and 1x 'Oil and Inspection service'. T&Cs apply: All vehicles must be set to the Fixed Service regime by the retailer. Maximum age of car is 12 months (Service plan must be taken out before first service is due). Additional work, including wear and tear is excluded. Servicing must be carried out in line with the requirement of the Service Schedule. All work must be carried out by an Authorised Volkswagen Repairer. Offers may be varied or withdrawn at any time. Plan validity is dependent on required payments received. Administered by Volkswagen Financial Services. Retail sales only. For pricing and further details, please consult your authorised Volkswagen retailer or visit www.volkswagen.co.uk



Interior shown is Passat R-Line with optional Discover Navigation Pro infotainment system, Active Info Display and metallic signature paint.



Model shown is Passat SEL with optional 'IQ. Light' LED matrix headlights, 17" 'London' alloy wheels, panoramic sunroof and metallic paint.

The Passat and Passat Estate

Issued by Volkswagen Marketing, Volkswagen (UK)
© Volkswagen Group United Kingdom Limited 2021
Issue: 23 February 2021

Volkswagen Information Service
Telephone: 0800 333 666
Internet: www.volkswagen.co.uk

Volkswagen Fleet Business Centre
Telephone: 0800 0093 397
Internet: www.volkswagen.co.uk/offers-and-finance/fleet

This brochure can be viewed or downloaded in pdf format at:
www.volkswagen.co.uk

Prices, specifications, features, technical and other information (including fuel consumption, CO₂ emissions and range) are updated regularly and are subject to change without notice (this may include changes between order and delivery). There may be a delay in updates to our materials – always consult your authorised Volkswagen retailer for the latest information.



facebook.com/VolkswagenUK



[@UKVolkswagen](https://twitter.com/@UKVolkswagen)



youtube.com/user/ukvolkswagen



volkswagen_uk