

Q8

The new Audi Q8.

Bold, luxurious and sporty: meet the new face of the Audi Q family. The fusion of dynamic coupé styling with the presence of a large SUV, the Audi Q8 combines the best of both.

Announcing itself with a wide stance and a sweeping roofline, its appearance exudes sportiness. Yet with quattro all-wheel drive and high ground clearance, it can continue even when paved roads end. Inside, up to 5 passengers travel in style; clean lines and luxurious seats keep the cabin calm and simple, with dual touch screens that blend seamlessly into the minimal dashboard. Combine its design and performance with its advanced, intelligent technologies and strong, yet efficient, mild hybrid engine, and it's no exaggeration to say that the Audi Q8 redefines the SUV.



Contents

This pricelist is designed to take you logically through the features and options available for the new Audi Q8. But if you'd like to go straight to a particular section, simply click on the relevant page number below.

Page 4 Model choice

Q8 S line Page 4
Q8 Vorsprung Page 6

Page 8 Model pricing

Q8 S line Page 8
Q8 Vorsprung Page 8

Page 9 Paint

Page 16 Inlays

Page 22 City Assist Pack

Page 27 Financing your Audi

Page 11 Wheels

Page 17 Interior equipment

Page 23 Trailer Pack

Page 28 Technical data and dimensions

Page 12 Performance and suspension

Page 19 Comfort and Sound Pack

Page 24 Technology Driver assistance

Technical data Q8 Page 28

Dimensions Q8 Page 29

Page 13 Exterior equipment

Page 20 Technology Audio and communication

Page 25 Audi warranty

Page 30 Important information

Page 14 Seats

Page 21 Tour Pack

Page 26 Audi configurator

Q8 S line

Key features that come as standard

The Q8 S line gives the Audi Q8 a bold appearance, with stylish detailing that includes 21" alloy wheels and privacy glass. It also offers more advanced features, such as Audi HD Matrix LED headlights with front and rear light animations – plus adaptive air suspension that provides high levels of comfort combined with agile handling ensuring a drive that's as smooth as it is responsive.

Wheels

- ▶ 21" x 10.0J '5-segment-spoke' design alloy wheels with 285/45 R21 tyres
- ▶ Tool kit
- ▶ Tyre repair kit
- ▶ Anti-theft wheel bolts and wheel loosening detection

Performance and suspension

- ▶ Adaptive air Sport suspension – electronically controlled air suspension with continuously adaptive damping system for all 4 wheels, which regulates ride height and damping automatically
- ▶ quattro all-wheel drive with self-locking centre differential – permanent all-wheel drive with dynamic torque distribution works using a self-locking centre differential and wheel-selective torque control
- ▶ Audi Drive Select – features 5 modes (Auto, Comfort, Dynamic, Efficiency, and Individual). These modes allow the driver to electronically adjust the engine, transmission and steering
- ▶ 48 volt Mild Hybrid – Mild Hybrid technology adds hybrid functions to conventional TDI engines

Lighting

- ▶ Audi HD Matrix LED headlights and dynamic front and rear indicators with Coming and Leaving Home animations – Audi HD Matrix LED technology provides precise and higher-resolution illumination of the road whilst reducing the risk of dazzling other road users. The Coming and Leaving Home function displays unique animations within the front and rear lights when the car is locked and unlocked
- ▶ Signature LED daytime-running lights
- ▶ Headlight washers

Exterior equipment

- ▶ S line styling:
 - ▶ S line bumpers, side ventilation grilles, side skirts and roof spoiler
 - ▶ Platinum grey front spoiler lip and diffuser insert with honeycomb grid in black
 - ▶ S line badges on front wings
- ▶ Privacy glass – dark-tinted rear and rear-side windows (from B-pillar backwards)
- ▶ Aluminium window trim
- ▶ Power-operated tailgate
- ▶ Door mirrors – electrically adjustable, heated, folding and auto-dimming with memory function. Also includes integrated LED side indicators and kerb-view function for the passenger side

Seats

- ▶ Front Sport seats with 'S' embossed logo in leather and Alcantara – electrically adjustable with driver's seat memory functionality
- ▶ Heated front seats

Inlays

- ▶ Inlays in darkened Matt brushed aluminium
- ▶ Operating buttons in black

Interior equipment

- ▶ 3-spoke leather multi-function steering wheel – with shift paddles
- ▶ Illuminated door sill trims with S logo
- ▶ Cloth headlining in black
- ▶ Pedals in stainless steel
- ▶ 2-zone automatic climate control
- ▶ Leather gear lever
- ▶ LED Interior Ambient Lighting Pack
- ▶ Auto-dimming and frameless rear-view mirror
- ▶ Comfort front centre armrest
- ▶ Front and rear floor mats

Q8 S line continued

Audio and communication

- ▶ MMI Navigation Plus with MMI Touch – includes the following:
 - ▶ 10.1” full HD touch screen (top screen)
 - ▶ 8.6” full HD touch screen (bottom screen)
 - ▶ 3D city models with realistic building texture and road lane illustration for selected cities
 - ▶ Country-specific information
 - ▶ Online map updates (includes 5 free updates)
 - ▶ Detailed route information
 - ▶ Personal route assistance
 - ▶ Haptic touch
- ▶ Audi Virtual Cockpit – 12.3” high-resolution LCD display. The fully digital instrument cluster is customisable by the driver. All the functions and services are depicted using superb graphics with a 3D impression and detailed effects in brilliant clarity
- ▶ Audi Sound System:
 - ▶ 6-channel amplifier
 - ▶ 180 watt amplifying capacity
 - ▶ 10 loudspeakers including subwoofer
- ▶ Audi Connect (36-month subscription)
- ▶ Audi Connect Safety and Service (e-call)
- ▶ Audi Smartphone Interface[†]
- ▶ Audi Music Interface – 2 USB ports with charge and data functions
- ▶ Natural voice recognition – lets you control your Q8’s technology in a more intuitive way, recognising a wider range of conversational commands for a more natural interaction between car and driver
- ▶ DAB digital radio
- ▶ Audi Phone Box with wireless charging – offers wireless charging (with Qi-enabled compatible phones) and creates an additional Bluetooth interface for a second device, meaning 2 mobile phones can be connected to the vehicle simultaneously. For mobile phone and software version compatibility, please visit your Audi Centre or www.audi.co.uk/phonecompatibility

Driver assistance

- ▶ Audi Pre-sense Front – monitors the traffic in front of the vehicle for potential collision hazards. The system provides multiple levels of driver support. The first is a warning signal, and the second a warning jerk caused by brief braking
- ▶ Lane departure warning – helps, within the system limits, to prevent unintentional departure from the lane. When the system is active and operational, and if the driver has not turned on the indicator, the lane departure warning performs corrective steering interventions to prevent the vehicle traversing from the lane. Operating range from approximately 37mph to a maximum of 155mph[^]
- ▶ Parking System Plus (front and rear sensors) – acoustic and visual park assist system for the front and rear
- ▶ Rear-view camera – an image of the area behind the vehicle is shown on the MMI display, with dynamic display modes highlighting the calculated path (steer-angle dependent). The reversing camera is concealed in the handle strip of the luggage compartment lid
- ▶ Cruise control with speed limiter
- ▶ Keyless go
- ▶ Hill-hold assist – holds the vehicle stationary for unlimited periods after stopping on uphill and downhill gradients

Safety and security

- ▶ Anti-theft alarm with tow-away protection
- ▶ Side airbags, front and rear, including head airbag system
- ▶ First aid kit with warning triangle
- ▶ ISOFIX child seat mounting and Top Tether with front passenger airbag deactivation

[†]Audi Smartphone Interface uses Apple CarPlay, which is available with iPhone 5 and above, or Android Auto, which is available with phones using Android 5.0 Lollipop or above and requires the download of the Android Auto app. Availability of applications differs by operating system and is dependent on approval by Apple or Google. An up-to-date list of approved apps is available on the relevant systems’ websites. Permanent availability cannot be guaranteed as this is the responsibility of Apple and Google. Use of certain apps with Smartphone Interface will be subject to signal availability of the mobile network in your location and in-car usage may increase your mobile data usage. If using regularly, a mobile phone contract including an unlimited or high amount of data is recommended.

[^]Where the law permits.

Q8 Vorsprung

Key features that come as standard

The Vorsprung trim accentuates the opulent luxury and style of the Audi Q8, with unique black styling elements, 22" alloy wheels, soft Valcona leather with a diamond stitched pattern, panoramic glass sunroof and the latest in driver assistance systems to help you park, save fuel and, most importantly, stay safe.

Wheels

- ▶ 22" x 10.0J '5-V-spoke star' design in gloss anthracite black alloy wheels with 285/40 R22 tyres

Performance and suspension

- ▶ All-wheel steering

Exterior equipment

- ▶ Titanium Black Styling Pack – front radiator grille frame and styling accents on front bumper in Titanium black, and side window trims in High-gloss black
- ▶ Titanium black door mirrors (if ordered in Night black (A1) or Orca black (2T), door mirror housing is in body colour)
- ▶ Panoramic glass sunroof
- ▶ Power door closure – comfortable and secure door closure

Seats

- ▶ Front Super Sport seats with 'S' embossed logo in Valcona leather
- ▶ Heated front and rear seats
- ▶ Electrically adjustable front seats with memory function for the driver's and front passenger's side

Interior equipment

- ▶ Flat-bottomed 3-spoke leather multi-function steering wheel with shift paddles
- ▶ 4-zone deluxe automatic climate control
- ▶ Rear bench seat plus
- ▶ Extended Leather Pack – includes leather to match chosen seat colour and stitching, in the following areas:
 - ▶ Top side of instrument panel
 - ▶ Armrests in doors
 - ▶ Door rails
 - ▶ Centre console trim
- ▶ Electrically adjustable steering column with memory functionality – adjustable for height and reach with auto easy-entry and exit function
- ▶ Alcantara headlining
- ▶ Double sun visor
- ▶ Electric sunblind for rear door windows
- ▶ Manual sunblind for rear window
- ▶ Electric luggage compartment
- ▶ Multi-coloured Extended LED Interior Lighting Pack

Audio and communication

- ▶ Head-up display
- ▶ Bang & Olufsen Premium Sound System – sound reproduction via 17 loudspeakers, including 3D sound speakers, centre speaker and subwoofer, 16-channel amplifier with a total output of 730 watts
- ▶ Audi Music Interface in the rear – 2 USB ports with charge and data functions and 2 additional ports in the front

Q8 Vorsprung continued

Driver assistance

- ▶ Adaptive Cruise Assist – supports the driver when accelerating, braking, maintaining distances, and with steering in the range of 0–155mph.* Within the system limits, the system detects the lane markings, structures next to the road, vehicles in adjacent lanes and multiple vehicles ahead. The system can be adjusted in single and 5mph increments between 19mph and 155mph.* The system will keep the vehicle in the centre of the lane and maintain speed and distance, or adjust the speed to the situation. This is all made possible by the radar sensor, laser scanner, front camera and ultrasonic sensors that permanently monitor the vehicle surroundings. Using information such as speed restrictions, the MMI Navigation Plus with MMI Touch uses the data from the predictive efficiency assistant to control speed even when there are no vehicles ahead, encouraging economical driving
- ▶ Audi Pre-sense Basic – where necessary, actions are taken to help protect the driver and passengers if a potential collision is detected. Includes the following:
 - ▶ Seat belt tightening for front and rear
 - ▶ Closing the windows
 - ▶ Closing the panoramic sunroof (if fitted)
- ▶ Audi Pre-sense Rear – monitors vehicles following from behind, and if a potential collision is detected, the driver is first warned visually via a flashing light. If a collision is unavoidable actions are taken, in line with Audi Pre-sense Basic, to protect the occupants. The system is deactivated when towing
- ▶ Lane departure warning with emergency assist – helps, within the system limits, to prevent unintentional departure from the lane. When the system is active and operational, and if the driver has not given a turn signal, the lane departure warning performs corrective steering interventions to prevent the vehicle traversing the recognised lane boundary lines. Operating range from approximately 37mph to a maximum of 155mph.* The emergency assist detects, within system limits, when the driver is inactive. When this happens, it warns the driver visually, acoustically, and haptically. If no response is received, the system takes over vehicle guidance and brings it to an automatic standstill in its own lane, activating Audi Pre-sense Basic measures. An automatic emergency call is placed, if available
- ▶ Advanced key – access and authorisation system that works through automatic data exchange between key and vehicle, allowing the driver to keep the car key in their pocket or bag at all times. To unlock and open, simply lift the exterior door handle, use a kicking motion underneath the car at the rear of the vehicle or hold down the convenience key. The luggage compartment lid can also be opened when the vehicle is locked
- ▶ Predictive efficiency assistant – the system uses navigation data (e.g. speed limits, traffic signs, road bends, junctions and roundabouts) to give the driver efficiency advice in the Audi Virtual Cockpit. In conjunction with Adaptive Cruise Assist, the system uses the route data and speed limits to adjust the desired speed and cornering accordingly. The system activates coasting mode or engine braking, which can help reduce fuel consumption and enhance ride comfort
- ▶ 360° camera – wide-angle lenses cover the close-range area around the vehicle. The driver can choose between different image representations in the touch screen, including a live ‘bird’s-eye view’, a view of the front and rear wheels, front camera view or panoramic front and rear view. The 360° camera is activated when reverse gear is selected or via a button on the virtual switch panel
- ▶ Camera-based traffic sign recognition – speed limit and traffic sign display via the Audi Virtual Cockpit and head-up display. Detects the following signs: speed limits (including temporary limits) and overtaking restrictions. Up to 3 traffic signs can be displayed in the Audi Virtual Cockpit at any one time
- ▶ Audi Side Assist – when activated, the system aids the driver when changing lanes. Audi Side Assist monitors the area behind the vehicle informing the driver with a visual warning signal in the door mirror, if there is a vehicle in their blind spot or approaching quickly from behind. In the event of the driver starting a lane change with a warning in effect, the warning LED will flash 4 times. In conjunction with the departure warning, corrective steering intervention can be performed in critical situations
- ▶ Cross-traffic assist front – within system limits, warns the driver of traffic crossing in front or to the side of the vehicle, using vehicle sensors. The system first alerts the driver visually and then acoustically via the MMI. A brake jolt is applied if a potential collision is detected. The system can also assist the driver at crossings and exits with poor visibility, and warn against a possible collision with oncoming traffic detected from the side
- ▶ Collision avoidance assistant – supports the driver’s actions during an avoidance manoeuvre, reducing the likelihood of a collision or of swerving off the road. The system provides additional steering torque and uses the vehicle sensors to calculate the optimum path of avoidance
- ▶ Turn assist – when turning at junctions, from the moment the turn indicators are activated, the turn assist system detects approaching vehicles and applies braking to help avoid a collision

*Where the law permits.

Q8 S line

Engine	Fuel type	Power	Transmission	CO ₂ g/km*	RRP inc VAT**	Recommended OTR**
50 TDI quattro	Diesel	286PS	8-speed tiptronic	178	£63,115	£65,040






Q8 Vorsprung

Engine	Fuel type	Power	Transmission	CO ₂ g/km*	RRP inc VAT**	Recommended OTR**
50 TDI quattro	Diesel	286PS	8-speed tiptronic	178	£81,115	£83,040

*Choice of wheels and other options may affect fuel consumption and emissions data. This may lead to a change to the Vehicle Excise Duty (VED) amount payable. Please refer to pages 11, 28 and 30. Standard EU figures for comparative purposes. May not reflect real driving results.

**Recommended Retail Price (RRP) includes VAT at 20%, which may be subject to change. Please see page 31 for an explanation on Recommended On-The-Road (OTR) retail prices and VED rates.



Paint

			S line	Vorsprung	Total RRP inc VAT*
A1		Night black, solid	S	S	£0
0Q		Pure white, solid	S	S	£0
L5		Floret silver, metallic	•	•	£750
2T		Orca black, metallic	•	•	£750
2Y		Glacier white, metallic	•	•	£750
S1		Galaxy blue, metallic	•	•	£750

Options are subject to availability and may extend time taken for delivery.
 All the colour swatches on this page are matched as accurately as possible to the actual paint colours used. Audi UK cannot guarantee that colours shown are 100% accurate.
 Visit your local Audi Centre for a more accurate colour swatch.
 *Total RRP inc VAT – Recommended Retail Price including VAT which is calculated at 20%. This may alter to reflect any change in the applicable VAT rate.

-- = Not available • = Available S = Standard






Paint continued

			S line	Vorsprung	Total RRP inc VAT*
2D		Navarra blue, metallic	•	•	£750
Y4		Dragon orange, metallic	•	•	£750
6Y		Daytona grey, pearl effect	•	•	£750

Options are subject to availability and may extend time taken for delivery.
 All the colour swatches on this page are matched as accurately as possible to the actual paint colours used. Audi UK cannot guarantee that colours shown are 100% accurate.
 Visit your local Audi Centre for a more accurate colour swatch.
 *Total RRP inc VAT – Recommended Retail Price including VAT which is calculated at 20%. This may alter to reflect any change in the applicable VAT rate.

-- = Not available • = Available S = Standard

Wheels

			S line	Vorsprung	Total RRP inc VAT*
CY2		21" x 10.0J '5-segment-spoke' design alloy wheels with 285/45 R21 tyres	S	-	£0
CX2		22" x 10.0J '5-V-spoke star' design alloy wheels in gloss anthracite black with 285/40 R22 tyres	-	S	£0
C7F		21" x 10.0J '5-V-spoke S' design, contrasting grey, partly polished alloy wheels with 285/45 R21 tyres	•	-	£250
CZ4		21" x 10.0J '5-arm star' design, contrasting grey, partly polished alloy wheels with 285/45 R21 tyres	•	-	£250
U03		22" x 10.0J '5-parallel-spoke' design, contrasting grey, partly polished alloy wheels with 285/40 R22 tyres	•	-	£1,500
			-	•	£0

Options are subject to availability and may extend time taken for delivery.

Choice of wheels and other options may affect fuel consumption and emissions data. This may lead to a change to the Vehicle Excise Duty (VED) amount payable. Please refer to pages 29 and 31.

Standard EU figures for comparative purposes. May not reflect real driving results.

*Total RRP inc VAT – Recommended Retail Price including VAT which is calculated at 20%. This may alter to reflect any change in the applicable VAT rate.

- = Not available • = Available S = Standard

Performance and suspension

		S line	Vorsprung	Total RRP inc VAT ⁺
0N5	<p>All-wheel steering Improves the driving dynamics and the driving comfort as a result of additional steerability of the rear axle. At lower speeds, the rear axle self-steers oppositely to the steering angle of the front axle. This results in higher agility and a smaller steering angle, making manoeuvring easier, especially in tight bends and when parking. At higher speeds, steering in the same direction improves the responsiveness, as well as the driving dynamics, cornering and vehicle stability. All-wheel steering supports the parking and manoeuvring processes of Park assist and Trailer assist</p>	•	S	£1,950

Options are subject to availability and may extend time taken for delivery.

⁺Total RRP inc VAT – Recommended Retail Price including VAT which is calculated at 20%. This may alter to reflect any change in the applicable VAT rate.

– = Not available • = Available S = Standard

Exterior equipment

		S line	Vorsprung	Total RRP inc VAT ⁺
3FU	Panoramic glass sunroof Comprises of 2 sections, whereby the front glass section can be either tilted or slid open, and closed again electrically	•	S	£1,750
GZ2	Power door closure Comfortable and secure door closure. Doors are automatically pulled into the lock when not fully latched	•	S	£675
2Z0	Deletion of model and technology designation at rear	•	•	£0
2Z7	Deletion of technology designation at rear	•	•	£0
3S1	Aluminium roof rails	•	-	£400
3S2	Black roof rails	-	•	£400

Options are subject to availability and may extend time taken for delivery.

⁺Total RRP inc VAT – Recommended Retail Price including VAT which is calculated at 20%. This may alter to reflect any change in the applicable VAT rate.

- = Not available • = Available S = Standard

Front Sport seats with ‘S’ embossed logo Q1D

Front Sport seats come with side bolsters shaped for additional support. They are electrically adjustable for forwards and backwards position, seat depth, seat height and angle, and backrest angle. Headrest height and distance, and seat belt height can also be set manually. There is also electric 4-way lumbar support adjustment, and memory functionality for the driver’s seat.

		S line	Vorsprung	Total RRP inc VAT*
N7K	Front Sport seats with leather and Alcantara. Seat side bolsters, headrest centre panel and centre armrests in leather. Seat centre panel and door trim inserts in Alcantara. Includes contrasting stitching – see below for details	S	–	£0
N1V	Front Sport seats with Valcona leather. Seat centre panel, seat side bolsters, headrests, centre armrest and front centre armrests in Valcona leather. Door trim inserts in Alcantara. Includes contrasting stitching – see below for details. Only in combination with Rear bench seat plus (3NS)	•	–	£1,250
Front Sport seats with ‘S’ embossed logo colour choices		Leather and Alcantara	Valcona leather	
EI	Black upholstery with Grey stitching. Headlining in Black. Upper and lower dashboard in Black, carpet in Black	•	•	
OQ	Rotor grey upholstery with Anthracite stitching. Headlining in Black. Upper and lower dashboard in Black, carpet in Black	•	–	

Options are subject to availability and may extend time taken for delivery.

*Total RRP inc VAT – Recommended Retail Price including VAT which is calculated at 20%. This may alter to reflect any change in the applicable VAT rate.

– = Not available • = Available S = Standard

Super Sport seats with ‘S’ embossed logo Q4Q

Super Sport seats come in a sporty diamond-stitched design. They are electrically adjustable for forwards and backwards position, seat height, backrest angle, seat cushion angle and thigh support. With pneumatic adjustment of seat and backrest bolsters, as well as lumbar support. There is manual adjustment for seat belt height. Also features an embossed ‘S’ logo on the front backrest.



		S line	Vorsprung	Total RRP inc VAT ⁺
NOQ	Super Sport seats with Valcona leather. Seat centre panel, seat side bolsters, headrests, centre armrest and front centre armrests in Valcona leather. Door trim inserts in Alcantara. Includes contrasting diamond stitching – see below for details. Only in combination with Rear bench seat plus (3NS)	•	S	£2,250
Super Sport seats with ‘S’ embossed logo colour choices				Valcona leather
EI	Black upholstery with Grey stitching. Headlining in Black. Upper and lower dashboard in Black, carpet in Black		•	
OQ	Rotor grey upholstery with Anthracite stitching. Headlining in Black. Upper and lower dashboard in Black, carpet in Black		•	

Options are subject to availability and may extend time taken for delivery.

⁺Total RRP inc VAT – Recommended Retail Price including VAT which is calculated at 20%. This may alter to reflect any change in the applicable VAT rate.

– = Not available • = Available S = Standard

Inlays

			S line	Vorsprung	Total RRP inc VAT*
5TG		Darkened Matt brushed aluminium For dashboard, door trims and centre console	S	S	£0
7TM		Polished oak with Grey finish For dashboard, door trims and centre console	•	•	£900

Options are subject to availability and may extend time taken for delivery.
 All the inlay swatches on this page are matched as accurately as possible to the actual inlay colours used. Audi UK cannot guarantee that colours shown are 100% accurate.
 Visit your local Audi Centre for a more accurate colour swatch.
 *Total RRP inc VAT – Recommended Retail Price including VAT which is calculated at 20%. This may alter to reflect any change in the applicable VAT rate.

-- = Not available • = Available S = Standard

Interior equipment

		S line	Vorsprung	Total RRP inc VAT ⁺
QQ2	Multi-coloured Extended LED Interior Lighting Pack Includes lighting in the following areas: ▶ Front and rear door pockets ▶ Front and rear door contour lighting ▶ Ambient contour lighting of front centre console ▶ Contour lighting including illuminated quattro logo in the dashboard on the passenger side ▶ Ambient lighting of dashboard 6 predefined colour profiles with an additional interactive and custom colour profile. The interactive colour profile is controlled by the Audi Drive Select mode, with a choice of 30 available colours for the individual colour profile	•	S	£275
7HL	Extended Leather Pack Includes leather to match chosen seat colour, with contrasting stitching, in the following areas: ▶ Upper instrument panel ▶ Door armrests ▶ Door rails ▶ Centre console Only in combination with sunblinds for rear door windows and rear window (3Y6)	•	S	£3,500
3Y6	Sunblinds for rear door windows and rear window Electric sunblind for rear door windows and manual sunblind for rear window	•	S	£600
9AQ	4-zone deluxe automatic climate control In addition to 2-zone automatic climate control: ▶ Air-conditioning controls with touch operation ▶ Temperature setting and air distribution in rear can be adjusted separately ▶ Air outlets in the B-pillar ▶ Efficient, zoned air conditioning is possible through occupant detection	•	S	£825
3CX	Removable net partition Located between rear seats and rear luggage compartment. Can be used with rear seatback in upright position, 1 side folded down, or completely folded down	•	•	£100
3GN	Load-area fixing kit Includes fixing set for the rail system in the luggage compartment, with telescopic bar and securing belt for dividing up luggage compartment	•	•	£275
6SJ	Reversible mat Carpet on 1 side, rubber on the other. Folds out to cover the luggage compartment, even with the rear seats folded down	•	•	£115

Options are subject to availability and may extend time taken for delivery.

⁺Total RRP inc VAT – Recommended Retail Price including VAT which is calculated at 20%. This may alter to reflect any change in the applicable VAT rate.

– = Not available • = Available S = Standard

Interior equipment continued

		S line	Vorsprung	Total RRP inc VAT ⁺
1XP	Heated 3-spoke leather multi-function steering wheel – with shift paddles If selected on Q8 Vorsprung this will replace the flat-bottomed 3-spoke leather multi-function Sport steering wheel (2PF)	•	•	£350
2PF	Flat-bottomed 3-spoke leather multi-function Sport steering wheel – with shift paddles	•	S	£375
2C7	Electrically adjustable steering column Adjustable in height and reach with automatic entry and exit functions, includes memory functionality for steering wheel adjustment	•	S	£425
4A4	Heated front and rear seats Only in combination with 4-zone deluxe automatic climate control (9AQ)	•	S	£400
PV6	Driver and front passenger memory function for the electrically adjustable front seats	•	S	£250
4D8	Front seat ventilation with massage function ► Massage of muscular system with 10 pneumatic cushions ► 7 different programmes (Wave, Tap, Stretch, Recover, Shoulder, Empower and Vitalised) at 3 intensity levels ► The massage function can be switched on and off via a lumbar support button with an integrated massage direct button ► Programmes and intensities can be adjusted using the MMI. Only in combination with Super Sport seats with Valcona Leather (Q4Q, N0Q)	•	•	£1,600
3NS	Rear bench seat plus Backrest can be tilted in the ratio 40:20:40 or fully (flat-loading floor): ► Including manual seat back angle adjustment in the ratio 40:20:40 ► Including ISOFIX for 2 seats and top tether child seat mounting for all 3 seats ► Seat cushion displaceable by 100mm in the ratio 60:40	•	S	£350

Options are subject to availability and may extend time taken for delivery.

⁺Total RRP inc VAT – Recommended Retail Price including VAT which is calculated at 20%. This may alter to reflect any change in the applicable VAT rate.

– = Not available • = Available S = Standard

Comfort and Sound Pack

A pack that adds value by combining some of our most popular options – designed to offer convenience, as well as enhance your driving comfort, and sound experience.

Bang & Olufsen Premium Sound System

- ▶ Sound reproduction via 17 loudspeakers, including 3D sound speakers, centre speaker and subwoofer, 16-channel amplifier with a total output of 730 watts
- ▶ Spatial sound reproduction thanks to the 3D sound feature for the front seats. This is generated by additional full-range loudspeakers in the A-pillar, the mid-range speakers, and the Fraunhofer Symphoria® technology. The 3D sound can be generated from all sources. This creates an exceptionally authentic 3D surround experience, giving occupants a first-row concert hall experience

Multi-coloured Extended LED Interior Lighting Pack

Coloured ambient lighting in the following areas is included in addition to the LED Interior Lighting Pack:

- ▶ Front and rear door pockets
 - ▶ Front and rear door contour lighting
 - ▶ Ambient contour lighting of front centre console
 - ▶ Contour lighting, including illuminated quattro logo in the dashboard passenger side
 - ▶ Ambient lighting of dashboard
- 6 predefined colour profiles with an additional interactive and custom colour profile. The interactive colour profile is controlled by the Audi Drive Select mode, with a choice of 30 available colours for the individual colour profile

Advanced key

Access and authorisation system that works through automatic data exchange between key and vehicle, allowing the driver to keep the car key in their pocket or bag at all times. To unlock and open, simply lift the exterior door handle or hold down the convenience key. The luggage compartment lid can also be opened when the vehicle is locked

360° camera

Wide-angle lenses cover the close-range area around the vehicle. The driver can choose between different image representations in the touch screen, including a live 'bird's-eye view', a view of the front and rear wheels, front camera view or panoramic front and rear view. The 360° camera is activated when reverse gear is selected or via a button on the virtual switch panel

Electric luggage compartment cover

		S line	Vorsprung	Total RRP inc VAT*
WB2	Comfort and Sound Pack	•	S	£1,895

Options are subject to availability and may extend time taken for delivery.

*Total RRP inc VAT – Recommended Retail Price including VAT which is calculated at 20%. This may alter to reflect any change in the applicable VAT rate.

– = Not available • = Available S = Standard

Technology Audio and communication

		S line	Vorsprung	Total RRP inc VAT ⁺
PMB	Bang & Olufsen Premium Sound System ▶ 17 speakers, including 3D sound speakers, centre speaker and subwoofer ▶ 16-channel amplifier with a total output of 730 watts ▶ Spatial 3D sound reproduction	•	S	£1,150
8RF	Bang & Olufsen 3D Advanced Sound System ▶ 23 speakers, including 3D sound speakers, centre speaker and subwoofer, each with their own amplifier and aluminium speaker covers ▶ 23-channel amplifier with a total output of 1,920 watts, fully digitised with highly efficient ICEPower amplifier ▶ Spatial 3D sound reproduction ▶ 2 automatically extending acoustic lenses on the instrument panel and Digital Signal Processor (DSP) for excellent sound at every seat ▶ Sound can be customised for the seat positions of the vehicle occupants ▶ Privacy feature shields music and phone calls from outside ▶ System automatically adapts to the vehicle and background noise Only in combination with Panoramic glass sunroof (3FU)	•	–	£6,400
		–	•	£5,600
		•	–	£5,600
	In combination with Comfort and Sound Pack (WB2)			
QU1	Digital TV reception	•	•	£1,200
UF8	Audi Music Interface in the rear 2 USB ports with charge and data functions and 2 additional ports in the front. Only in combination with 4-zone deluxe automatic climate control (9AQ)	•	S	£175

Options are subject to availability and may extend time taken for delivery.

⁺Total RRP inc VAT – Recommended Retail Price including VAT which is calculated at 20%. This may alter to reflect any change in the applicable VAT rate.

– = Not available • = Available S = Standard

Tour Pack

With busier roads than ever, Audi technology can keep an extra eye out. This pack brings together the driver assistance systems that support long-distance driving, especially when driving in congestion and varying average speed limit zones. As well as helping you to drive more efficiently, the pack also includes advanced safety systems.

Adaptive Cruise Assist

Supports the driver when accelerating, braking, maintaining distances, and with steering in the range of 0–155mph.* Within the system limits, the system detects the lane markings, structures next to the road, vehicles in adjacent lanes and multiple vehicles ahead. The system can be adjusted in single and 5mph increments between 19mph and 155mph.* The system will keep the vehicle in the centre of the lane and maintain speed and distance, or adjust the speed to the situation. This is all made possible by the radar sensor, laser scanner, front camera and ultrasonic sensors that permanently monitor the vehicle surroundings. Using information such as speed restrictions, the MMI Navigation Plus with MMI Touch uses the data from the predictive efficiency assistant to control speed even when there are no vehicles ahead, encouraging economical driving

Predictive efficiency assistant

The system uses navigation data e.g. speed limits, traffic signs, road bends, junctions and roundabouts to give the driver efficiency advice in the Audi Virtual Cockpit. In conjunction with Adaptive Cruise Assist, the system uses the route data and speed limits to adjust the desired speed and cornering accordingly. The system activates coasting mode or engine braking, which can help reduce fuel consumption and enhance ride comfort

Audi Pre-sense Basic

Where necessary, actions are taken to help protect the driver and passengers if a potential collision is detected. Includes the following:

- ▶ Seat belt tightening for front and rear
- ▶ Closing the windows
- ▶ Closing the panoramic sunroof (if fitted)

Camera-based traffic sign recognition

Speed limit and traffic sign display via the Audi Virtual Cockpit detects speed limits (including temporary limits) and overtaking restrictions. Within system limits, driving conditions are also displayed when driving in wet conditions. Up to 3 traffic signs can be displayed in the Audi Virtual Cockpit at any one time

Collision avoidance assistant

Supports the driver's actions during an avoidance manoeuvre, reducing the likelihood of a collision or of swerving off the road. The system provides additional steering torque and uses the vehicle sensors to calculate the optimum path of avoidance

Turn assist

When turning at junctions, from the moment the turn indicators are activated, the turn assist system detects approaching vehicles and applies braking to help avoid a collision

Lane departure warning with emergency assist

Helps, within the system limits, to prevent unintentional departure from the lane. When the system is active and operational, and if the driver has not turned on the indicator, the lane departure warning performs corrective steering interventions to prevent the vehicle traversing from the lane.

The driver may select an additional steering wheel vibration as desired. Operating range from approximately 37mph to a maximum of 155mph.* The emergency assist detects, within system limits, when the driver is inactive. When this happens, it warns the driver visually, acoustically, and haptically. If no response is received, the system takes over vehicle guidance and brings it to an automatic standstill in its own lane. This activates Audi Pre-sense Basic protective measures and prepares the vehicles for occupant rescue. An automatic emergency call is placed, if available

		S line	Vorsprung	Total RRP inc VAT ⁺
PCN, 7W1 QR9, 6I6	Tour Pack	•	S	£1,950

Options are subject to availability and may extend time taken for delivery.

Vehicle driver assistance and safety systems are not a substitute for attentive driving. Drivers retain full responsibility for providing the necessary inputs for safe control of the vehicle.

System descriptions within this pricelist are provided for information purposes only. System limitations and operational requirements apply. See manual for details.

*Where the law permits.

⁺Total RRP inc VAT – Recommended Retail Price including VAT which is calculated at 20%. This may alter to reflect any change in the applicable VAT rate.

– = Not available • = Available S = Standard

City Assist Pack

Like your sixth sense on the road ahead, this pack brings together a suite of highly advanced systems – smart technologies that, within system limits, can detect, and even step in when necessary, to help prevent a collision.

Audi Side Assist

When activated, the system aids the driver when changing lanes. Audi Side Assist monitors the area behind the vehicle informing the driver with a visual warning signal in the door mirror, if there is a vehicle in their blind spot or approaching quickly from behind. In the event of the driver starting a lane change with a warning in effect, the warning LED will flash 4 times. In conjunction with the departure warning, corrective steering intervention can be performed in critical situations

Audi Pre-sense Basic

Where necessary, actions are taken to help protect the driver and passengers if a potential collision is detected. Includes the following:

- ▶ Seat belt tightening for front and rear
- ▶ Closing the windows
- ▶ Closing the panoramic sunroof (if fitted)

Audi Pre-sense Rear

Monitors vehicles following from behind, and if a potential collision is detected, the driver is first warned visually via a flashing light. If a collision is unavoidable actions are taken, in line with Audi pre-sense Basic, to protect the occupants. The system is deactivated when towing

Cross-traffic assist front

Within system limits, warns the driver of traffic crossing in front or to the side of the vehicle, using vehicle sensors. The system first alerts the driver visually and then acoustically via the MMI. A brake jolt is applied if a potential collision is detected. The system can also assist the driver at crossings and exits with poor visibility, and warn against a possible collision with oncoming traffic detected from the side

Cross-traffic assist rear

Warns the driver of traffic crossing behind their own vehicle when starting to reverse without having a clear view of the situation (e.g. perpendicular parking space with restricted view or narrow driveway). The system alerts the driver first visually and then acoustically via the MMI, and can apply a brake jolt if a potential collision is detected

Exit warning

Warns the driver of potential collisions with detected traffic approaching from the rear, when a door is opened whilst the vehicle is stationary. When the door release lever is pulled and another road user deemed critical is approaching, the warning strip in the door and the LED indicator on the exterior mirror on the affected side light up. Simultaneously, the door opening is delayed briefly

		S line	Vorsprung	Total RRP inc VAT*
PCM	City Assist Pack	•	S	£1,375

Options are subject to availability and may extend time taken for delivery.

Vehicle driver assistance and safety systems are not a substitute for attentive driving. Drivers retain full responsibility for providing the necessary inputs for safe control of the vehicle.

System descriptions within this pricelist are provided for information purposes only. System limitations and operational requirements apply. See manual for details.

*Total RRP inc VAT – Recommended Retail Price including VAT which is calculated at 20%. This may alter to reflect any change in the applicable VAT rate.

– = Not available • = Available S = Standard

Trailer Pack

Supports the driver when reversing a vehicle with a trailer, making manoeuvring easier.

Trailer assist

- ▶ System is activated at the press of a button when reverse gear is engaged. The system analyses the trailer angles and path which is displayed on the MMI display. The driver can adjust the desired angle or desired path of travel via touch control of the MMI system
- ▶ Prevents the driver having to continuously stabilise the trailer
- ▶ The active assistant can help to prevent collision between vehicle and trailer

Towbar

- ▶ Electrically folding ball hitch operated via buttons in the luggage compartment
- ▶ Includes stabilisation via the Electronic Stability Programme (ESC)
- ▶ Integrated, folding system socket allows continuous use of electrical equipment on the trailer or in a caravan while driving

		S line	Vorsprung	Total RRP inc VAT ⁺
1D9	Trailer Pack	•	•	£1,400

Options are subject to availability and may extend time taken for delivery.

Vehicle driver assistance and safety systems are not a substitute for attentive driving. Drivers retain full responsibility for providing the necessary inputs for safe control of the vehicle.

System descriptions within this pricelist are provided for information purposes only. System limitations and operational requirements apply. See manual for details.

⁺Total RRP inc VAT – Recommended Retail Price including VAT which is calculated at 20%. This may alter to reflect any change in the applicable VAT rate.

Technology Driver assistance

		S line	Vorsprung	Total RRP inc VAT ⁺
7X5	Park assist Searches for suitable parking spaces along the road by means of ultrasonic sensors, calculates the ideal parking path and performs the steering action virtually automatically. The system can support the driver with: ▶ Parallel parking in reverse ▶ Exiting a parallel parking space, driving forwards ▶ Bay parking, both in reverse and forwards Steering is performed by the vehicle, with the driver responsible for acceleration, gear changes and application of brakes. Not available in combination with Comfort and Sound Pack (WB2)	•	–	£400
9R1	Night vision assistant Assists the driver when driving at night by displaying a thermal image of the surroundings. People and large wild animals are highlighted in yellow in the Audi Virtual Cockpit. If the system determines, from their position, that there is a potential risk, the marking changes to red, a warning triangle appears, and a warning tone is emitted. Warnings can also be shown in the head-up display, if ordered. The highlighted figure is also illuminated with 3 successive brief flashes of the headlight. The system comes on automatically in darkness, if low beam is enabled or the lights are in auto mode	•	•	£2,200
KS1	Head-up display Projects warning messages or driving-related information from assistance systems and the navigation system, in full colour, onto the windscreen in the driver's direct field of vision, giving the driver quicker access to information. The multi-coloured display is height-adjustable and can be read with minimal distraction from the road	•	S	£1,450
4X4	Rear side airbags For the outer rear seats, incorporated into the seat backrests; supplements the side impact protection in the doors and the standard airbag systems	•	•	£475

Options are subject to availability and may extend time taken for delivery.

Vehicle driver assistance and safety systems are not a substitute for attentive driving. Drivers retain full responsibility for providing the necessary inputs for safe control of the vehicle.

System descriptions within this pricelist are provided for information purposes only. System limitations and operational requirements apply. See manual for details.

⁺Total RRP inc VAT – Recommended Retail Price including VAT which is calculated at 20%. This may alter to reflect any change in the applicable VAT rate.

– = Not available • = Available S = Standard

Audi warranty

All new Audi models come with a 3-year warranty as standard, and you can choose to extend this to a 4 or 5-year warranty* for a one-off cost. What's more, if you decide to sell your Audi before the warranty expires, it will be fully transferred to the new owner. Warranty terms and conditions apply. Please see www.audi.co.uk/warrantyterms for further details.

		S line	Vorsprung	Total RRP inc VAT ⁺
-	Audi warranty , covering you for unlimited mileage in the first 2 years of ownership, and up to 60,000 miles in the third year. Transferable between owners [^]	S	S	£0
EA6	Audi warranty , covering you for up to 4 years or 75,000 miles, whichever comes sooner. Cover includes a 2-year unlimited-mileage warranty, and up to 75,000 miles in the third and fourth years. Transferable between owners [^]	•	•	£865
EA9	Audi warranty , covering you for up to 5 years or 90,000 miles, whichever comes sooner. Cover includes a 2-year unlimited-mileage warranty, and up to 90,000 miles in the third, fourth and fifth years. Transferable between owners [^]	•	•	£2,080

Options are subject to availability and may extend time taken for delivery.

*3-year warranty consists of a 2-year unlimited-mileage warranty and a third-year warranty with a 60,000-mile limitation. 4-year warranty consists of a 2-year unlimited-mileage warranty and 2 further years' coverage with a 75,000-mile limitation. 5-year warranty consists of a 2-year unlimited-mileage warranty and 3 further years' coverage with a 90,000-mile limitation.

[^]Only available before registration of your Audi Q8. Please speak to your Audi Centre for full details.

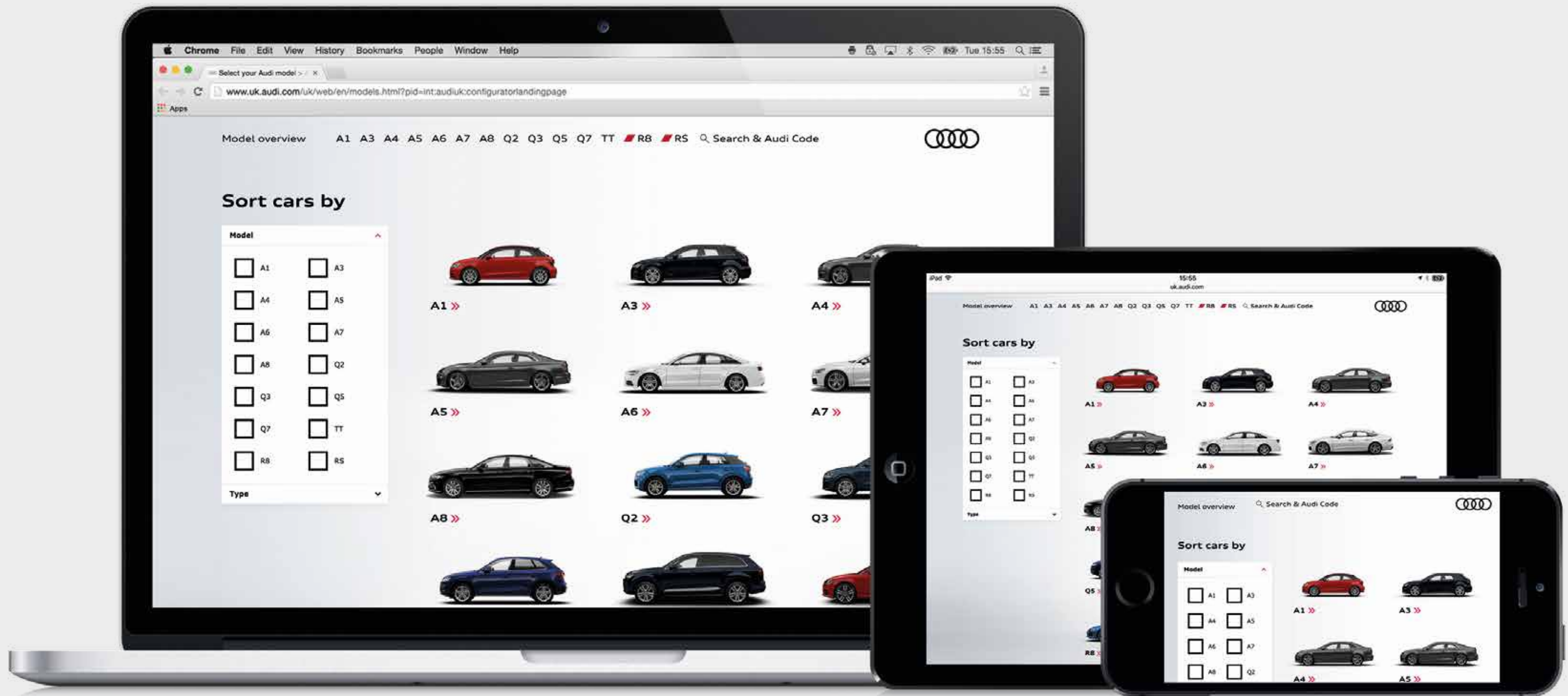
⁺Total RRP inc VAT – Recommended Retail Price including VAT which is calculated at 20%. This may alter to reflect any change in the applicable VAT rate.

– = Not available • = Available S = Standard

Audi configurator

The easy way to build your Audi

Our online configurator makes it easy to create and price your ideal Audi by simply choosing your favourite options.



Visit www.audi.co.uk/configurator to create your perfect Audi Q8

Financing your Audi

A range of finance plans designed to suit you

At Audi, we offer a range of ways to finance your new Audi – with most finance agreements, you just need to choose your annual mileage and the length of the term, then pay an initial deposit which could be as little as 1 monthly payment.* For more details, visit www.audi.co.uk/finance or speak to your local Audi Centre.

Solutions Personal Contract Plan

A flexible finance plan designed to give you a number of options, making it ideal if you want to change your car more regularly. At the end of the agreement, you have 3 choices:

1. Exchange the car for a new Audi.
2. Pay the option to purchase fee and optional final payment, then take full ownership of the car.
3. Simply return the car to Audi (fees may be payable).

Hire Purchase

If you know you'd like to keep your Audi, Hire Purchase could be right for you. And as you're making your payments with a view to owning the car, there's no restriction on how many miles you can drive each year.

Contract Hire

If you don't want to own your Audi, Contract Hire could be a great option. You can add a service, maintenance and tyres plan and, for VAT-registered businesses, an element of the VAT on rentals may be recoverable.† Once you have selected your Audi, all you need to do is choose how long you want to hire it for and your annual mileage per year. With Contract Hire, you pay an initial rental payment followed by monthly rental payments during your agreement. Once your agreement ends, you simply hand the car back (subject to fair wear and tear and excess mileage charges).

Online Finance Calculators

Use our online Finance Calculator to get a personalised quote that suits you. Simply visit the Finance and Offers section on www.audi.co.uk and you can choose between our Solution Personal Contract Plan and Contract Hire calculators and see what you can expect to pay for your new Audi.

Buy my Audi

Visit Buy my Audi, bma.audi.co.uk, where you can easily search for new Audis within your budget, reserve and apply for finance, all in 1 place.

Audi Insurance

Start enjoying your new car from day 1 with our complimentary 5-day insurance. Call us on 0345 877 6236, give us a few details, and you can drive away as soon as you take delivery of your new Audi. If you are eligible, we will also provide you with an annual quotation giving you the option to purchase 12 months of cover.

Audi Car Insurance includes many features and benefits as standard, including a guarantee that your vehicle will be repaired by Audi Trained Technicians, in Audi Approved Repairers, using only Audi Genuine Parts. For an annual insurance quote call 0345 246 4030.

Telephone lines are open Monday to Friday 8am-8pm and Saturday 9am-5pm. For details of our full range of insurance products, visit www.insurewithaudi.co.uk

*An offer of finance depends on certain conditions. Finance subject to status. Available to 18s and over. Terms and conditions apply. Audi Financial Services.

†This is subject to a 50% block where there is any element to private use of a motor car. The above note is intended as a summary of the principles of VAT and tax in this complex area. It is not intended to be and should not be construed as constituting tax advice and we make no representations, warranties or guarantees, whether express or implied, that the content is accurate, complete or up-to-date. Volkswagen Financial Services (UK) Limited cannot be held liable in any way for any reliance upon this document, whether in contract, tort (including negligence), breach of statutory duty, or otherwise, even if foreseeable. For specific tax advice relating to your particular set of circumstances, you should contact your own HMRC officer or your usual VAT/tax advisers.

^Subject to eligibility. Audi Car Insurance is underwritten by U K Insurance Limited, Registered Office: The Wharf, Neville Street, Leeds LS1 4AZ. Registered in England and Wales No. 1179980. U K Insurance Limited is authorised by the Prudential Regulation Authority and regulated by the Financial Conduct Authority (FCA) and the Prudential Regulation Authority. Calls may be recorded. Audi Financial Services is a trading name of Volkswagen Financial Services (UK) Limited (VWFS UK), registered in England and Wales No. 2835230 (registered office: Brunswick Court, Yeomans Drive, Blakelands, Milton Keynes MK14 5LR). Volkswagen Insurance Service (Great Britain) Ltd is an appointed representative of VWFS UK. VWFS UK is authorised and regulated by the FCA, registration number 311988. Authorisation details for both organisations can be checked on the Financial Services Register by visiting www.fca.org.uk VWFS UK and U K Insurance Limited are not part of the same corporate group.

Q8 technical data – diesel engine

The Q8 engine meets EU6 emissions standards. Depending on your chosen Q8 wheel size, different efficiency figures for CO₂ emissions and fuel consumption will apply. This table is a quick reference guide to assist you in finding the correct values based on wheel sizes and your chosen engine.

	Diesel engine
Engine	50 TDI quattro
Transmission	8-speed tiptronic
Mild Hybrid System	48 volt
Cylinder	6-cylinder
Displacement, cubic cm	2967
Max. power, ¹ PS at rpm	286/3500–4000
Performance	
Max. torque, Nm at rpm	600/2250–3250
0–62mph acceleration, seconds	6.3
Top speed, mph	152
Weight	
Unladen weight, ² kg	2230
Gross weight limit, kg	2890
Further information	
Roof load limit/nose weight, kg	100/140
Max. trailer load unbraked, ³ kg	750
Max. trailer load with 12%, ³ kg	3500
Fuel tank approx. capacity, litres	85
AdBlue® tank approx. capacity, litres	24
ABI insurance group 1–50 ⁴	47E

	Diesel engine	
Engine	50 TDI quattro	
Transmission	8-speed tiptronic	
Max. power, ¹ PS at rpm	286/3500–4000	
Wheel and Tyre Clustering		
CO ₂ emissions, g/km	21" wheels	178
	22" wheels	178
Benefit in kind 2018/19 tax year (BIK)%	21" wheels	37%
	22" wheels	37%
Fuel consumption, mpg (l/100km) Urban	21" wheels	38.7 (7.3)
	22" wheels	38.7 (7.3)
Fuel consumption, mpg (l/100km) Extra Urban	21" wheels	43.5 (6.5)
	22" wheels	43.5 (6.5)
Fuel consumption, mpg (l/100km) Combined	21" wheels	41.5 (6.8)
	22" wheels	41.5 (6.8)

This vehicle is a WLTP (Worldwide Harmonised Light-Duty Vehicles Test Procedure) type approved vehicle. More information is available at beta.audi.co.uk/wltp. However, in line with Government guidance, to facilitate direct comparison between different models from different manufacturers and to accommodate the full transition to this new testing regime, we have displayed the NEDC figures. These NEDC figures are the values for this vehicle used in registration and taxation documentation until further notice from the UK authorities.

Fuel consumption and efficiency figures are provided for comparative purposes only and may not reflect 'real world' driving results. Choice of wheels and other options may affect fuel consumption and emissions data.

The information on this page is relevant for new factory orders only and is correct at time of publication. Please confirm with your Audi Centre the exact specification and technical data for your model. ¹The given value was obtained in accordance with the specified measurement procedure (the respective current version of the Directive 80/1269/EEC). The maximum power output figures are quoted in PS (or Pferdestärke, which is the metric equivalent of brake horsepower). To convert to brake horsepower, divide the PS figure by 1.0139.

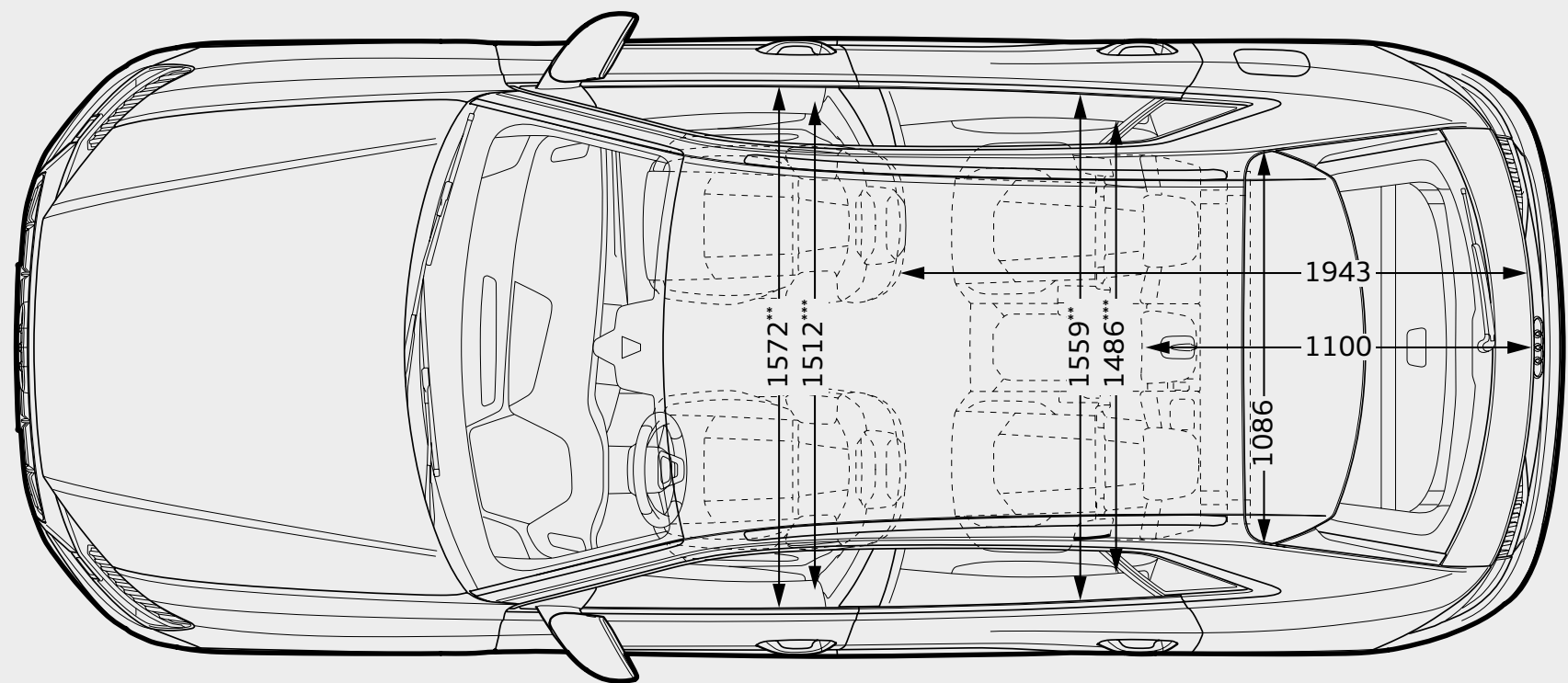
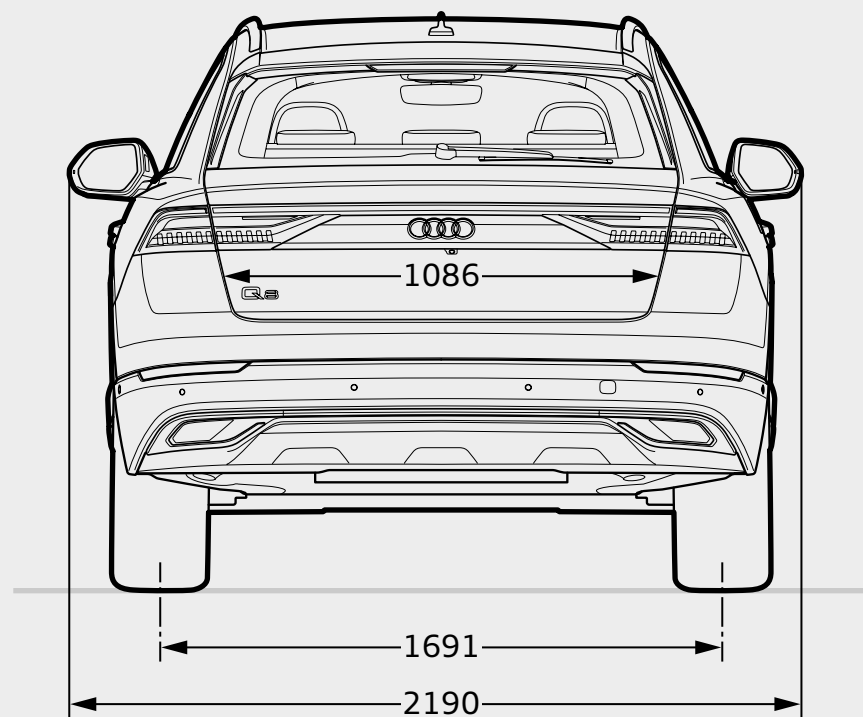
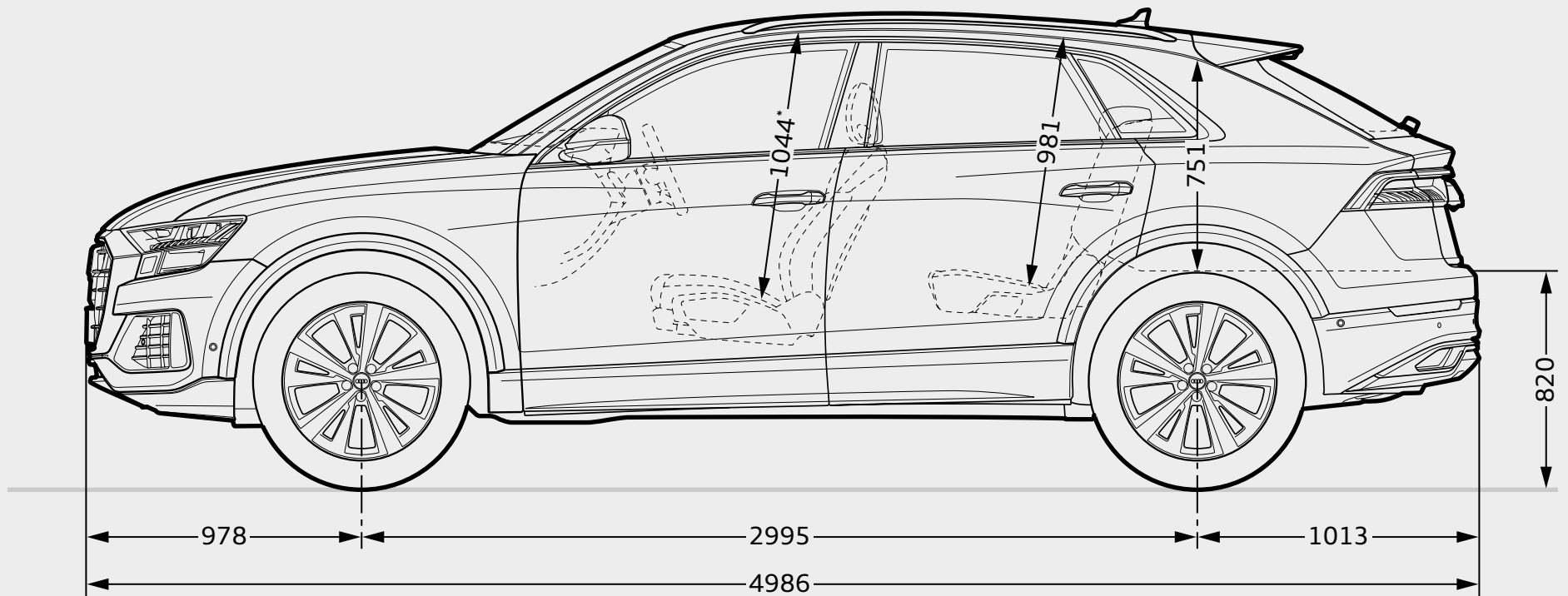
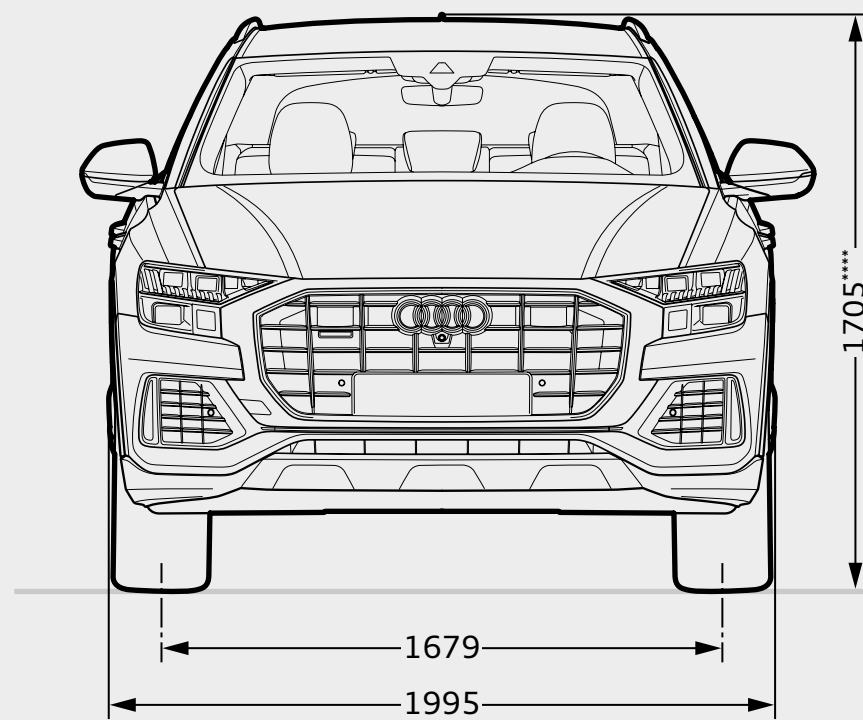
²Vehicle's unladen weight without driver (calculated in accordance with the current version of Directive (80/1268/EEC). The fitting of additional equipment may increase the vehicle's unladen weight and drag coefficient, whereupon the potential carrying capacity and top speed will be correspondingly reduced. ³The engine's power output always goes down with increasing altitude. At 1,000m above sea level, and for every additional 1,000m, deduct 10% from the weight of the outfit (trailer load limit + gross weight of the towing vehicle).

⁴Highest insurance group rating shown. Group may be lower dependent on trim level. Please visit www.thatcham.org/abigrouprating for details.

Q8 dimensions

All the measurements you need

See the exact dimensions of the Audi Q8, so you can check everything – from whether the car fits your garage to whether your luggage fits the boot.



Dimensions in millimetres. Optional equipment may affect dimensions.
 Dimensions were measured with vehicle at unladen weight. Turning circle approx. 13.3m.
 *Maximum headroom. **Elbow room width. ***Shoulder room width. ****Height including roof aerial.
 †Measured by the VDA standard test method using 200 x 100 x 50mm blocks.

Q8 model luggage compartment capacity:†
 605l (rear seats up) or 1755l (rear seats folded down).

Important information

Welcome to Audi

Audi customer care

Every new Audi includes these reassuring features as standard:

- ▶ 3-year Audi warranty (unlimited mileage in the first 2 years, with a full mechanical and electrical warranty up to 60,000 miles in the third year)
- ▶ A 3-year paint warranty
- ▶ A 12-year anti-corrosion warranty
- ▶ 3-year UK roadside assistance and recovery
- ▶ 3-year accessories warranty on any accessories purchased with your car (2-year warranty if purchased separately from your new Audi)*

You also have the option when ordering your new car of choosing a 4-year or 5-year Audi warranty. Speak to a member of the sales team for more information.

Warranty terms and conditions apply. Please see www.audi.co.uk/warrantyterms for further details.

Information in this pricelist

We've done all we can to make the prices, specifications, technical details and all other information you see in this pricelist accurate at the time of publication. However, as our products are constantly being updated, we recommend checking the details with your Audi Centre.

We reserve the right to change prices or specification at any time. All prices shown in this guide include VAT which is currently charged at 20%.

Delivery charges and number plates are not included in the Total RRP inc VAT vehicle price.

Delivery charge	£504.99
Number plate	£20.00
VAT	£105.01
Total	£630.00

Recommended On-The-Road (OTR) prices include the delivery and number plate charges above, Road Fund Licence (which may vary depending on model/transmission – see table for details) and first registration fee at £55.00.

The images featured in this pricelist are for illustrative purposes only. They may feature left-hand drive vehicles and include equipment that is not UK specification.

CO2 emissions-based Vehicle Excise Duty

Vehicle Excise Duty (Road Fund Licence) is based upon the amount of Carbon Dioxide (CO₂) a vehicle emits, measured in grams per kilometre (g/km). First-year VED rates apply to the first year of ownership. Standard VED rates apply thereafter. The DVLA has created 13 categories:

Vehicles registered on or after 1 April 2018

Petrol and Diesel engines	First year rate	First year rate Diesel vehicles [†]	Standard rate [^] (second year onwards)
A – 0g/km	£0	£0	£0
B – 1 to 50g/km	£10	£25	£140
C – 51 to 75g/km	£25	£105	£140
D – 76 to 90g/km	£105	£125	£140
E – 91 to 100g/km	£125	£145	£140
F – 101 to 110g/km	£145	£165	£140
G – 111 to 130g/km	£165	£205	£140
H – 131 to 150g/km	£205	£515	£140
I – 151 to 170g/km	£515	£830	£140
J – 171 to 190g/km	£830	£1,240	£140
K – 191 to 225g/km	£1,240	£1,760	£140
L – 226 to 255g/km	£1,760	£2,070	£140
M – over 255g/km	£2,070	£2,070	£140

Vehicle Excise Duty (VED) rates correct at time of publication, but these may alter to reflect any change in the applicable VED rate.
[†]This rate applies to diesel vehicles that do not meet the real driving emissions step 2 (RDE2) standard.

[^]Vehicles with a list price exceeding £40,000 (including factory installed options, delivery charge, number plates and VAT) will pay an additional £310 plus the standard annual rate for a 5-year period. After the 5-year period only the standard rate will apply.

*Excludes Road Angel products.

Important information continued

Audi tax-free sales

If you are entitled to purchase a vehicle free of VAT, normally through military or diplomatic privilege, please contact your local Audi Centre for full details. Should you have any difficulty obtaining the information you require, please call 0870 241 5663.

Audi Connect Terms and Conditions

The Audi Connect Online Services (“Connect Services”) are provided by Audi AG, and are included as standard in certain models within the Audi range of vehicles and are also available within some optional packs, such as the Audi Technology Pack. Audi AG is a company within our corporate group.

The Connect Services include:

- ▶ Audi Connect Infotainment Services (“Infotainment Services”); and
- ▶ Audi Connect ‘Safety and Service’ Services (comprising myService and myCarManager) (“Safety and Service”).

Some services require additional activation steps. In order to enjoy these services customers must register, accept the terms and conditions and follow the activation steps instructed on myAudi (please visit <https://login.audi.com>).

Some services also require the download of the myAudi app on a compatible phone or tablet (always check latest phone and software compatibility).

Whilst correct at the time of publication, the content and scope of the Connect Services offered may vary from time to time. Features vary by model. Audi AG may add, change, replace or remove individual services or features at any time during your subscription for the Connect Services.

Enhancements in vehicle technology, information technology and web-based services sometimes require the Connect Services to be adapted and enhanced in line with new forms of technology or changes in user behaviour. In this context, Audi AG reserves the right at any time to enhance, reduce or change the functional scope of the Connect Services in a manner that it considers is reasonable for the customer.

For full details of the specific Connect Services on your vehicle, together with complete and up-to-date terms and conditions for those Connect Services, please visit www.audi.co.uk/connectterms

Audi Connect Infotainment Services

Audi Connect Online Infotainment Services (“Infotainment Services”) are provided via a SIM card embedded in the vehicle.

The Infotainment Services enable access to certain search, social media and other online services provided by third parties. Features vary by model. Permanent availability cannot be guaranteed as this is the responsibility of the relevant third party provider.

Infotainment Services are available only within the range of the selected mobile phone network operated by Audi AG’s chosen mobile phone provider (which may change from time to time) and where there is mobile reception, including an active data connection.

Data is unlimited. There are no additional charges for data roaming within the EU (although availability of these services is limited to certain countries). You will not, however, be able to use the embedded SIM to provide Wi-Fi hotspot services or to tether any other device to the embedded SIM. Should you wish to create a Wi-Fi hotspot we recommend you purchase Wi-Fi data packs via myAudi (link: <https://login.audi.com>). Any Wi-Fi data packs purchased via myAudi will remain with the vehicle upon sale of the vehicle and no refunds will be provided.

If you insert an external SIM card into the card slot (e.g. so as to enable Wi-Fi hotspot services), then all Infotainment Services data connections will be made via this SIM card (and not the Audi embedded SIM card) and all related data costs incurred may be charged to the customer by the provider of the plan associated with the external SIM card.

You may not use the Connect Services and the embedded SIM for any purpose other than the provision or receipt of services in accordance with these terms.

For vehicles which have hazard alert and traffic sign information features, the vehicle sensors will be transmitting information to Audi AG. This information includes, but is not limited to, vehicle location, speed signs, areas where a risk of skidding, breakdown, accident and/or reduced visibility has been identified. The data is transmitted to Audi AG and shared with other Audi vehicles with hazard alert and traffic sign information features. The data is transmitted anonymously and does not identify an individual vehicle. Such data is only held for the purpose of warning drivers of potential road hazards and change of speed signs.

The subscription is activated from the point of vehicle registration. Should you wish to continue to use the Connect Services after your subscription expires, please consult your local Audi Centre for details (including the latest subscription fees). Charges will apply upon renewal.

Important information continued

Audi Connect Safety and Service

Audi Connect Online Safety and Service (“Safety and Service”) is available on certain models and is provided via a SIM card embedded in the vehicle.

Safety and Service features are available only within the range of the selected mobile phone network operated by Audi AG’s chosen mobile phone provider (which may change from time to time) and where there is mobile reception, including an active data connection.

You may not use the Connect Services and the embedded SIM for any purpose other than the provision or receipt of services in accordance with these terms.

Safety and Service comprises:

- 1) myService; and
- 2) myCarManager.

For full details of the features of Safety and Service, please visit www.audi.co.uk/connectterms

MMI Navigation Plus – online map updates and myAudi Special Destinations

The map version delivered with vehicles with MMI Navigation Plus can be updated free of charge for the first 5 updates after vehicle delivery (which are generally issued at intervals of 6 months). The current navigation data can be downloaded from the myAudi platform at www.audi.com/myaudi and embedded in the vehicle via SD card. In conjunction with Audi Connect Infotainment Services, the update can be carried out online in the vehicle (subject to mobile reception and an active data connection). For further navigation updates, it is possible to purchase new navigation data maps from your local Audi Centre at extra cost – please contact them for details.

With myAudi Special Destinations, you can download your favourite POI lists available on the internet (such as favourite restaurants) and have these displayed on your navigation map. In order to enjoy this service, customers must register, accept the terms and conditions and follow the instructions given on myAudi. Please visit <https://login.audi.com/login>

Audi Vorsprung durch Technik

Audi UK
Customer Services
Selectapost 29
Sheffield
S97 3FG
0800 699 888
www.audi.co.uk

Information in this guide is
subject to change without notice.

© Audi (UK)

Q8 Pricelist.

Edition 1 07/18
2019 Model Year

Images are for illustrative purposes only.