



> Request a call back



> Find a Retailer

Mercedes-AMG GT 4-door Coupé



Effective from December 2019 Production.

Mercedes-Benz





> Request a call back



> Find a Retailer

Contents

6 Mercedes-AMG models	22 AMG Aerodynamics package	32 Technical data
12 Mercedes-AMG driver training	23 Driving Assistance package	35 Road Fund Licence
13 Standard equipment	24 AMG high-performance ceramic composite braking system	36 Services and insurance
20 Wheels	25 ServiceCare	37 Mercedes me
21 Rear Luxury Lounge package	26 Colours and materials	39 Mercedes-Benz Finance



> Request a call back



> Find a Retailer



Some of the model features, optional extras and colours shown may not be available, or may only be available in a different specification.



> Request a call back



> Find a Retailer



Some of the model features, optional extras and colours shown may not be available, or may only be available in a different specification.



> Request a call back



> Find a Retailer



Some of the model features, optional extras and colours shown may not be available, or may only be available in a different specification.



> Request a call back



> Find a Retailer

Mercedes-AMG GT 63 S 4MATIC+ Premium



Mercedes-AMG GT 63 S 4MATIC+ Premium
Petrol – 3,982 cc, 8-cylinder, 639 hp/470 kW,
AMG SPEEDSHIFT MCT 9-speed sports transmission,
CO₂ 257 g/km^{1,*}

**Basic RRP
excl. VAT**
£114,637.50

**Total RRP
incl. VAT**
£137,565.00

**Road Fund
Licence²**
£2,135.00

**Rec. OTR
price³**
£140,495.00

**P11D
value**
£138,305.00

**BiK tax rate
2019/20**
37%

Some options may be shown.

¹The indicated values were determined according to the prescribed measurement method – Worldwide Harmonised Light Vehicle Test Procedure (WLTP). Figures shown may include options which are not available in the UK

*CO₂ figures have been converted into NEDC-equivalent values for use with the current VED and BIK tax legislation

Figures shown are for comparability purposes; only compare with other cars tested to the same technical procedures. Figures may not reflect real life driving results, which will depend upon a number of factors including factory-fitted options, accessories fitted (post registration), variations in weather, driving styles and vehicle load. Further information about the test used to establish fuel consumption and CO₂ figures can be found at <http://www.mercedes-benz.co.uk/WLTP>

²A different first year rate of Vehicle Excise Duty (Road Fund Licence) applies for new cars

³The recommended on-the-road price includes the Road Fund Licence applicable to the standard model plus delivery charge (£715.00 incl. VAT), new vehicle registration fee (£55.00) and number plates (£25.00 incl. VAT). VAT is calculated at the standard rate of 20%



> Request a call back



> Find a Retailer

Model lines | Mercedes-AMG GT S 4MATIC+ Premium

7



Additional-cost options: brilliant blue magno paint (code 644); Exclusive nappa STYLE leather in macchiato beige/magma grey (code 565A); grey open-pore ash wood trim (code H32)





As a breathtaking Gran Turismo, the Mercedes-AMG GT 63 S 4MATIC+ Premium is the perfect companion for anyone who appreciates outstanding performance, comfort and versatility. The AMG 4.0-litre V8 biturbo engine delivers 639 hp (470 kW) output and 900 Nm torque – the most powerful in

the Mercedes-Benz range. The AMG RIDE CONTROL sports suspension is adjustable in three stages, from comfortable to sportily taut. Further highlights include the electronic AMG rear axle differential lock with variable locking effect and ‘RACE’ transmission mode.


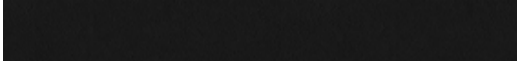

Exterior

- AMG Dynamic Plus package – includes ‘RACE’ drive program including Drift Mode and dynamic engine mounts
- KEYLESS-GO Comfort package
- Parking package – Active Parking Assist with PARKTRONIC and 360° camera
- 20" AMG multi-spoke alloy wheels – painted titanium grey
- AMG bodystyling – front apron, rear apron and side skirts
- AMG Performance exhaust system, switchable
- AMG specific-radiator grille
- MULTIBEAM LED with ULTRA RANGE highbeam
- Panoramic sunroof
- Rear aerofoil – electrically extending
- Yellow brake calipers

Interior

- Memory package
- AMG door sills illuminated with ‘AMG’ lettering
- AMG floor mats with ‘AMG’ lettering
- AMG performance steering wheel in DINAMICA microfibre with ‘Touch Control’ steering wheel pads
- Blind Spot Assist
- Dual-bonded widescreen (12.3-inch) cockpit display with COMAND Online system
- Heated front and rear seats
- Nappa leather upholstery in black
- THERMOTRONIC luxury automatic climate control system
- Wireless phone charging – front

Trim and Upholstery

- AMG carbon fibre 
- Nappa leather – black 
- Nappa leather – black/magma grey 

Please refer to page 26 onwards for the full range of trim and upholstery choices



> Request a call back



> Find a Retailer

Mercedes-AMG GT 63 S 4MATIC+ Premium Plus



Mercedes-AMG GT 63 S 4MATIC+ Premium Plus
Petrol – 3,982 cc, 8-cylinder, 639 hp/470 kW,
AMG SPEEDSHIFT MCT 9-speed sports transmission,
CO₂ 257 g/km^{1,*}

**Basic RRP
excl. VAT**
£118,804.17

**Total RRP
incl. VAT**
£142,565.00

**Road Fund
Licence²**
£2,135.00

**Rec. OTR
price³**
£145,495.00

**P11D
value**
£143,305.00

**BiK tax rate
2019/20**
37%

Some options may be shown.

¹The indicated values were determined according to the prescribed measurement method – Worldwide Harmonised Light Vehicle Test Procedure (WLTP). Figures shown may include options which are not available in the UK

^{*}CO₂ figures have been converted into NEDC-equivalent values for use with the current VED and BIK tax legislation

Figures shown are for comparability purposes; only compare with other cars tested to the same technical procedures. Figures may not reflect real life driving results, which will depend upon a number of factors including factory-fitted options, accessories fitted (post registration), variations in weather, driving styles and vehicle load. Further information about the test used to establish fuel consumption and CO₂ figures can be found at <http://www.mercedes-benz.co.uk/WLTP>

²A different first year rate of Vehicle Excise Duty (Road Fund Licence) applies for new cars

³The recommended on-the-road price includes the Road Fund Licence applicable to the standard model plus delivery charge (£715.00 incl. VAT), new vehicle registration fee (£55.00) and number plates (£25.00 incl. VAT). VAT is calculated at the standard rate of 20%



> Request a call back



> Find a Retailer

Model lines | Mercedes-AMG GT S - MATIC+ Premium Plus

10



Additional-cost options: brilliant blue magno paint (code 644); Exclusive nappa STYLE leather in macchiato beige/magma grey (code 565A); grey open-pore ash wood trim (code H32)





The Mercedes-AMG GT 63 S 4MATIC+ Premium Plus further extends the luxury with active multi-contour front seats and dynamic massage function. ENERGIZING Comfort, meanwhile, ensures ultimate well-being: the system interlinks various comfort features such as climate control, seats and heating.

Choose between six carefully-tailored programs for activation or relaxation depending on your preference. As part of the AIR-BALANCE package there is also interior fragrance to complete the luxuriously welcoming atmosphere on board.

In addition/replacement to GT 63 S 4MATIC+ Premium:

Exterior

AMG Night package

21" AMG cross-spoke forged wheels

Soft door close

Interior

AIR-BALANCE package

Active multi-contour seats

Climatised front seats

ENERGIZING Comfort

Head-up display

Trim and Upholstery

AMG carbon fibre



Nappa leather - black



Nappa leather - black/magma grey



Please refer to page 26 onwards for the full range of trim and upholstery choices



> Request a call back



> Find a Retailer

Become the AMG expert

Unleash a new level of performance.

All Mercedes-AMG customers are invited to a complimentary adrenaline-packed driving experience, under the guidance of our driving specialists at Mercedes-Benz World.



Discover AMG at Mercedes-Benz World

- Individually tailored to your ability
- No previous track experience necessary
- See how well an AMG performs when pushed to its limits
- Put your theoretical driving knowledge to the test on a real track
- Understand the cause and effect of understeer, oversteer drift, collision avoidance and track etiquette
- Get to grips with the Mercedes-Benz World's purpose-built track and dynamic driving facilities

TERMS AND CONDITIONS

The following customers only are eligible: the first purchaser/registered keeper of a newly registered Mercedes-AMG. The complimentary Training as described in the brochure must be booked and taken within six months of delivery of your Mercedes-AMG. The Training is available Monday to Friday and is subject to availability. Requests for Saturday and Sunday will incur an additional charge. Upgrades are available for an additional cost: details upon request. Transferable to individuals who reside at the same postal address only. Mercedes-Benz Cars UK Limited reserves the right to amend or withdraw this Training experience. Attendees must hold a full UK driving licence. Attendees will be required to sign the Mercedes-Benz World Driving Risk Acknowledgement prior to undertaking the Training experience. The Training experience is also subject to the Mercedes-Benz World Terms and Conditions, as applicable. Invitation is emailed to the customer post-delivery. Permission via the customer contact preferences must be given to enable Mercedes-Benz World to contact. Retailer demonstrator vehicles are not eligible.



> Request a call back



> Find a Retailer

Standard equipment



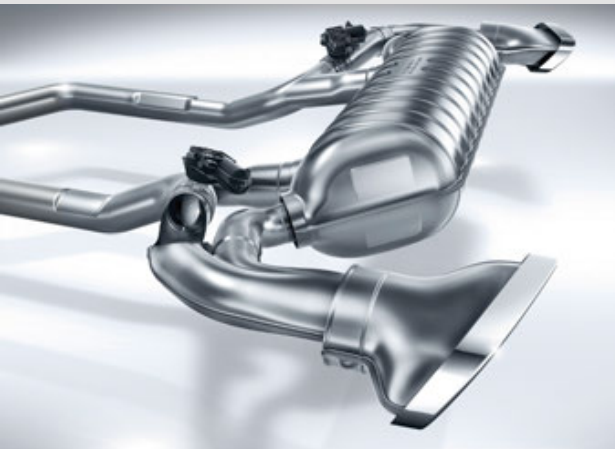
Mirror package



AMG DRIVE UNIT



Burmester® surround sound system



AMG Performance exhaust system



Front seats (2) and rear seats (2)



MULTIBEAM LED headlights with Adaptive Highbeam Assist Plus



Item

Transmission and Suspension

	GT 63 S 4MATIC+ Premium	GT 63 S 4MATIC+ Premium Plus
AMG DYNAMIC PLUS package, including dynamic AMG engine mounts, 'RACE' drive program including Drift Mode	●	●
Active aerodynamics with AIRPANEL in the front apron	●	●
AMG electronic rear axle limited slip differential Complimentary differential oil change required after first 1,800 miles	●	●
AMG RIDE CONTROL sports suspension with adjustable damper system	●	●
AMG rear axle steering	●	●
AMG Performance 4MATIC+	●	●
AMG SPEEDSHIFT MCT 9-speed sport automatic transmission with RACE START function, ECO start/stop function and four transmission modes: 'C' (Comfort), 'S' (Sport), 'S+' (Sport Plus) and 'M' (Manual)	●	●
Cruise control with SPEEDTRONIC variable speed limiter	●	●
ECO start/stop function	●	●
Fuel tank – 80-litre	●	●
Lithium-ion battery	●	●
Petrol particulate filter	●	●

Item

Exterior

	GT 63 S 4MATIC+ Premium	GT 63 S 4MATIC+ Premium Plus
AMG Night package	-	●
KEYLESS-GO Comfort package	●	●
Mirror package – in vehicle colour Heated exterior mirrors on left and right, electrically adjustable from the inside	●	●
Parking package – Active Parking Assist with PARKTRONIC and 360° camera	●	●
AMG Light Display The projector fitted in the side skirts casts 'AMG' lettering onto the asphalt	●	●
360° camera	●	●
AMG Performance exhaust system, switchable	●	●
AMG-specific radiator grille	●	●
Bonnet with powerdomes	●	●
Heated rear window with timer control	●	●
KEYLESS-GO starting function – engine start at the push of a button	●	●
LED tail lights with sequential turn signals	●	●
Model designation on front wings and boot lid	●	●
MULTIBEAM LED headlights with Adaptive Highbeam Assist Plus	●	●
Panoramic sunroof	●	●



> Request a call back



> Find a Retailer

Standard equipment

15

Item	GT 63 S 4MATIC+ Premium	
	GT 63 S 4MATIC+ Premium Plus	
Exterior (continued)		
Privacy glass	●	●
Rear aerofoil – electrically extending	●	●
Soft door close	–	●
Specific side skirts painted in vehicle colour with inserts in silver chrome	●	●
Summer tyres	●	●
'V8 BITURBO' lettering on both front wings	●	●
Windscreen wipers with rain sensor	●	●

Item	GT 63 S 4MATIC+ Premium	
	GT 63 S 4MATIC+ Premium Plus	
Interior		
AIR-BALANCE package	–	●
Memory package Steering column, seats and exterior mirrors electrically adjustable with memory function; four-way lumbar support for driver and passenger with adjustable side bolsters	●	●
12V socket – in centre console and in load area	●	●
Active multi-contour seats	–	●
Ambient lighting – choice of 64 colour settings	●	●
AMG dual-bonded widescreen (12.3-inch) cockpit consisting of an instrument display and media display including AMG main menu and AMG start-up screen	●	●
AMG DRIVE UNIT	●	●
AMG illuminated door sill panels in brushed stainless steel at front and rear, with 'AMG' lettering	●	●
AMG Performance steering wheel in black DINAMICA microfibre, with flattened bottom section, Touch Control buttons, 12-o'clock marking, 'AMG' lettering, steering wheel gearshift paddles in silver chrome and AMG steering wheel buttons	●	●



> Request a call back



> Find a Retailer

Standard equipment

16

Item

Interior (continued)

	GT 63 S 4MATIC+ Premium	GT 63 S 4MATIC+ Premium Plus
AMG sports pedals in brushed stainless steel with rubber studs	●	●
AMG sports seats with embossed AMG emblem in head restraints and bezel in silver chrome with 'AMG' lettering	●	●
Automatically-dimming rear view mirror and driver's exterior mirror	●	●
Blind Spot Assist	●	●
Brake calipers with 'AMG' lettering – painted yellow	●	●
Centre armrests – front with stowage	●	●
Climatised front seats	–	●
Cup holders – front (2) and rear (2)	●	●
Electric windows (4) with PRE-SAFE® closing function	●	●
ENERGIZING Comfort	–	●
Floor mats – AMG floor mats with 'AMG' lettering	●	●
Front seats (2) and rear seats (2)	●	●

Item

	GT 63 S 4MATIC+ Premium	GT 63 S 4MATIC+ Premium Plus
Front seats – full electric adjustment fore and aft Height, inclination and seat cushion length adjustment, electric head restraint height adjustment and four-way electric lumbar support	●	●
Front seats – heated	●	●
Glasses stowage compartment	●	●
Glove compartment – lockable, air-conditioned and illuminated	●	●
Head-up display	–	●
Pull-out sun visors with vanity mirror – illuminated and pivotable to the side window	●	●
Rear seats – heated	●	●
THERMOTRONIC automatic climate control system with three climate zones and three climate styles. The driver and front passenger are able to set the temperature, air distribution and climate style. The third climate zone is in the rear – with separately-adjustable temperature and airflow.	●	●



> Request a call back



> Find a Retailer

Standard equipment

17

Item

Paint, Trim and Upholstery

	GT 63 S 4MATIC+ Premium	GT 63 S 4MATIC+ Premium Plus
Dashboard – upper section in ARTICO leather ¹	●	●
Paint – non-metallic	●	●
Trim – AMG carbon fibre	●	●
Upholstery – black nappa leather	●	●
Roof lining – black fabric	●	●

Item

Security and Safety

	GT 63 S 4MATIC+ Premium	GT 63 S 4MATIC+ Premium Plus
Anti-Theft Protection package	●	●
Active Lane Keeping Assist	●	●
Acceleration Skid Control (ASR)	●	●
Active Brake Assist	●	●
Adaptive brake lights	●	●
Airbags – driver and front passenger	●	●
Airbags – front sidebags	●	●
Airbags – kneebags for driver	●	●
Airbags – windowbags	●	●
Alarm system with immobiliser and interior protection (MBSS3)	●	●
Anti-lock braking system (ABS) with Brake Assist (BAS)	●	●
AMG three-stage Electronic Stability Programme (ESP®)	●	●
ATTENTION ASSIST Monitors steering behaviour and can help alert to long journey fatigue	●	●
Automatic child seat recognition sensor Works in conjunction with Mercedes-Benz child seats fitted with transponder	●	●
Automatic deactivation of front passenger airbag	●	●



> Request a call back



> Find a Retailer

Item

Security and Safety (continued)

GT 63 S 4MATIC+ Premium
GT 63 S 4MATIC+ Premium Plus

Blind spot assist	●	●
Brake pad wear indicator – front brakes	●	●
Crosswind Assist	●	●
Electric parking brake	●	●
Electronic Stability Programme (ESP®) with Acceleration Skid Control (ASR)	●	●
First-aid kit	●	●
ISOFIX child seat (two outer seats)	●	●
Mercedes-Benz emergency call system	●	●
Pedestrian protection	●	●
PRE-SAFE® system	●	●
Rear seat belt status indicator	●	●
Remote central locking	●	●

Standard equipment

18

Item

GT 63 S 4MATIC+ Premium
GT 63 S 4MATIC+ Premium Plus

Seat belt pre-tensioners, belt force limiters and automatic belt height adjustment – front and outer rear seats	●	●
Seat belts, black (4)	●	●
Seat belts, rear – three-point (2)	●	●
Service interval indicator ASSYST	●	●
Tyre pressure monitoring system	●	●
TIREFIT with tyre inflation compressor	●	●
Traffic Sign Assist Speed Limit Assist with wrong-way warning function and display of speed limit in instrument cluster	●	●
Tyre pressure monitoring system	●	●



Item

Communications and In-Car Entertainment

GT 63 S 4MATIC+ Premium
GT 63 S 4MATIC+ Premium Plus

AMG TRACK PACE iOS smartphone app is your ideal tool for a detailed and professional analysis of your own particular driving style	●	●
Burmester® surround sound system 14 speakers and 10-channel DSP amplifier with total output of 640 W	●	●
COMAND Online system with Media Interface and touchpad Includes DAB radio, 12.3-inch colour display, hard disk drive (HDD) navigation with 3D map display, Live Traffic Information and European map data updates free of charge for the first three years, Speed Limit Assist and LINGUATRONIC voice control. Integrated WLAN hotspot for onboard access of WLAN-enabled devices. Also includes SD memory card slot, 10 GB music register and MP3 compatibility. Bluetooth® interface with high-definition call quality for hands-free telephony. Media Interface allows connection and control of portable media devices (e.g. MP3 player, USB storage media)	●	●
DAB digital radio tuner	●	●
Digital operating instructions	●	●

Item

GT 63 S 4MATIC+ Premium
GT 63 S 4MATIC+ Premium Plus

Mercedes me connect (standard services) Including emergency call system (eCall), accident recovery, breakdown management and maintenance management; Mercedes-Benz apps and in-car internet access for Facebook, internet radio, sending routes from Google Maps™ to the vehicle, news and weather reports; internet- enabled mobile phone required	●	●
Smartphone integration – consisting of Apple CarPlay™ only Compatible iPhones (iPhone 5 and newer) can be integrated into the vehicle via Apple CarPlay™. Please check on www.apple.com/uk/ios/carplay/ for compatibility and approved apps. Certain features and apps require a 3G or 4G data connection. Control of features available through voice control and controller on centre console	●	●
Touchpad – integrated into centre console with clear haptic feedback	●	●
USB ports in the rear (2)	●	●
Wireless charging system (front) for mobile devices Charges mobile phones which support the Qi standard wirelessly on a charging surface; Near Field Communication (NFC) for quickly connecting to mobile phone	●	●



> Request a call back



> Find a Retailer

Wheels



RVM 20" AMG alloy wheels (4) – multi-spoke design, painted titanium grey
front 265/40 tyres; 295/35 rear tyres

AMG GT 63 S 4MATIC+ Premium	●
AMG GT 63 S 4MATIC+ Premium Plus	-



RWE 21" AMG forged alloy wheels (4) – cross-spoke design, painted matt black
front 275/35 tyres; rear 315/30 tyres

AMG GT 63 S 4MATIC+ Premium	-
AMG GT 63 S 4MATIC+ Premium Plus	●

Optional AMG high-performance ceramic composite braking system (code B07) shown



Rear Luxury Lounge package



Individual rear seats with 'AMG' lettering

Turn your vehicle into a business jet on wheels: the high-class rear suite complements the vehicle's outstanding performance with a particularly luxurious interior. Treat your rear passengers with comfortable individual seats, a classy atmosphere and simple access to a comprehensive range of infotainment functions and comfort features.

Rear Luxury Lounge package (code DP5) – designed and priced as a package, including items listed below.

Total incl. VAT £3,000.00

Rear Luxury Lounge package comprises:

Centre console with stowage compartment

Individual rear seats with 'AMG' lettering

Temperature-controlled cup holders (2)

Touchscreen centre display with access to numerous infotainment controls

Preinstallation for entertainment and comfort features

Sidebags in rear

Wireless charging in rear



Wireless charging in rear



Touchscreen centre display



> Request a call back



> Find a Retailer

AMG Aerodynamics package



Fixed rear aerofoil in high-gloss black



Diffuser trim in silver chrome

Courtesy of the superb finishing on the AMG Aerodynamics package, the Mercedes-AMG GT 63's performance can be enhanced even further. A larger front splitter, flowing into flics at the air intakes, a fixed rear wing and flics on the front wheel arches all increase downforce pressure. This improves ride characteristics at speed, enhancing lateral acceleration, driving stability and braking distance. The AMG Aerodynamics Package is rounded off by specific side sill attachments that provide a striking, sporty look.

AMG Aerodynamics package (code B26) – designed and priced as a package, including items listed below.

Total incl. VAT £2,495.00

AMG Aerodynamics package comprises:

Deflector elements at side air outlets of the rear wings

Extensively optimised front apron with larger front splitter and additional air deflector elements at the air intakes and the front wheel arches

Fixed rear aerofoil in high-gloss black

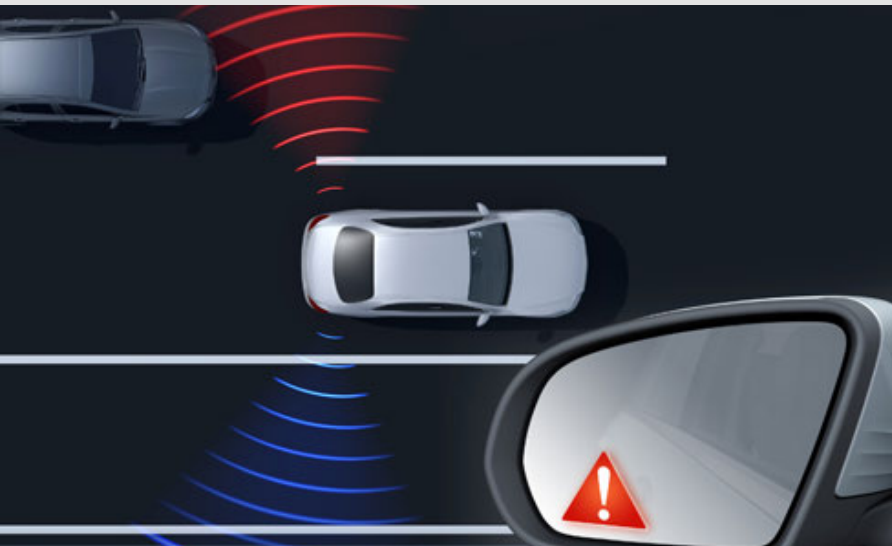
Further optimised diffuser integrated in the rear apron



Driving Assistance package



Active Distance Assist DISTRONIC



Active Steering Assist

Driving Assistance package (code P20) – including items listed below.

Total incl. VAT £1,695.00

Active Distance Assist DISTRONIC controls the distance to vehicles in front up to a speed of 131mph and if necessary brakes the vehicle with up to 50% of the maximum braking power

Active Steering Assist helps the driver keep the vehicle in the centre of its lane on straight stretches of road or slight bends. Reduces the risk of accidents and improves protection for both the occupants and other road users

Active Speed Limit Assist adopts speed limits detected automatically as the new set speed for Active Distance Assist DISTRONIC

Active Braking Assist with Cross-Traffic Function and Congestion emergency braking function can help to avoid or lessen the consequences of accidents with vehicles in front as well as crossing vehicles and pedestrians

Evasive Steering Assist is able to support the driver with making an evasive manoeuvre when, in a situation of danger, he/she decides to avoid a pedestrian who has been detected by the system

Active Blind Spot Assist can warn the driver of vehicles in the blind spot during a lane change and can help to avoid a collision by means of one-sided brake application

Active Lane Keeping Assist can warn the driver when they unintentionally leave their lane and can use one-sided brake applications to help manoeuvre the vehicle back into its lane (including in the case of broken lane markings if there is a risk of collision)

PRE-SAFE® PLUS is able to initiate preventive measures to protect occupants against an impending rear impact, including warning traffic following behind, activating the seat belt tensioners or applying the brakes when the vehicle is stationary

Route-based speed adaptation. Adaption of speed before curves, roundabouts, junctions, toll roads. Allows for smoother and more accurate functionality of several driving assistant systems



AMG high-performance ceramic composite braking system



Reliability in extreme situations, even after full brake application several times in succession: The AMG ceramic high-performance composite brake system delivers deceleration performance that you can count on even in exceptional situations. It is also lighter than conventional brake systems – less unsprung masses for enhanced driving dynamics and agility.

AMG high-performance ceramic composite braking system (code B07) – designed and priced as a package, including items listed below.

Total incl. VAT £5,995.00

AMG high-performance ceramic composite braking system comprises:

Composite brake discs: 402×39 mm front and 360×32 mm rear

Specially-painted bronze brake calipers with 'AMG Carbon Ceramic' lettering



ServiceCare

Item	Notes	GT 63 S 4MATIC+ Premium GT 63 S 4MATIC+ Premium Plus		Basic RRP excl. VAT (£)	Total RRP incl. VAT (£)	
<p>Service Package</p> <p>ServiceCare ServiceCare allows you to spread the cost of servicing your new car in the Mercedes-Benz Retailer network. Taking out a ServiceCare plan ensures your servicing needs are taken care of by fully trained Mercedes-Benz Technicians with the added benefit of a Mercedes-Benz service history</p>	<p>Price is based on a monthly rate. Example given is for two services taken over 24 months; three services over 36 months; or four services over 48 months. Further payment options are available. New ServiceCare prices apply only to vehicles up to 12 months old prior to first service</p>		1	<input type="radio"/>	<input type="radio"/>	40.83



> Request a call back



> Find a Retailer

Colours, trim and upholstery





> Request a call back



> Find a Retailer

Non-metallic and metallic paints (standard and additional-cost options)



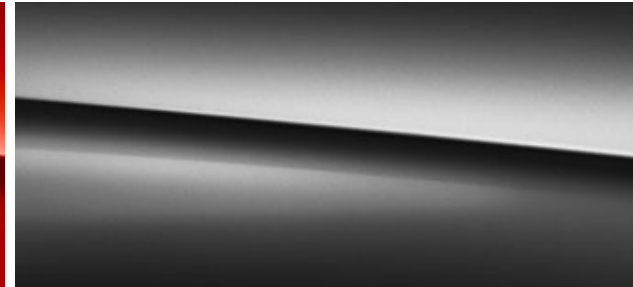
149 polar white¹

standard



589 jupiter red¹

no-cost option



197 obsidian black metallic

Total incl. VAT £945.00



775 iridium silver metallic

Total incl. VAT £945.00



831 graphite grey metallic

Total incl. VAT £945.00



896 brilliant blue metallic

Total incl. VAT £945.00

¹Non-metallic paint Please note that, owing to limitations of on-screen representation, paint colours may differ from those shown

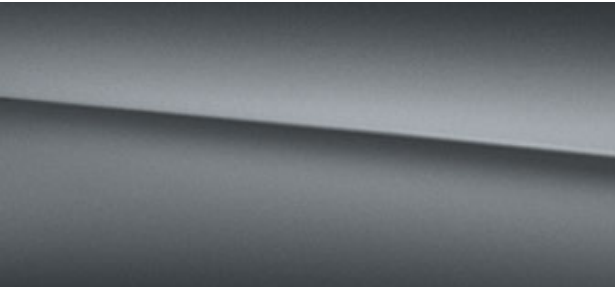


> Request a call back



> Find a Retailer

Special paints (additional-cost options)



297 selenite grey magno¹

Total incl. VAT £2,145.00



799 designo diamond white bright

Total incl. VAT £1,695.00



644 brilliant blue magno¹

Total incl. VAT £2,145.00

¹designo magno matt paint finishes require extra care. Please refer to the Owner's Manual for instructions

Please note that, owing to limitations of on-screen representation, paint colours may differ from those shown



> Request a call back



> Find a Retailer

Trim and upholstery (standard)



H73 AMG carbon fibre



801A black nappa leather¹



808A black/magma grey nappa leather¹

no-cost option

¹100% of seat upholstery is pure leather



> Request a call back



> Find a Retailer

Exclusive nappa leather¹ (additional-cost option)

Exclusive nappa leather refines the entire interior, including roof lining in black DINAMICA microfibre



501A black/black

Total incl. VAT £2,295.00



504A black/truffle brown

Total incl. VAT £2,295.00



507A black/red pepper

Total incl. VAT £2,295.00



508A black/magma grey

Total incl. VAT £2,295.00

¹100% of seat upholstery is pure leather



> Request a call back



> Find a Retailer

Exclusive nappa STYLE leather¹ (additional-cost option)

Exclusive nappa STYLE leather includes black DINAMICA microfibre roof lining as standard



554A saddle brown/black

Total incl. VAT £2,885.00



565A macchiato beige/magma grey²

Total incl. VAT £2,885.00

¹100% of seat upholstery is pure leather ²Only available in conjunction with macchiato beige DINAMICA microfibre roof lining (code 65U)



Technical data

		Petrol engine	
Model		Mercedes-AMG GT 63 S 4MATIC+	
Engine			
Total displacement	cc	3,982	
Arrangement/cylinders/valves		V/8/32	
Power ¹	hp (kW) at rpm	639 (470)/5,500–6,500	
Torque ¹ (auto.)	Nm at rpm	900/2,500–4,500	
Compression ratio		8.6:1	
Transmission			
AMG SPEEDSHIFT MCT 9-speed sports transmission		●	
Tyre sizes			
Front		265/40 ZR20	
Rear		295/35 ZR20	

		Petrol engine	
Model		Mercedes-AMG GT 63 S 4MATIC+	
Performance			
Acceleration 0–62 mph	sec	3.2	
Top speed	mph	196	
Weights and capacities			
Kerb weight ²	kg	2,120	
Perm. Gross Vehicle Weight	kg	2,560	
Boot capacity	l	461	
Fuel tank capacity/of which reserve	l	80/12	
Turning circle	m	12.60	
Fuel consumption^{3,4,5}			
Combined (consumption dependent on chosen optional equipment)	l/100 km mpg	12.8–13.2 22.1–21.4	

● Standard ¹Figures according to Directive 80/1269/EEC in the currently applicable version

²Mass of the vehicle in running order with at least 90% full fuel tank, plus the mass of the driver (estimated by law at 75kg), fuel and fluids, equipped with the standard equipment as specified by the manufacturer as well as, where applicable, the mass of the body, cab, trailer coupling and spare wheel(s) as well as tools. Optional extras, additional equipment and accessories can influence the weight, residual payload, rolling resistance, aerodynamics, etc., and therefore also affect the consumption/CO₂ values

³All figures are based on a standard specification with the smallest tyre size ⁴The choice of wheels and transmission may affect CO₂ emissions and corresponding Road Fund Licence

⁵The indicated values were determined according to the prescribed measurement method – Worldwide Harmonised Light Vehicle Test Procedure (WLTP). Figures shown may include options which are not available in the UK



	Petrol engine
Model	Mercedes-AMG GT 63 S 4MATIC+
CO₂ emissions^{4,5,*}	g/km
Emissions standard	Euro 6d-TEMP-EVAP-ISC
20" alloy wheels	257
21" alloy wheels	257

	Petrol engine
Model	Mercedes-AMG GT 63 S 4MATIC+
Insurance	
Group rating	tba
Insurance ratings may vary depending on model line and specification. Please refer to http://www.thatcham.org/abigrouprating/ for further details	

⁴The choice of wheels and transmission may affect CO₂ emissions and corresponding Road Fund Licence

⁵The indicated values were determined according to the prescribed measurement method - Worldwide Harmonised Light Vehicle Test Procedure (WLTP). Figures shown may include options which are not available in the UK

*CO₂ figures have been converted into NEDC-equivalent values for use with the current VED and BIK tax legislation

Figures shown are for comparability purposes; only compare with other cars tested to the same technical procedures. Figures may not reflect real life driving results, which will depend upon a number of factors including factory-fitted options, accessories fitted (post registration), variations in weather, driving styles and vehicle load. Further information about the test used to establish fuel consumption and CO₂ figures can be found at <http://www.mercedes-benz.co.uk/WLTP>

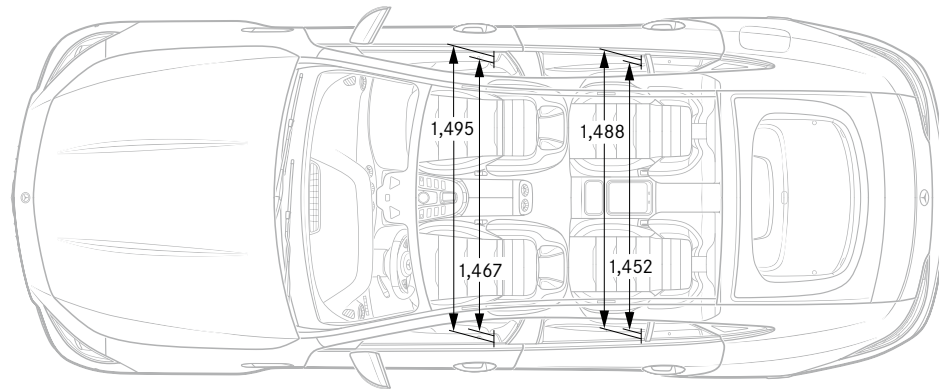
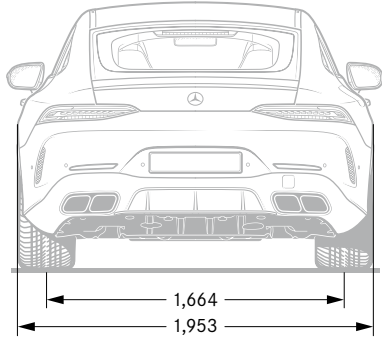
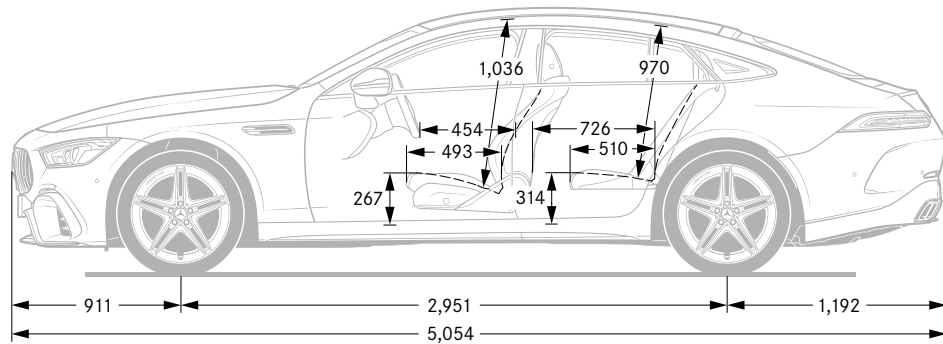
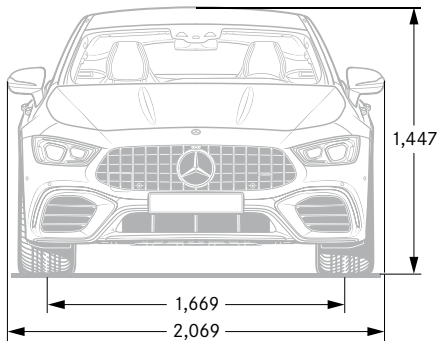


> Request a call back



> Find a Retailer

Mercedes-AMG GT 63 S 4MATIC+



All measurements in millimetres. The dimensions shown are mean values and apply to standard-specification, unladen vehicles. Wheels shown not representative of actual UK model. The figures on pages 32-34 are correct at time of publication



Road Fund Licence



All road vehicle registrations are subject to Vehicle Excise Duty (Road Fund Licence), which varies in accordance with the vehicle's CO₂ emissions. A first year rate for each taxation band will apply. The table below shows the bands (A–M) created by the DVLA and the corresponding Road Fund Licence. CO₂ emissions are listed in the technical data on page 33, and the relevant Excise Duty is reflected in the on-the-road prices on pages 6 and 9.

Band	CO ₂ emissions (g/km)	First year rate petrol and RDE2 diesel (£)	First year rate all other diesel (£) ¹	First year rate alternative fuel (£)	Standard rate (£)	Premium rate (£) ²
A	0	0.00	0.00	0.00	0.00	320.00
B	1 to 50	10.00	25.00	0.00	145.00	465.00
C	51 to 75	25.00	110.00	15.00	145.00	465.00
D	76 to 90	110.00	130.00	100.00	145.00	465.00
E	91 to 100	130.00	150.00	120.00	145.00	465.00
F	101 to 110	150.00	170.00	140.00	145.00	465.00
G	111 to 130	170.00	210.00	160.00	145.00	465.00
H	131 to 150	210.00	530.00	200.00	145.00	465.00
I	151 to 170	530.00	855.00	520.00	145.00	465.00
J	171 to 190	855.00	1,280.00	845.00	145.00	465.00
K	191 to 225	1,280.00	1,815.00	1,270.00	145.00	465.00
L	226 to 255	1,815.00	2,135.00	1,805.00	145.00	465.00
M	over 255	2,135.00	2,135.00	2,125.00	145.00	465.00

¹Applies to all Mercedes-Benz diesel models which do not comply with Real Driving Emissions step 2 (RDE2)

²Premium rate only applicable to vehicles where the list price is over £40,000 including any factory-fitted options, standard UK delivery charge, number plates, fuel and VAT



Services and insurance

Mercedes-Benz ServiceCare

We believe that servicing costs should be as flexible and affordable as possible for your Mercedes-AMG GT, which is why we offer ServiceCare, an easy way to budget for all your servicing costs. It spreads your bills into manageable payments based on whether you have a new or used Mercedes-Benz.

With ServiceCare we guarantee the price of parts and labour for up to four services and safeguard against any further inflation. It also covers the cost of all recommended service items including brake fluid, spark plugs, air filters, fuel filters and screen wash.

You can choose either to add your servicing costs into your monthly spend or pay the full amount in a one-off payment, giving you peace of mind that they are taken care of for the period of the plan.

To receive a personalised ServiceCare plan recommendation visit the ServiceCare Calculator at servicecarerates.mercedes-benz.co.uk

Warranty and breakdown cover

Every Mercedes-Benz comes with a three-year unlimited mileage warranty against manufacturing or material defects¹ and up to 30 years warranty against perforation due to corrosion from the inside out.² What's more, it's also covered by Mercedes-Benz Roadside Assistance – a unique package comprising up to 30 years pan-European breakdown assistance.²

Motor Insurance

Superb cover comes as standard. When reviewed by an independent research company, Defaqto, Mercedes-Benz Motor Insurance received a five-star rating, the highest rating available. We design our Motor Insurance specifically for Mercedes-Benz drivers.

For more information or to obtain a quote, click [here](#).



> Request a call back



> Find a Retailer

Mercedes me connect

Mercedes me connect enables you to connect to your car via desktop, tablet or smartphone via an app. It provides access to services that enhance your Mercedes-Benz experience and fit effortlessly into your daily digital routine.¹

Standard Services.

Available on all models, except G-Class.

- **Emergency Call** – if there's an accident, this feature automatically shares your vehicle location and status for a fast response from the emergency services
- **Accident & Breakdown Management** – contact our Customer Assistance Centre with a single button for fast breakdown recovery
- **Telediagnosics** – automatically detects and shares details of any vehicle wear and tear with you, and shares the data with your Retailer
- **Maintenance Management** – reminds you when your service is due and automatically shares maintenance data with your Retailer
- **Parking Time Assist** – track the time on your parking meter and receive an alert when it's due to expire



Vehicle Setup.

These services come as standard if you have COMAND Online. Available as an optional £69 upgrade for all other customers.

- **Personal Profile** – store your preferences, such as your favourite radio stations and apps, to create your personal driver profile
- **Maintenance (Vehicle Status)** – check safety information, such as coolant level and brake pad condition, so you can be sure your car is safe and ready to drive
- **Remote Door Unlock** – lock and unlock your car remotely, wherever you are in the world
- **Send to Car Function** – search for destinations on your smartphone, tablet or desktop, then send the routes direct to your car for navigation

¹Currently unavailable in the Channel Islands and the Isle of Man



Remote Online Services.

Standard on all models with COMAND Online, except for new E-Class. Available to purchase for an additional £150.00 (incl. VAT) for all models without COMAND Online.

- **Trip information and vehicle status** – access the vehicle's trip data such as fuel level, mileage, condition of brake pads and tyre pressure
- **Remote door locking and unlocking** – lock and unlock your car remotely, wherever you are in the world
- **Geofencing** – set up a geographical boundary and receive alerts whenever your car enters or leaves this area
- **Parked Vehicle Locator** – locate your parked vehicle within a range of one mile and plot a route back to it
- **Vehicle Tracker** – track the location of your car anywhere in the world

Additional services for Plug-In Hybrid and electric models only, as part of Remote Online services:

- **Pre-entry climate control** – activate the pre-entry climate control system of your parked vehicle and set the temperature to your liking before boarding
- **Route planning** – displays the electric operating range on a map and enables you to plan a route while stopping at public charging stations
- **Charging points** – displays a list of the nearest public charging stations
- **Charging profile** – control the charging settings from a distance so your vehicle can be ready charged when you need it

Vehicle Monitoring.

Standard with COMAND Online for all models, except the new E-Class. Available to purchase for new E-Class and all other customers as an additional £69 upgrade.

- **Geo-fencing** – set up a geographical boundary and receive alerts whenever your car enters or leaves this area
- **Parked Vehicle Locator** – locate your parked car when within 1 mile and plot a route back to it
- **Vehicle Tracker** – track the location of your car anywhere in the world

Visit the Mercedes me connect store for more information:

shop.mercedes-benz.com/en-gb/connect



Mercedes-Benz Finance

Why should you finance with Mercedes-Benz?

At Mercedes-Benz we believe a great driving experience should be matched by an equally great ownership experience. That is why we put just as much thought, time and effort into designing our finance options, our service plans and our insurance cover as we do into our vehicles.

We are not in the business of simply providing a loan to fund the purchase of your dream vehicle. We look on it as a journey that we take with you, from the moment you choose your new Mercedes-Benz, to helping you in choosing your next one.

If you would like to find out more about any of our current offers, simply call into your local Mercedes-Benz Retailer where one of our Business Managers will be more than happy to talk you through anything you need to know.

Helping you find the right solution.

You should find our finance packages are more convenient than a traditional personal loan because:

- Funds are immediately available – no waiting for cheques or loans to clear.
- There is no security required – either against your home or other assets.
- We have clear and transparent rates – the APR we quote is the APR you get.
- We have friendly Business Managers – experts in vehicle finance who can talk you through all of your plans in detail.

One of our most popular finance products is Mercedes-Benz Agility (our Personal Contract Purchase product). We also offer Contract Hire, Operating Lease and Hire Purchase solutions. If you would like to find out more about these speak to your Retailer or visit www.mercedes-benz.co.uk/fandi.

Mercedes-Benz Agility (our PCP product).

At the start of an Agility agreement, you put down a deposit and decide the term of your agreement and your annual mileage. You will be advised of the Guaranteed Future Value, which offers you the reassurance of knowing exactly what you will need to pay to own the vehicle outright in the future (this is known as the Optional Purchase Payment).

Throughout your agreement you simply pay your agreed monthly payments and when the agreement comes to an end you either purchase, hand back or part-exchange your vehicle.





Agility features:

- Fixed regular payments mean you can easily budget.
- Payments are based only on a proportion of the vehicle's value, keeping your monthly payments lower.
- Our Guaranteed Future Value avoids the risk of unplanned depreciation of your vehicle.
- You defer your ownership decision until the end of the agreement.

At the end of your agreement you have three options to choose from.

Option 1: Purchase your Mercedes-Benz.

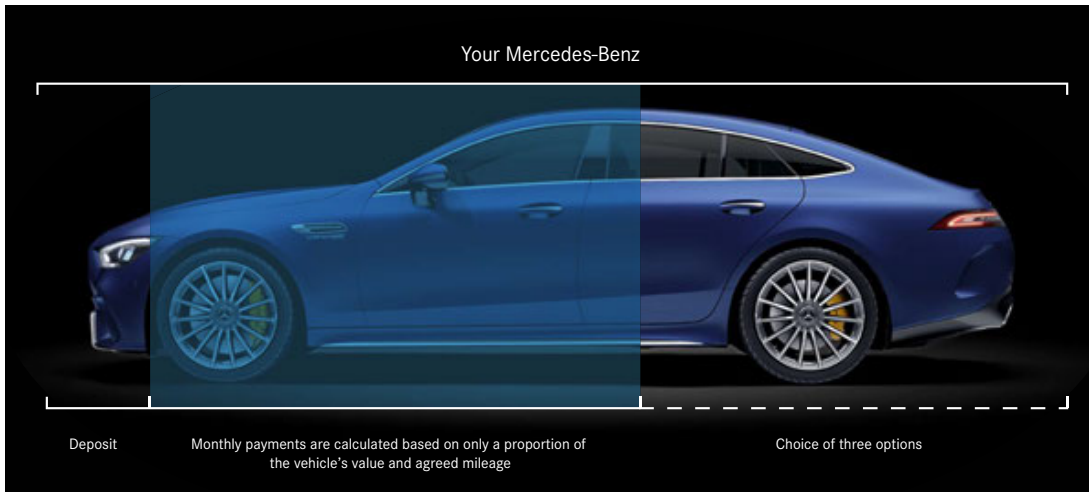
Purchase your Mercedes-Benz by paying the Optional Purchase Payment and Purchase Activation Fee.¹ This will complete the purchase of your Mercedes-Benz, leaving you free to simply enjoy your vehicle.

Option 2: Hand back your Mercedes-Benz.

If you decide to return your vehicle to us, it must be in line with our Vehicle Return Standards,^{*} as vehicle condition, excess mileage and other charges may be payable.

Option 3: Part-Exchange for a new vehicle.

Purchase your Mercedes-Benz by paying the Optional Purchase Payment and Purchase Activation Fee.¹ This will complete the purchase of your Mercedes-Benz, leaving you free to part-exchange for a new vehicle.



¹Please note the 'Purchase Activation Fee' of £10 will be debited from your account *To find out more information about our Vehicle Return Standards please visit <http://mercedes-benz.co.uk/vrs>





> Request a call back





> Find a Retailer

Follow us on the following social media channels:

 facebook.com/mercedesbenzuk

 twitter.com/mercedesbenzuk

 youtube.com/mercedesbenzuk

 instagram.com/mercedesbenzuk

Effective from December 2019 Production. Information correct at time of publication.

Prices and specifications are subject to change without prior notice.

MBCR190PL/1119

Mercedes-Benz Cars UK Limited, Tongwell, Milton Keynes, MK15 8BA. Company number 2448457. www.mercedes-benz.co.uk