



Book a test drive

- > Coupé
- > Cabriolet
- > AMG



View offers

- > Coupé
- > Cabriolet



Find a Retailer



View the Range Guide

S-Class

Coupé and Cabriolet



Effective from December 2019 Production.

Mercedes-Benz





Book a
test drive

- > Coupé
- > Cabriolet
- > AMG



View offers

- > Coupé
- > Cabriolet



> Find a Retailer



> View the Range Guide

Contents

9 Model lines	31 AMG Exclusive Nappa Leather package	53 Road Fund Licence
19 Mercedes-AMG driver training	32 Driving Assistance package	54 Services and insurance
20 Standard equipment	33 ServiceCare	55 Mercedes me
27 Wheels	34 Colours and materials	57 Mercedes-Benz Finance
29 AMG Night package	43 Genuine Accessories	
30 Exclusive Nappa Leather package	45 Technical data	



Book a
test drive

- > Coupé
- > Cabriolet
- > AMG



View offers

- > Coupé
- > Cabriolet



> Find a Retailer



> View the Range Guide

3

Grand touring.

The S-Class Coupé sets the benchmark.



Some of the model features, optional extras and colours shown may not be available, or may only be available in a different specification.



Book a test drive

- > Coupé
- > Cabriolet
- > AMG



View offers

- > Coupé
- > Cabriolet



Find a Retailer



View the Range Guide



Some of the model features, optional extras and colours shown may not be available, or may only be available in a different specification.



Book a
test drive

- > Coupé
- > Cabriolet
- > AMG



View offers

- > Coupé
- > Cabriolet



> Find a Retailer



> View the Range Guide

5



Open-air luxury.

Defined by the S-Class Cabriolet.

Some of the model features, optional extras and colours shown may not be available, or may only be available in a different specification.



Book a
test drive

- > Coupé
- > Cabriolet
- > AMG



View offers

- > Coupé
- > Cabriolet



> Find a Retailer



> View the Range Guide



Some of the model features, optional extras and colours shown may not be available, or may only be available in a different specification.



Book a
test drive

- > Coupé
- > Cabriolet
- > AMG



View offers

- > Coupé
- > Cabriolet



> Find a Retailer



> View the Range Guide

Invigorating.

The Mercedes-AMG S 63: the epitome of power and sophistication.



Some of the model features, optional extras and colours shown may not be available, or may only be available in a different specification.



Book a test drive

- > Coupé
- > Cabriolet
- > AMG



View offers

- > Coupé
- > Cabriolet



Find a Retailer



View the Range Guide



Some of the model features, optional extras and colours shown may not be available, or may only be available in a different specification.



Book a
test drive

- > Coupé
- > Cabriolet
- > AMG



View offers

- > Coupé
- > Cabriolet



> Find a Retailer



> View the Range Guide

S 560 Grand Edition



Petrol – 3,982 cc, 8-cylinder, 469 hp/345 kW,
9G-TRONIC 9-speed automatic

	Basic RRP excl. VAT	Total RRP incl. VAT	Road Fund Licence ²	Rec. OTR price ³	P11D value	BiK tax rate 2019/20
S 560 Grand Edition – Coupé (CO ₂ 230 g/km ^{1,*})	£92,141.66	£110,570.00	£1,815.00	£113,180.00	£111,310.00	37%
S 560 Grand Edition – Cabriolet (CO ₂ 235 g/km ^{1,*})	£101,970.84	£122,365.00	£1,815.00	£124,975.00	£123,105.00	37%

¹The indicated values were determined according to the prescribed measurement method – Worldwide Harmonised Light Vehicle Test Procedure (WLTP). Figures shown may include options which are not available in the UK

^{*}CO₂ figures have been converted into NEDC-equivalent values for use with the current VED and BiK tax legislation

Figures shown are for comparability purposes; only compare with other cars tested to the same technical procedures. Figures may not reflect real life driving results, which will depend upon a number of factors including factory-fitted options, accessories fitted (post registration), variations in weather, driving styles and vehicle load. Further information about the test used to establish fuel consumption and CO₂ figures can be found at <http://www.mercedes-benz.co.uk/WLTP>

²A different first year rate of Vehicle Excise Duty (Road Fund Licence) applies for new cars. Please refer to page 53 for the relevant rate for the second and subsequent years

³The recommended on-the-road price includes the Road Fund Licence applicable to the standard model plus delivery charge (£715.00 incl. VAT), new vehicle registration fee (£55.00) and number plates (£25.00 incl. VAT). VAT is calculated at the standard rate of 20%



Book a test drive

- > Coupé
- > Cabriolet
- > AMG



View offers

- > Coupé
- > Cabriolet



Find a Retailer



View the Range Guide





Book a test drive
 > Coupé
 > Cabriolet
 > AMG



View offers
 > Coupé
 > Cabriolet



> Find a Retailer



> View the Range Guide

Dynamic from the word go, the S 560 Grand Edition sports 20" AMG alloy wheels, AMG bodystyling and 'Grand Edition' badging on the front wings. The alluring appearance is completed by the striking LED Intelligent Light System and the OLED tail lights which exude a unique day and night design. The journey becomes effortless with the combination of the V8 high-performance engine and the high levels of sophisticated technology

that the Grand Edition provides as standard. The interior ambiance is as luxurious as you would expect from the S-Class. The Front Seat Comfort package enables heating, cooling and massage functionality for both driver and passenger. When combined with the Burmester® surround sound system, ambient lighting and nappa leather upholstery, this provides a truly remarkable driving experience.

Exterior




KEYLESS-GO Comfort package
9G-TRONIC transmission with steering column gear selector, steering wheel gearshift paddles (Direct Select) and SPEEDTRONIC cruise control
20" AMG alloy wheels – 10-spoke design
Active Parking Assist incl. PARKTRONIC and 360° camera
AIRMATIC air suspension with level adjustment and Adaptive Damping System
AMG bodystyling
Closing aid for doors and boot lid
Downward projection of Mercedes-Benz logo from the doors
Grand Edition badging on wings
Headlamps – LED Intelligent Light System and OLED tail lights
MAGIC VISION CONTROL – adaptive windscreen wiper system
Metallic paint
Panoramic roof – fixed (Coupé only)
Trickle charger

Interior

AIR-BALANCE package
Front Seat Comfort package – active multi-contour front seats with dynamic and massage function
Front Seat Memory package
Warmth Comfort package – heatable armrests in centre console and doors; heated multifunction 3-spoke sports steering wheel in wood/leather finish (code L2D)
Ambient lighting – choice of 64 colour settings
AMG floor mats with 'AMG' lettering
Burmester® surround sound system
COMAND Online system with 12.3-inch media display
Dual-bonded widescreen cockpit display (12.3-inch)
ENERGIZING Comfort – intelligent cross-linking of all comfort systems. Drivers can choose out of six different expert configured programs for activation and relaxation, depending on their personal needs
Illuminated 'Mercedes-Benz' door sill panels

Smartphone integration with Android Auto™ and Apple CarPlay™ ¹
Wireless phone charging – front ¹

Trim and Upholstery

Black poplar wood

Nappa leather – black

Nappa leather – porcelain/espresso brown


Please refer to page 34 for the full range of trim and upholstery choices

¹Compatible mobile phone required



Book a
test drive

- > Coupé
- > Cabriolet
- > AMG



View offers

- > Coupé
- > Cabriolet



> Find a Retailer



> View the Range Guide

Mercedes-AMG S 63



Petrol – 3,982 cc, 8-cylinder, 612 hp/450 kW,
AMG SPEEDSHIFT MCT 9-speed automatic

	Basic RRP excl. VAT	Total RRP incl. VAT	Road Fund Licence ²	Rec. OTR price ³	P11D value	BiK tax rate 2019/20
Mercedes-AMG S 63 – Coupé (CO ₂ 231 g/km ^{1,*})	£107,750.00	£129,300.00	£1,815.00	£131,910.00	£130,040.00	37%
Mercedes-AMG S 63 – Cabriolet (CO ₂ 250 g/km ^{1,*})	£118,662.50	£142,395.00	£1,815.00	£145,005.00	£143,135.00	37%

¹The indicated values were determined according to the prescribed measurement method – Worldwide Harmonised Light Vehicle Test Procedure (WLTP). Figures shown may include options which are not available in the UK

^{*}CO₂ figures have been converted into NEDC-equivalent values for use with the current VED and BiK tax legislation

Figures shown are for comparability purposes; only compare with other cars tested to the same technical procedures. Figures may not reflect real life driving results, which will depend upon a number of factors including factory-fitted options, accessories fitted (post registration), variations in weather, driving styles and vehicle load. Further information about the test used to establish fuel consumption and CO₂ figures can be found at <http://www.mercedes-benz.co.uk/WLTP>

²A different first year rate of Vehicle Excise Duty (Road Fund Licence) applies for new cars. Please refer to page 53 for the relevant rate for the second and subsequent years

³The recommended on-the-road price includes the Road Fund Licence applicable to the standard model plus delivery charge (£715.00 incl. VAT), new vehicle registration fee (£55.00) and number plates (£25.00 incl. VAT). VAT is calculated at the standard rate of 20%



Book a test drive

- > Coupé
- > Cabriolet
- > AMG



View offers

- > Coupé
- > Cabriolet



Find a Retailer



View the Range Guide



Optional features: AMG carbon fibre/black piano lacquer trim (code H10); designo Exclusive nappa leather in crystal grey/black (code 568A)





Book a
test drive

- > Coupé
- > Cabriolet
- > AMG



View offers

- > Coupé
- > Cabriolet



> Find a Retailer



> View the Range Guide

The Mercedes-AMG S 63 is defined as *the* Grand Tourer. The soundtrack is provided by the charismatic Mercedes-AMG 4.0 litre V8 coupled with the AMG sports exhaust. Whilst 612 hp ensures that the performance matches the muscular, yet elegant aesthetic.

The high levels of standard specification ensures that the S-Class remains a cut-above. From the nappa leather upholstery through to the Burmester® surround sound system there is no mistaking that you are in an S-Class.





Exterior

KEYLESS-GO Comfort package
20" AMG alloy wheels - 5-twin-spoke forged design
Active Parking Assist incl. PARKTRONIC and reversing camera
AMG front apron with body coloured jet wing and trim strip in high-gloss chrome
AMG-specific grille
AMG SPEEDSHIFT MCT 9-speed sports transmission with RACE START function
AMG sports exhaust system with chrome-plated twin tailpipes, two modes (selectable sound)
AMG sports suspension based on AIRMATIC air suspension
Headlights - LED Intelligent Light System and OLED tail lights
Panoramic roof - fixed (Coupé only)
Trickle charger
'V8 BITURBO' lettering on front wings

Interior

AIR-BALANCE package (see page 23)
AMG dual-bonded widescreen cockpit display (12.3-inch)
AMG nappa leather sports seats with AMG V8-specific seat layout, optimised lateral support and AMG badge in front and rear backrests
AMG performance steering wheel in nappa leather with perforated grip area, 3-spoke design, touch control steering wheel pads
AMG steering wheel buttons
Ambient lighting - choice of 64 colour settings
Burmester® surround sound system
COMAND Online system with 12.3-inch media display
ENERGIZING Comfort - intelligent cross-linking of all comfort systems
Illuminated AMG door sill panels with 'AMG' lettering

Trim and Upholstery

Black poplar wood ¹

Brown burr walnut wood ¹

Nappa leather - black

Nappa leather - porcelain/espresso brown


Please refer to page 34 for the full range of trim and upholstery choices

¹Choice of either black poplar or brown burr walnut wood trim



Book a
test drive

- > Coupé
- > Cabriolet
- > AMG



View offers

- > Coupé
- > Cabriolet



> Find a Retailer



> View the Range Guide

Mercedes-AMG S 63 Premium



Petrol – 3,982 cc, 8-cylinder, 612 hp/450 kW,
AMG SPEEDSHIFT MCT 9-speed automatic

	Basic RRP excl. VAT	Total RRP incl. VAT	Road Fund Licence ²	Rec. OTR price ³	P11D value	BiK tax rate 2019/20
Mercedes-AMG S 63 Premium – Coupé (CO ₂ 233 g/km ^{1,*})	£115,245.84	£138,295.00	£1,815.00	£140,905.00	£139,035.00	37%
Mercedes-AMG S 63 Premium – Cabriolet (CO ₂ 250 g/km ^{1,*})	£123,658.34	£148,390.00	£1,815.00	£151,000.00	£149,130.00	37%

¹The indicated values were determined according to the prescribed measurement method – Worldwide Harmonised Light Vehicle Test Procedure (WLTP). Figures shown may include options which are not available in the UK

^{*}CO₂ figures have been converted into NEDC-equivalent values for use with the current VED and BIK tax legislation

Figures shown are for comparability purposes; only compare with other cars tested to the same technical procedures. Figures may not reflect real life driving results, which will depend upon a number of factors including factory-fitted options, accessories fitted (post registration), variations in weather, driving styles and vehicle load. Further information about the test used to establish fuel consumption and CO₂ figures can be found at <http://www.mercedes-benz.co.uk/WLTP>

²A different first year rate of Vehicle Excise Duty (Road Fund Licence) applies for new cars. Please refer to page 53 for the relevant rate for the second and subsequent years

³The recommended on-the-road price includes the Road Fund Licence applicable to the standard model plus delivery charge (£715.00 incl. VAT), new vehicle registration fee (£55.00) and number plates (£25.00 incl. VAT). VAT is calculated at the standard rate of 20%



Book a test drive

- > Coupé
- > Cabriolet
- > AMG



View offers

- > Coupé
- > Cabriolet



Find a Retailer



View the Range Guide



Optional features: anthracite blue paint (code 889), porcelain/deep sea blue designo Exclusive nappa leather (code 585A) and silk matt grey ash wood trim (code H30)





Book a test drive

- > Coupé
- > Cabriolet
- > AMG



View offers

- > Coupé
- > Cabriolet



Find a Retailer



View the Range Guide



Panoramic roof with MAGIC SKY CONTROL



17

Burmester® high-end 3D surround sound system



Head-up display



Warmth Comfort package



Book a test drive

- > Coupé
- > Cabriolet
- > AMG



View offers

- > Coupé
- > Cabriolet



Find a Retailer



View the Range Guide

The Mercedes-AMG S 63 Premium focuses on the finer details to elevate the driving experience. The exterior is transformed through the striking 20" forged AMG alloy wheels complemented by the red-painted brake calipers.

The interior is crowned by the stunning finishing touches; from the panoramic roof with MAGIC SKY CONTROL through to the Burmester® high-end 3D surround sound system.

In addition/replacement to Mercedes-AMG S 63:

Exterior

20" AMG alloy wheels – forged cross-spoke design

MAGIC SKY CONTROL (Coupé only)

Red-painted brake calipers

Interior

Warmth Comfort package – heatable armrests in centre console, doors and steering wheel heating

Burmester® high-end 3D surround sound system

Electric sunblind for rear windows

Head-up display

Trim and Upholstery

Black poplar wood¹



Brown burr walnut wood¹



Nappa leather – black



Nappa leather – porcelain/espresso brown



Please refer to page 34 for the full range of trim and upholstery choices

¹Choice of either black poplar or brown burr walnut wood trim



Book a test drive

- > Coupé
- > Cabriolet
- > AMG



View offers

- > Coupé
- > Cabriolet



> Find a Retailer



> View the Range Guide

Become the AMG expert

Unleash a new level of performance.

All Mercedes-AMG customers are invited to a complimentary adrenaline-packed driving experience, under the guidance of our driving specialists at Mercedes-Benz World.



Discover AMG at Mercedes-Benz World

- Individually tailored to your ability
- No previous track experience necessary
- See how well an AMG performs when pushed to its limits
- Put your theoretical driving knowledge to the test on a real track
- Understand the cause and effect of understeer, oversteer drift, collision avoidance and track etiquette
- Get to grips with the Mercedes-Benz World's purpose-built track and dynamic driving facilities

TERMS AND CONDITIONS

The following customers only are eligible: the first purchaser/registered keeper of a newly registered Mercedes-AMG. The complimentary Training as described in the brochure must be booked and taken within six months of delivery of your Mercedes-AMG. The Training is available Monday to Friday and is subject to availability. Requests for Saturday and Sunday will incur an additional charge. Upgrades are available for an additional cost: details upon request. Transferable to individuals who reside at the same postal address only. Mercedes-Benz Cars UK Limited reserves the right to amend or withdraw this Training experience. Attendees must hold a full UK driving licence. Attendees will be required to sign the Mercedes-Benz World Driving Risk Acknowledgement prior to undertaking the Training experience. The Training experience is also subject to the Mercedes-Benz World Terms and Conditions, as applicable. Invitation is emailed to the customer post-delivery. Permission via the customer contact preferences must be given to enable Mercedes-Benz World to contact. Retailer demonstrator vehicles are not eligible.



Book a test drive

- > Coupé
- > Cabriolet
- > AMG



View offers

- > Coupé
- > Cabriolet



> Find a Retailer



> View the Range Guide

Standard equipment



KEYLESS-GO Comfort package



AIRSCARF neck-level heating system



MAGIC VISION CONTROL



Ambient lighting – choice of 64 colour settings



Front Seat Memory package



Headlights – LED Intelligent Light System



Book a test drive
 > Coupé
 > Cabriolet
 > AMG



View offers
 > Coupé
 > Cabriolet



> Find a Retailer



> View the Range Guide

Standard equipment

Item	Grand Edition	Mercedes-AMG S 63	Mercedes-AMG S 63 Premium
Transmission and Suspension			
9G-TRONIC 9-speed automatic transmission with steering column gear selector, steering wheel gearshift paddles (Direct Select) and SPEEDTRONIC cruise control	●	-	-
AMG SPEEDSHIFT MCT 9-speed sport automatic transmission with RACE START function. ECO start/stop function and four transmission modes: 'C' (Comfort), 'S' (Sport), 'S+' (Sport Plus) and 'I' (Individual)	-	●	●
Direct Steering	●	-	-
ECO start/stop function	●	●	●
Suspension - AIRMATIC air suspension with level adjustment and Adaptive Damping System	●	-	-
Suspension - AMG sports suspension based on AIRMATIC air suspension	-	●	●
Suspension settings switch	●	●	●

Item	Grand Edition	Mercedes-AMG S 63	Mercedes-AMG S 63 Premium
Steering			
Steering - AMG speed-sensitive sports steering with variable steering ratio	-	●	●
Steering column - electrically adjustable with EASY-ENTRY function	●	●	●
Steering wheel - 3-spoke multifunction sports steering wheel in wood/black nappa leather, with perforated grip area and touch control buttons	●	-	-
Steering wheel - AMG sports steering wheel in 3-spoke design in nappa leather with perforated grip area, flattened bottom section, steering wheel trim in silver chrome with 'AMG' lettering and silver-coloured aluminium gearshift paddles, 12 o'clock marking and touch control buttons	-	●	●
Steering wheel - AMG steering wheel buttons	-	●	-



Book a test drive
 > Coupé
 > Cabriolet
 > AMG



View offers
 > Coupé
 > Cabriolet



> Find a Retailer



> View the Range Guide

Standard equipment

22

Item	Grand Edition	Mercedes-AMG S 63	Mercedes-AMG S 63 Premium
Exterior			
AMG bodystyling Comprising Mercedes-AMG S 63-specific front apron featuring front splitter and rear apron in black with matt silver side sill panels	-	●	●
AMG high-performance composite braking system	-	●	●
AMG-specific radiator grille	-	●	●
Brake calipers – painted grey with ‘Mercedes-Benz’ lettering	●	-	-
Brake calipers – painted grey with ‘AMG’ lettering	-	●	-
Brake calipers – painted red with ‘AMG’ lettering	-	-	●
Closing aid for doors and boot lid	●	●	●
Door mirrors – electrically operated, folding and heated	●	●	●
Downward projection of Mercedes-Benz logo	●	-	-
Exhaust system – AMG sports exhaust system with chrome-plated twin tailpipes, two modes (selectable sound)	-	●	●
‘Grand Edition’ badging on front wings	●	-	-
Headlights – LED Intelligent Light System LED headlights with variable light distribution for country roads and motorways, Active Light System, cornering light function, extended fog light function and Adaptive Highbeam Assist Plus	●	●	●
Heat-insulating, noise-insulating and infrared-reflecting laminated glass	●	●	●
LED indicators integrated in exterior mirrors	●	●	●

Item	Grand Edition	Mercedes-AMG S 63	Mercedes-AMG S 63 Premium
MAGIC VISION CONTROL – adaptive windscreen wiper system Allows the driver the best possible visibility even during the wiping process. Washer fluid is sprayed directly in front of the wiper blades and wiped away without delay. A heating system effectively lowers the risk of icing up	●	●	●
OLED tail lights with 66 individual organic LED lights	●	●	●
Panoramic roof – fixed (Coupé only)	●	●	-
Panoramic roof with MAGIC SKY CONTROL – controllable transparency at the touch of a button (Coupé only)	-	-	●
Petrol particulate filter	●	●	●
Radiator grille – diamond, with chrome pins	●	-	-
‘V8 BITURBO’ lettering on front wings	-	●	●



Book a test drive
 > Coupé
 > Cabriolet
 > AMG



View offers
 > Coupé
 > Cabriolet



> Find a Retailer



> View the Range Guide

Standard equipment

Item	Grand Edition	Mercedes-AMG S 63	Mercedes-AMG S 63 Premium
Interior			
AIR-BALANCE package Fragrance generator with perfume flask in glove compartment Improved filter system between intake and distribution system Oxygen ioniser in side air duct	●	●	●
Front Seat Comfort package – dynamic multi-contour seats with massage function Provides optimum lateral support by means of individually-controlled air chambers which inflate depending on steering angle, lateral acceleration and vehicle speed. Massage function has six different programmes, with a choice of low- or high-intensity settings	●	●	●
Front Seat Memory package Additional four-way electric lumbar support for front passenger seat Front seats, front head restraints, steering column and exterior door mirrors – electrically adjustable with memory	●	●	●
KEYLESS-GO Comfort package – KEYLESS-GO, remote boot closing and hands-free access Vehicle can be conveniently unlocked, started and locked, simply by carrying an electronic key. In addition, the convenient hands-free access function allows hands-off, fully-automatic opening and closing of the boot lid by performing a kicking motion under the rear bumper – particularly useful when laden with luggage	●	●	●
Warmth Comfort package Heatable armrests in centre console and doors Heated multifunction steering wheel	●	–	●
AIRCAP wind deflector (Cabriolet only)	●	●	●
AIRSCARF neck-level heating system Integrated into front head restraints, delivering warm air to head and neck area	●	●	●

Item	Grand Edition	Mercedes-AMG S 63	Mercedes-AMG S 63 Premium
Ambient lighting – choice of 64 colour settings	●	●	●
AMG dual-bonded widescreen cockpit consisting of an Instrument Display and Media Display including AMG main menu and AMG start-up screen	–	●	●
AMG emblem embossed in front centre armrest	–	●	●
AMG sports pedals in brushed stainless steel with rubber studs	●	●	●
Centre armrest – front, with stowage	●	●	●
Cup holders (2) – front	●	●	●
Door sill panels – brushed stainless steel with 'AMG' lettering, illuminated	–	●	●
Door sill panels – brushed stainless steel with 'Mercedes-Benz' lettering, illuminated	●	–	–
Dual-bonded 12.3" widescreen cockpit consisting of an Instrument Display and Media Display	●	–	–
ENERGIZING Comfort – intelligent cross-linking of all comfort systems Drivers can choose from six different expert configured programs for activation and relaxation, depending on their personal needs	●	●	●
Floor mats – AMG floor mats with 'AMG' lettering	●	–	–
Floor mats – AMG Exclusive floor mats	–	●	●
Heated rear window with timer control	●	●	●
Interior mirror and driver's exterior mirror – automatically dimming	●	●	●
Luggage nets in luggage compartment	●	●	●
Map pockets on front seat backrests	●	●	●



Book a test drive
 > Coupé
 > Cabriolet
 > AMG



View offers
 > Coupé
 > Cabriolet



> Find a Retailer



> View the Range Guide

Standard equipment

Item	Grand Edition	Mercedes-AMG S 63	Mercedes-AMG S 63 Premium
Interior (continued)			
Parcel nets in boot and front passenger footwell	●	●	●
Power windows with one-touch control and obstruction sensor	●	●	●
Reading lights – front and rear	●	●	●
Rear armrest	●	●	●
Remote boot lid release and closing	●	●	●
Seats – AMG sports seats with AMG V8-specific seat layout, optimised lateral support and AMG badge in backrests	-	●	●
Seats – comfort-ventilated front seats Includes seat heating and cooling	●	●	●
Seats – rear seats heated	●	●	●
Seat Heating Plus for driver and front passenger seat	△	-	●
Stowage compartment in centre console	●	●	●
Stowage – full-length centre console in rear	●	●	●
Stowage – glasses stowage compartment	●	●	●
Stowage – lockable, air-conditioned and illuminated glove compartment	●	●	●
Sun visors with illuminated vanity mirrors	●	●	●
THERMOTRONIC – luxury automatic climate control, two zone Three climate modes: Focused, Medium and Diffuse	●	●	●
Trip computer – in multifunction display, showing current fuel consumption	●	●	●

Item

Paint, Trim and Upholstery

Item	Grand Edition	Mercedes-AMG S 63	Mercedes-AMG S 63 Premium
Paint – metallic	●	●	●
Roof lining – fabric	●	●	●
Soft top, power-operated – black fabric (Cabriolet only)	●	●	●
Trim – black poplar wood	●	●	●
Upholstery – nappa leather	●	●	●

Security and Safety

Driving Assistance package Please see page 32 for complete description	○	●	●
Parking package – Active Parking Assist with PARKTRONIC with 360° camera PARKTRONIC monitors front and rear while vehicle is being manoeuvred and warns the driver if risk of collision is detected. Active Parking Assist helps find appropriate parking slots and can also automatically manoeuvre the car in and out of perpendicular and parallel parking spaces	●	●	●
Active bonnet – pedestrian safety measure	●	●	●
Alarm system with immobiliser and interior protection (MBSS3)	●	●	●
ADAPTIVE BRAKE system Including HOLD function, Hill-Start Assist, brake priming and dry braking in wet conditions	●	●	●
ADAPTIVE BRAKE lights	●	●	●



Book a test drive
 > Coupé
 > Cabriolet
 > AMG



View offers
 > Coupé
 > Cabriolet



> Find a Retailer



> View the Range Guide

Standard equipment

Item	Grand Edition	Mercedes-AMG S 63	Mercedes-AMG S 63 Premium
Security and Safety (continued)			
Airbags – driver and front passenger	●	●	●
Airbags – front and rear sidebags	●	●	●
Airbags – windowbags	●	●	●
Anti-lock braking system (ABS) with Brake Assist (BAS)	●	●	●
ATTENTION ASSIST Monitors steering and can help alert to long journey fatigue. Continuously analyses driver behaviour and steering movements. If patterns are recognised which characterise drowsiness, the driver is prompted to take a break, and an audible warning is sounded. At the same time COMAND Online offers to locate a rest stop	●	●	●
Automatic child seat recognition sensor	●	●	●
Belt feeder	●	●	●
COLLISION PREVENTION ASSIST PLUS The driver is given a visual warning if the distance from a vehicle in front is inadequate. On detecting the danger of a collision there is an acoustic warning, driver braking can be assisted and, if the driver fails to react, the speed can be reduced autonomously. Autonomous partial braking only occurs if the driver fails to react and is travelling at a speed range between 4–65 mph speeds for moving objects and 4–31 mph for stationary objects	●	–	–
Crosswind Assist Detects sudden, strong gusts of wind and helps the driver stay in lane by means of targeted braking	●	●	●
Electric parking brake	●	●	●

Item	Grand Edition	Mercedes-AMG S 63	Mercedes-AMG S 63 Premium
Electronic Stability Programme (ESP®) with Acceleration Skid Control (ASR)	●	●	●
ESP® Curve Dynamic Assist Especially when accelerating on bends, ESP® can ensure improved handling by detecting understeer and effecting a remedy through braking intervention	●	●	●
Headlight Assist – automatic headlight activation	●	●	●
i-Size child seat attachment for the outer rear seats	●	●	●
Rear head restraints	●	●	●
Seat belts, rear – three point (2)	●	●	●
Service indicator ASSYST	●	●	●
TIREFIT tyre-sealant kit	●	●	●
Traffic Sign Assist Speed Limit Assist with wrong-way warning function and display of speed limit in instrument cluster	●	●	●
Tyre pressure monitoring system	●	●	●



Book a test drive
 > Coupé
 > Cabriolet
 > AMG



View offers
 > Coupé
 > Cabriolet



> Find a Retailer



> View the Range Guide

Standard equipment

Item	Grand Edition	Mercedes-AMG S 63	Mercedes-AMG S 63 Premium
Communications and In-Car Entertainment			
Burmester® high-end 3D surround sound system 25 speakers and 27-channel amplifier with total output of 1560 W Active subwoofer in boot VIP seat function	-	-	●
Burmester® surround sound system 13 speakers and 9-channel DSP amplifier with total output of 590 W	●	●	-
COMAND Online system with Media Interface Includes radio, Bluetooth® interface with high-definition call quality for hands-free telephony, 12.3-inch colour display, hard disk drive (HDD) navigation with 3D map display, Live Traffic Information and European map data updates free of charge for the first three years, Speed Limit Assist and LINGUATRONIC voice control. Integrated WLAN hotspot for onboard access of WLAN-enabled devices. Also includes SD memory card slot, 10 GB music register and MP3 compatibility. Media Interface allows connection and control of portable media devices (e.g. MP3 player, USB storage media)	●	●	●
DAB digital radio tuner	●	●	●
Head-up display A virtual image (approx. 21 × 7 cm) is projected into the driver's field of view, appearing to float above the bonnet approx. 2 m ahead	-	-	●
Mercedes me connect (standard services) Including emergency call system (eCall), accident recovery, breakdown and maintenance management; Mercedes-Benz apps and in-car internet access for Facebook, internet radio, sending routes from Google Maps™ to the vehicle, news and weather reports; internet-enabled mobile phone required	●	●	●

Item	Grand Edition	Mercedes-AMG S 63	Mercedes-AMG S 63 Premium
Near Field Communication Enables a convenient, wireless connection of the mobile phone with the vehicle's telematics simply by holding the mobile phone near the NFC logo on the head unit	●	●	●
Smartphone integration via Android Auto or Apple CarPlay™ Please check on www.android.com/intl/en_uk/auto/ and www.apple.com/uk/ios/carplay/ for compatibility and approved apps. Certain features and apps require a 3G or 4G data connection. Control of features available through voice control and controller on centre console	●	●	●
Touchpad	●	●	●
Wireless charging system (front) for mobile devices Charges mobile phones which support the Qi standard wirelessly on a charging surface, Near Field Communication (NFC) for quickly connecting to mobile phone	●	●	●



Book a test drive

- > Coupé
- > Cabriolet
- > AMG



View offers

- > Coupé
- > Cabriolet



Find a Retailer



View the Range Guide

Wheels



RRN 20" AMG alloy wheels (4) – 10-spoke design
front: 245/40 tyres; rear: 275/35 tyres

Grand Edition	●
Mercedes-AMG S 63	-
Mercedes-AMG S 63 Premium	-



753 20" AMG alloy wheels (4) – 5-twin-spoke design
front: 255/40 tyres; rear: 285/35 tyres

Grand Edition	-
Mercedes-AMG S 63	●
Mercedes-AMG S 63 Premium	-



Book a test drive

- > Coupé
- > Cabriolet
- > AMG



View offers

- > Coupé
- > Cabriolet



Find a Retailer



View the Range Guide



RTR 20" AMG alloy wheels (4) – cross-spoke forged wheels
front: 255/40 tyres; rear: 285/35 tyres

Grand Edition	-
Mercedes-AMG S 63	-
Mercedes-AMG S 63 Premium	●



RTS 20" AMG alloy wheels (4) – cross-spoke forged wheels, matt black
front: 255/40 tyres; rear: 285/35 tyres

Grand Edition	-
Mercedes-AMG S 63	Only in conjunction with Night package
Mercedes-AMG S 63 Premium	Only in conjunction with Night package



Book a test drive

- > Coupé
- > Cabriolet
- > AMG



View offers

- > Coupé
- > Cabriolet



Find a Retailer



View the Range Guide

AMG Night package



Options shown: Mercedes-AMG S 63 Premium with cavansite blue paint (code 890)

More dramatic, more striking, more AMG: the AMG Night package includes the AMG front apron featuring an A-wing in high-gloss black. It also comes with the AMG sports exhaust system with two black chrome-finished twin tailpipe trim elements. The exterior mirror housings, AMG side sill panels and AMG rear apron are all finished in stylish high-gloss black. The AMG Night package is completed with 20" AMG cross-spoke forged alloy wheels painted matt black.

AMG Night package (code P60) – designed and priced as a package, including items as listed below.

Mercedes-AMG S 63	Total incl. VAT £2,495.00
Mercedes-AMG S 63 Premium	£1,495.00

20" AMG alloy wheels (4) – cross-spoke forged wheels, painted matt black (code RTS)

Air intake grilles in the front apron in high-gloss black

A-wing of AMG front apron in high-gloss black

AMG sports exhaust system with two black chrome-finished twin tailpipe trim elements

Exterior mirror housings, AMG side sill panels and AMG rear apron in high-gloss black



Book a test drive

- > Coupé
- > Cabriolet
- > AMG



View offers

- > Coupé
- > Cabriolet



> Find a Retailer



> View the Range Guide

Exclusive Nappa Leather package

The Exclusive nappa leather from *designo manufaktur* refines the entire interior, from the roof liner in DINAMICA microfibre through to the seats with diamond quilting and perforations, fully leather-finished doors, and dashboard in the finest designo Exclusive nappa leather.

Exclusive Nappa Leather package (code P34) – designed and priced as a package, including items listed.

S 560 Grand Edition

Total incl. VAT £4,995.00

Please refer to pages 40–39 for individual swatches. All contrast stitching except that on the upper dashboard and beltlines is omitted if porcelain/espresso brown (code 565A) is ordered

Door centre panels, armrests map pockets and upper dashboard in nappa leather with contrast stitching
Colour-contrasting fluting on beltline
designo badges in the front and rear seat backrests
designo floor mats with designo badging
DINAMICA microfibre roof lining and sun visors
Electric roller sun blind for rear window (Coupé only)
Parcel shelf in ARTICO man-made leather
Seats in designo nappa leather featuring diamond design with contrast stitching, fluting and patterned perforations



Grand Edition: Exclusive nappa leather in porcelain/espresso brown (code 965A)



Book a test drive

- > Coupé
- > Cabriolet
- > AMG



View offers

- > Coupé
- > Cabriolet



Find a Retailer



View the Range Guide

AMG Exclusive Nappa Leather package

AMG Exclusive Nappa Leather package (code P34) – designed and priced as a package, including items listed.

Mercedes-AMG S 63/Premium

Total incl. VAT £3,495.00

Please refer to pages 40–39 for individual swatches. All contrast stitching except that on the upper dashboard and beltlines is omitted if porcelain/espresso brown (code 565A) is ordered

- AMG badges in front and rear seat backrests
- AMG stainless steel door sill panels, illuminated in white
- Door centre panels, armrests map pockets and upper dashboard in nappa leather with contrast stitching

- Colour-contrasting fluting on beltline
- designo floor mats with designo badging
- DINAMICA microfibre roof lining and sun visors
- Electric roller sun blind for rear window (Coupé only)
- Parcel shelf in ARTICO man-made leather
- Seats in designo nappa leather featuring diamond design with contrast stitching, fluting and patterned perforations



Mercedes-AMG S 63: Exclusive nappa leather in bengal red/black (code 567A)



Book a test drive

- > Coupé
- > Cabriolet
- > AMG



View offers

- > Coupé
- > Cabriolet



> Find a Retailer



> View the Range Guide

Driving Assistance package

More comfort and less stress for the driver, and therefore more safety for all road users, for example by virtue of semi-automated driving, autonomous braking in certain dangerous situations and active assistance during evasive and braking manoeuvres initiated by the driver.

Driving Assistance package (code 23P) – designed and priced as a package, including items listed below.

Grand Edition

Total incl. VAT £1,695.00

Standard on Mercedes-AMG S 63/Premium

360° camera

Active Distance Assist DISTRONIC controls the distance to vehicles in front up to a speed of 131mph and if necessary brakes the vehicle with up to 50% of the maximum braking power

Active Steering Assist helps the driver keep the vehicle in the centre of its lane on straight stretches of road or slight bends. Reduces the risk of accidents and improves protection for both the occupants and other road users

Active Speed Limit Assist adopts speed limits detected automatically as the new set speed for Active Distance Assist DISTRONIC

Active Braking Assist with Cross-Traffic Function and Congestion emergency braking function can help to avoid or lessen the consequences of accidents with vehicles in front as well as crossing vehicles and pedestrians

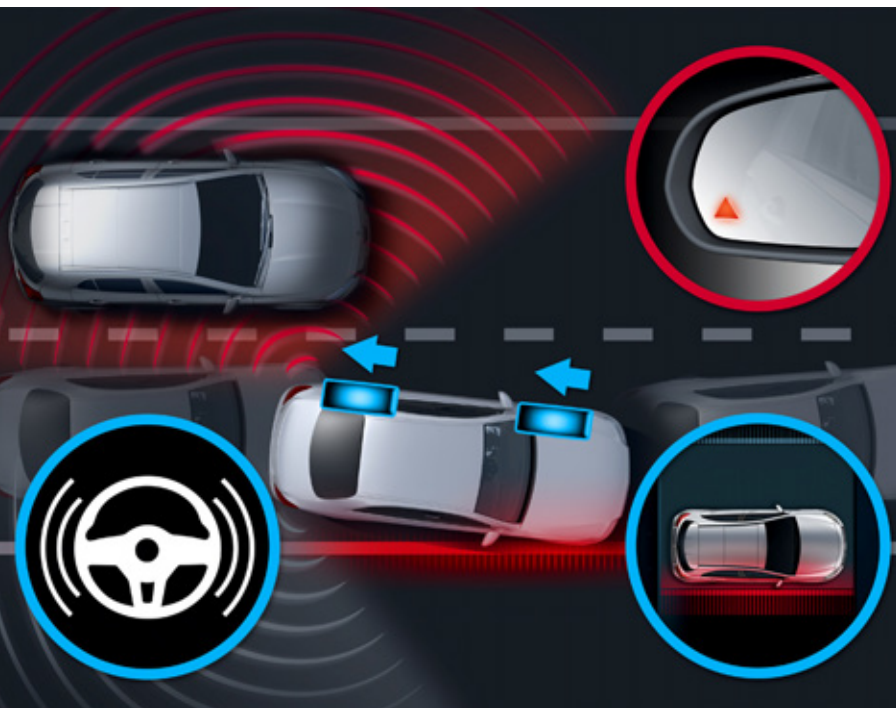
Evasive Steering Assist is able to support the driver with making an evasive manoeuvre when, in a situation of danger, he/she decides to avoid a pedestrian who has been detected by the system

Active Blind Spot Assist can warn the driver of vehicles in the blind spot during a lane change and can help to avoid a collision by means of one-sided brake application

Active Lane Keeping Assist can warn the driver when they unintentionally leave their lane and can use one-sided brake applications to help manoeuvre the vehicle back into its lane (including in the case of broken lane markings if there is a risk of collision)

PRE-SAFE® PLUS is able to initiate preventive measures to protect occupants against an impending rear impact, including warning traffic following behind, activating the seat belt tensioners or applying the brakes when the vehicle is stationary

Route-based speed adjustment adjusts speed before curves, roundabouts, junctions, toll roads. Allows for smoother and more accurate functionality of several driving assistant systems



Active Lane Keeping Assist (blue) and Active Blind Spot Assist (red)



Book a test drive
 > Coupé
 > Cabriolet
 > AMG



View offers
 > Coupé
 > Cabriolet



> Find a Retailer



> View the Range Guide

ServiceCare

Item	Notes		Grand Edition	Mercedes-AMG S63	Mercedes-AMG S63 Premium	Basic RRP excl. VAT (£)	Total RRP incl. VAT (£)
Service Package							
ServiceCare	Price is based on a monthly rate. Example given is for two services taken over 24 months; three services over 36 months; or four services over 48 months. Further payment options are available. New ServiceCare prices apply only to vehicles up to 12 months old prior to first service		○	-	-	30.00	36.00
ServiceCare allows you to spread the cost of servicing your new car in the Mercedes-Benz Retailer network. Taking out a ServiceCare plan ensures your servicing needs are taken care of by fully trained Mercedes-Benz Technicians with the added benefit of a Mercedes-Benz service history			-	○	○		32.50



Book a
test drive

- ▶ Coupé
- ▶ Cabriolet
- ▶ AMG



View offers

- ▶ Coupé
- ▶ Cabriolet



Find a Retailer



View the Range Guide

Colours, trim and upholstery





Book a test drive

- > Coupé
- > Cabriolet
- > AMG



View offers

- > Coupé
- > Cabriolet



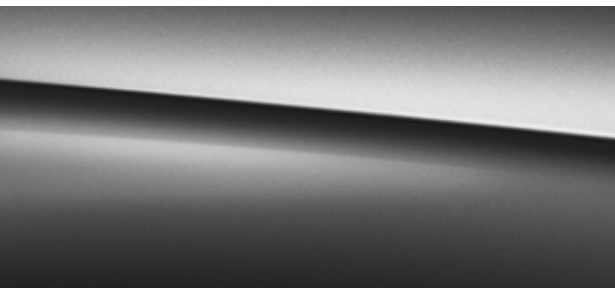
Find a Retailer



View the Range Guide

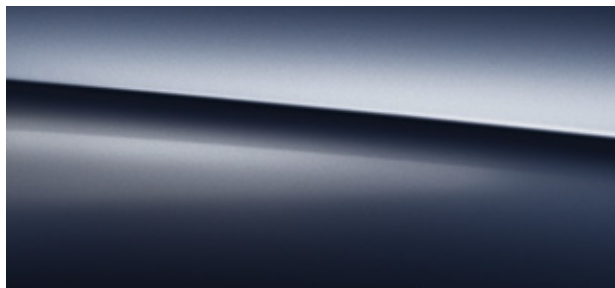
Metallic paints

Special metallic paint¹ (additional-cost option)



183 magnetite black

no-cost option



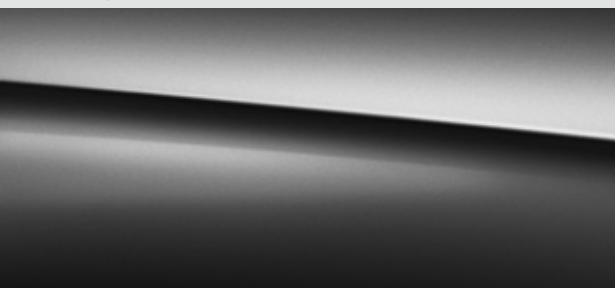
890 cavansite blue

no-cost option



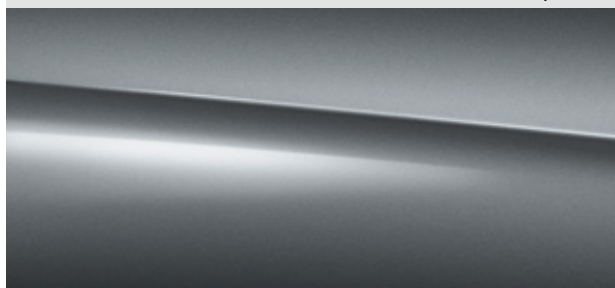
799 designo diamond white

Total incl. VAT £795.00



197 obsidian black

no-cost option



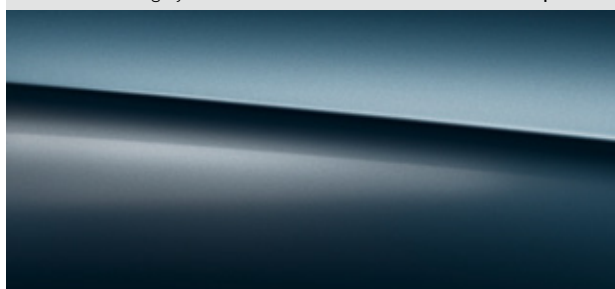
992 selenite grey

no-cost option



775 iridium silver

standard



998 anthracite blue

no-cost option

An extra degree of exclusivity is guaranteed with a designo paint finish, available at additional cost.

¹designo magno matt paint finishes require extra care. Please refer to the Owner's Manual for instructions

Please note that, owing to limitations of on-screen representation, paint colours may differ from those shown



Book a
test drive

- > Coupé
- > Cabriolet
- > AMG



View offers

- > Coupé
- > Cabriolet



> Find a Retailer



> View the Range Guide

Trim



729 black poplar wood

Grand Edition	●
Mercedes-AMG S 63	●
Mercedes-AMG S 63 Premium	●
Total RRP incl. VAT (£)	-
excl. VAT (£)	-



H29 brown burr walnut wood

Grand Edition	-
Mercedes-AMG S 63	○
Mercedes-AMG S 63 Premium	○
Total RRP incl. VAT (£)	-
excl. VAT (£)	no-cost option



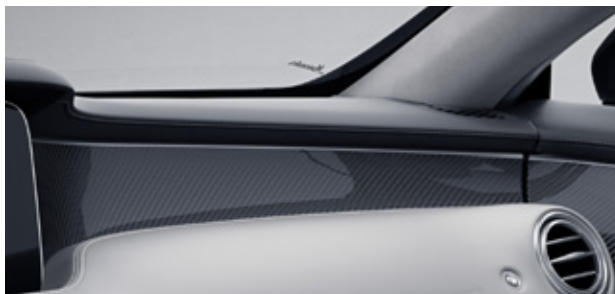
H30 silk matt grey ash wood

Grand Edition	-
Mercedes-AMG S 63	○
Mercedes-AMG S 63 Premium	○
Total RRP incl. VAT (£)	£695.00
excl. VAT (£)	£579.16



H21 designo black piano lacquer

Grand Edition	-
Mercedes-AMG S 63	○
Mercedes-AMG S 63 Premium	○
Total RRP incl. VAT (£)	£1,595.00
excl. VAT (£)	£1,329.16



H10 AMG carbon fibre/black piano lacquer

Grand Edition	-
Mercedes-AMG S 63	○
Mercedes-AMG S 63 Premium	○
Total RRP incl. VAT (£)	£3,995.00
excl. VAT (£)	£3,329.16



Book a test drive
 > Coupé
 > Cabriolet
 > AMG



View offers
 > Coupé
 > Cabriolet



> Find a Retailer



> View the Range Guide

Nappa leather¹



801A black

Grand Edition	●
Mercedes-AMG S 63	-
Mercedes-AMG S 63 Premium	-



805A porcelain/espresso brown

Grand Edition	●
Mercedes-AMG S 63	-
Mercedes-AMG S 63 Premium	-



Book a test drive

- > Coupé
- > Cabriolet
- > AMG



View offers

- > Coupé
- > Cabriolet



Find a Retailer



View the Range Guide

Nappa leather¹ (continued)



851A black

Grand Edition	-
Mercedes-AMG S 63	●
Mercedes-AMG S 63 Premium	●



855A porcelain/espresso brown

Grand Edition	-
Mercedes-AMG S 63	●
Mercedes-AMG S 63 Premium	●



Book a test drive

- > Coupé
- > Cabriolet
- > AMG



View offers

- > Coupé
- > Cabriolet



Find a Retailer



View the Range Guide

designo Exclusive nappa leather¹ (optional on Grand Edition)

Total incl. VAT £4,995.00



965A porcelain/espresso brown



978A crystal grey/black



985A porcelain/titan red



977A bengal red/black



975A porcelain/deep sea blue

¹100% of seat upholstery is pure leather



Book a test drive
 > Coupé
 > Cabriolet
 > AMG



View offers
 > Coupé
 > Cabriolet



> Find a Retailer



> View the Range Guide

designo Exclusive nappa leather¹ (optional on Mercedes-AMG S 63/Premium)²

Total incl. VAT £3,495.00



561A black



567A bengal red/black



584A saddle brown/black



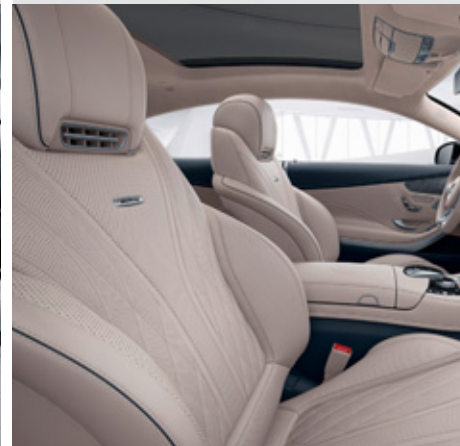
595A porcelain/titanium red



565A porcelain/espresso brown



568A crystal grey/black



585A porcelain/deep sea blue

¹100% of seat upholstery is pure leather ²Included with Exclusive nappa leather package (code P34)



Book a test drive

- > Coupé
- > Cabriolet
- > AMG



View offers

- > Coupé
- > Cabriolet



Find a Retailer



View the Range Guide

Soft-top colours (Cabriolet only)



740 black



744 dark blue



745 beige



746 dark red



Book a test drive
 > Coupé
 > Cabriolet
 > AMG



View offers
 > Coupé
 > Cabriolet



> Find a Retailer



> View the Range Guide

Trim and upholstery combinations

	Nappa leather ¹ / designo Exclusive nappa leather ¹		designo Exclusive nappa leather ¹				
	black [801A]/ 561A [961A]	porcelain/espresso brown [805A]/ 565A [965A]	bengal red/black 567A [977A]	crystal grey/black 568A [978A]	saddle brown/black 584A [974A]	porcelain/deep sea blue 585A [975A]	porcelain/titian red 595A [985A]
Dashboard							
Steering wheel	black	porcelain	black	black	black	porcelain	porcelain
Upper dashboard trim	black	espresso brown	black	black	black	deep sea blue	titian red
Centre dashboard trim	black	porcelain	bengal red	crystal grey	saddle brown	porcelain	porcelain
Lower dashboard trim	black	porcelain	bengal red	crystal grey	saddle brown	porcelain	porcelain
Seats							
Seat cushion centre section	black	porcelain	bengal red	crystal grey	saddle brown	porcelain	porcelain
Side bolster trim/head restraint	black	porcelain	bengal red	crystal grey	saddle brown	porcelain	porcelain
Contrast stitching	black	porcelain/espresso brown	bengal red/black	crystal grey/black	saddle brown/black	porcelain/deep sea blue	porcelain/titian red
Seat belt	black	porcelain	bengal red	crystal grey	black	porcelain	porcelain
Doors							
Door trim at beltline	black	espresso brown	black	black	black	deep sea blue	titian red
Door centre panel	black	porcelain	bengal red	crystal grey	saddle brown	porcelain	porcelain
Lower door trim	black	porcelain	black	black	black	deep sea blue	porcelain
Roof lining	black	porcelain	bengal red	crystal grey	black	porcelain	porcelain
Parcel shelf	black	espresso brown	black	black	black	deep sea blue	titian red
Floor covering							
Front and rear/Boot	black/black	porcelain/black	black/black	black/black	black/black	deep sea blue/black	porcelain/black

¹100% of seat upholstery is pure leather Codes in square brackets refer to S 560 AMG Line order codes



Book a test drive

- > Coupé
- > Cabriolet
- > AMG



View offers

- > Coupé
- > Cabriolet



Find a Retailer



View the Range Guide

Genuine Accessories

We've developed a range of Accessories you can add to help personalise and enhance your S-Class. Your local Mercedes-Benz Retailer can advise on fitting costs of Accessories, where applicable. Further information on our full range of Genuine Accessories can be found **here** on the Mercedes-Benz UK website.

01 | Concertina load sill protector (A2536931900)

Protects the rear of the car from scratches when you're loading the vehicle - and prevents dirt from the car from getting onto your clothes. Practical design - can be connected to shallow boot tub.

RRP £40.50 (incl. VAT)

02 | Shallow boot tub (A2178140041)

The easy-care boot tub is suitable for transporting shopping. The shape of the tub, with its slightly raised edge, is optimally tailored to the load area. Very robust - made from impact-resistant, non-slip polypropylene. Coupé only.

RRP £113.66 (incl. VAT)





Book a test drive

- > Coupé
- > Cabriolet
- > AMG



View offers

- > Coupé
- > Cabriolet



> Find a Retailer



> View the Range Guide

03 | Cool box (A0008204206)

Whether you're taking cold drinks, a picnic or baby food with you, the multifunctional coolbox cools or warms according to your needs, making it the perfect accessory for any outing. Thanks to the extra-effective insulation, it cools to as low as -2°C . It is ideal for use in any Mercedes-Benz and has a capacity of 24 litres. The portable coolbox is a rigid box with a fabric cover, featuring zipped and open pockets. The rigid plastic liner inside is easy to clean. The carrying strap can be used to secure the coolbox in place in the vehicle.

RRP £170.50 (incl. VAT)

04 | AMG hub cap, with AMG emblem, set of four (A0004003100)

Exclusive design in aluminium, embossed with the traditional AMG emblem – a highlight for your AMG alloy wheels.

RRP £152.71 (incl. VAT)

05 | Flacon perfume atomiser (part numbers will vary)

For vehicles with the AIR-BALANCE package. Flacons for perfume atomiser, 15 ml. Available in a variety of fragrances.

RRP from £56.00 (incl. VAT)

03



04



05





Book a test drive
 > Coupé
 > Cabriolet
 > AMG



View offers
 > Coupé
 > Cabriolet



> Find a Retailer



> View the Range Guide

Technical data - Coupé

Model	Petrol engines	
	S 560	Mercedes-AMG S 63/ Premium
Engine		
Total displacement	cc 3,982	3,982
Arrangement/cylinders/valves	V/8/32	V/8/32
Power ¹	hp (kW) at rpm 469 (345)/5,250-5,500	612 (450)/5,500-6,000
Torque ¹	Nm at rpm 700/2,000-4,000	900/2,750-4,500
Compression ratio	10.5:1	8.6:1
Transmission		
9G-TRONIC PLUS 9-speed automatic	●	-
AMG SPEEDSHIFT MCT 9-speed sports automatic	-	●

Model	Petrol engines	
	S 560	Mercedes-AMG S 63/ Premium
Performance		
Acceleration 0-62 mph	sec 4.6	4.2
Top speed	mph 155 ²	155 ²
Weights and capacities		
Kerb weight ³	kg 2,075	2,065
Perm. Gross Vehicle Weight	kg 2,630	2,535
Boot capacity	l 400	400
Fuel tank capacity/of which reserve	l 80/8	80/12
Turning circle	m 11.6	11.6

● Standard ○ Optional - Not available ¹Figures according to Directive 80/1269/EEC in the currently applicable version ²Electronically limited

³Mass of the vehicle in running order with at least 90% full fuel tank, plus the mass of the driver (estimated by law at 75 kg), fuel and fluids, equipped with the standard equipment as specified by the manufacturer as well as, where applicable, the mass of the body, cab, trailer coupling and spare wheel(s) as well as tools. Optional extras, additional equipment and accessories can influence the weight, residual payload, rolling resistance, aerodynamics, etc., and therefore also affect the consumption/CO₂ values



Book a
test drive

- > Coupé
- > Cabriolet
- > AMG



View offers

- > Coupé
- > Cabriolet



> Find a Retailer



> View the Range Guide

Model	Petrol engines	
	S 560	Mercedes-AMG S 63/ Premium

Fuel consumption^{4,5,6}

Combined (consumption dependent on chosen optional equipment)	I/100 km mpg	10.6–10.2 26.7–27.7	11.8–11.6 23.9–24.4
---	-----------------	------------------------	------------------------

CO₂ emissions^{5,6,*} g/km

Emissions standard	Euro 6d-TEMP-EVAP-ISC	Euro 6d-TEMP-EVAP-ISC
20" alloy wheels – code RRN	230	-
20" alloy wheels – code 753	-	231
20" alloy wheels – code RTR	-	231
20" alloy wheels – code RTS	-	231

Model	Petrol engines	
	S 560	Mercedes-AMG S 63/ Premium

Insurance

Group rating	50	50
--------------	----	----

Insurance ratings may vary depending on model line and specification.
Please refer to <http://www.thatcham.org/abigrouprating/> for further details

⁴All figures are based on a standard specification with the smallest tyre size ⁵The choice of wheels may affect CO₂ emissions and corresponding Road Fund Licence

⁶The indicated values were determined according to the prescribed measurement method – Worldwide Harmonised Light Vehicle Test Procedure (WLTP). Figures shown may include options which are not available in the UK

*CO₂ figures have been converted into NEDC-equivalent values for use with the current VED and BIK tax legislation

Figures shown are for comparability purposes; only compare with other cars tested to the same technical procedures. Figures may not reflect real life driving results, which will depend upon a number of factors including factory-fitted options, accessories fitted (post registration), variations in weather, driving styles and vehicle load. Further information about the test used to establish fuel consumption and CO₂ figures can be found at <http://www.mercedes-benz.co.uk/WLTP>



Book a test drive
 > Coupé
 > Cabriolet
 > AMG



View offers
 > Coupé
 > Cabriolet

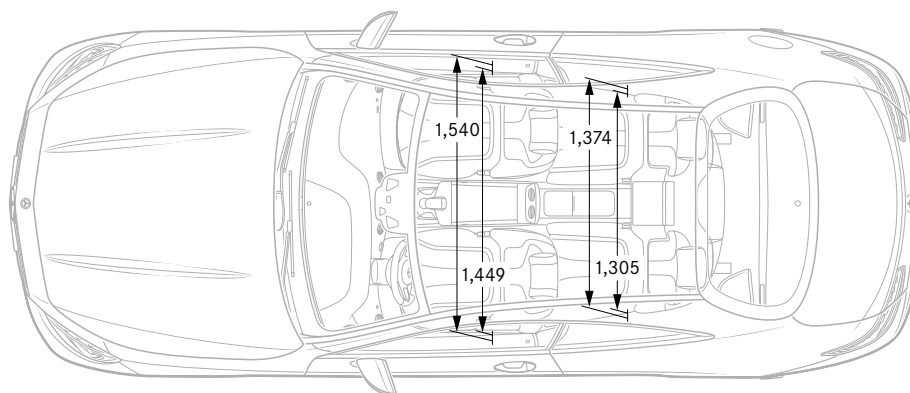
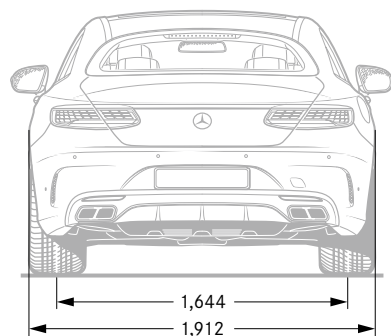
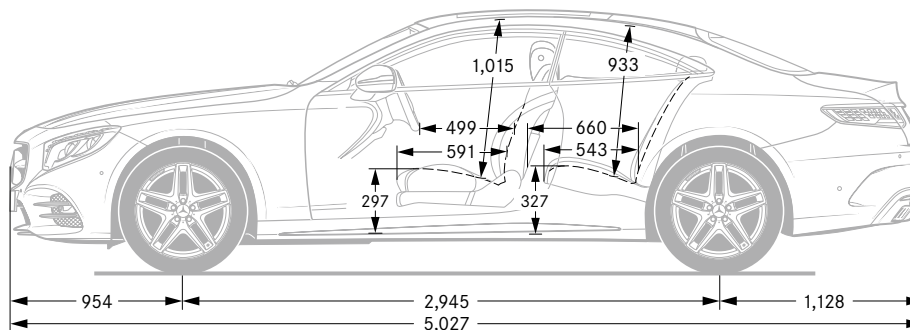
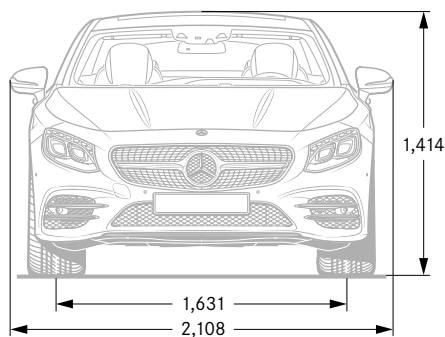


> Find a Retailer



> View the Range Guide

S 560



All measurements in millimetres. The dimensions shown are mean values and apply to standard-specification, unladen vehicles.



Book a test drive

- > Coupé
- > Cabriolet
- > AMG



View offers

- > Coupé
- > Cabriolet

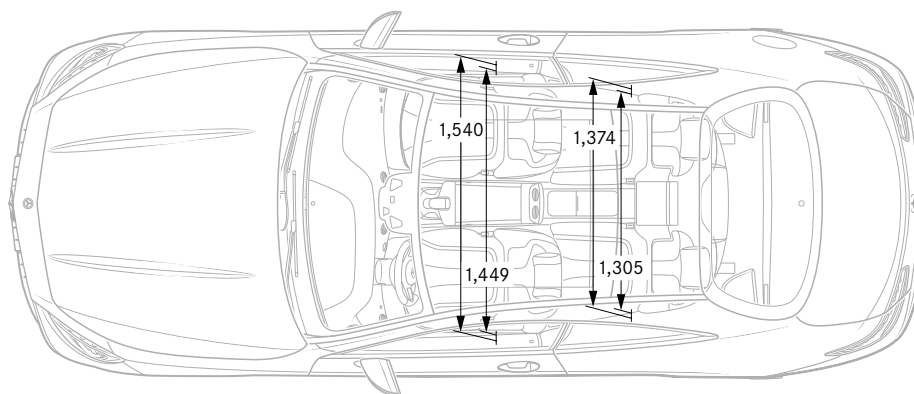
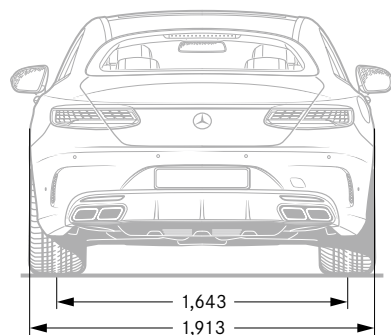
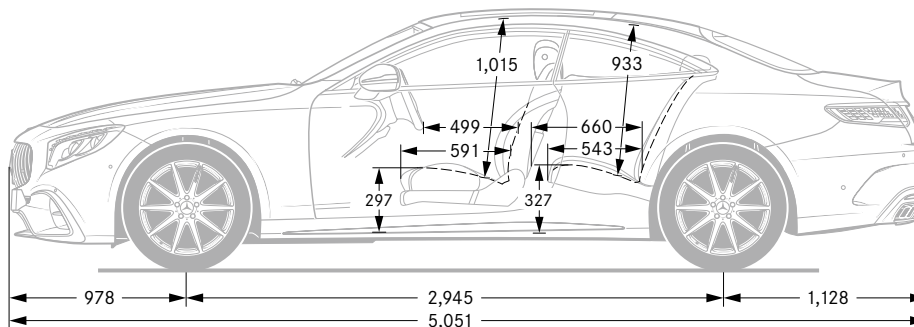
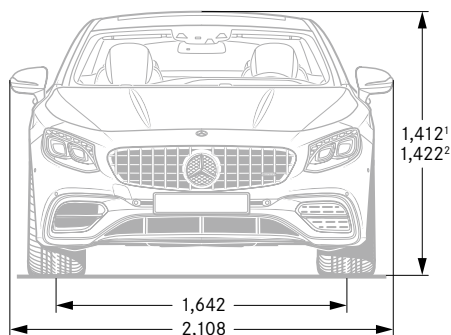


Find a Retailer



View the Range Guide

Mercedes-AMG S 63



¹Suspension mode 'Sport' ²Suspension mode 'Comfort' All measurements in millimetres. The dimensions shown are mean values and apply to standard-specification, unladen vehicles. The figures on pages 45-48 are correct at time of publication. Please refer to the government website for latest data - <http://carfueldata.direct.gov.uk/>



Technical data – Cabriolet

Model	Petrol engines	
	S 560	Mercedes-AMG S 63/ Premium
Engine		
Total displacement	cc 3,982	3,982
Arrangement/cylinders/valves	V/8/32	V/8/32
Power ¹	hp (kW) at rpm 469 (345)/5,250–5,500	612 (450)/5,500–6,000
Torque ¹	Nm at rpm 700/2,000–4,000	900/2,750–4,500
Compression ratio	10.5:1	8.6:1
Transmission		
9G-TRONIC 9-speed automatic	●	–
AMG SPEEDSHIFT MCT 9-speed sports automatic	–	●

Model	Petrol engines	
	S 560	Mercedes-AMG S 63/ Premium
Performance		
Acceleration 0–62 mph	sec 4.6	4.2
Top speed	mph 155 ²	155 ²
Weights and capacities		
Kerb weight ³	kg 2,155	2,170
Perm. Gross Vehicle Weight	kg 2,625	2,585
Boot capacity	l 350	350
Fuel tank capacity/of which reserve	l 80/8	80/12
Turning circle	m 11.6	11.9

● Standard ○ Optional – Not available ¹Figures according to Directive 80/1269/EEC in the currently applicable version ²Electronically limited

³Mass of the vehicle in running order with at least 90% full fuel tank, plus the mass of the driver (estimated by law at 75 kg), fuel and fluids, equipped with the standard equipment as specified by the manufacturer as well as, where applicable, the mass of the body, cab, trailer coupling and spare wheel(s) as well as tools. Optional extras, additional equipment and accessories can influence the weight, residual payload, rolling resistance, aerodynamics, etc., and therefore also affect the consumption/CO₂ values



Book a
test drive

- > Coupé
- > Cabriolet
- > AMG



View offers

- > Coupé
- > Cabriolet



> Find a Retailer



> View the Range Guide

Model	Petrol engines	
	S 560	Mercedes-AMG S 63/ Premium

Fuel consumption^{4,5,6}

Combined (consumption dependent on chosen optional equipment)	I/100 km mpg	10.7–10.3 26.4–27.4	12.0–11.8 23.5–23.9
---	-----------------	------------------------	------------------------

CO₂ emissions^{5,6,*} g/km

Emissions standard	Euro 6d-TEMP-EVAP-ISC	Euro 6d-TEMP-EVAP-ISC
20" alloy wheels – code RRN	235	-
20" alloy wheels – code 753	-	250
20" alloy wheels – code RTR	-	250
20" alloy wheels – code RTS	-	250

Model	Petrol engines	
	S 560	Mercedes-AMG S 63/ Premium

Insurance

Group rating	50	50
--------------	----	----

Insurance ratings may vary depending on model line and specification.
Please refer to <http://www.thatcham.org/abigrouprating/> for further details

⁵The choice of wheels may affect CO₂ emissions and corresponding Road Fund Licence

⁶The indicated values were determined according to the prescribed measurement method – Worldwide Harmonised Light Vehicle Test Procedure (WLTP). Figures shown may include options which are not available in the UK

*CO₂ figures have been converted into NEDC-equivalent values for use with the current VED and BIK tax legislation

Figures shown are for comparability purposes; only compare with other cars tested to the same technical procedures. Figures may not reflect real life driving results, which will depend upon a number of factors including factory-fitted options, accessories fitted (post registration), variations in weather, driving styles and vehicle load. Further information about the test used to establish fuel consumption and CO₂ figures can be found at <http://www.mercedes-benz.co.uk/WLTP>



Book a test drive
 > Coupé
 > Cabriolet
 > AMG



View offers
 > Coupé
 > Cabriolet

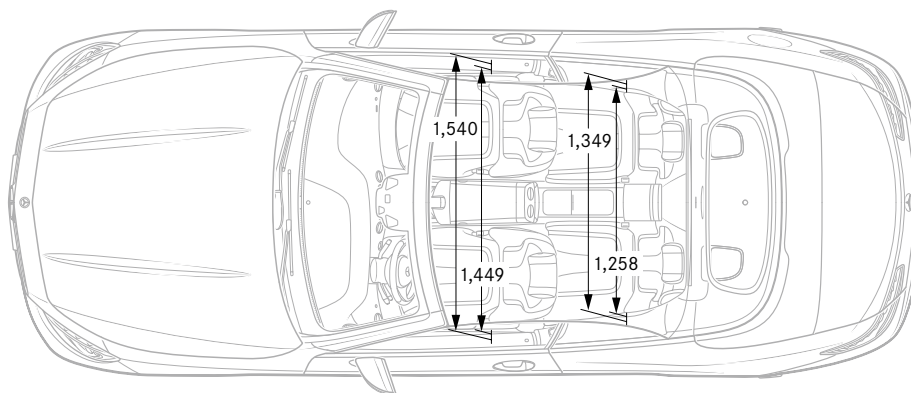
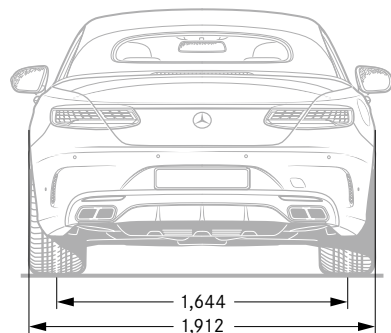
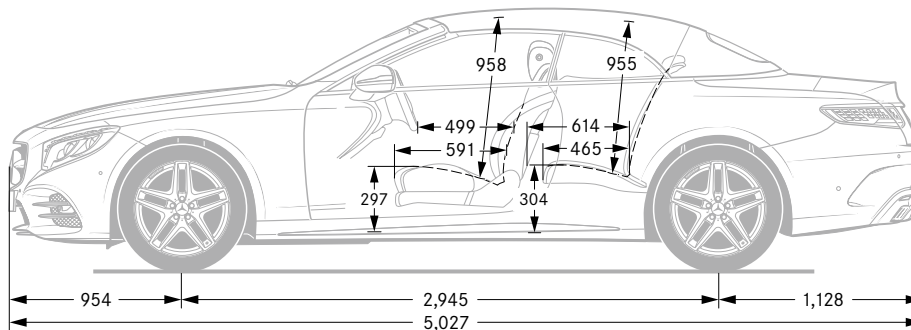
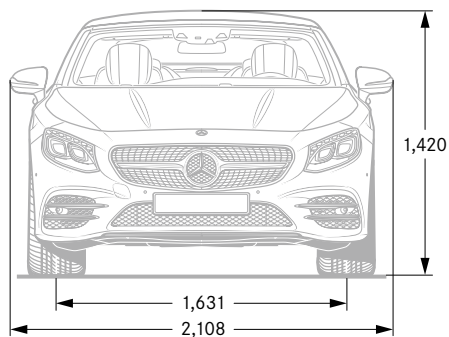


> Find a Retailer



> View the Range Guide

S 560





Book a
test drive

- > Coupé
- > Cabriolet
- > AMG



View offers

- > Coupé
- > Cabriolet

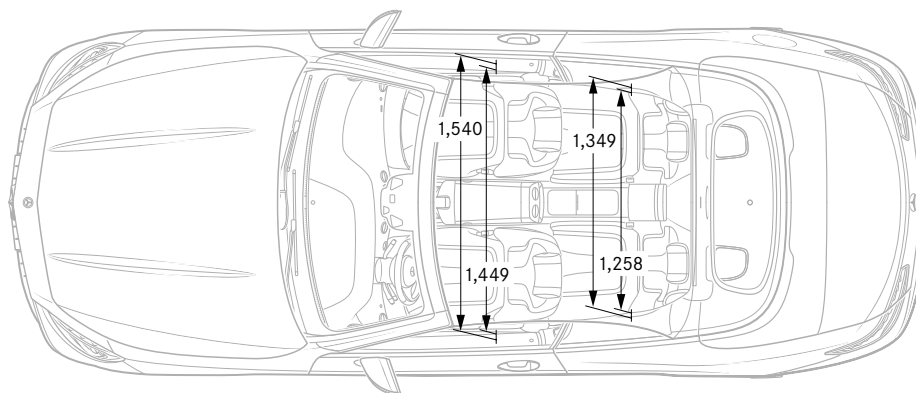
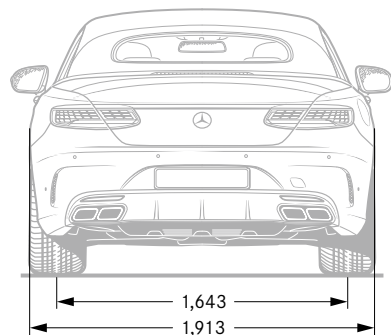
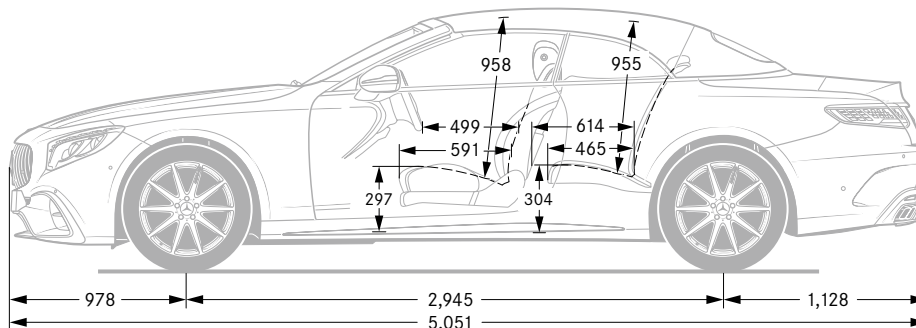
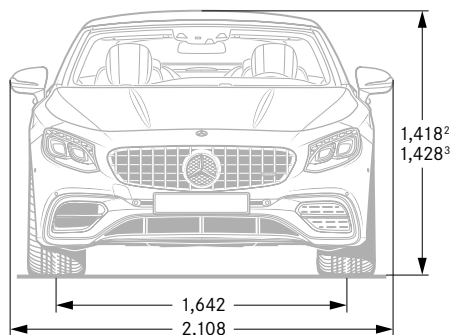


Find a Retailer



View the Range Guide

Mercedes-AMG S 63



¹Suspension mode 'Sport' ²Suspension mode 'Comfort' All measurements in millimetres. The dimensions shown are mean values and apply to standard-specification, unladen vehicles. The figures on pages 49–52 are correct at time of publication. Please refer to the government website for latest data – <http://carfueldata.direct.gov.uk/>



Book a test drive
 > Coupé
 > Cabriolet
 > AMG



View offers
 > Coupé
 > Cabriolet



> Find a Retailer



> View the Range Guide

Road Fund Licence



All road vehicle registrations are subject to Vehicle Excise Duty (Road Fund Licence), which varies in accordance with the vehicle's CO₂ emissions. A first year rate for each taxation band will apply. The table below shows the bands (A–M) created by the DVLA and the corresponding Road Fund Licence. CO₂ emissions are listed in the technical data on pages 46 and 50, and the relevant Excise Duty is reflected in the on-the-road prices on pages 9, 12 and 15.

Band	CO ₂ emissions (g/km)	First year rate petrol and RDE2 diesel (£)	First year rate all other diesel (£) ¹	First year rate alternative fuel (£)	Standard rate (£)	Premium rate (£) ²
A	0	0.00	0.00	0.00	0.00	320.00
B	1 to 50	10.00	25.00	0.00	145.00	465.00
C	51 to 75	25.00	110.00	15.00	145.00	465.00
D	76 to 90	110.00	130.00	100.00	145.00	465.00
E	91 to 100	130.00	150.00	120.00	145.00	465.00
F	101 to 110	150.00	170.00	140.00	145.00	465.00
G	111 to 130	170.00	210.00	160.00	145.00	465.00
H	131 to 150	210.00	530.00	200.00	145.00	465.00
I	151 to 170	530.00	855.00	520.00	145.00	465.00
J	171 to 190	855.00	1,280.00	845.00	145.00	465.00
K	191 to 225	1,280.00	1,815.00	1,270.00	145.00	465.00
L	226 to 255	1,815.00	2,135.00	1,805.00	145.00	465.00
M	over 255	2,135.00	2,135.00	2,125.00	145.00	465.00

¹Applies to all Mercedes-Benz diesel models which do not comply with Real Driving Emissions step 2 (RDE2)

²Premium rate only applicable to vehicles where the list price is over £40,000 including any factory-fitted options, standard UK delivery charge, number plates, fuel and VAT



Book a
test drive

- > Coupé
- > Cabriolet
- > AMG



View offers

- > Coupé
- > Cabriolet



> Find a Retailer



> View the Range Guide

Services and insurance

Mercedes-Benz ServiceCare

We believe that servicing costs should be as flexible and affordable as possible for your S-Class, which is why we offer ServiceCare, an easy way to budget for all your servicing costs. It spreads your bills into manageable payments based on whether you have a new or used Mercedes-Benz.

With ServiceCare we guarantee the price of parts and labour for up to four services and safeguard against any further inflation. It also covers the cost of all recommended service items including brake fluid, spark plugs, air filters, fuel filters and screen wash.

You can choose either to add your servicing costs into your monthly spend or pay the full amount in a one-off payment, giving you peace of mind that they are taken care of for the period of the plan.

To receive a personalised ServiceCare plan recommendation visit the ServiceCare Calculator at servicecarerates.mercedes-benz.co.uk

Warranty and breakdown cover

Every Mercedes-Benz comes with a three-year unlimited mileage warranty against manufacturing or material defects¹ and up to 30 years warranty against perforation due to corrosion from the inside out.² What's more, it's also covered by Mercedes-Benz Roadside Assistance – a unique package comprising up to 30 years pan-European breakdown assistance.²

Motor Insurance

Superb cover comes as standard. When reviewed by an independent research company, Defaqto, Mercedes-Benz Motor Insurance received a five-star rating, the highest rating available. We design our Motor Insurance specifically for Mercedes-Benz drivers.

For more information or to obtain a quote, click **here**.



Book a test drive

- > Coupé
- > Cabriolet
- > AMG



View offers

- > Coupé
- > Cabriolet



> Find a Retailer



> View the Range Guide

Mercedes me connect.

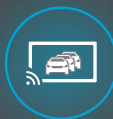
Stay connected, any time, anywhere.

Mercedes me is a range of innovative online services designed to enhance your Mercedes-Benz experience. Accessible via mobile, tablet or PC, Mercedes me lets you enjoy the highest standards of care and support, in a way that integrates seamlessly with your busy lifestyle.



Navigation Services (01U)

Visit the Mercedes me connect store or app for pricing.



Live Traffic Information¹

Your navigation system receives traffic data in real time, enabling it to optimise the dynamic route guidance, minimising drive time and offering more precise estimation of arrival times.



Available parking spaces

Locates parking spaces for you in multi-storey car parks and on the street. Saving you time and hassle.



connect Store

In the Mercedes me connect Store you can purchase many digital services designed to make your everyday life easier and provide useful information relating to your networked vehicle.



TIDAL

Love music? Get a 12-month TIDAL HiFi subscription free with Mercedes me connect (worth £240) and unlock access to 58 million songs.



Local Search

This feature provides support in the local search for restaurants or hotels and much more.



Send2Car

Make your journey easier: set your destination using the Mercedes me app and send it directly to your car's navigation system.



Internet Radio

Listen to podcasts and radio stations from anywhere in the world.



Digital Assistant

Digital Assistant allows you to connect to your car via Amazon Alexa or Google Assistant, meaning you can ask from the comfort of your sofa – is my car locked? When's the next service due? How much fuel do I have? Plus much more.

For more information speak to your local Retailer or visit the Mercedes me connect store at shop.mercedes-benz.com/en-gb/connect

¹Free of charge for first 3 years. Extension possible, visit the Mercedes me connect store for details on pricing



Book a test drive

- > Coupé
- > Cabriolet
- > AMG



View offers

- > Coupé
- > Cabriolet



> Find a Retailer



> View the Range Guide

Mercedes me connect.

Stay connected, any time, anywhere.

Mercedes me is a range of innovative online services designed to enhance your Mercedes-Benz experience. Accessible via mobile, tablet or PC, Mercedes me lets you enjoy the highest standards of care and support, in a way that integrates seamlessly with your busy lifestyle.



Vehicle Set-up (08U)

Visit the Mercedes me connect store or app for pricing.



Remote Vehicle Status

Check safety information, such as coolant level and brake pad condition, so you can be sure your car is safe and ready to drive.



Personalisation

Store your preferences, such as your favourite radio stations and apps, to create your personal driver profile.



Parked Vehicle Locator

Forgot where you parked your car? No problem: you can locate and track your car, with the Parked Vehicle Locator.



Vehicle Tracker

Track the location of your car anywhere in the world.



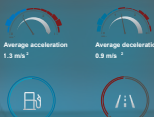
Pre-Entry Climate Control

Programming of charging settings and Pre-Entry Climate Control for plug-in vehicles.



Remote Door Locking/Unlocking

Lock and unlock your car remotely, wherever you are in the world.



ECO Display

Monitor your driving style with ECO Display. It summarises your driving style from the start of the journey to its completion to help you achieve the most economical way to drive.



Geo-fencing

Set up a geographical boundary and receive alerts whenever your car enters or leaves this area.

For more information speak to your local Retailer or visit the Mercedes me connect store at shop.mercedes-benz.com/en-gb/connect



Book a test drive
 > Coupé
 > Cabriolet
 > AMG



View offers
 > Coupé
 > Cabriolet



> Find a Retailer



> View the Range Guide

Mercedes-Benz Finance

Why should you finance with Mercedes-Benz?

At Mercedes-Benz we believe a great driving experience should be matched by an equally great ownership experience. That is why we put just as much thought, time and effort into designing our finance options, our service plans and our insurance cover as we do into our vehicles.

We are not in the business of simply providing a loan to fund the purchase of your dream vehicle. We look on it as a journey that we take with you, from the moment you choose your new Mercedes-Benz, to helping you in choosing your next one.

If you would like to find out more about any of our current offers, simply call into your local Mercedes-Benz Retailer where one of our Business Managers will be more than happy to talk you through anything you need to know.

Helping you find the right solution.

You should find our finance packages are more convenient than a traditional personal loan because:

- Funds are immediately available – no waiting for cheques or loans to clear.
- There is no security required – either against your home or other assets.
- We have clear and transparent rates – the APR we quote is the APR you get.
- We have friendly Business Managers – experts in vehicle finance who can talk you through all of your plans in detail.

One of our most popular finance products is Mercedes-Benz Agility (our Personal Contract Purchase product). We also offer Contract Hire, Operating Lease and Hire Purchase solutions. If you would like to find out more about these speak to your Retailer or visit www.mercedes-benz.co.uk/fandi.

Mercedes-Benz Agility (our PCP product).

At the start of an Agility agreement, you put down a deposit and decide the term of your agreement and your annual mileage. You will be advised of the Guaranteed Future Value, which offers you the reassurance of knowing exactly what you will need to pay to own the vehicle outright in the future (this is known as the Optional Purchase Payment).

Throughout your agreement you simply pay your agreed monthly payments and when the agreement comes to an end you either purchase, hand back or part-exchange your vehicle.





Book a test drive

- > Coupé
- > Cabriolet
- > AMG



View offers

- > Coupé
- > Cabriolet



> Find a Retailer



> View the Range Guide

Agility features:

- Fixed regular payments mean you can easily budget.
- Payments are based only on a proportion of the vehicle's value, keeping your monthly payments lower.
- Our Guaranteed Future Value avoids the risk of unplanned depreciation of your vehicle.
- You defer your ownership decision until the end of the agreement.

At the end of your agreement you have three options to choose from.

Option 1: Purchase your Mercedes-Benz.

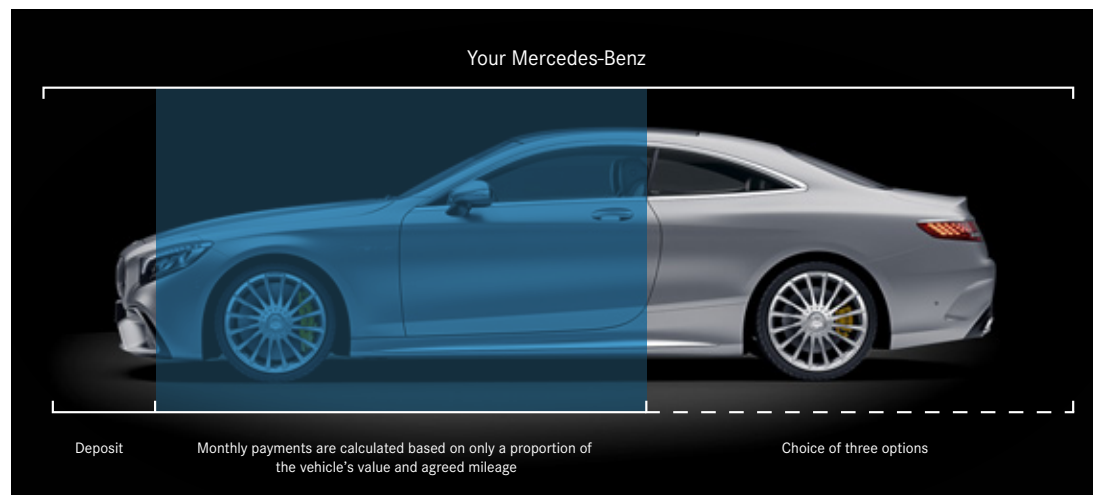
Purchase your Mercedes-Benz by paying the Optional Purchase Payment and Purchase Activation Fee.¹ This will complete the purchase of your Mercedes-Benz, leaving you free to simply enjoy your vehicle.

Option 2: Hand back your Mercedes-Benz.

If you decide to return your vehicle to us, it must be in line with our Vehicle Return Standards,^{*} as vehicle condition, excess mileage and other charges may be payable.

Option 3: Part-Exchange for a new vehicle.

Purchase your Mercedes-Benz by paying the Optional Purchase Payment and Purchase Activation Fee.¹ This will complete the purchase of your Mercedes-Benz, leaving you free to part-exchange for a new vehicle.



¹Please note the 'Purchase Activation Fee' of £10 will be debited from your account *To find out more information about our Vehicle Return Standards please visit <http://mercedes-benz.co.uk/vrs>



Book a
test drive

- > Coupé
- > Cabriolet
- > AMG



View offers

- > Coupé
- > Cabriolet



> Find a Retailer



> View the Range Guide

Follow us on the following social media channels:



facebook.com/mercedesbenzuk



twitter.com/mercedesbenzuk



youtube.com/mercedesbenzuk



instagram.com/mercedesbenzuk

Effective from December 2019 Production. Information correct at time of publication.

Prices and specifications are subject to change without prior notice.

MBAC217PL/1019 MY800.5

Mercedes-Benz Cars UK Limited, Tongwell, Milton Keynes, MK15 8BA. Company number 2448457 www.mercedes-benz.co.uk