

£ > View offers

Book a > AMG Line
test drive > AMG

> Find a Retailer

> View the Range Guide

CLS Coupé



Effective from August 2019 Production

Mercedes-Benz





> View offers



Book a > AMG Line
test drive > AMG



> Find a Retailer



> View the Range Guide

Contents

5 Model prices

6 AMG Line

9 Premium Plus equipment line

11 Mercedes-AMG model

14 Mercedes-AMG driver training

15 Standard equipment

21 Wheels

23 Comfort package

25 Driving Assistance
Plus package

26 Optional equipment

29 Mercedes me applications
and services

30 Genuine Accessories

32 Colours and materials

42 Technical data

46 Road Fund Licence

47 Services and insurance

48 Mercedes me

50 Mercedes-Benz Finance



> View offers



Book a > AMG Line
test drive > AMG



> Find a Retailer



> View the Range Guide



Some of the model features, optional extras and colours shown may not be available, or may only be available in a different specification.



> View offers



Book a > AMG Line
test drive > AMG



> Find a Retailer



> View the Range Guide



Some of the model features, optional extras and colours shown may not be available, or may only be available in a different specification.

[View offers](#)[Book a test drive](#) [AMG Line](#) [AMG](#)[Find a Retailer](#)[View the Range Guide](#)

Model prices

Engine	Model line	Transmission	CO ₂ ^{1,*}	Basic RRP excl. VAT (£)	Total RRP incl. VAT (£)	Road Fund Licence (£) ²	Rec. OTR price (£) ³	P11D value (£)	BiK tax rate 2019/20 (%)
CLS 300 d Diesel – 1,950 cc, 4-cylinder, 245 hp/182 kW	AMG Line	9G-TRONIC 9-speed automatic	142	40,741.67	48,890.00	530.00	50,215.00	49,630.00	36
CLS 350 d 4MATIC Diesel – 2,925 cc, 6-cylinder, 286 hp/210 kW	AMG Line	9G-TRONIC 9-speed automatic	158	47,554.17	57,065.00	855.00	58,715.00	57,805.00	37
CLS 400 d 4MATIC Diesel – 2,925 cc, 6-cylinder, 340 hp/250 kW	AMG Line	9G-TRONIC 9-speed automatic	158	49,970.83	59,965.00	855.00	61,615.00	60,705.00	37
CLS 350 Petrol – 1,991 cc, 4-cylinder, 299 hp/220 kW EQ Boost – 14 hp/10 kW	AMG Line	9G-TRONIC 9-speed automatic	163	43,470.83	52,165.00	530.00	53,490.00	52,905.00	36
CLS 450 4MATIC Petrol – 2,999 cc, 6-cylinder, 367 hp/270 kW EQ Boost – 22 hp/16 kW	AMG Line	9G-TRONIC 9-speed automatic	187	47,387.50	56,865.00	855.00	58,515.00	57,605.00	37
Mercedes-AMG									
Mercedes-AMG CLS 53 4MATIC+ Petrol – 2,999 cc, 6-cylinder, 435 hp/320 kW EQ Boost – 22 hp/16 kW	-	AMG SPEEDSHIFT TCT 9-speed transmission	199	60,475.00	72,570.00	1,280.00	74,645.00	73,310.00	37

¹The indicated values were determined according to the prescribed measurement method – Worldwide Harmonised Light Vehicle Test Procedure (WLTP). Figures shown may include options which are not available in the UK.

For Battery Electric Vehicles (BEV), figures determined with battery fully charged. These models require mains electricity for charging

*CO₂ figures have been converted into NEDC-equivalent values for use with the current VED and BiK tax legislation

Figures shown are for comparability purposes; only compare with other cars tested to the same technical procedures. Figures may not reflect real life driving results, which will depend upon a number of factors including the starting charge of the battery, factory-fitted options, accessories fitted (post registration), variations in weather, driving styles and vehicle load. Further information about the test used to establish fuel consumption and CO₂ figures can be found at <http://www.mercedes-benz.co.uk/WLTP>

²A different first year rate of Vehicle Excise Duty (Road Fund Licence) applies for new cars. Please refer to page 46 for the relevant rate for the second and subsequent years

³The recommended on-the-road price includes the Road Fund Licence applicable to the standard model plus delivery charge (£715.00 incl. VAT), new vehicle registration fee (£55.00) and number plates (£25.00 incl. VAT). VAT is calculated at the standard rate of 20%



> View offers



Book a > AMG Line
test drive > AMG



> Find a Retailer



> View the Range Guide

6

CLS Coupé AMG Line





> View offers



Book a > AMG Line
test drive > AMG



> Find a Retailer



> View the Range Guide



Optional features shown: Driving Assistance Plus package (code P20); Premium Plus equipment line (code DP1); designo hyacinth red (code 996U)

The CLS AMG Line celebrates style and innovation in equal measure, featuring 19" AMG 5-twin-spoke alloy wheels and innovative MULTIBEAM Intelligent Light System with ULTRA RANGE highbeam. While the AMG bodystyling emphasizes the sharp exterior, the interior dazzles with black leather, open-pore grey ash wood trim and ambient lighting. Heated seats and a seat comfort package for the driver and front passenger ensure you

arrive refreshed. The black nappa leather AMG 3-spoke multifunction steering wheel has chrome inserts and touch control buttons. You can adjust the Audio 20 USB multimedia system and the 12.3-inch widescreen cockpit display via the multitouch control touchpad. For the ultimate ride comfort, the CLS AMG Line is also equipped with DYNAMIC SELECT and AGILITY CONTROL suspension.

Exterior

Parking package incl. Active Parking Assist and reversing camera
19" AMG alloy wheels – 5-twin-spoke design
Active Brake Assist
AGILITY CONTROL suspension with selective damping system
AMG bodystyling – front apron, rear apron and side skirts
Brake discs – perforated, with ‘Mercedes-Benz’ lettering
Cruise control and variable speed limiter
DYNAMIC SELECT with a choice of driving modes
Electrically folding mirrors and dimming rear-view mirror
EQ Boost starter alternator (CLS 450 4MATIC only)
Lane Keeping Assist
MULTIBEAM Intelligent Light System with ULTRA RANGE highbeam
Privacy glass
Rain sensor with automatic headlight activation

Interior

Seat Comfort package: driver and front passenger seat electro-pneumatic four-way lumbar support and manual seat cushion depth adjustment (6 cm)
AMG Line floor mats
Ambient lighting, staged – 64 colours
ARTICO leather ¹ upper dashboard and beltlines with contrast stitching; black roof lining
Audio 20 USB multimedia system with 12.3-inch display
Brushed stainless steel AMG sports pedals with black rubber studs
DAB digital radio tuner
Heated front seats with leather upholstery
KEYLESS-GO starting function
SD card-based navigation system
Seats – rear, split folding 40:20:40

Steering wheel – AMG 3-spoke multifunction steering wheel in black nappa leather with flattened bottom section, chrome inserts with touch-control buttons
Touchpad with multitouch control
Widescreen (12.3 inch) cockpit display

Trim and Upholstery

Open-pore grey ash wood



Leather – black



Please refer to page 36 for the full range of trim and upholstery choices

¹Man-made leather



> View offers



Book a > AMG Line
test drive > AMG



> Find a Retailer



> View the Range Guide

Premium Plus equipment line



Electric sliding sunroof



360° camera with Active Parking Assist



Burmester® surround sound system

A package to enhance the comfort and convenience of your CLS Coupé, the Premium Plus equipment line features COMAND Online for all your multimedia needs, a Burmester® surround sound system and an electric sliding sunroof. The Memory package saves the perfect set up for you, from seating position to mirror settings, while parking is made easier thanks to a 360° camera, the KEYLESS-GO Comfort package makes for effortless hands-free, keyless access to your CLS.

Premium Plus equipment line (code DP1) – designed and priced as a package, including items listed opposite.

AMG Line

Total incl. VAT £3,895.00

Standard on Mercedes-AMG CLS 53 4MATIC+

Premium Plus equipment line comprises:

360° camera

Four networked cameras in front grille, wing mirror and boot. Information from Active Parking Assist on vehicle contours shown, and rear guidelines included

Burmester® surround sound system

13 speakers and a 9-channel amplifier with total output of 590 watts

COMAND Online

Media interface and touchpad with control wheel and 12.3-inch colour display. Integrated WLAN/Wi-Fi hotspot for onboard access of WLAN/Wi-Fi-enabled devices. Hard disk drive (HDD) navigation with 3D map display. Smartphone integration via Android Auto or Apple CarPlay™. Car-to-X communication and Traffic Sign Assist

Electric sliding sunroof

Electrically-operated sliding glass sunroof, providing additional light and ventilation into the car

KEYLESS-GO Comfort package

Including hands-free access, automatic powered boot closing and keyless entry

Memory package

Four-way lumbar support; fully electric front passenger and driver's seats; storage of seat, steering wheel and exterior mirror settings

PRICING SUMMARY FOR PREMIUM PLUS EQUIPMENT LINE	Rec. OTR price (£) ²	Rec. OTR price (£) ² Premium Plus equipment line
CLS 300 d	50,215.00	54,110.00
CLS 350 d 4MATIC	58,715.00	62,610.00
CLS 400 d 4MATIC	61,615.00	65,510.00
CLS 350	53,490.00	57,385.00
CLS 450 4MATIC	58,515.00	62,410.00

¹Free of charge for one year. For availability please check with your Retailer

²The recommended on-the-road price includes the Road Fund Licence applicable to the standard model plus delivery charge (£715.00 incl. VAT), new vehicle registration fee (£55.00) and number plates (£25.00 incl. VAT). VAT is calculated at the standard rate of 20%



> View offers



Book a > AMG Line
test drive > AMG



> Find a Retailer



> View the Range Guide

Mercedes-AMG CLS 53 4MATIC+





> View offers



Book a > AMG Line
test drive > AMG



> Find a Retailer



> View the Range Guide





> View offers



Book a > AMG Line
test drive > AMG



> Find a Retailer



> View the Range Guide

Performance, style, comfort – the new CLS 53 4MATIC+ has it all. Built with a 6 cylinder in-line engine, this CLS delivers 435 hp (320 kW) and 500 Nm maximum torque. It shares many of the AMG Line features, including the 19" AMG 5-twin-spoke alloy wheels and innovative MULTIBEAM Intelligent Light System with ULTRA RANGE highbeam. The AMG bodystyling is a must, along with 'BITURBO 4MATIC+' lettering on the front wings.

The interior stands out with black nappa leather, open-pore grey ash wood trim and ambient lighting. For added comfort and convenience, the CLS 53 4MATIC+ comes with the Premium Plus equipment line as standard. It includes COMAND Online for all your multimedia needs, a Burmester® surround sound system and an electric sliding sunroof. You'll also enjoy the Memory package and the KEYLESS-GO Comfort package.

Exterior

- _____ Parking package incl. Active Parking Assist and reversing camera
- _____ 19" AMG alloy wheels – 5-twin-spoke design
- _____ Active Brake Assist
- _____ AGILITY CONTROL suspension with selective damping system
- _____ AMG bodystyling – front apron, rear apron and side skirts
- _____ AMG performance exhaust system
- _____ Brake discs – perforated, with 'Mercedes-Benz' lettering
- _____ Cruise control and variable speed limiter
- _____ DYNAMIC SELECT with a choice of driving modes
- _____ Electrically folding mirrors and dimming rear-view mirror
- _____ Lane Keeping Assist
- _____ MULTIBEAM Intelligent Light System with ULTRA RANGE highbeam
- _____ Rain sensor with automatic headlight activation

Interior

- _____ Premium Plus equipment line (please see page 10 for details)
- _____ Seat Comfort package: driver and front passenger seat electro-pneumatic four-way lumbar support and manual seat cushion depth adjustment (6 cm)
- _____ Ambient lighting, staged – 64 colours
- _____ ARTICO leather¹ upper dashboard and beltlines with contrast stitching; black roof lining
- _____ Brushed stainless steel AMG sports pedals with black rubber studs
- _____ COMAND with widescreen (12.3 inch) cockpit display
- _____ DAB digital radio tuner
- _____ Heated front seats with leather upholstery
- _____ KEYLESS-GO starting function
- _____ Seats – rear, split folding 40:20:40

- _____ Steering wheel – AMG 3-spoke multifunction steering wheel in black nappa leather with flattened bottom section and chrome inserts with touch-control buttons
- _____ Touchpad with multitouch control

Trim and Upholstery

Open-pore grey ash wood



Nappa leather – black



Please refer to page 36 for the full range of trim and upholstery choices

¹Man-made leather



> View offers



Book a > AMG Line
test drive > AMG



> Find a Retailer



> View the Range Guide

Become the AMG expert

Unleash a new level of performance.

All Mercedes-AMG customers are invited to a complimentary adrenaline-packed driving experience, under the guidance of our driving specialists at Mercedes-Benz World.



Discover AMG at Mercedes-Benz World

- Individually tailored to your ability
- No previous track experience necessary
- See how well an AMG performs when pushed to its limits
- Put your theoretical driving knowledge to the test on a real track
- Understand the cause and effect of understeer, oversteer drift, collision avoidance and track etiquette
- Get to grips with the Mercedes-Benz World's purpose-built track and dynamic driving facilities

TERMS AND CONDITIONS

The following customers only are eligible: the first purchaser/registered keeper of a newly registered Mercedes-AMG. The complimentary Training as described in the brochure must be booked and taken within six months of delivery of your Mercedes-AMG. The Training is available Monday to Friday and is subject to availability. Requests for Saturday and Sunday will incur an additional charge. Upgrades are available for an additional cost: details upon request. Transferable to individuals who reside at the same postal address only. Mercedes-Benz Cars UK Limited reserves the right to amend or withdraw this Training experience. Attendees must hold a full UK driving licence. Attendees will be required to sign the Mercedes-Benz World Driving Risk Acknowledgement prior to undertaking the Training experience. The Training experience is also subject to the Mercedes-Benz World Terms and Conditions, as applicable. Invitation is emailed to the customer post-delivery. Permission via the customer contact preferences must be given to enable Mercedes-Benz World to contact. Retailer demonstrator vehicles are not eligible.



> View offers



Book a > AMG Line
test drive > AMG



> Find a Retailer



> View the Range Guide

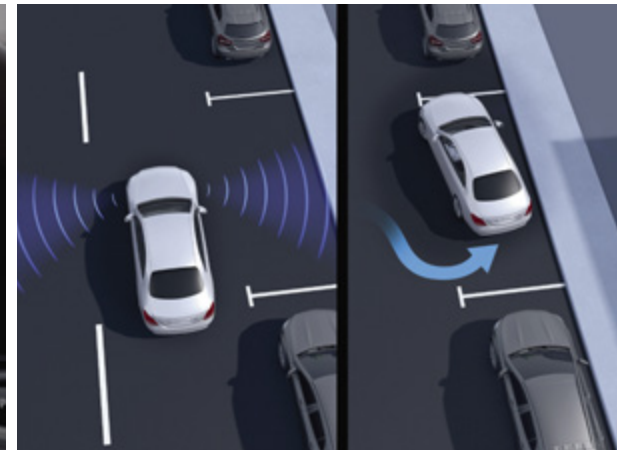
Standard equipment



SD card-based navigation system



Widescreen (12.3-inch) cockpit display



Parking package including Active Parking Assist and reversing camera



Staged ambient lighting - choice of 64 colour settings



Heated front seats with leather upholstery



MULTIBEAM Intelligent Light System with ULTRA RANGE high beam



> View offers



Book a > AMG Line
test drive > AMG



> Find a Retailer



> View the Range Guide

Standard equipment

Item	AMG Line	CLS 53 4MATIC+
Engine, Transmission and Suspension		
9G-TRONIC 9-speed automatic transmission	●	●
AGILITY CONTROL suspension with selective damping system and lowering by 15 mm	●	●
AMG DYNAMIC SELECT with a choice of driving modes: Comfort, Sport, Sport+ and Individual	-	●
DYNAMIC SELECT with a choice of driving modes: ECO, Comfort, Sport and Individual	●	-
ECO start/stop function	●	●
EQ Boost starter-alternator (CLS 450 4MATIC only)	●	●
Steering		
AMG Performance steering wheel in nappa leather	-	●
Direct-Steer speed sensitive steering	●	●
Steering column – manually adjustable for height and reach	●	●
Steering wheel – AMG 3-spoke multifunction steering wheel with touch control buttons, trimmed in black nappa leather with flattened bottom section	●	-
Steering wheel – AMG 3-spoke multifunction steering wheel in black nappa leather with flattened bottom section and chrome inserts with touch-control buttons	-	●
Steering wheel – multifunction, with gearshift paddles	●	●
Steering wheel – touch-control buttons for audio and onboard settings	●	●

Item	AMG Line	CLS 53 4MATIC+
Exterior		
Mirror package – electrically folding mirrors and automatically-dimming driver’s exterior mirror and rear-view mirror	●	●
25-litre AdBlue tank (diesel engines only)	●	-
66-litre fuel tank (diesel engines only)	●	-
80-litre fuel tank (petrol engines only)	●	●
AMG bodystyling – front and rear aprons, side skirts in polished aluminium	●	●
AMG performance exhaust system	-	●
Exterior mirrors – body colour	●	●
Exterior mirrors – heated and electronically adjustable	●	●
Headlamps – MULTIBEAM Intelligent Light System with Adaptive Highbeam Assist Plus and ULTRA RANGE high beam	●	●
Perforated front brake discs and brake calipers with ‘AMG’ lettering	-	●
Perforated front brake discs and brake calipers with ‘Mercedes-Benz’ lettering	●	-
Pre-installation for roof rail systems	●	●
Privacy glass – dark glass from B-pillar backwards	●	●
Radiator grille with integrated star – single louvre in matt iridium silver with chrome trim	●	●
Rain-sensing windscreen wipers	●	●
Rear lights – LED	●	●
Reversing camera	●	●



Item	AMG Line	CLS 53 4MATIC+
Exterior (continued)		
Spoiler lip	●	●
Sports exhaust sytem (CLS 450 4MATIC only)	●	-
Sports tyres with noise reducing absorber Not in conjunction with 20" alloy wheels (code RVO)	●	●
Tinted glass all round - green	●	●
TIREFIT with tyre inflation compressor Not in conjunction with 20" alloy wheels (code RVO)	●	●
Top surround of side windows in polished aluminium	●	●
Visible twin-pipe exhaust system integrated into the bumper	●	●
Waistline in polished aluminium	●	●

Item	AMG Line	CLS 53 4MATIC+
Interior		
Seat Comfort package Driver and front passenger seat electro-pneumatic four-way lumbar support and manual seat cushion depth adjustment (6 cm)	●	●
Stowage package Double cup holder in centre console for 2 x 750ml, two fluorescent jackets, map pockets on rear of front seats. Bag hooks under parcel shelf, net on luggage compartment floor	●	●
Analogue clock on centre console	●	●
Automatic climate control - two-zone	●	●
Central stowage compartment with 12V socket in centre console Replaced with USB socket in conjunction with optional wireless charging	●	●
Courtesy lights in rear grab handles with reading light functionality	●	●
Door pins in chrome	●	●
Electric windows (4) - with one-touch opening and closing, including obstruction sensors	●	●
Electronic key - chrome surround	●	●
Floor mats with 'AMG' lettering	●	●
Front centre armrest with stowage compartment	●	●
Glasses compartment in overhead control panel	●	●
Glove compartment - lockable, air-conditioned and illuminated	●	●
Head restraints for driver and front passenger (four-way adjustability) and in rear (two-way)	●	●



> View offers



Book a > AMG Line
test drive > AMG



> Find a Retailer



> View the Range Guide

Standard equipment

18

Item	AMG Line	CLS 53 4MATIC+
Interior (continued)		
Instrument cluster – widescreen (12.3-inch) cockpit display High resolution screen with choice of three display styles	●	●
Interior 64-colour ambient lighting – dynamic multicolour LED lighting of trim on dashboard, centre console, front air vents, front and rear door panelling; in front and rear door pockets, cup holder and stowage compartment, rear footwell and rear door handle recesses 10 colour palettes with various colour combinations Climate control effects with colour feedback Three unique ambient lighting settings based on display styles ‘Classic’, ‘Progressive’ or ‘Sport’ Welcome light effect upon entry to cabin	●	●
KEYLESS-GO starting function	●	●
Outside temperature display	●	●
Seats – front, four-way partially electric seat adjustment	●	●
Seats – front, heated	●	●
Seats – rear, three seats	●	●
Seats – rear, split folding 40:20:40	●	●
Service indicator ASSYST	●	●
Sports pedals in brushed stainless steel with rubber studs	●	●
Sun visors with illuminated vanity mirrors	●	●
Trip computer in multifunction display showing current fuel consumption	●	●

Item	AMG Line	CLS 53 4MATIC+
Paint, Trim and Upholstery		
Paint – non-metallic	●	●
Roof liner – black	●	●
Trim – centre console, grey open-pore ash wood	●	●
Trim – dashboard and door, grey open-pore ash wood	●	●
Trim – upper dashboard, ARTICO leather ¹ with contrast topstitching	●	●
Upholstery – leather	●	–
Upholstery – nappa leather	△	●

● Standard ○ Optional – Not available



> View offers



Book a > AMG Line
test drive > AMG



> Find a Retailer



> View the Range Guide

Standard equipment

19

Item	AMG Line	CLS 53 4MATIC+
Safety and Assistance Systems		
Active bonnet – pedestrian safety measure which detects an impact and raises bonnet	●	●
Active Brake Assist	●	●
Adaptive brake lights	●	●
Adaptive Brake System with HOLD function and brake drying in the wet	●	●
Airbag – kneebag for driver	●	●
Airbags – driver and front passenger, with extended adaptivity for front passenger airbag	●	●
Airbags – sidebag for driver and front passenger (combined thorax/pelvis bag)	●	●
Airbags – windowbags	●	●
Alarm system with immobiliser and interior protection	●	●
Anti-lock braking system (ABS)	●	●
Attention Assist – can help alert to long journey fatigue	●	●
Automatic child seat recognition sensor	●	●
Brake wear warning display	●	●
Central locking with interior switch, automatic locking and crash sensor with emergency opening function	●	●
Childproof locks – manually operated for rear doors and electrically operated for rear power windows	●	●
Cruise control with variable speed limiter	●	●
Diesel Particulate Filter (DPF) – diesel models only	●	–

Item	AMG Line	CLS 53 4MATIC+
Electronic parking brake	●	●
Electronic Stability Programme (ESP®)	●	●
First-aid kit and warning triangle	●	●
Incorrect fuelling protection – diesel models only	●	●
ISOFIX child seat attachment points – two outer rear seats	●	●
Lane keeping assist	●	●
Petrol Particulate Filter (PPF) – petrol models only	●	●
PRE-SAFE® anticipatory safety system	●	●
Remote boot release	●	●
Seat belts – three-point	●	●
Seat occupancy sensor for front passenger seat	●	●
Speed Limit Assist	●	●
Status display for rear seat belts in instrument cluster	●	●
Tyre pressure monitoring system	●	●



Item	AMG Line	CLS 53 4MATIC+
Communications and In-Car Entertainment		
Audio 20 USB, including control wheel with integrated Media Interface port for iPod® or iPhone® and Bluetooth® interface with hands-free function.	●	–
COMAND Online Media interface and touchpad with control wheel and 12.3-inch colour display. Integrated WLAN/Wi-Fi hotspot for onboard access of WLAN/Wi-Fi-enabled devices. Hard disk drive (HDD) navigation with 3D map display. Smartphone integration via Android Auto or Apple CarPlay™. Car-to-X communication and Traffic Sign Assist ¹	–	●
DAB digital radio	●	●
High-resolution 12.3-inch multimedia colour display	●	●
Mercedes me connect (standard services) Including emergency call system (eCall), accident recovery, breakdown and maintenance management	●	●
Mercedes me connect (vehicle monitoring) Geofencing Parked vehicle locator Vehicle monitoring Vehicle tracker Free of charge for first three years - extension possible and pricing information available via Mercedes me store	●	●

Item	AMG Line	CLS 53 4MATIC+
Mercedes me connect (vehicle set-up) Personal profile of your favourite settings Remote door locking and unlocking Remote retrieval of vehicle status Send to car function Free of charge for first three years - extension possible and pricing information available via Mercedes me store	●	●
Radio aerial integrated into rear window	●	●
SD card-based navigation system Operation via controller or voice control. SD card navigation with instructions shown on 12.3-inch high-resolution colour display and in the instrument cluster. Includes 3D views with visualisation of roads and buildings as well as junction and lane assistants, making it easy for drivers to orientate themselves. Spoken instructions are emitted through vehicle's built-in speakers. Software and map can be updated online	●	–
Touchpad with control wheel	●	●
USB ports (2) in centre console	●	●

Wheels



RRE 19" AMG alloy wheels (4) – 5-twin-spoke design, painted tremolite grey with a high-sheen finish, front: 245/40 tyres, 8J x 19 ET 33 wheels; rear: 275/35 sports tyres, 9J x 19 ET 28 wheels and TIREFIT with tyre inflation compressor

AMG Line	●
Mercedes-AMG CLS 53 4MATIC+	-
Total RRP incl. VAT (£)	-
excl. VAT (£)	-



RVO 20" alloy wheels (4) – multi-spoke design, painted titanium grey with a high-sheen finish, front: 245/35 tyres, 8J x 19 ET 33 wheels; rear: 275/30 run-flat tyres, 9J x 19 ET 28 wheels

AMG Line	○
Mercedes-AMG CLS 53 4MATIC+	-
Total RRP incl. VAT (£)	595.00
excl. VAT (£)	495.83



RRF 19" AMG alloy wheels (4) – 5-twin-spoke design, painted black with a high-sheen finish, front: 245/40 tyres, 8J x 19 ET 33 wheels; rear: 275/35 sports tyres, 9J x 19 ET 28 wheels and TIREFIT with tyre inflation compressor

AMG Line	-
Mercedes-AMG CLS 53 4MATIC+	●
Total RRP incl. VAT (£)	-
excl. VAT (£)	-



> View offers



Book a > AMG Line
test drive > AMG



> Find a Retailer



> View the Range Guide

Wheels

22



RTY 20" AMG alloy wheels (4) – 5-twin-spoke design, painted tremolite grey with a high-sheen finish
front: 245/35 tyres, 8J x 20 ET 10 wheels; rear: 275/30 sports tyres, 9J x 20 ET 28 wheels
and TIREFIT with tyre inflation compressor

AMG Line	-
Mercedes-AMG CLS 53 4MATIC+	○
Total RRP incl. VAT (£)	1,295.00
excl. VAT (£)	1,079.16



RTZ 20" AMG alloy wheels (4) – 5-twin-spoke design, painted black with a high-sheen finish
front: 245/35 tyres, 8J x 20 ET 10 wheels; rear: 275/30 sports tyres, 9J x 20 ET 28 wheels
and TIREFIT with tyre inflation compressor

AMG Line	-
Mercedes-AMG CLS 53 4MATIC+	○
Total RRP incl. VAT (£)	1,295.00
excl. VAT (£)	1,079.16



> View offers



Book a > AMG Line
test drive > AMG



> Find a Retailer



> View the Range Guide

Comfort package





> View offers



Book a > AMG Line
test drive > AMG



> Find a Retailer



> View the Range Guide



AIR BODY CONTROL – multi-chamber air suspension with continuously-adjustable damping to improve ride comfort and driving dynamics



ENERGIZING comfort control – enhancing well-being and performance

Comfort package

24

The Comfort package adds further sophisticated touches to your CLS. AIR BALANCE interior air fragrance dispenser creates an uplifting atmosphere onboard the CLS. ENERGIZING comfort control offers an intelligent network of comfort systems to link comfort features, while AIR BODY CONTROL multi-chamber air suspension enhances ride comfort with continually-adjustable damping. The package also contains luxurious black or beige nappa leather upholstery.

Comfort package (code DP4) – including the luxury items listed below. Available only in conjunction with the Premium Plus equipment line (code DP1).

	AMG Line £2,495.00 ¹ (code DP4)	Mercedes-AMG CLS 53 4MATIC+ £395.00 ¹ (code DP4)
Comfort package comprises:		
AIR BALANCE – interior fragrance dispenser. Fragrance can be changed by exchanging the flasks in the glove compartment. Intensity and duration of fragrance diffusion can be adjusted. Oxygen ionisation and improved filtering system	■	■
AIR BODY CONTROL – multi-chamber air suspension with continuously-adjustable damping to improve ride comfort and driving dynamics	■	–
ENERGIZING comfort control – intelligent cross-linking of all comfort systems. Drivers can choose from various expert-configured programmes for activation and relaxation, depending on their personal needs	■	■
Nappa leather upholstery – luxurious soft nappa leather upholstery finished in black (macchiato beige available as a no-cost option)	■	–

■ Included – Not included ¹Including VAT

Driving Assistance Plus package

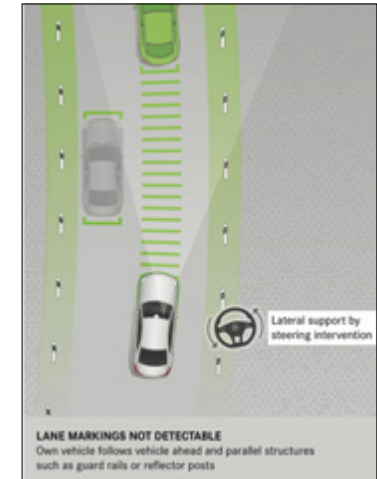
Driving Assistance Plus package contains a range of highly intelligent features to help you stay safe on the road – by making the drive more effortless, by warning of danger, and by taking steps to protect you in an emergency.

Driving Assistance Plus package (code P20) – including items listed below.

All models

Total incl. VAT £1,695.00

Images shown: Active Distance Assist DISTRONIC – Active Steering Assist – Active Speed Limit Assist



Driving Assistance Plus package comprises:

Active Blind Spot Assist

Active Blind Spot Assist can warn the driver of vehicles in the blind spot during a lane change and can help to avoid a collision by means of one-sided braking intervention

Active Brake Assist with cross-traffic function and tailback emergency braking function

Can help to avoid accidents with vehicles ahead, crossing traffic and also pedestrians, and/or mitigate their consequences

Active Distance Assist DISTRONIC – Active Steering Assist – Active Speed Limit Assist

DISTRONIC proximity control helps maintain the desired distance from another vehicle in front. Active Steering Assist provides targeted steering intervention to prevent unintentional drifting out of lane. Active Speed Limit Assist¹ ensures detected speed limits are automatically adopted as the set speed for Active Distance Assist DISTRONIC

Active Lane-change Assist¹

Assists the driver with changing lanes by means of steering torque as soon as the driver initiates the change by activating the direction indicator, provided the system does not detect another vehicle in the adjacent lane

Active Lane Keeping Assist

Active Lane Keeping Assist can warn drivers when they unintentionally leave their lane and can use one-sided braking intervention to help manoeuvre the vehicle back into its lane (including, in the case of broken lane markings, if there is a risk of collision)

Evasive Steering Assist

Evasive Steering Assist can support the driver in making evasive manoeuvres if, in a dangerous situation, he/she moves to avoid any pedestrian detected by the system

PRE-SAFE® Impulse Side

Can prepare the front occupants for a side impact with a lateral impulse, reducing risk of injury

PRE-SAFE® PLUS

When a rear-end collision threatens, PRE-SAFE® PLUS can initiate preventive measures to protect the occupants, including warning following traffic and locking the brakes on standstill

Route-based speed adaptation¹

Adaption of speed before curves, roundabouts, junctions, toll roads. Allows for smoother and more accurate functionality of several driving assistant systems

¹Only in conjunction with COMAND Online system



Optional equipment

Item	Notes	AMG Line CLS 53 4MATIC+			Basic RRP excl. VAT (£)	Total RRP incl. VAT (£)
Exterior						
AMG Night package Arrow-shaped wing signet in high-gloss black above 'BITURBO 4MATIC+' badging Black chrome-plated twin tailpipe trim elements Chrome trim in rear bumper in high-gloss black Exterior mirror housings in high-gloss black Front apron in high-gloss black Radiator grille with integral Mercedes-Benz star and a single louvre in high-gloss black Waistline trim strip in high-gloss black		P60	-	○	662.50	795.00
Paint, Trim and Upholstery						
Metallic paint		'	○	○	570.83	685.00
designo metallic paint Available in: designo diamond white 799 designo hyacinth red 996	Please check with your Retailer for availability	'	○	○	745.83	895.00
Upholstery - beige leather	Round steering wheel replaces AMG 3-spoke multifunction steering wheel with flattened bottom section	205	○	-	no-cost option	
Upholstery - nappa leather	Only in conjunction with Comfort package (code DP4)	'	△	●	-	-



Item	Notes	AMG Line	CLS 53 4MATIC+	Basic RRP excl. VAT (£)	Total RRP incl. VAT (£)
Comfort					
Comfort package	Only in conjunction with Premium Plus equipment line (code DP1). Please refer to pages 23-24 for more information	DP4	○ -	2,079.17	2,495.00
AIR BALANCE – interior fragrance dispenser. Fragrance can be changed by exchanging the flasks in the glove compartment. Intensity and duration of fragrance diffusion can be adjusted. Oxygen ionisation and improved filtering system		-	○	329.17	395.00
AIR BODY CONTROL – multi-chamber air suspension with continuously-adjustable damping to improve ride comfort and driving dynamics					
ENERGIZING comfort control – intelligent cross-linking of all comfort systems. Drivers can choose from seven different expert-configured programmes for activation and relaxation, depending on their personal needs					
Nappa leather upholstery – luxurious soft nappa leather upholstery finished in black					
Safety and Assistance Systems					
Driving Assistance Plus package	Please refer to page 25 for details	P20	○ ○	1,412.50	1,695.00
Active Blind Spot Assist					
Active Brake Assist with cross-traffic function					
Active Distance Assist DISTRONIC – Active Steering Assist – Active Speed Limit Assist					
Active Lane Keeping Assist					
Evasive Steering Assist					
PRE-SAFE® Impulse Side					
PRE-SAFE® PLUS					
Route-based speed adaption					



> View offers



Book a > AMG Line
test drive > AMG



> Find a Retailer



> View the Range Guide

Optional equipment

28

Item	Notes	897	○	○	Basic RRP excl. VAT (£)	Total RRP incl. VAT (£)
Communications and In-Car Entertainment						
Wireless charging Wireless charging surface integrated into quick stowage tray in front of centre console. Quick establishment of connection between multimedia system and mobile phone via Near Field Communication (NFC)	Wireless charging is suitable for smartphones with a diagonal screen size up to six inches. Please refer to http://www.mercedes-benz-mobile.com/ for full device compatibility	897	○	○	125.00	150.00
Service Package						
ServiceCare ServiceCare allows you to spread the cost of servicing your new car in the Mercedes-Benz Retailer network. Taking out a ServiceCare plan ensures your servicing needs are taken care of by fully trained Mercedes-Benz Technicians with the added benefit of a Mercedes-Benz service history	Price is based on a monthly rate. Example given is for two services taken over 24 months; three services over 36 months; or four services over 48 months. Further payment options are available. New ServiceCare prices apply only to vehicles up to 12 months old prior to first service	1	○	○	28.33	34.00



> View offers



Book a > AMG Line
test drive > AMG



> Find a Retailer



> View the Range Guide

Mercedes me applications and services¹

Features available via Mercedes me store: <https://mercedes-benz.com/en/mercedes-me/>

Item	Notes	Notes on pricing and availability
In-Car Internet Ability for an in-car internet service and personalised radio. Use the whole world of the internet in your vehicle by using COMAND Online as a Wi-Fi hotspot allowing unlimited access to internet radio. All you need is a Vodafone account with the corresponding data volume	Only available with COMAND Online system (code 531)	Available via Mercedes me store Please refer to Mercedes me store for pricing information
In-Car Office Access to e-mail, phone, calendar	Only available with COMAND Online system (code 531)	Free of charge for first three months Extension possible and pricing information available via Mercedes me store
Live Traffic Using this service allows the reception of up-to-date and precise traffic information for optimised dynamic route guidance and a more accurate estimated time of arrival		Free of charge for first three years Requires acceptance of Terms and Conditions on Mercedes me connect after first three months. Extension possible and pricing information available via Mercedes me store
Vehicle Set-up Personal profile of your favourite settings Remote door locking and unlocking Remote retrieval of vehicle status Send to car function		Free of charge for first three years Extension possible and pricing information available via Mercedes me store
Vehicle Monitoring Geofencing Parked vehicle locator Vehicle tracker		Free of charge for first three years Extension possible and pricing information available via Mercedes me store

¹Extra services available via the Mercedes me account on new CLS. Terms and Conditions must be agreed to in the Mercedes me portal before activation



> View offers



Book a > AMG Line
test drive > AMG



> Find a Retailer



> View the Range Guide

Genuine Accessories

We've developed a range of Accessories you can add to help personalise and enhance your CLS. Your local Mercedes-Benz Retailer can advise on fitting costs of Accessories, where applicable. Further information on our full range of Genuine Accessories can be found **here** on the Mercedes-Benz UK website.

01 | Head restraint modular system

Carefree travel with Mercedes-Benz Style & Travel Equipment. The head restraint elements are simple to fit and remove. The modular system centres around a base support which can be combined with a coat hanger, universal hook, folding table and tablet mount.

Base support (A0008103300): **RRP £23.64 (incl. VAT)**

Coat hanger (A0008103400): **RRP £67.60 (incl. VAT)**

Folding table (A0008160000): **RRP £108.60 (incl. VAT)**

Bag hook (A0008140000): **RRP £28.00 (incl. VAT)**

02 | Concertina load sill protector (A2536931900)

Protects the rear of the car from scratches when you're loading the vehicle – and prevents dirt from the car from getting onto your clothes. Practical design – can be connected to shallow boot tub or reversible mat.

RRP £40.50 (incl. VAT)





> View offers



Book a > AMG Line
test drive > AMG



> Find a Retailer



> View the Range Guide

03 | Shallow boot tub (A2578140100)

The boot tub is suitable for transporting shopping. The tub shape with its slightly raised edge is precision-tailored to the load area. Made from impact-resistant, non-slip polypropylene, its structured surface holds the separately available stowage crate in place. Deep boot tub also available.

RRP from £95.40 (incl. VAT)

04 | Stowage crate (A0008140041)

A secure hold for items which are prone to tip over or slide around, e.g. shopping bags. Adjustable partitioning elements allow crate to be divided into max. four sections. Optimum functionality only in conjunction with shallow boot tub.

RRP £87.50 (incl. VAT)



03

04



> View offers



Book a > AMG Line
test drive > AMG



> Find a Retailer



> View the Range Guide

Colours, trim and upholstery





> View offers



Book a > AMG Line
test drive > AMG



> Find a Retailer

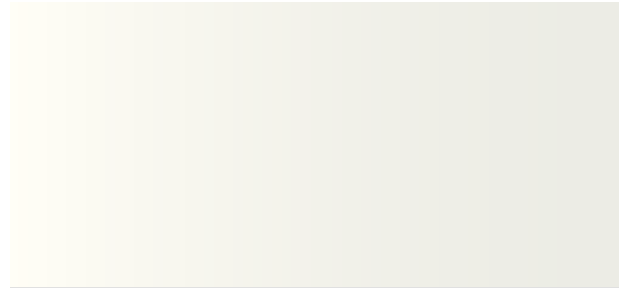


> View the Range Guide

Non-metallic paints (standard)



040U black



149U polar white



> View offers



Book a > AMG Line
test drive > AMG



> Find a Retailer



> View the Range Guide

Metallic paints (additional-cost option¹)



197U obsidian black



775U iridium silver



831U graphite grey



890U cavansite blue



992U selenite grey

¹Please refer to Optional Equipment section (page 26) for pricing and availability

Please note that, owing to limitations of on-screen representation, paint colours may differ from those shown



> View offers



Book a > AMG Line
test drive > AMG



> Find a Retailer



> View the Range Guide

designo paints (additional-cost option¹)



799U designo diamond white



996U designo hyacinth red

¹Please refer to Optional Equipment section (page 26) for pricing and availability

Please note that, owing to limitations of on-screen representation, paint colours may differ from those shown



> View offers



Book a > AMG Line
test drive > AMG



> Find a Retailer



> View the Range Guide

Trim





> View offers



Book a > AMG Line
test drive > AMG



> Find a Retailer



> View the Range Guide

Leather¹ (standard on AMG Line)



211A black (optional Premium Plus equipment line shown)

37



205A beige (no-cost option) - round steering wheel replaces steering wheel with flattened bottom section



L5C steering wheel with flattened bottom section



L3B round steering wheel (only with 205A beige leather)

¹At least 80% of the seat upholstery is pure leather, while up to 20% may consist of man-made leather



> View offers



Book a > AMG Line
test drive > AMG



> Find a Retailer



> View the Range Guide

Nappa leather¹ (in conjunction with Comfort package)



801A black (optional Premium Plus equipment line and Comfort package shown)



805A beige (no-cost option) – round steering wheel replaces steering wheel with flattened bottom section

¹100% of seat upholstery is pure leather



> View offers



Book a > AMG Line
test drive > AMG



> Find a Retailer



> View the Range Guide

Nappa leather¹ (standard on Mercedes-AMG CLS 53 4MATIC+)



871A black with red contrast topstitching



875A macchiato beige/magma grey



877A bengal red/black

¹100% of seat upholstery is pure leather

[View offers](#)[Book a test drive](#) [AMG Line](#) [AMG](#)[Find a Retailer](#)[View the Range Guide](#)

Trim and upholstery combinations

	AMG Line Leather ¹ /nappa leather ²		Mercedes-AMG CLS 53 4MATIC+ Nappa leather ²		
	black (211A/801A)	beige (205A/805A)	black (871A)	beige (875A)	bengal red (877A)
Dashboard					
Steering wheel	black	beige	black	beige	bengal red
Upper dashboard trim	black	beige	black	beige	bengal red
Centre dashboard trim	black	beige	black	beige	bengal red
Lower dashboard trim	black	beige	black	beige	bengal red
Seats					
Seat cushion centre section	black	beige	black	beige	bengal red
Side bolster trim	black	beige	black	beige	bengal red
Head restraint	black	beige	black	beige	bengal red
Contrast stitching	black	beige	black	beige	bengal red
Seat belt	black	beige	black	beige	bengal red
Doors					
Door trim at beltline	black	beige	black	beige	bengal red
Door centre panel	black	beige	black	beige	bengal red
Lower door trim	black	beige	black	beige	bengal red
Roof lining	black	beige	black	beige	bengal red
Parcel shelf	black	beige	black	beige	bengal red
Floor covering					
Front and rear	black	beige	black	beige	bengal red
Boot	black	beige	black	beige	bengal red

¹At least 80% of the seat upholstery is pure leather, while up to 20% may consist of man-made leather ²100% of seat upholstery is pure leather



> View offers



Book a > AMG Line
test drive > AMG

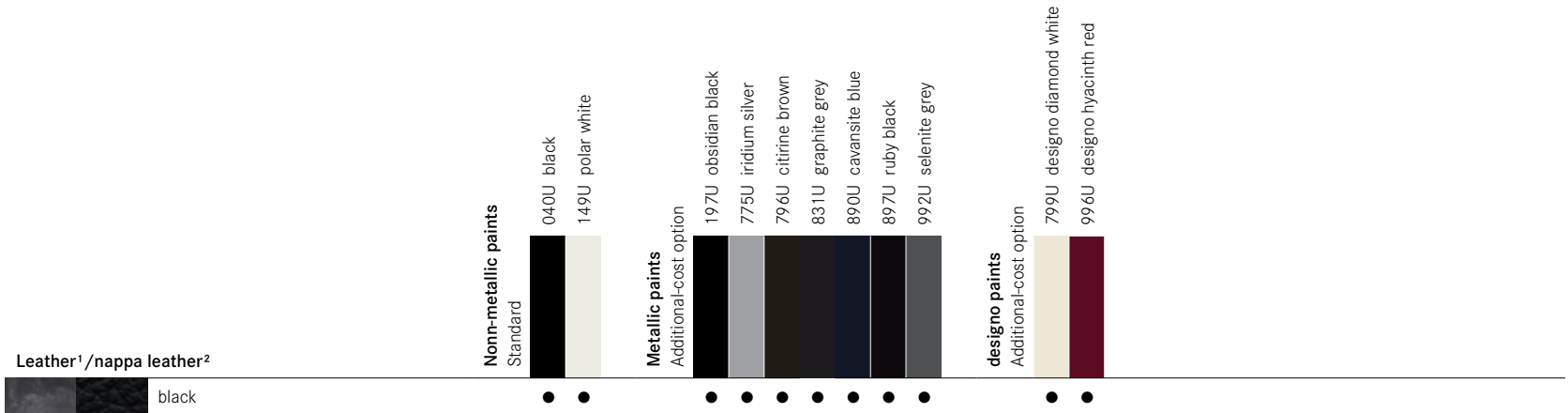


> Find a Retailer



> View the Range Guide

Combination options



● Recommended ○ Possible △ Not recommended ¹At least 80% of the seat upholstery is pure leather, while up to 20% may consist of man-made leather ²100% of seat upholstery is pure leather
Please note that, owing to limitations of on-screen representation, paint colours may differ from those shown

[View offers](#)[Book a test drive](#) [AMG Line](#) [AMG](#)[Find a Retailer](#)[View the Range Guide](#)

Technical data

Model	Diesel engines			Petrol engines			
	CLS 300 d	CLS 350 d 4MATIC	CLS 400 d 4MATIC	CLS 350	CLS 450 4MATIC	Mercedes-AMG CLS 53 4MATIC+	
Engine							
Total displacement	cc	1,950	2,925	2,925	1,991	2,999	2,999
Arrangement/cylinders/valves		in-line/4/16	in-line/6/24	in-line/6/24	in-line/4/16	in-line/6/24	in-line/6/24
Fuel delivery		Common-rail diesel with turbocharger	Common-rail diesel with turbocharger	Common-rail diesel with turbocharger	Electronically controlled direct injection with turbocharger	Electronically controlled direct injection with turbocharger	Electronically controlled direct injection with turbocharger
Power ¹	hp (kW) at rpm						
Combustion engine		245 (180)/4,200	286 (210)/4,600	340 (250)/4,400	299 (220)/5,800–6,100	367 (270)/5,500–6,100	435 (320)/6,100
EQ Boost		–	–	–	14 (10)/900	22 (16)/900	22 (16)
Torque ¹	Nm at rpm						
Combustion engine		500/1,600–1,400	600/1,200–3,200	700/1,200–3,200	400/3,000–4,000	500/1,600–4,000	520/1,800–5,800
EQ Boost		–	–	–	150/100	250/500	250/500
Compression ratio		15.5:1	15.5:1	15.5:1	10.0:1	10.5:1	10.5:1
Transmission							
9G-TRONIC PLUS 9-speed automatic		●	●	●	●	●	–
AMG SPEEDSHIFT TCT 9-speed transmission		–	–	–	–	–	●

[View offers](#)[Book a test drive](#) [AMG Line](#) [AMG](#)[Find a Retailer](#)[View the Range Guide](#)

Model	Diesel engines			Petrol engines		
	CLS 300 d	CLS 350 d 4MATIC	CLS 400 d 4MATIC	CLS 350	CLS 450 4MATIC	Mercedes-AMG CLS 53 4MATIC+

Performance

Acceleration 0-62 mph	sec	6.4	5.7	5.0	6.0	4.8	4.5
Top speed	mph	155 ²	155 ²	155 ²	155 ²	155 ²	155 ²

Weights and capacities

Kerb weight ³	kg	1,825	1,935	1,935	1,775	1,940	1,980
Perm. Gross Vehicle Weight	kg	2,445	2,545	2,545	2,420	2,585	2,550
Boot capacity	l	520	520	520	490	490	490
Towing capacity – unbraked	kg	750	750	750	750	750	750
braked		1,900	1,900	1,900	1,900	1,900	1,900
Fuel tank capacity/of which reserve	l	66/7	66/7	66/7	80/10	80/10	66/7
Turning circle	m	11.60	11.90	11.90	11.60	11.90	11.90

²Electronically limited³Figures according to Directive 92/21/EC (kerb weight with fuel tank 90% full, driver, 68 kg, and luggage, 7 kg) for standard-specification vehicles. Optional extras and accessories will generally increase this figure and reduce the payload capacity accordingly



Model	Diesel engines			Petrol engines		
	CLS 300 d	CLS 350 d 4MATIC	CLS 400 d 4MATIC	CLS 350	CLS 450 4MATIC	Mercedes-AMG CLS 53 4MATIC+

Fuel consumption^{4,5,6}

Combined (consumption dependent on chosen optional equipment)	l/100 km mpg	6.2–7.0 45.6–40.4	6.8–7.5 41.5–37.7	6.8–7.5 41.5–37.7	7.8–8.8 36.2–32.1	8.3–9.1 34.0–31.0	9.1–9.4 31.0–30.1
---	-----------------	----------------------	----------------------	----------------------	----------------------	----------------------	----------------------

CO₂ emissions^{5,6,*}

g/km

Emissions standard	EU6	EU6	EU6	EU6	EU6	EU6
19" alloy wheels – code RRE	142	158	158	163	187	–
19" alloy wheels – code RRF	–	–	–	–	–	199
20" alloy wheels – code RVO	142	158	158	163	187	–
20" alloy wheels – code RTY	–	–	–	–	–	202
20" alloy wheels – code RTZ	–	–	–	–	–	202

Insurance

Group rating	tba	49E	50E	tba	50E	50E
Incl. Premium Plus equipment line	tba	49E	50E	tba	50E	50E

Insurance ratings may vary depending on model line and specification. Please refer to <http://www.thatcham.org/abigrouprating/> for further details

⁴All figures are based on a standard specification with the smallest tyre size ⁵The choice of wheels and transmission may affect CO₂ emissions and corresponding Road Fund Licence

⁶The indicated values were determined according to the prescribed measurement method – Worldwide Harmonised Light Vehicle Test Procedure (WLTP). Figures shown may include options which are not available in the UK.

For Battery Electric Vehicles (BEV), figures determined with battery fully charged. These models require mains electricity for charging

*CO₂ figures have been converted into NEDC-equivalent values for use with the current VED and BIK tax legislation.

Figures shown are for comparability purposes; only compare with other cars tested to the same technical procedures. Figures may not reflect real life driving results, which will depend upon a number of factors including the starting charge of the battery, factory-fitted options, accessories fitted (post registration), variations in weather, driving styles and vehicle load. Further information about the test used to establish fuel consumption and CO₂ figures can be found at <http://www.mercedes-benz.co.uk/WLTP>



> View offers



Book a > AMG Line
test drive > AMG

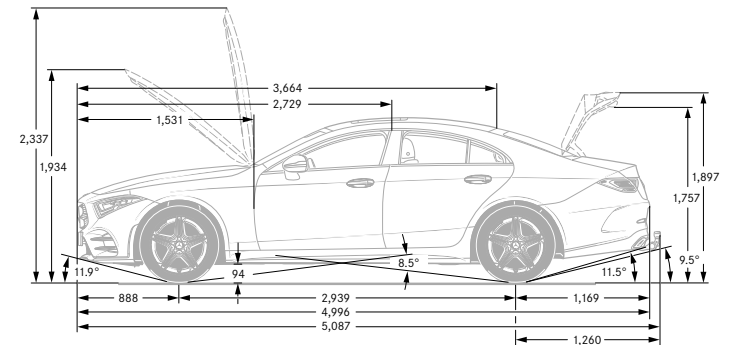
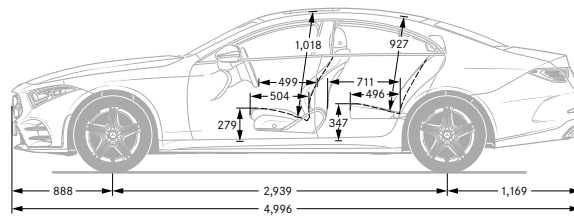
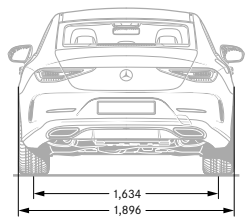
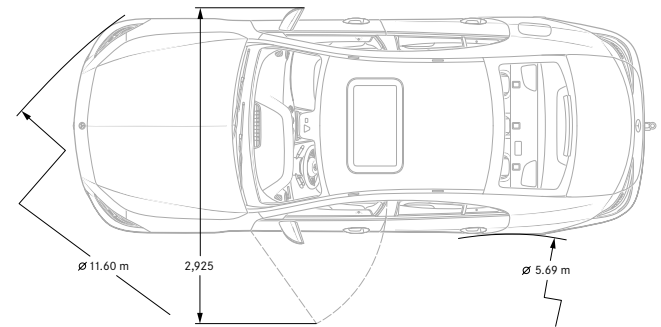
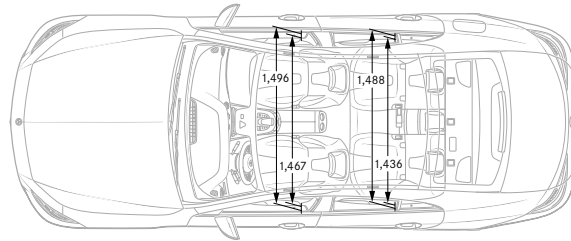
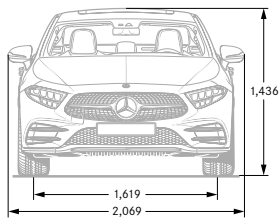


> Find a Retailer



> View the Range Guide

CLS AMG Line



All measurements in millimetres. The dimensions shown are mean values and apply to standard-specification, unladen vehicles. The figures on pages 42-45 are correct at time of publication.



> View offers



Book a > AMG Line
test drive > AMG



> Find a Retailer



> View the Range Guide

Road Fund Licence



All road vehicle registrations are subject to Vehicle Excise Duty (Road Fund Licence), which varies in accordance with the vehicle's CO₂ emissions. A first year rate for each taxation band will apply. The table below shows the bands (A–M) created by the DVLA and the corresponding Road Fund Licence. CO₂ emissions are listed in the technical data on page 44, and the relevant Excise Duty is reflected in the on-the-road prices on page 5.

Band	CO ₂ emissions (g/km)	First year rate petrol (£)	First year rate diesel (£) ¹	First year rate alt. fuel (£)	Standard rate (£)	Premium rate (£) ²
A	0	0.00	0.00	0.00	0.00	310.00
B	1 to 50	10.00	25.00	0.00	140.00	450.00
C	51 to 75	25.00	110.00	15.00	140.00	450.00
D	76 to 90	110.00	130.00	100.00	140.00	450.00
E	91 to 100	130.00	150.00	120.00	140.00	450.00
F	101 to 110	150.00	170.00	140.00	140.00	450.00
G	111 to 130	170.00	210.00	180.00	140.00	450.00
H	131 to 150	210.00	530.00	200.00	140.00	450.00
I	151 to 170	530.00	855.00	520.00	140.00	450.00
J	171 to 190	855.00	1,280.00	845.00	140.00	450.00
K	191 to 225	1,280.00	1,815.00	1,270.00	140.00	450.00
L	226 to 255	1,815.00	2,135.00	1,805.00	140.00	450.00
M	over 255	2,135.00	2,135.00	2,125.00	140.00	450.00

¹Applies to all Mercedes-Benz diesel models which do not comply with Real Driving Emissions step 2 (RDE2)

²Premium rate only applicable to vehicles where the list price is over £40,000 including any factory-fitted options, standard UK delivery charge, number plates, fuel and VAT

Services and insurance

Mercedes-Benz ServiceCare

We believe that servicing costs should be as flexible and affordable as possible for your CLS, which is why we offer ServiceCare, an easy way to budget for all your servicing costs. It spreads your bills into manageable payments based on whether you have a new or used Mercedes-Benz.

With ServiceCare we guarantee the price of parts and labour for up to four services and safeguard against any further inflation. It also covers the cost of all recommended service items including brake fluid, spark plugs, air filters, fuel filters and screen wash.

You can choose either to add your servicing costs into your monthly spend or pay the full amount in a one-off payment, giving you peace of mind that they are taken care of for the period of the plan.

To receive a personalised ServiceCare plan recommendation visit the ServiceCare Calculator at servicecarerates.mercedes-benz.co.uk

Warranty and breakdown cover

Every Mercedes-Benz comes with a three-year unlimited mileage warranty against manufacturing or material defects¹ and up to 30 years warranty against perforation due to corrosion from the inside out.² What's more, it's also covered by Mercedes-Benz Roadside Assistance – a unique package comprising up to 30 years pan-European breakdown assistance.²

Motor Insurance

Superb cover comes as standard. When reviewed by an independent research company, Defaqto, Mercedes-Benz Motor Insurance received a five-star rating, the highest rating available. We design our Motor Insurance specifically for Mercedes-Benz drivers.

For more information or to obtain a quote, click **here**.

Mercedes me connect

Mercedes me connect enables you to connect to your car via desktop, tablet or smartphone via an app. It provides access to services that enhance your Mercedes-Benz experience and fit effortlessly into your daily digital routine.¹

Standard Services.

Available on all models, except G-Class.

- **Emergency Call** – if there's an accident, this feature automatically shares your vehicle location and status for a fast response from the emergency services
- **Accident & Breakdown Management** – contact our Customer Assistance Centre with a single button for fast breakdown recovery
- **Telediagnosics** – automatically detects and shares details of any vehicle wear and tear with you, and shares the data with your Retailer
- **Maintenance Management** – reminds you when your service is due and automatically shares maintenance data with your Retailer
- **Parking Time Assist** – track the time on your parking meter and receive an alert when it's due to expire



Vehicle Setup.

Free of charge for first three years. Extension possible and pricing information available via Mercedes me store

- **Personal Profile** – store your preferences, such as your favourite radio stations and apps, to create your personal driver profile
- **Maintenance (Vehicle Status)** – check safety information, such as coolant level and brake pad condition, so you can be sure your car is safe and ready to drive
- **Remote Door Unlock** – lock and unlock your car remotely, wherever you are in the world
- **Send to Car Function** – search for destinations on your smartphone, tablet or desktop, then send the routes direct to your car for navigation

¹Currently unavailable in the Channel Islands and the Isle of Man



> View offers



Book a > AMG Line
test drive > AMG



> Find a Retailer



> View the Range Guide

Mercedes me connect

49

Mercedes me Vehicle Monitoring package

Free of charge for first three years. Extension possible and pricing information available via Mercedes me store

- **Geofencing** – set up a geographical boundary and receive alerts whenever your car enters or leaves this area.
- **Vehicle Tracker** – track the location of your car anywhere in the world.
- **Parked Vehicle Locator** – locate your parked vehicle within a range of one mile and plot a route back to it.

To find out more about Mercedes me services and applications, visit the Mercedes me connect store <https://shop.mercedes-benz.com/en-gb/connect> or contact your local Retailer.

Mercedes 



Mercedes-Benz Finance

Why should you finance with Mercedes-Benz?

At Mercedes-Benz we believe a great driving experience should be matched by an equally great ownership experience. That is why we put just as much thought, time and effort into designing our finance options, our service plans and our insurance cover as we do into our vehicles.

We are not in the business of simply providing a loan to fund the purchase of your dream vehicle. We look on it as a journey that we take with you, from the moment you choose your new Mercedes-Benz, to helping you in choosing your next one.

If you would like to find out more about any of our current offers, simply call into your local Mercedes-Benz Retailer where one of our Business Managers will be more than happy to talk you through anything you need to know.

Helping you find the right solution.

You should find our finance packages are more convenient than a traditional personal loan because:

- Funds are immediately available – no waiting for cheques or loans to clear.
- There is no security required – either against your home or other assets.
- We have clear and transparent rates – the APR we quote is the APR you get.
- We have friendly Business Managers – experts in vehicle finance who can talk you through all of your plans in detail.

One of our most popular finance products is Mercedes-Benz Agility (our Personal Contract Purchase product). We also offer Contract Hire, Operating Lease and Hire Purchase solutions. If you would like to find out more about these speak to your Retailer or visit www.mercedes-benz.co.uk/fandi.

Mercedes-Benz Agility (our PCP product).

At the start of an Agility agreement, you put down a deposit and decide the term of your agreement and your annual mileage. You will be advised of the Guaranteed Future Value, which offers you the reassurance of knowing exactly what you will need to pay to own the vehicle outright in the future (this is known as the Optional Purchase Payment).

Throughout your agreement you simply pay your agreed monthly payments and when the agreement comes to an end you either purchase, hand back or part-exchange your vehicle.





> View offers



Book a > AMG Line
test drive > AMG



> Find a Retailer



> View the Range Guide

Agility features:

- Fixed regular payments mean you can easily budget.
- Payments are based only on a proportion of the vehicle's value, keeping your monthly payments lower.
- Our Guaranteed Future Value avoids the risk of unplanned depreciation of your vehicle.
- You defer your ownership decision until the end of the agreement.

At the end of your agreement you have three options to choose from.

Option 1: Purchase your Mercedes-Benz.

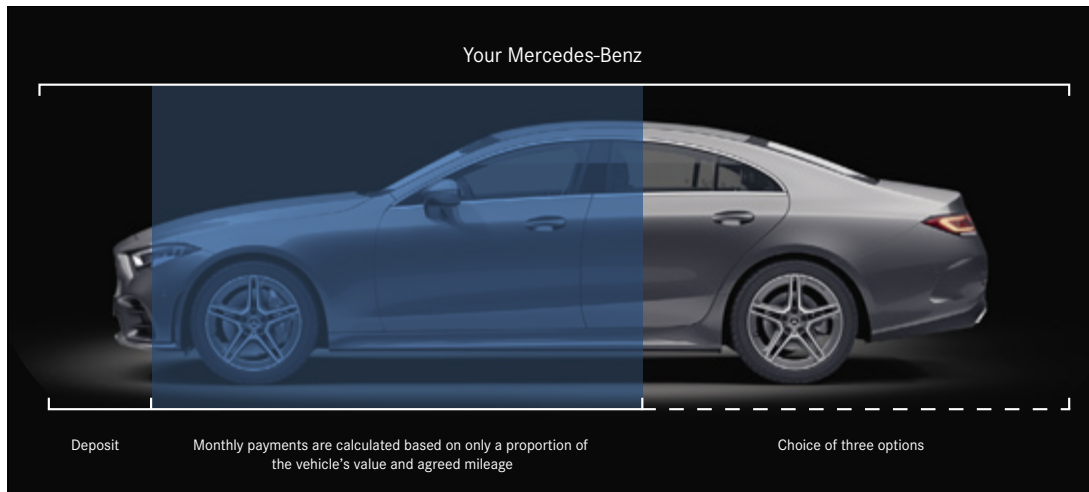
Purchase your Mercedes-Benz by paying the Optional Purchase Payment and Purchase Activation Fee.¹ This will complete the purchase of your Mercedes-Benz, leaving you free to simply enjoy your vehicle.

Option 2: Hand back your Mercedes-Benz.

If you decide to return your vehicle to us, it must be in line with our Vehicle Return Standards,^{*} as vehicle condition, excess mileage and other charges may be payable.

Option 3: Part-Exchange for a new vehicle.

Purchase your Mercedes-Benz by paying the Optional Purchase Payment and Purchase Activation Fee.¹ This will complete the purchase of your Mercedes-Benz, leaving you free to part-exchange for a new vehicle.



¹Please note the 'Purchase Activation Fee' of £10 will be debited from your account *To find out more information about our Vehicle Return Standards please visit <http://mercedes-benz.co.uk/vrs>



> View offers



Book a > AMG Line
test drive > AMG



> Find a Retailer



> View the Range Guide

Follow us on the following social media channels:



facebook.com/mercedesbenzuk



twitter.com/mercedesbenzuk



youtube.com/mercedesbenzuk



instagram.com/mercedesbenzuk

Effective from August 2019 Production. Information correct at time of publication.

Prices and specifications are subject to change without prior notice.

MBC257PL/0719 MY20

Mercedes-Benz Cars UK Limited, Tongwell, Milton Keynes, MK15 8BA. Company number 2448457 www.mercedes-benz.co.uk