



> Book a test drive



> View offers



> Find a Retailer



> View the Range Guide

SL Roadster



Effective from December 2019 Production.

Mercedes-Benz





> Book a test drive



> View offers



> Find a Retailer



> View the Range Guide

Contents

8 SL Grand Edition

11 SL Grand Edition Premium

14 Standard equipment

20 Wheels

21 Night package

22 Driving Assistance package

23 ServiceCare

24 Colours and materials

28 Genuine Accessories

30 Technical data

34 Road Fund Licence

35 Services and insurance

36 Mercedes me

38 Mercedes-Benz Finance



> Book a test drive



> View offers



> Find a Retailer



> View the Range Guide



Some of the model features, optional extras and colours shown may not be available, or may only be available in a different specification.



> Book a test drive



> View offers



> Find a Retailer



> View the Range Guide

4

Rich heritage.

A true icon, refined.



Some of the model features, optional extras and colours shown may not be available, or may only be available in a different specification.



> Book a test drive



> View offers



> Find a Retailer



> View the Range Guide



Some of the model features, optional extras and colours shown may not be available, or may only be available in a different specification.



> Book a test drive



> View offers



> Find a Retailer



> View the Range Guide

6

Perfect duality.

Elegant roadster and dynamic coupé.



Some of the model features, optional extras and colours shown may not be available, or may only be available in a different specification.



> Book a test drive



> View offers



> Find a Retailer



> View the Range Guide



Some of the model features, optional extras and colours shown may not be available, or may only be available in a different specification.



> Book a test drive



> View offers



> Find a Retailer



> View the Range Guide

SL Grand Edition



SL Grand Edition 9G-TRONIC PLUS 9-speed automatic	CO ₂ ^{1,*}	Basic RRP excl. VAT	Total RRP incl. VAT	Road Fund Licence ²	Rec. OTR price ³	P11D value	BiK tax rate 2019/20
SL 400 Petrol – 2,996 cc, 6-cylinder, 367hp/270 kW	197	£64,908.33	£77,890.00	£1,280.00	£79,965.00	£78,630.00	37
SL 500 Petrol – 4,663 cc, 8-cylinder, 455hp/335 kW	230	£72,158.33	£86,590.00	£1,815.00	£89,200.00	£87,330.00	37

¹The indicated values were determined according to the prescribed measurement method – Worldwide Harmonised Light Vehicle Test Procedure (WLTP). Figures shown may include options which are not available in the UK

^{*}CO₂ figures have been converted into NEDC-equivalent values for use with the current VED and BiK tax legislation

Figures shown are for comparability purposes; only compare with other cars tested to the same technical procedures. Figures may not reflect real life driving results, which will depend upon a number of factors including factory-fitted options, accessories fitted (post registration), variations in weather, driving styles and vehicle load. Further information about the test used to establish fuel consumption and CO₂ figures can be found at <http://www.mercedes-benz.co.uk/WLTP>

²A different first year rate of Vehicle Excise Duty (Road Fund Licence) applies for new cars. Please refer to page 34 for the relevant rate for the second and subsequent years

³The recommended on-the-road price includes the Road Fund Licence applicable to the standard model plus delivery charge (£715.00 incl. VAT), new vehicle registration fee (£55.00) and number plates (£25.00 incl. VAT). VAT is calculated at the standard rate of 20%



> Book a test drive



> View offers



> Find a Retailer



> View the Range Guide

Model lines | SL Grand Edition

9





The SL Grand Edition can be tailored to suit you, with numerous exterior and interior colour combinations available, complemented by high levels of standard appointments for an even more luxurious driving experience. The exclusive Roadster features a sporting exterior, with striking 19" AMG alloy wheels in 7-twin-spoke design, AMG bodystyling with an AMG spoiler lip and

lowered sports suspension. Inside, you'll enjoy AMG sports seats with nappa leather upholstery, AIRSCARF neck-level heating system and an electrically-operated wind deflector that guarantees the ultimate roadster driving experience.

Exterior

19" AMG alloy wheels (4) – 7-twin-spoke design, painted high-gloss black with high-sheen finish

AMG bodystyling

AMG spoiler lip

Active Parking Assist with PARKTRONIC and reversing camera

Headlamps – LED Intelligent Light System with Adaptive Highbeam Assist Plus

Panoramic vario-roof with sunblind

Sports suspension, lowered, with stiffened suspension and damper settings

Interior

AMG floor mats

AMG sports seats with nappa leather upholstery

AIRSCARF

Analogue clock

Ambient lighting

Chequered flag-design instrument cluster

Cup holders (2)

Electrically-operated wind deflector

Illuminated door sills

KEYLESS-GO

THERMOTRONIC automatic climate control with two climate zones

Trim and Upholstery

Dark longitudinal-grain aluminium



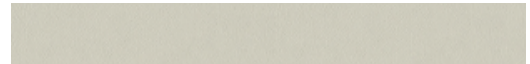
Nappa leather – black



Nappa leather – bengal red



Nappa leather – porcelain/black





> Book a test drive



> View offers



> Find a Retailer



> View the Range Guide

SL Grand Edition Premium



SL Grand Edition Premium 9G-TRONIC PLUS 9-speed automatic	CO ₂ ^{1,*}	Basic RRP excl. VAT	Total RRP incl. VAT	Road Fund Licence ²	Rec. OTR price ³	P11D value	BiK tax rate 2019/20
SL 400 Petrol – 2,996 cc, 6-cylinder, 367hp/270 kW	197	£68,237.50	£81,885.00	£1,280.00	£83,960.00	£82,625.00	37
SL 500 Petrol – 4,663 cc, 8-cylinder, 455hp/335 kW	230	£75,458.50	£90,585.00	£1,815.00	£93,195.00	£91,325.00	37

¹The indicated values were determined according to the prescribed measurement method – Worldwide Harmonised Light Vehicle Test Procedure (WLTP). Figures shown may include options which are not available in the UK

^{*}CO₂ figures have been converted into NEDC-equivalent values for use with the current VED and BiK tax legislation

Figures shown are for comparability purposes; only compare with other cars tested to the same technical procedures. Figures may not reflect real life driving results, which will depend upon a number of factors including factory-fitted options, accessories fitted (post registration), variations in weather, driving styles and vehicle load. Further information about the test used to establish fuel consumption and CO₂ figures can be found at <http://www.mercedes-benz.co.uk/WLTP>

²A different first year rate of Vehicle Excise Duty (Road Fund Licence) applies for new cars. Please refer to page 34 for the relevant rate for the second and subsequent years

³The recommended on-the-road price includes the Road Fund Licence applicable to the standard model plus delivery charge (£715.00 incl. VAT), new vehicle registration fee (£55.00) and number plates (£25.00 incl. VAT). VAT is calculated at the standard rate of 20%



> Book a test drive



> View offers



> Find a Retailer



> View the Range Guide



Active Multi-Contour Seat package



Comfort-ventilated seats



Closing aid for doors



True to its name, the SL Grand Edition Premium provides a range of comfort and convenience features to make your SL truly special. Comfort-ventilated, active multi-contour seats with massage function provide a premium driving

experience, further enhanced by the Harman Kardon® Logic 7® surround sound system. The Grand Edition Premium also adds to the luxurious feel of the SL, with the closing aid for doors providing that final touch of finesse.

In addition/replacement to SL Grand Edition:

Interior

Active Multi-Contour Seat package with massage function

Thanks to their inflatable air chambers, the active multicontour seats with massage function and dynamic function ensure optimum seating comfort and excellent lateral support. The seats can be individually adjusted via various air chambers – from the seat cushion length to the side bolsters, to the position and extent of the backrest curvature. A lumbar adjustment feature provides added support for the spine

Closing aid for doors

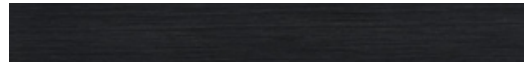
Comfort-ventilated seats

Harman Kardon® Logic 7® surround sound system

Carefully coordinated technical components with a total output of 600 watts and 11 high-performance loudspeakers ensure an unmistakably authentic soundscape. Passengers in all seats enjoy a thrilling 360-degree sound experience both with stereo and with 5.1 multi-channel recordings

Trim and Upholstery

Dark longitudinal-grain aluminium



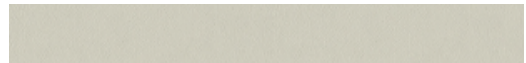
Nappa leather – black



Nappa leather – bengal red



Nappa leather – porcelain/black





> Book a test drive



> View offers



> Find a Retailer



> View the Range Guide

Standard equipment



AIRSCARF



Eight speakers with Frontbass



DYNAMIC SELECT with a choice of driving modes



LED Intelligent Light System with Adaptive Highbeam Assist Plus



Memory package



THERMOTRONIC automatic climate control



Item	SL Grand Edition Premium	
	SL Grand Edition	SL Grand Edition Premium
Transmission and Suspension		
9G-TRONIC PLUS 9-speed automatic transmission with cruise control, variable speed limiter and steering wheel gearshift paddles	●	●
DYNAMIC SELECT with a choice of driving modes: Comfort, Eco, Sport, Sport+ and Individual	●	●
ECO start/stop function	●	●
Suspension – sports suspension with Adaptive Damping System, lowered by 10 mm	●	●

Item	SL Grand Edition Premium	
	SL Grand Edition	SL Grand Edition Premium
Exterior		
Mirror package – projection of Mercedes-Benz logo integrated into both mirrors, electrically folding, automatically dimming exterior driver's mirror and rear view mirror	●	●
19" AMG alloy wheels (4) – 7-twin-spoke design, painted high-gloss black with high-shine finish front 255/35 tyres; rear 285/30 tyres	●	●
Active Parking Assist with PARKTRONIC PARKTRONIC monitors the front and rear end while the driver is manoeuvring the vehicle and gives a warning if the risk of a collision is detected. Active Parking Assist makes it easier to find a parking space and also automatically steers the vehicle into parking spaces	●	●
AMG bodystyling Consisting of front apron in A-wing design, cooling air openings and front splitter in vehicle colour (in high-gloss chrome for designo Edition), diamond radiator grille in chrome, louvre in matt iridium silver and insert in high-gloss chrome, AMG-specific side sill panels, fins on front wings and bonnet in high-gloss chrome, AMG-specific rear apron with diffuser look in vehicle colour and side air outlets, insert in high-gloss black	●	●
AMG boot lid spoiler	●	●
Closing aid for doors	–	●
Fuel tank – 75-litre	●	●



Item	SL Grand Edition	SL Grand Edition Premium
	●	●
Headlamps – LED Intelligent Light System with Adaptive Highbeam Assist Plus <ul style="list-style-type: none"> – LED headlamps, highbeam and direction indicator – LED position light, cornering light and daytime running lamps – Dynamic headlamp range adjustment for ideal visibility in all weather, lighting and driving conditions – Variable light distribution for driving on country roads and motorways as well as in heavy fog – Active light function allows headlamps to pivot into bends by up to 15° to illuminate road surface more effectively, improving visibility – Cornering light function: two LEDs per headlamp improve road illumination in tight bends by automatically switching on cornering light on the relevant side – Enhanced fog lamp function illuminates outer half of the carriageway more effectively while reducing glare due to light reflected by fog. Can be activated at speeds below 44 mph and remains switched on up to 62 mph – Welcome home function lights up LED fibre optics in the headlamps in blue after unlocking the vehicle, transitioning to white locator lighting 	●	●
MAGIC VISION CONTROL Allows the driver the best possible visibility even during the wiping process. Washer fluid is sprayed directly in front of the wiper blades and wiped away without delay. A heating system effectively lowers the risk of icing up	●	●
Panoramic vario-roof with sunblind – operable up to 25 mph	●	●
Petrol Particulate Filter	●	●
Reversing camera	●	●
Tinted glass – green	●	●

Item	SL Grand Edition	SL Grand Edition Premium
	●	●
Interior		
Memory package Front seats with four-way lumbar support, steering column and exterior door mirrors – electrically adjustable with memory	●	●
AIRSCARF – neck-level heating Through air outlets in the head restraints, pleasantly warm air is ‘wrapped’ around the necks of the driver and passenger like an invisible scarf. The desired temperature can be set in three stages	●	●
Analogue clock	●	●
Ambient lighting LED lighting located in the centre console, armrest and footwell. Offers a choice of three colours: solar red, polar blue and polar white. The lighting can be dimmed to suit personal tastes	●	●
Automatic boot separator Electrically lowers the boot separator into position, meaning that manual closing is unnecessary. Returns to the upper position when luggage compartment flap is opened	●	●
Cup holders (2)	●	●
Door sill panels – brushed stainless steel, illuminated in white, with ‘Mercedes-Benz’ lettering	●	●
Floor mats – AMG floor mats	●	●
Instrument cluster – with chequered-flag design	●	●
Seats – heated	●	–
Seats – comfort-ventilated	–	●



Item	SL Grand Edition	Premium
Interior (continued)		
Seats – Active Multi-Contour Seat package with massage function Thanks to their inflatable air chambers, the active multicontour seats with massage function and dynamic function ensure optimum seating comfort and excellent lateral support. The seats can be individually adjusted via various air chambers – from the seat cushion length to the side bolsters, to the position and extent of the backrest curvature. A lumbar adjustment feature provides added support for the spine	–	●
Service indicator ASSYST	●	●
THERMOTRONIC automatic climate control with two climate zones	●	●
Electrically-operated wind deflector	●	●
Steering		
Direct-Steer system with speed-dependent servo assistance and variable steering ratio	●	●
Steering wheel – 3-spoke multifunction sports steering wheel with flattened bottom section, 12 buttons and silver gearshift paddles, trimmed in nappa leather with perforated grip areas	●	●
Paint, Trim and Upholstery		
Paint – metallic	●	●
Roof lining – black fabric	●	●
Trim – dark longitudinal-grain aluminium	●	●
Upholstery – sun-reflecting nappa leather, perforated	●	●

Item	SL Grand Edition	Premium
Security and Safety		
Active bonnet – pedestrian safety measure	●	●
ACTIVE BRAKE ASSIST Gives the driver a visual and audible warning if the set safety distance from a vehicle ahead or a stationary obstacle narrows; an autonomous braking function can give the driver a haptic warning by initiating braking	●	●
Airbags – dual-stage, driver and passenger	●	●
Airbags – head and sidebags, driver and passenger	●	●
Alarm system with immobiliser and interior protection (MBSS3)	●	●
ATTENTION ASSIST Continuously analyses driver behaviour and steering movements. If patterns are recognised which characterise drowsiness, the driver is prompted to take a break, and an audible warning is sounded. COMAND Online ¹ offers to search for a rest stop	●	●
Automatic front passenger airbag deactivation	●	●
Braking – adaptive brake lamps	●	●
Braking – ADAPTIVE BRAKE system with HOLD function	●	●
Braking – anti-lock braking system (ABS) with Brake Assist (BAS)	●	●
Braking – brake calipers, painted grey with ‘Mercedes-Benz’ lettering	●	●
Electronic Stability Programme (ESP®)	●	●
ESP® Curve Dynamic Assist Especially when accelerating on bends, the ESP®-based system ensures more stability and handling safety. When the ESP® sensors register a tendency to understeer on bends, this can be reduced by specific braking intervention at the inside wheels	●	●



Item	SL Grand Edition	Premium
	SL Grand Edition	Premium
Security and Safety (continued)		
First-aid kit and warning triangle	●	●
Headlamp Assist – automatic headlamp activation	●	●
Heated rear window with timer control	●	●
NECK-PRO active head restraints In a rear-end collision, the crash-responsive head restraints can be pushed forward by around 40 mm and upwards by around 30 mm. This enables the head to be supported at an earlier stage and the risk of whiplash injury to be reduced	●	●
Parking – electric parking brake	●	●
PRE-SAFE® system with reversible seat belt tensioners for driver and passenger seats, closing function for side windows and automatic positioning of passenger seat	●	●
Rain-sensing windscreen wipers	●	●
Remote central locking	●	●
Roll-over bars with crash sensor, automatically raising	●	●
Seat belt pre-tensioners	●	●
Tyres – TIREFIT tyre-sealant kit	●	●
Tyres – tyre pressure monitoring system	●	●

Item	SL Grand Edition	Premium
	SL Grand Edition	Premium
Communications and In-Car Entertainment		
Bluetooth® interface for hands-free telephony	●	●
Central controller dial to operate audio functions and telephone (when connected)	●	●
COMAND Online system ¹ Includes digital radio, single CD/DVD, 7-inch colour display, hard disk drive (HDD) navigation with 3D map display, Live Traffic Information and European map data updates free of charge for the first three years, Speed Limit Assist and LINGUATRONIC voice control. Internet-enabled mobile phone required for Mercedes-Benz emergency call system (eCall), Mercedes-Benz apps and in-car internet access for Facebook, internet radio, sending routes from Google Maps™ to the vehicle, news and weather reports. Also includes SD memory card slot and MP3 compatibility	●	●
DAB digital radio tuner	●	●
Eight speakers with Frontbass	●	–
Harman Kardon® Logic 7® surround sound system Carefully coordinated technical components with a total output of 600 watts and 11 high-performance loudspeakers ensure an unmistakably authentic soundscape. Passengers in all seats enjoy a thrilling 360-degree sound experience both with stereo and with 5.1 multi-channel recordings	–	●
Smartphone integration – comprising Apple CarPlay™ Compatible iPhones (iPhone 5 and newer) can be integrated into the vehicle via Apple CarPlay™. Please check on www.apple.com/uk/ios/carplay/ for compatibility and approved apps. Certain features and apps require a 3G or 4G data connection. Control of features available through voice control and controller on centre console	●	●

¹COMAND Online functionality and Wi-Fi connectivity is dependent on a compatible cellular data connection. Please check with your local Mercedes-Benz Retailer on network compatibility



> Book a test drive



> View offers



> Find a Retailer



> View the Range Guide

19



Panoramic vario-roof

The SL combines the unique driving pleasure of a roadster with the everyday practicality and high acoustic comfort of a coupé. To open or close the

folding vario-roof in less than 20 seconds, just push a button. The process can be completed up to a speed of 25 mph.



> Book a test drive



> View offers



> Find a Retailer



> View the Range Guide

Wheels



662 19" AMG alloy wheels (4) – 7-twin-spoke design, painted high-gloss black with high-shine finish
front 255/35 tyres; rear 285/30 tyres

SL (all models)

standard



606 19" AMG alloy wheels (4) – multi-spoke design, painted bi-colour high-gloss black with high-shine finish
front 255/35 tyres; rear 285/30 tyres

SL (all models)

included in Night package



> Book a test drive



> View offers



> Find a Retailer



> View the Range Guide

Night package

With striking design elements in black, the Night package underscores the sporty and expressive character of the new SL. The package comprises 19" AMG alloy wheels painted in high-gloss black, with exterior mirror housings, front splitter and rear apron diffuser insert also in high-gloss black.

Night package (code P60)

19" AMG alloy wheels (4) – multi-spoke design, painted bi-colour high-gloss black with high-shine finish (code 606)

Exterior mirror housings in high-gloss black

Night package – designed and priced as a package, including items listed below.

All models

Total incl. VAT £1,695.00

Front splitter in high-gloss black

Rear apron diffuser insert in high-gloss black





> Book a test drive



> View offers



> Find a Retailer



> View the Range Guide

Driving Assistance package

The Driving Assistance package contains a range of highly intelligent features to help you stay safe on the road – by making the drive more effortless, by warning of danger, and by taking steps to protect you in an emergency.

Driving Assistance package – designed and priced as a package, including items listed below.

All models

Total incl. VAT £1,695.00

Driving Assistance package (code 23P)

Active Blind Spot Assist

Displays a red triangle in the exterior mirrors. When a road user is detected in the blind spot, the red triangle flashes and an audible warning sounds if the driver operates the indicators. Includes course-correcting braking intervention

Active Lane Keeping Assist

Detects signs of inadvertent drifting out of lane and warns the driver by vibrating the steering wheel and, if necessary, triggers one-sided braking intervention

BAS PLUS

Can lower the risk of rear-end collisions and support the driver during emergency braking by providing additional brake pressure

Distance Pilot DISTRONIC

Helps the driver to maintain a safe distance to the vehicle in front and so relieves the strain on the driver, especially on long journeys or in a traffic jam

PRE-SAFE® Brake

Warns the driver if it detects that a rear-end collision is imminent and, if there is no reaction, can take autonomous action to reduce the speed – even to the extent of full brake application





ServiceCare

Item	Notes				Basic RRP excl. VAT (£)	Total RRP incl. VAT (£)
Service Package		SL Grand Edition	SL Grand Edition	Premium		
ServiceCare ServiceCare allows you to spread the cost of servicing your new car in the Mercedes-Benz Retailer network. Taking out a ServiceCare plan ensures your servicing needs are taken care of by fully trained Mercedes-Benz Technicians with the added benefit of a Mercedes-Benz service history	Price is based on a monthly rate. Example given is for two services taken over 24 months; three services over 36 months; or four services over 48 months. Further payment options are available. New ServiceCare prices apply only to vehicles up to 12 months old prior to first service	1	●	●	27.50	33.00



> Book a test drive



> View offers



> Find a Retailer



> View the Range Guide

Colours, trim and upholstery

24





> Book a test drive



> View offers

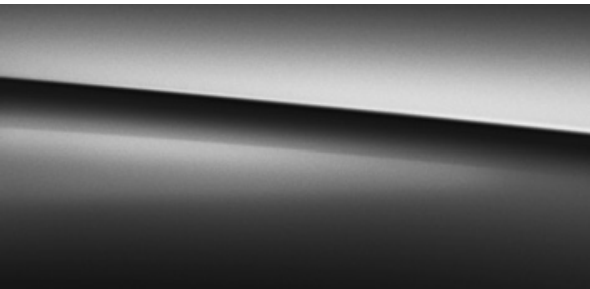


> Find a Retailer



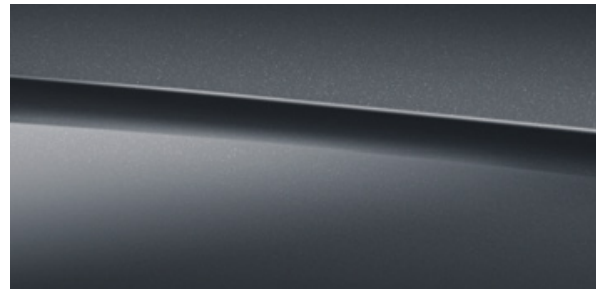
> View the Range Guide

Non-metallic and metallic paints



197 obsidian black

standard



831 graphite grey

no-cost option



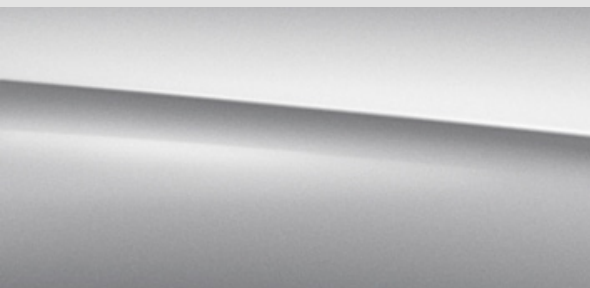
149 polar white (non-metallic)

no-cost option



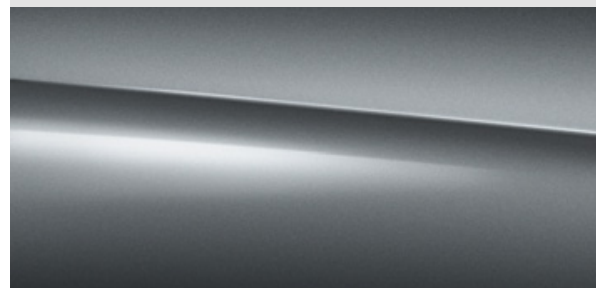
896 brilliant blue

no-cost option



775 iridium silver

no-cost option



992 selenite grey

no-cost option

designo metallic paints

An extra degree of exclusivity is guaranteed with designo's range of paint finishes, which are all available at additional cost.



799 diamond white¹

£595.00



996 hyacinth red

£595.00

¹Please check with your Retailer for availability Please note that, owing to limitations of on-screen representation, paint colours may differ from those shown



> Book a test drive



> View offers



> Find a Retailer



> View the Range Guide

Trim

Mercedes-Benz





> Book a test drive



> View offers



> Find a Retailer



> View the Range Guide

Nappa leather¹ upholstery



801 black

standard



807 bengal red

no-cost option



815 porcelain/black

no-cost option

¹100% of seat upholstery is pure leather



> Book a test drive



> View offers



> Find a Retailer



> View the Range Guide

28

Genuine Accessories

We've developed a range of Accessories you can add to help personalise and enhance your SL. Your local Mercedes-Benz Retailer can advise on fitting costs of Accessories, where applicable. Further information on our full range of Genuine Accessories can be found **here** on the Mercedes-Benz UK website.

01 | Shallow boot tub (A2318140041)

The boot tub is suitable for transporting shopping. The tub shape with its slightly raised edge is precision-tailored to the load area. Made from impact-resistant, non-split polypropylene.

RRP £88.50 (incl. VAT)

02 | Concertina load sill protector (A2536931900)

Protects the rear of the car from scratches when you're loading the vehicle – and prevents dirt from the car from getting onto your clothes. Practical design – can be connected to shallow boot tub or reversible mat.

RRP £40.50 (incl. VAT)





Trim and upholstery combinations

	Nappa leather ¹		
	black (801)	bengal red (807)	porcelain grey/black (815)
Dashboard			
Steering wheel	black	black	black
Upper dashboard trim	black	black	black
Lower dashboard trim	black	bengal red	porcelain grey
Seats			
Seat cushion centre section	black	bengal red	porcelain grey
Side bolster trim	black	bengal red	porcelain grey
Head restraint	black	bengal red	porcelain grey
Doors			
Door centre panel	black	bengal red	porcelain grey
Door trim at beltline	black	black	black
Roof lining	grey/black	black	grey
Parcel shelf	black	black	black
Floor covering			
Front and rear	black	black	black
Boot	black	black	black

¹100% of seat upholstery is pure leather



Technical data

		Petrol engines	
Model		SL 400	SL 500
Engine			
Total displacement	cc	2,996	4,663
Arrangement/cylinders/valves		V/6/24	V/8/32
Power ¹	hp (kW) at rpm	367 (270)/5,500–6,000	455 (335)/5,250
Torque ¹	Nm at rpm	500/2,000–4,200	700/1,800–3,500
Compression ratio		10.5:1	10.5:1
Transmission			
9G-TRONIC PLUS 9-speed automatic		●	●
Tyres sizes			
Front		255/35 R 19	255/35 R 19
Rear		285/30 R 19	285/30 R 19



		Petrol engines	
Model		SL 400	SL 500
Performance			
Acceleration 0–62 mph	sec	4.9	4.3
Top speed	mph	155 ²	155 ²
Weights and capacities			
Kerb weight ³	kg	1,735	1,815
Perm. Gross Vehicle Weight	kg	2,115	2,175
Boot capacity with roof closed		485	485
with roof open	l	364	364
Fuel tank capacity/of which reserve	l	75/14	75/14
Turning circle	m	11.04	11.04
Fuel consumption^{4,5,6}			
Combined (consumption dependent on chosen optional equipment)	l/100 km	9.8–9.5	10.7–10.3
	mpg	28.8–29.7	26.4–27.4

²Electronically limited³Mass of the vehicle in running order with at least 90% full fuel tank, plus the mass of the driver (estimated by law at 75 kg), fuel and fluids, equipped with the standard equipment as specified by the manufacturer as well as, where applicable, the mass of the body, cab, trailer coupling and spare wheel(s) as well as tools. Optional extras, additional equipment and accessories can influence the weight, residual payload, rolling resistance, aerodynamics, etc., and therefore also affect the consumption/CO₂ values⁴All figures are based on a standard specification with the smallest tyre size ⁵The choice of wheels may affect CO₂ emissions and corresponding Road Fund Licence⁶The indicated values were determined according to the prescribed measurement method – Worldwide Harmonised Light Vehicle Test Procedure (WLTP). Figures shown may include options which are not available in the UKFigures shown are for comparability purposes; only compare with other cars tested to the same technical procedures. Figures may not reflect real life driving results, which will depend upon a number of factors including factory-fitted options, accessories fitted (post registration), variations in weather, driving styles and vehicle load. Further information about the test used to establish fuel consumption and CO₂ figures can be found at <http://www.mercedes-benz.co.uk/WLTP>



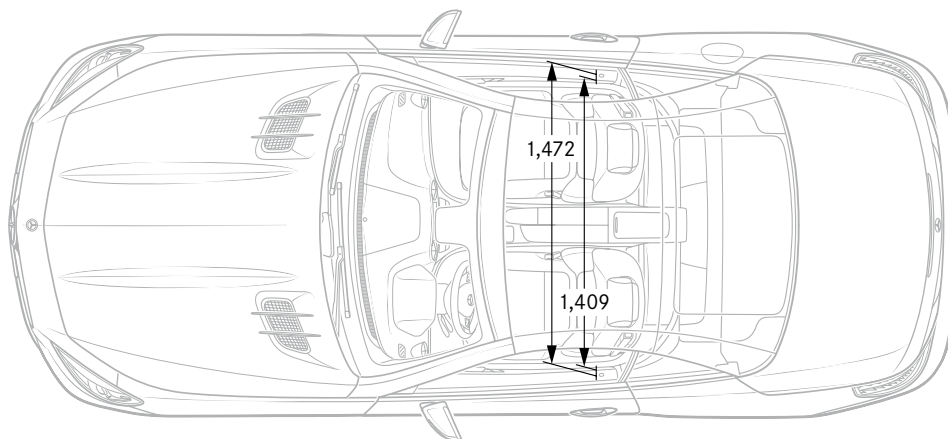
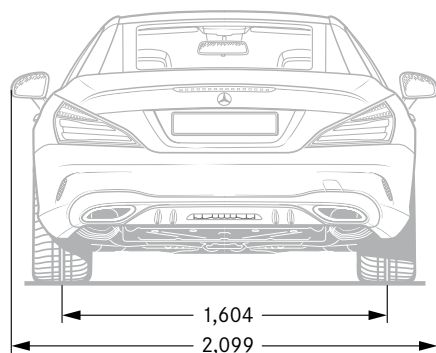
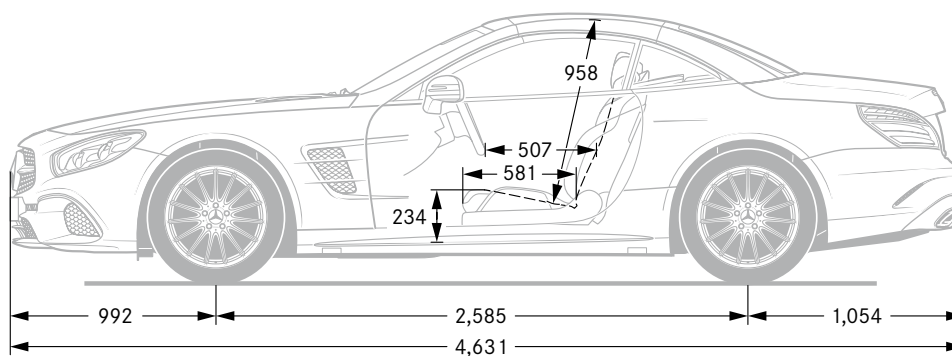
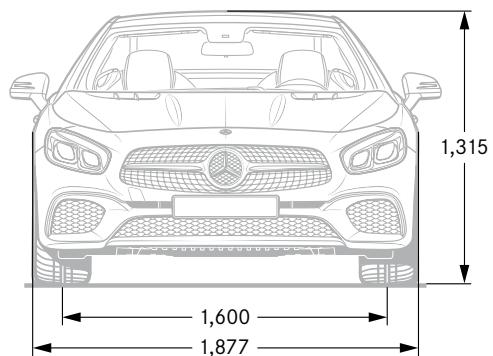
Model	Petrol engines	
	SL 400	SL 500
CO₂ emissions^{5,6,*}	g/km	
Emissions standard	Euro 6d-TEMP-EVAP-ISC	Euro 6d-TEMP-EVAP-ISC
19" alloy wheels (285/30 tyres)	197	230
Insurance		
Group rating	50A	50A
Insurance ratings may vary depending on model line and specification. Please refer to http://www.thatcham.org/abigrouprating/ for further details		

⁵The choice of wheels may affect CO₂ emissions and corresponding Road Fund Licence

⁶The indicated values were determined according to the prescribed measurement method - Worldwide Harmonised Light Vehicle Test Procedure (WLTP). Figures shown may include options which are not available in the UK

*CO₂ figures have been converted into NEDC-equivalent values for use with the current VED and BIK tax legislation

Figures shown are for comparability purposes; only compare with other cars tested to the same technical procedures. Figures may not reflect real life driving results, which will depend upon a number of factors including factory-fitted options, accessories fitted (post registration), variations in weather, driving styles and vehicle load. Further information about the test used to establish fuel consumption and CO₂ figures can be found at <http://www.mercedes-benz.co.uk/WLTP>





Road Fund Licence



All road vehicle registrations are subject to Vehicle Excise Duty (Road Fund Licence), which varies in accordance with the vehicle's CO₂ emissions. A first year rate for each taxation band will apply. The table below shows the bands (A–M) created by the DVLA and the corresponding Road Fund Licence. CO₂ emissions are listed in the technical data on page 32, and the relevant Excise Duty is reflected in the on-the-road prices on pages 8 and 11.

Band	CO ₂ emissions (g/km)	First year rate petrol and RDE2 diesel (£)	First year rate all other diesel (£) ¹	First year rate alternative fuel (£)	Standard rate (£)	Premium rate (£) ²
A	0	0.00	0.00	0.00	0.00	320.00
B	1 to 50	10.00	25.00	0.00	145.00	465.00
C	51 to 75	25.00	110.00	15.00	145.00	465.00
D	76 to 90	110.00	130.00	100.00	145.00	465.00
E	91 to 100	130.00	150.00	120.00	145.00	465.00
F	101 to 110	150.00	170.00	140.00	145.00	465.00
G	111 to 130	170.00	210.00	160.00	145.00	465.00
H	131 to 150	210.00	530.00	200.00	145.00	465.00
I	151 to 170	530.00	855.00	520.00	145.00	465.00
J	171 to 190	855.00	1,280.00	845.00	145.00	465.00
K	191 to 225	1,280.00	1,815.00	1,270.00	145.00	465.00
L	226 to 255	1,815.00	2,135.00	1,805.00	145.00	465.00
M	over 255	2,135.00	2,135.00	2,125.00	145.00	465.00

¹Applies to all Mercedes-Benz diesel models which do not comply with Real Driving Emissions step 2 (RDE2)

²Premium rate only applicable to vehicles where the list price is over £40,000 including any factory-fitted options, standard UK delivery charge, number plates, fuel and VAT



> Book a test drive



> View offers



> Find a Retailer



> View the Range Guide

35

Services and insurance

Mercedes-Benz ServiceCare

We believe that servicing costs should be as flexible and affordable as possible for your SL, which is why we offer ServiceCare, an easy way to budget for all your servicing costs. It spreads your bills into manageable payments based on whether you have a new or used Mercedes-Benz.

With ServiceCare we guarantee the price of parts and labour for up to four services and safeguard against any further inflation. It also covers the cost of all recommended service items including brake fluid, spark plugs, air filters, fuel filters and screen wash.

You can choose either to add your servicing costs into your monthly spend or pay the full amount in a one-off payment, giving you peace of mind that they are taken care of for the period of the plan.

To receive a personalised ServiceCare plan recommendation visit the ServiceCare Calculator at servicecarerates.mercedes-benz.co.uk

Warranty and breakdown cover

Every Mercedes-Benz comes with a three-year unlimited mileage warranty against manufacturing or material defects¹ and up to 30 years warranty against perforation due to corrosion from the inside out.² What's more, it's also covered by Mercedes-Benz Roadside Assistance – a unique package comprising up to 30 years pan-European breakdown assistance.²

Motor Insurance

Superb cover comes as standard. When reviewed by an independent research company, Defaqto, Mercedes-Benz Motor Insurance received a five-star rating, the highest rating available. We design our Motor Insurance specifically for Mercedes-Benz drivers.

For more information or to obtain a quote, click **here**.



> Book a test drive



> View offers



> Find a Retailer



> View the Range Guide

Mercedes me connect.

Stay connected, any time, anywhere.

Mercedes me is a range of innovative online services designed to enhance your Mercedes-Benz experience. Accessible via mobile, tablet or PC, Mercedes me lets you enjoy the highest standards of care and support, in a way that integrates seamlessly with your busy lifestyle.



Navigation Services (01U)

Visit the Mercedes me connect store or app for pricing.



Live Traffic Information¹

Your navigation system receives traffic data in real time, enabling it to optimise the dynamic route guidance, minimising drive time and offering more precise estimation of arrival times.



Available parking spaces

Locates parking spaces for you in multi-storey car parks and on the street. Saving you time and hassle.



connect Store

In the Mercedes me connect Store you can purchase many digital services designed to make your everyday life easier and provide useful information relating to your networked vehicle.



TIDAL

Love music? Get a 12-month TIDAL HiFi subscription free with Mercedes me connect (worth £240) and unlock access to 58 million songs.



Local Search

This feature provides support in the local search for restaurants or hotels and much more.



Send2Car

Make your journey easier: set your destination using the Mercedes me app and send it directly to your car's navigation system.



Internet Radio

Listen to podcasts and radio stations from anywhere in the world.



Digital Assistant

Digital Assistant allows you to connect to your car via Amazon Alexa or Google Assistant, meaning you can ask from the comfort of your sofa - is my car locked? When's the next service due? How much fuel do I have? Plus much more.

For more information speak to your local Retailer or visit the Mercedes me connect store at shop.mercedes-benz.com/en-gb/connect

¹Free of charge for first 3 years. Extension possible, visit the Mercedes me connect store for details on pricing



> Book a test drive



> View offers



> Find a Retailer



> View the Range Guide

Mercedes me connect.

Stay connected, any time, anywhere.

Mercedes me is a range of innovative online services designed to enhance your Mercedes-Benz experience. Accessible via mobile, tablet or PC, Mercedes me lets you enjoy the highest standards of care and support, in a way that integrates seamlessly with your busy lifestyle.



Vehicle Set-up (08U)

Visit the Mercedes me connect store or app for pricing.



Remote Vehicle Status

Check safety information, such as coolant level and brake pad condition, so you can be sure your car is safe and ready to drive.



Personalisation

Store your preferences, such as your favourite radio stations and apps, to create your personal driver profile.



Parked Vehicle Locator

Forgot where you parked your car? No problem: you can locate and track your car, with the Parked Vehicle Locator.



Vehicle Tracker

Track the location of your car anywhere in the world.



Pre-Entry Climate Control

Programming of charging settings and Pre-Entry Climate Control for plug-in vehicles.



Remote Door Locking/Unlocking

Lock and unlock your car remotely, wherever you are in the world.



ECO Display

Monitor your driving style with ECO Display. It summarises your driving style from the start of the journey to its completion to help you achieve the most economical way to drive.



Geo-fencing

Set up a geographical boundary and receive alerts whenever your car enters or leaves this area.

For more information speak to your local Retailer or visit the Mercedes me connect store at shop.mercedes-benz.com/en-gb/connect



Mercedes-Benz Finance

Why should you finance with Mercedes-Benz?

At Mercedes-Benz we believe a great driving experience should be matched by an equally great ownership experience. That is why we put just as much thought, time and effort into designing our finance options, our service plans and our insurance cover as we do into our vehicles.

We are not in the business of simply providing a loan to fund the purchase of your dream vehicle. We look on it as a journey that we take with you, from the moment you choose your new Mercedes-Benz, to helping you in choosing your next one.

If you would like to find out more about any of our current offers, simply call into your local Mercedes-Benz Retailer where one of our Business Managers will be more than happy to talk you through anything you need to know.

Helping you find the right solution.

You should find our finance packages are more convenient than a traditional personal loan because:

- Funds are immediately available – no waiting for cheques or loans to clear.
- There is no security required – either against your home or other assets.
- We have clear and transparent rates – the APR we quote is the APR you get.
- We have friendly Business Managers – experts in vehicle finance who can talk you through all of your plans in detail.

One of our most popular finance products is Mercedes-Benz Agility (our Personal Contract Purchase product). We also offer Contract Hire, Operating Lease and Hire Purchase solutions. If you would like to find out more about these speak to your Retailer or visit www.mercedes-benz.co.uk/fandi.

Mercedes-Benz Agility (our PCP product).

At the start of an Agility agreement, you put down a deposit and decide the term of your agreement and your annual mileage. You will be advised of the Guaranteed Future Value, which offers you the reassurance of knowing exactly what you will need to pay to own the vehicle outright in the future (this is known as the Optional Purchase Payment).

Throughout your agreement you simply pay your agreed monthly payments and when the agreement comes to an end you either purchase, hand back or part-exchange your vehicle.





Agility features:

- Fixed regular payments mean you can easily budget.
- Payments are based only on a proportion of the vehicle's value, keeping your monthly payments lower.
- Our Guaranteed Future Value avoids the risk of unplanned depreciation of your vehicle.
- You defer your ownership decision until the end of the agreement.

At the end of your agreement you have three options to choose from.

Option 1: Purchase your Mercedes-Benz.

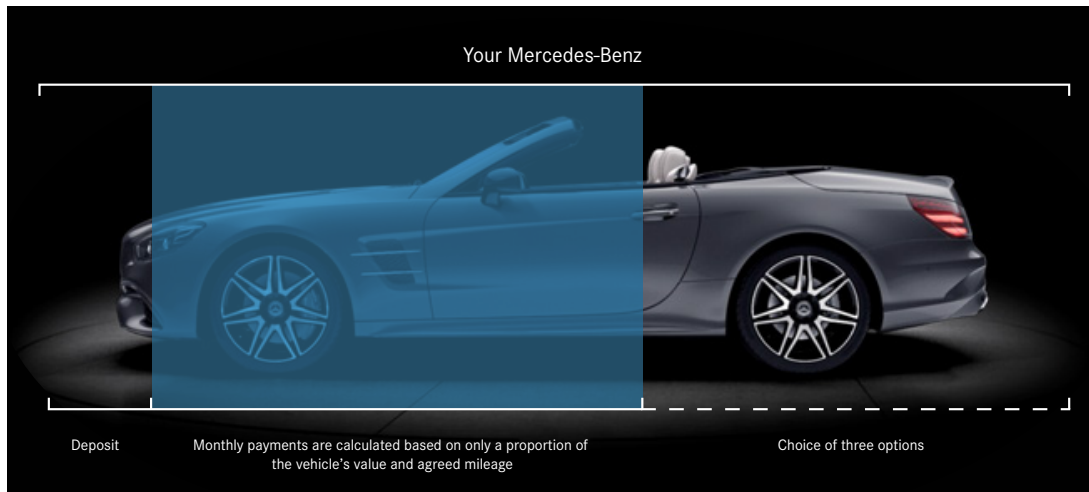
Purchase your Mercedes-Benz by paying the Optional Purchase Payment and Purchase Activation Fee.¹ This will complete the purchase of your Mercedes-Benz, leaving you free to simply enjoy your vehicle.

Option 2: Hand back your Mercedes-Benz.

If you decide to return your vehicle to us, it must be in line with our Vehicle Return Standards,^{*} as vehicle condition, excess mileage and other charges may be payable.

Option 3: Part-Exchange for a new vehicle.

Purchase your Mercedes-Benz by paying the Optional Purchase Payment and Purchase Activation Fee.¹ This will complete the purchase of your Mercedes-Benz, leaving you free to part-exchange for a new vehicle.



¹Please note the 'Purchase Activation Fee' of £10 will be debited from your account ^{*}To find out more information about our Vehicle Return Standards please visit <http://mercedes-benz.co.uk/vrs>



> Book a test drive



> View offers





> Find a Retailer





> View the Range Guide

Follow us on the following social media channels:

 facebook.com/mercedesbenzuk

 twitter.com/mercedesbenzuk

 youtube.com/mercedesbenzuk

 instagram.com/mercedesbenzuk

Effective from December 2019 Production. Information correct at time of publication.

Prices and specifications are subject to change without prior notice.

MBR231PL/1119 MY800.5

Mercedes-Benz Cars UK Limited, Tongwell, Milton Keynes, MK15 8BA. Company number 2448457 www.mercedes-benz.co.uk