



> Keep me updated



> Find a Retailer



> View the Range Guide

E-Class

Saloon, Estate and All-Terrain



Effective from December 2019 Production.

Mercedes-Benz





> Keep me updated



> Find a Retailer



> View the Range Guide

Contents

7 Standard equipment overview	44 Driving Assistance Plus package	70 AMG standard equipment
8 Mercedes me	45 Mercedes-AMG driver training	75 Optional equipment
10 SE and plug-in hybrids	46 Model prices	76 Technical data
22 BP Chargemaster Homecharge	52 Pricing summary for model lines	94 Road Fund Licence
23 AMG Line models	54 Colours and materials	95 Services and insurance
32 All-Terrain Edition	61 Wheels	96 Mercedes-Benz Finance
35 Mercedes-AMG models	64 Standard equipment	



> Keep me updated



> Find a Retailer



> View the Range Guide



Some of the model features, optional extras and colours shown may not be available, or may only be available in a different specification.



> Keep me updated



> Find a Retailer



> View the Range Guide



Some of the model features, optional extras and colours shown may not be available, or may only be available in a different specification.



> Keep me updated



> Find a Retailer



> View the Range Guide



Some of the model features, optional extras and colours shown may not be available, or may only be available in a different specification.



> Keep me updated



> Find a Retailer



> View the Range Guide



Some of the model features, optional extras and colours shown may not be available, or may only be available in a different specification.



> Keep me updated



> Find a Retailer

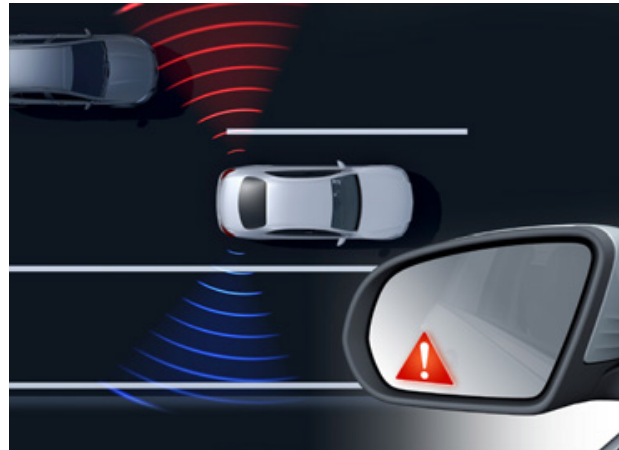


> View the Range Guide

Standard equipment overview



Mirror package and Parking package



Blind Spot Assist



SD card-based navigation system (SE/SE Hybrid/AMG Line Hybrid)



LED High Performance headlamps



Ambient lighting - 64 colours



Widescreen cockpit display



> Keep me updated



> Find a Retailer



> View the Range Guide

Mercedes me connect.

Stay connected, any time, anywhere.

Mercedes me is a range of innovative online services designed to enhance your Mercedes-Benz experience. Accessible via mobile, tablet or PC, Mercedes me lets you enjoy the highest standards of care and support, in a way that integrates seamlessly with your busy lifestyle.



Navigation Services (01U)

Visit the Mercedes me connect store or app for pricing.



Live Traffic Information¹

Your navigation system receives traffic data in real time, enabling it to optimise the dynamic route guidance, minimising drive time and offering more precise estimation of arrival times.



Available parking spaces

Locates parking spaces for you in multi-storey car parks and on the street. Saving you time and hassle.

Infotainment

Visit the Mercedes me connect store or app for pricing.



connect Store

In the Mercedes me connect Store you can purchase many digital services designed to make your everyday life easier and provide useful information relating to your networked vehicle.



TIDAL

Love music? Get a 12-month TIDAL HiFi subscription free with Mercedes me connect (worth £240) and unlock access to 58 million songs.



Local Search

This feature provides support in the local search for restaurants or hotels and much more.



Send2Car

Make your journey easier: set your destination using the Mercedes me app and send it directly to your car's navigation system.



Internet Radio

Listen to podcasts and radio stations from anywhere in the world.



Private Car sharing

Car sharing gives you the opportunity to share your vehicle in a straightforward and safe way with third parties who you authorise.

For more information speak to your local Retailer or visit the Mercedes me connect store at shop.mercedes-benz.com/en-gb/connect

¹Free of charge for first three years. Extension possible, visit the Mercedes me connect store for details on pricing



> Keep me updated



> Find a Retailer



> View the Range Guide

Mercedes me connect.

Stay connected, any time, anywhere.

Mercedes me is a range of innovative online services designed to enhance your Mercedes-Benz experience. Accessible via mobile, tablet or PC, Mercedes me lets you enjoy the highest standards of care and support, in a way that integrates seamlessly with your busy lifestyle.



Vehicle Set-up (08U)

Visit the Mercedes me connect store or app for pricing.



Remote Vehicle Status

Check safety information, such as coolant level and brake pad condition, so you can be sure your car is safe and ready to drive.



Personalisation

Store your preferences, such as your favourite radio stations and apps, to create your personal driver profile.



Parked Vehicle Locator

Forgot where you parked your car? No problem: you can locate and track your car, with the Parked Vehicle Locator.



Vehicle Tracker

Track the location of your car anywhere in the world.



Pre-Entry Climate Control

Programming of charging settings and Pre-Entry Climate Control for plug-in vehicles.



Remote Door Locking/Unlocking

Lock and unlock your car remotely, wherever you are in the world.



ECO Display

Monitor your driving style with ECO Display. It summarises your driving style from the start of the journey to its completion to help you achieve the most economical way to drive.



Geo-fencing

Set up a geographical boundary and receive alerts whenever your car enters or leaves this area.

For more information speak to your local Retailer or visit the Mercedes me connect store at shop.mercedes-benz.com/en-gb/connect



> Keep me updated



> Find a Retailer



> View the Range Guide

E-Class SE

10





> Keep me updated



> Find a Retailer



> View the Range Guide



Model lines | SE

11



Interior shows optional Driving Assistance Plus package (code P20)



> Keep me updated



> Find a Retailer



> View the Range Guide

The E-Class SE model line comes with 17" 5-spoke alloy wheels. Innovative technology includes High Performance LED head and tail lamps, Parking package including Active Parking Assist and reversing camera. The interior is equipped with leather upholstery and heated front seats, KEYLESS-GO starting function, staged ambient lighting with 64 colour settings, and a

3-spoke multifunction steering wheel. The E-Class Estate also has an EASY-PACK automatic powered tailgate and chrome roof rails for stylish versatility. SD card-based navigation and the Audio 20 USB multimedia system (12.3-inch display) are standard.

Engine, Transmission and Suspension

AGILITY CONTROL suspension

DYNAMIC SELECT with a choice of driving modes: ECO, Comfort, Sport and Individual

Exterior

17" alloy wheels – 5-spoke design, painted black with a high-sheen finish

EASY-PACK automatic powered tailgate (Estate only)

Electrically folding mirrors and dimming rear-view mirror

Headlamps – High Performance LED head and tail lamps

Radiator grille with integral Mercedes star and two louvres in high-gloss black; chrome trim elements on the front bumper; trim elements on the rear bumper in high-gloss black

Rain sensor with automatic headlight activation

Roof rails – chrome (Estate only)

Interior

Mirror package, Parking package and Seat Comfort package

Ambient lighting, staged – 64 colours

Heated front seats with leather upholstery

KEYLESS-GO starting function

Seats, front - heated with partial electric adjustment and electro-pneumatic four-way lumbar support

Seats, rear – split folding 40:20:40

Steering wheel – 3-spoke multifunction steering wheel trimmed in nappa leather with touch-control buttons

Communications, Safety and Assistance Systems

Active Braking Assist

Audio 20 USB multimedia system with 12.3-inch display

Blind Spot Assist

Cruise control and variable speed limiter

DAB digital radio tuner

SD card-based navigation system

Touchpad with controller

Widescreen (12.3-inch) cockpit display

Trim and Upholstery

Light carbon-grain aluminium



Leather – black



Saloon OTR from **£38,550¹**

Estate OTR from **£40,550¹**

¹The recommended on-the-road price includes the Road Fund Licence applicable to the standard model plus delivery charge (£715.00 incl. VAT), new vehicle registration fee (£55.00) and number plates (£25.00 incl. VAT). VAT is calculated at the standard rate of 20%



> Keep me updated



> Find a Retailer



> View the Range Guide

E-Class SE Hybrid





> Keep me updated



> Find a Retailer



> View the Range Guide



Model lines | SE Hybrid

14



Interior shows optional Driving Assistance Plus package (code P20)



> Keep me updated



> Find a Retailer



> View the Range Guide

The E-Class SE Hybrid model line comes with 18" 5-spoke alloy wheels. Innovative technology includes High Performance LED head and tail lamps, Parking package including Active Parking Assist and reversing camera. The interior is equipped with leather upholstery and heated front seats, KEYLESS-GO starting function, staged ambient lighting with 64 colour

settings, and a 3-spoke multifunction steering wheel. The E-Class Estate also has an EASY-PACK automatic powered tailgate and chrome roof rails for stylish versatility. SD card-based navigation and the Audio 20 USB multimedia system (12.3-inch display) are standard.

Engine, Transmission and Suspension

AGILITY CONTROL suspension

DYNAMIC SELECT with a choice of driving modes: ECO, Comfort, Sport and Individual

Exterior

18" alloy wheels – 5-spoke design, painted black with a high-sheen finish

EASY-PACK automatic powered tailgate (Estate only)

Electrically folding mirrors and dimming rear-view mirror

Headlamps – High Performance LED head and tail lamps

Radiator grille with integral Mercedes star and two louvres in high-gloss black; chrome trim elements on the front bumper; trim elements on the rear bumper in high-gloss black

Rain sensor with automatic headlight activation

Roof rails – chrome (Estate only)

Interior

Mirror package, Parking package and Seat Comfort package

Ambient lighting, staged – 64 colours

Heated front seats with leather upholstery

KEYLESS-GO starting function

Seats, front – heated with partial electric adjustment and electro-pneumatic four-way lumbar support

Seats, rear – split folding 40:20:40

Steering wheel – 3-spoke multifunction steering wheel trimmed in nappa leather with touch-control buttons

Communications, Safety and Assistance Systems

Active Braking Assist

Audio 20 USB multimedia system with 12.3-inch display

Blind Spot Assist

Cruise control and variable speed limiter

DAB digital radio tuner

SD card-based navigation system

Touchpad with controller

Widescreen (12.3-inch) cockpit display

Trim and Upholstery

Light carbon-grain aluminium



Leather – black



Saloon OTR from **£47,780¹**

Estate OTR from **£49,780¹**

Upgrade price from SE **£9,230**

¹The recommended on-the-road price includes the Road Fund Licence applicable to the standard model plus delivery charge (£715.00 incl. VAT), new vehicle registration fee (£55.00) and number plates (£25.00 incl. VAT). VAT is calculated at the standard rate of 20%



> Keep me updated



> Find a Retailer



> View the Range Guide

E-Class AMG Line Hybrid





> Keep me updated



> Find a Retailer



> View the Range Guide



Model lines | AMG Line Hybrid

17





> Keep me updated



> Find a Retailer



> View the Range Guide

The E-Class AMG Line Hybrid – for Saloon and Estate models – takes its cues from our AMG performance experts, focused on sporty design as well as athletic handling. 18" AMG 5-twin spoke alloy wheels painted titanium grey feature, as does AMG bodystyling for front and rear apron and side skirts, plus privacy glass for rear side windows and rear windscreen. Perforated brake discs with ‘Mercedes-Benz’ lettering complement the look of the AMG

Line. Inside, you’ll find a three-spoke multifunction AMG steering wheel in black nappa leather with flattened bottom section, chrome inserts and touch-control buttons. Further interior highlights are AMG sports pedals with rubber studs, upholstery in ARTICO man-made leather/DINAMICA microfibre, plus open-pore ash wood trim and centre console in black.

In addition/replacement to SE:

Exterior

18" AMG alloy wheels – 5-twin-spoke design, painted titanium grey

AMG bodystyling – front and rear apron, side sill panels

Brake discs – perforated, with ‘Mercedes-Benz’ lettering

Privacy glass for rear side windows and rear windscreen

Interior

AMG Line floor mats

ARTICO man-made leather upper dashboard and beltlines with contrast stitching

ARTICO man-made leather/DINAMICA microfibre upholstery in black

Black open-pore ash wood trim and centre console

Black roof lining

Brushed stainless steel AMG sports pedals with black rubber studs

Steering wheel – 3-spoke multifunction AMG steering wheel in black nappa leather with flattened bottom section, chrome inserts with touch-control buttons

Trim and Upholstery

Black open-pore ash wood



ARTICO man-made leather/DINAMICA microfibre – black



Saloon OTR from **£50,280¹**

Estate OTR from **£52,280¹**

Upgrade price from SE **£11,730**

¹The recommended on-the-road price includes the Road Fund Licence applicable to the standard model plus delivery charge (£715.00 incl. VAT), new vehicle registration fee (£55.00) and number plates (£25.00 incl. VAT). VAT is calculated at the standard rate of 20%



> Keep me updated



> Find a Retailer



> View the Range Guide

E-Class AMG Line Hybrid Premium





> Keep me updated



> Find a Retailer



> View the Range Guide



Model lines | AMG Line Hybrid Premium

20

MULTIBEAM LED Intelligent Light System



Memory package



Wireless charging



> Keep me updated



> Find a Retailer



> View the Range Guide

The AMG Line Hybrid Premium is based on the AMG Line Hybrid and comes with that little bit of extra comfort and technology, such as the MULTIBEAM LED Intelligent Light System, which provides you with perfect light and visibility. Thanks to the Parking package you will master tight parking spaces effortlessly. Active Parking Assist with PARKTRONIC searches for a suitable parking space and then helps you to park in it, while the 360° reversing

camera gives you the complete overview around your car. Conveniently store and select up to three different seat positions with the Memory package. COMAND Online, the online-capable infotainment system, gets you to your destination faster and in more relaxed style. And while on the road, compatible smartphones can be charged wirelessly.

In addition/replacement to AMG Line Hybrid:

Exterior

MULTIBEAM LED Intelligent Light System – headlamps with 84 individually-controlled LEDs, integrated daytime running lamps, Active Light System, cornering light function, motorway mode function, enhanced fog lamp function, Adaptive Highbeam Assist and locator lighting

Interior

Memory package – driver’s seat, front passenger seat, steering column and exterior mirrors – electrically adjustable with memory; includes electro-pneumatic four-way lumbar support and seat cushion depth adjustment (6 cm)

Parking package including 360° camera – Active Parking Assist makes it easier to find and select a parking space as well as to enter or leave parallel and end-on parking spaces or garages. The 360° camera transfers a realistic image to the multimedia system’s display, thus providing assistance when parking and manoeuvring

Communications, Safety and Assistance Systems

COMAND Online system¹ – media Interface and touchpad with control wheel and 12.3-inch colour display. Integrated WLAN hotspot for onboard access of WLAN-enabled devices

Wireless charging – wireless charging surface integrated into quick stowage tray in front of centre console. Quick establishment of connection between multimedia system and mobile phone via Near Field Communication (NFC)

Trim and Upholstery

Black open-pore ash wood

ARTICO man-made leather/DINAMICA microfibre – black

Saloon OTR from **£52,675²**

Estate OTR from **£54,675²**

Upgrade price from AMG Line Hybrid **£2,395**

¹COMAND Online functionality and Wi-Fi connectivity is dependent on a compatible cellular data connection. Please check with your local Mercedes-Benz Retailer on network compatibility

²The recommended on-the-road price includes the Road Fund Licence applicable to the standard model plus delivery charge (£715.00 incl. VAT), new vehicle registration fee (£55.00) and number plates (£25.00 incl. VAT). VAT is calculated at the standard rate of 20%



> Keep me updated



> Find a Retailer



> View the Range Guide

BP Chargemaster Homecharge – simple, convenient, faster charging

Mercedes-Benz plug-in vehicle customers with off-street parking can benefit from the convenience and speed of charging at home by installing a Homecharge wallbox through our charging partner BP Chargemaster. The 7 kW Homecharge unit delivers a full charge in just four hours – that’s three times faster than using a 13 A three-pin domestic plug.¹

HOMECHARGE 7 kW: £399* incl. VAT & installation



Key benefits of the 7 kW BP Chargemaster Homecharge:

Robust and weatherproof, for indoor or outdoor use, and comes with a three year warranty

Installed in as little as two weeks

The cost for a fully-installed charge point at your home includes the £500 OLEV (EVHS) grant²

As a Mercedes-Benz driver, when you install a Homecharge unit through BP Chargemaster you will automatically receive three months FREE membership to POLAR plus, the UK’s largest public charging network with over 6,500 charge points

Questions?

- Simply email mercedes-benz@chargemasterplc.com or
- call their dedicated Homecharge team on 01582 399 412

!Warning

If you are planning to charge your Mercedes-Benz plug-in electric vehicle using a 3-pin domestic plug socket you must get a qualified electrician to inspect and sign off the socket to confirm it is safe and suitable to charge your vehicle. Do not use an electric vehicle 3-pin charge cable with an extension cord.



*Price includes £500 OLEV EVHS Grant. Price correct at time of publication, subject to change ¹Based on 7kW power output for plug-in hybrid vehicles

²The BP Chargemaster Homecharge £500 Grant (including VAT) is only available to customers who meet the criteria of the Office of Low Emission Vehicles (OLEV) and is provided and installed by BP Chargemaster plc. For full details and eligibility criteria for the OLEV EVHS Grant, see <https://www.gov.uk/government/publications/electric-vehicle-homecharge-scheme-guidance-for-customers-version-21>. For full BP Chargemaster Homecharge Terms & Conditions visit https://chargemasterplc.com/terms_conditions



> Keep me updated



> Find a Retailer



> View the Range Guide

E-Class AMG Line Edition

23





> Keep me updated



> Find a Retailer



> View the Range Guide



Model lines | AMG Line Edition





> Keep me updated



> Find a Retailer



> View the Range Guide

The E-Class AMG Line Edition – for Saloon and Estate models – takes its cues from our AMG performance experts, focused on sporty design as well as athletic handling. 19" AMG 5-twin spoke alloy wheels painted titanium grey feature, as does AMG bodystyling for front and rear apron and side skirts, plus privacy glass for rear side windows and rear windscreen. Perforated brake discs with ‘Mercedes-Benz’ lettering complement the look of the

AMG Line. Inside, you’ll find a 3-spoke multifunction AMG steering wheel in black nappa leather with flattened bottom section, chrome inserts and touch-control buttons. Further interior highlights are the online-capable infotainment system COMAND Online, AMG sports pedals with rubber studs, black leather upholstery, plus open-pore ash wood trim and centre console in black.

In addition/replacement to SE:

Exterior

- 19" AMG alloy wheels – 5-twin-spoke design, painted titanium grey
- AMG bodystyling – front and rear apron, side sill panels
- Brake discs – perforated, with ‘Mercedes-Benz’ lettering
- Privacy glass for rear side windows and rear windscreen

Interior

- AMG Line floor mats
- ARTICO man-made leather upper dashboard and beltlines with contrast stitching
- Black open-pore ash wood trim and centre console
- Black roof lining
- Brushed stainless steel AMG sports pedals with black rubber studs

- Leather upholstery
- Steering wheel – 3-spoke multifunction AMG steering wheel in black nappa leather with flattened bottom section, chrome inserts with touch-control buttons

Communications, Safety and Assistance Systems

- COMAND Online system¹ – Media Interface and touchpad with control wheel and 12.3-inch colour display. Integrated WLAN hotspot for onboard access of WLAN-enabled devices

Trim and Upholstery

- Black open-pore ash wood
- Leather – black

Saloon OTR from **£41,050²**
 Upgrade price from SE **£2,500**
 Estate OTR from **£43,370²**
 Upgrade price from SE **£2,820**

¹COMAND Online functionality and Wi-Fi connectivity is dependent on a compatible cellular data connection. Please check with your local Mercedes-Benz Retailer on network compatibility

²The recommended on-the-road price includes the Road Fund Licence applicable to the standard model plus delivery charge (£715.00 incl. VAT), new vehicle registration fee (£55.00) and number plates (£25.00 incl. VAT). VAT is calculated at the standard rate of 20%



> Keep me updated



> Find a Retailer



> View the Range Guide

E-Class AMG Line Edition Premium





> Keep me updated



> Find a Retailer



> View the Range Guide



Model lines | AMG Line Edition Premium

MULTIBEAM LED Intelligent Light System



Memory package



Wireless charging



> Keep me updated



> Find a Retailer



> View the Range Guide

The AMG Line Edition Premium further enhances your E-Class with some practical features and equipment that add to your comfort. While the MULTIBEAM LED Intelligent Light System provides you with perfect light and visibility, the Parking package helps you to master even the tightest parking spaces effortlessly. Active Parking Assist with PARKTRONIC searches

for a suitable parking space and then helps you to park in it, while the 360° reversing camera gives you the overview to the rear. With the Memory package, conveniently store and select up to 3 different seat positions. And while on the road, compatible smartphones can be charged wirelessly.

In addition/replacement to AMG Line Edition:

Exterior

MULTIBEAM LED Intelligent Light System – headlamps with 84 individually-controlled LEDs, integrated daytime running lamps, Active Light System, cornering light function, motorway mode function, enhanced fog lamp function, Adaptive Highbeam Assist and locator lighting

Interior

Memory package – driver’s seat, front passenger seat, steering column and exterior mirrors – electrically adjustable with memory; includes electro-pneumatic four-way lumbar support and seat cushion depth adjustment (6 cm)

Parking package including 360° camera – Active Parking Assist makes it easier to find and select a parking space as well as to enter or leave parallel and end-on parking spaces or garages. The 360° camera transfers a realistic image to the multimedia system’s display, thus providing assistance when parking and manoeuvring

Communications, Safety and Assistance Systems

Wireless charging – wireless charging surface integrated into quick stowage tray in front of centre console. Quick establishment of connection between multimedia system and mobile phone via Near Field Communication (NFC)

Trim and Upholstery

Black open-pore ash wood



Leather – black



Saloon OTR from **£43,550¹**

Estate OTR from **£45,870¹**

Upgrade price from AMG Line Edition **£2,500**

¹The recommended on-the-road price includes the Road Fund Licence applicable to the standard model plus delivery charge (£715.00 incl. VAT), new vehicle registration fee (£55.00) and number plates (£25.00 incl. VAT). VAT is calculated at the standard rate of 20%



> Keep me updated



> Find a Retailer



> View the Range Guide

29

E-Class AMG Line Night Edition Premium Plus





> Keep me updated



> Find a Retailer



> View the Range Guide



30





> Keep me updated



> Find a Retailer



> View the Range Guide

The AMG Line Night Edition Premium Plus emphasises its athletic exterior with high-gloss black painted 20" AMG multi-spoke alloy wheels and a radiator grille with integral Mercedes-Benz star and two louvres in high-gloss black. Further details in high-gloss black, such as the exterior mirror housings, the front apron or the rear bumper add to the impressive look and the panoramic

glass sunroof guarantees a bright and airy feel. KEYLESS-GO Comfort package allows for convenient opening, starting and locking of the car without the need to hold the car key in your hand, while the Burmester® surround sound system ensures an unrivalled listening experience.

In addition/replacement to AMG Line Edition Premium:

Exterior

KEYLESS-GO Comfort package – including hands-free access, automatic powered boot closing and keyless entry

20" AMG alloy wheels – multi-spoke design, painted high-gloss black

Exterior mirror housings in high-gloss black

Front apron in high-gloss black

Panoramic glass sunroof – consisting of a fixed panoramic glass rear section and an electrically-operated sliding glass front section, the glass roof provides additional light and ventilation into the car

Radiator grille with integral Mercedes-Benz star and two louvres in high-gloss black

Rear bumper in high-gloss black with chrome trim

Waistline trim strip in high-gloss black

Communications, Safety and Assistance Systems

Burmester® surround sound system – 13 speakers and a 9-channel amplifier with total output of 590 watts

Trim and Upholstery

Black open-pore ash wood



ARTICO man-made leather/DINAMICA microfibre – black



Saloon OTR from **£46,050¹**

Estate OTR from **£48,370¹**

Upgrade price from AMG Line Edition Premium **£2,500**

¹The recommended on-the-road price includes the Road Fund Licence applicable to the standard model plus delivery charge (£715.00 incl. VAT), new vehicle registration fee (£55.00) and number plates (£25.00 incl. VAT). VAT is calculated at the standard rate of 20%



> Keep me updated



> Find a Retailer



> View the Range Guide

32

E-Class All-Terrain Edition



Optional equipment shown: designo diamond white metallic paint (code 799) and Driving Assistance Plus package (code P20)



> Keep me updated



> Find a Retailer



> View the Range Guide



Optional equipment shown: designo diamond white metallic paint (code 799) and Driving Assistance Plus package (code P20)



> Keep me updated



> Find a Retailer



> View the Range Guide

The E 400 d 4MATIC All-Terrain Edition is designed for all those who aren't afraid to leave perfectly tarmacked roads on occasion. The SUV-style radiator grille and all-terrain front and rear bumpers with simulated chrome underguard create an off-road-ready look.

Inside you'll find leather seats – heated in the front – and a 3-spoke multi-function steering wheel trimmed with nappa leather, as well as air conditioning with two-zone control. Your multimedia needs are covered with COMAND Online, and smartphone integration with Android Auto and Apple CarPlay.™

Exterior

- KEYLESS-GO Comfort package
- 20" alloy wheels – 5-twin-spoke design, painted tremolite grey
- 360° camera
- Active Braking Assist
- AIR BODY CONTROL air suspension
- All-Terrain front and rear bumpers with simulated underguard in silver chrome, and SUV-style radiator grille
- DYNAMIC SELECT with All-Terrain driving mode
- EASY-PACK automatic powered tailgate
- Electrically-folding mirrors and dimming rear-view mirror
- MULTIBEAM LED Intelligent Light System with Adaptive Highbeam Assist
- Panoramic electric glass sunroof
- Privacy glass for rear side windows and rear windscreen
- Tow bar, fully electric – includes 13-pin socket

Interior

- AIR-BALANCE package and Memory package
- Parking package incl. Active Parking Assist and reversing camera
- Ambient lighting, staged – 64 colours
- Burmester® surround sound system and DAB digital radio tuner
- COMAND Online system with 12.3-inch media display¹
- Energizing Comfort
- Heated front seats with leather upholstery
- LINGUATRONIC voice-operated control system
- Seats – rear, split folding 40:20:40
- Smartphone integration with Android Auto and Apple CarPlay™
- Steering wheel – 3-spoke multifunction steering wheel trimmed in nappa leather with touch-control buttons
- Tyre pressure monitoring system
- Widescreen (12.3-inch) cockpit display
- Wireless charging

Trim and Upholstery

Black open-pore ash wood



Leather – black



Leather – hazelnut brown/black



Leather – macchiato beige/black



OTR from **£64,950²**

¹COMAND Online functionality and Wi-Fi connectivity is dependent on a compatible cellular data connection. Please check with your local Mercedes-Benz Retailer on network compatibility

²The recommended on-the-road price includes the Road Fund Licence applicable to the standard model plus delivery charge (£715.00 incl. VAT), new vehicle registration fee (£55.00) and number plates (£25.00 incl. VAT). VAT is calculated at the standard rate of 20%



> Keep me updated



> Find a Retailer



> View the Range Guide

35

Mercedes-AMG E 53 4MATIC+ Premium



Optional equipment shown: Premium Plus equipment line (code PYO) and Driving Assistance Plus package (code P20)



> Keep me updated



> Find a Retailer



> View the Range Guide



36



Optional equipment shown: Premium Plus equipment line (code PYO) and Driving Assistance Plus package (code P20)



> Keep me updated



> Find a Retailer



> View the Range Guide

The Mercedes-AMG E-Class E 53 4MATIC+ Premium combines powerful performance with high efficiency. Fitted with a 6-cylinder in-line engine, it generates 435hp (320 kW) and 520Nm maximum torque. These sporty credentials are matched by the iconic diamond grille, AMG bodystyling, and 'BITURBO 4MATIC+' lettering on the front wings. 19" AMG bi-colour 5-twin-spoke alloy wheels add to the powerful posture. Inside, you'll find

nappa leather upholstery with red stitching and red seatbelts. The ARTICO man-made leather dashboard and AMG floor mats are also adorned with red contrast edging. A host of innovative features include a MULTIBEAM LED Intelligent Light System, a Memory package that records seat settings and a Parking package with a 360° camera. Images are shown on the COMAND Online 12.3" media display¹ with access to all your multimedia needs.



Exterior

19" AMG alloy wheels – 5-twin-spoke, bicolour
AMG bodystyling – front apron with distinctive air intakes, AMG side sill panels and AMG rear apron with diffuser look
AMG DYNAMIC SELECT with a choice of driving modes
'AMG' lettering on front brake calipers
AMG performance exhaust
AMG RIDE CONTROL sports suspension based on AIR BODY CONTROL air suspension
AMG spoiler lip on boot lid in body colour
'BITURBO 4MATIC+' lettering on front wings
Diamond grille with integrated star, chrome pins and 'AMG' lettering
MULTIBEAM LED Intelligent Light System
Privacy glass for rear side windows and rear windscreen

Interior

Memory package
Parking package with 360° camera
AMG start-up logo in central screen
ARTICO man-made leather dashboard with red contrast stitching
COMAND Online system with 12.3-inch media display ¹
Floor mats – with black leather edging, red piping and AMG logo
Front door sill panels with 'AMG' lettering
Nappa leather – black with red contrast stitching
Red seat belts
Seats – rear, split folding 40:20:40
Widescreen (12.3-inch) cockpit display
Wireless charging

Trim and Upholstery

Black open-pore ash wood

Nappa leather – black with red contrast stitching


Saloon OTR from **£64,760²**

Estate OTR from **£66,760²**

¹COMAND Online functionality and Wi-Fi connectivity is dependent on a compatible cellular data connection. Please check with your local Mercedes-Benz Retailer on network compatibility

²The recommended on-the-road price includes the Road Fund Licence applicable to the standard model plus delivery charge (£715.00 incl. VAT), new vehicle registration fee (£55.00) and number plates (£25.00 incl. VAT). VAT is calculated at the standard rate of 20%



> Keep me updated



> Find a Retailer



> View the Range Guide

Mercedes-AMG E 53 4MATIC+ Premium Plus





> Keep me updated



> Find a Retailer



> View the Range Guide



KEYLESS-GO Comfort package



Panoramic electric glass sunroof



> Keep me updated



> Find a Retailer



> View the Range Guide

The Mercedes-AMG E-Class E 53 4MATIC+ Premium Plus emphasises its athletic exterior with black painted 20" AMG 5-twin spoke alloy wheels with a high-sheen finish and a radiator grille with integral Mercedes-Benz star with a single louvre in high-gloss black. Further details in high-gloss black, such as the exterior mirror housings, the front apron

or the rear bumper add to the impressive look of this model line. Inside, you'll find black nappa leather with red contrast stitching matched with black open-pore ash wood trim. This is further complemented by KEYLESS-GO Comfort package including hands-free access, and the Burmester® surround sound system with 13 speakers and a 9-channel amplifier.

In addition/replacement to Mercedes-AMG E 53 4MATIC+ Premium:

Exterior

KEYLESS-GO Comfort package – including hands-free access, automatic powered boot closing and keyless entry

20" AMG alloy wheels (4) – 5-twin-spoke design, painted black with high-sheen finish (code RTZ)

Arrow-shaped wing signet in high-gloss black above 'Turbo 4MATIC+' badging

Black chrome-plated twin tailpipe trim elements

Chrome trim in rear bumper in high-gloss black

Exterior mirror housings in high-gloss black

Front apron in high-gloss black

Panoramic glass sunroof – consisting of a fixed panoramic glass rear section and an electrically-operated sliding glass front section, the glass roof provides additional light and ventilation into the car

Radiator grille with integral Mercedes-Benz star and a single louvre in high-gloss black

Waistline trim strip in high-gloss black

Communications, Safety and Assistance Systems

Burmester® surround sound system – 13 speakers and a 9-channel amplifier with total output of 590 watts

Trim and Upholstery

Black open-pore ash wood



Nappa leather – black with red contrast stitching



Saloon OTR from **£68,250¹**

Estate OTR from **£70,250¹**

Upgrade price from Mercedes-AMG E 53 4MATIC+ Premium **£3,490**

¹The recommended on-the-road price includes the Road Fund Licence applicable to the standard model plus delivery charge (£715.00 incl. VAT), new vehicle registration fee (£55.00) and number plates (£25.00 incl. VAT). VAT is calculated at the standard rate of 20%



> Keep me updated



> Find a Retailer



> View the Range Guide

41

Mercedes-AMG E 63 S 4MATIC+ Premium Plus



Options shown: designo selenite grey magno paint (code 297); AMG high-performance ceramic composite braking system (code B07)



> Keep me updated



> Find a Retailer



> View the Range Guide





> Keep me updated



> Find a Retailer



> View the Range Guide

Exceeding the power of the E 63 S 4MATIC+ Premium Plus with its staggering 612 hp (450kW) output, this model comes with its very own highly distinctive features. Inside, you'll enjoy AMG Performance seats, featuring integrated head restraints adorned with a stitched AMG emblem. The AMG-specific

Exclusive nappa leather upholstery in black with grey contrast stitching is set against crystal grey seat belts, while the upper dashboard is clad in black nappa leather with contrast stitching.

In addition/replacement to Mercedes-AMG E 53 4MATIC+ Premium Plus:

Exterior

20" AMG alloy wheels – cross-spoke forged design, painted high-gloss black with high-sheen finish

AMG bodystyling – front and rear aprons, side skirts in polished aluminium

AMG dynamic engine mounts

AMG electronic rear-axle limited-slip differential³

AMG performance exhaust

AMG SPEEDSHIFT MCT 9-speed sport automatic transmission with RACE START function

Brake calipers – red with 'AMG' lettering

CAMTRONIC – 4-cylinder shut-off for reduced fuel consumption

MULTIBEAM LED Intelligent Light System

Two twin-pipe exhaust system integrated into bumper

'V8 BITURBO 4MATIC+' badge on front wings

Interior

Memory package – Memory package – driver's seat, front passenger seat, steering column and exterior mirrors – electrically adjustable with memory; includes electro-pneumatic four-way lumbar support and seat cushion depth adjustment (6 cm)

AMG Track Pace – enables lap/sector times or even videos to be recorded and analysed⁴

Steering wheel – 3-spoke multifunction AMG performance steering wheel trimmed in black nappa leather/DINAMICA microfibre with flattened bottom section and 12 o'clock marking

Upper dashboard in nappa leather with contrast stitching

Communications, Safety and Assistance Systems

Driving Assistance Plus package (please refer to page 44)

Parking package with 360° camera

Trim and Upholstery

AMG carbon fibre



AMG Exclusive nappa leather – black with grey contrast stitching



Saloon OTR from **£98,050⁵**

Estate OTR from **£100,050⁵**

Upgrade price from Mercedes-AMG E 53 4MATIC+ Premium Plus **£29,800**

¹AMG Performance seats are replaced with AMG sports seats when selecting optional Driving Assistance Plus package (code P20) or omission of AMG Performance seats (code DC5) ²With AMG Exclusive nappa leather - black with grey contrast stitching only ³Complimentary differential oil change required after first 1,800 miles ⁴AMG Track Pace is only available on Apple iPhone. Free download via the App Store ⁵The recommended on-the-road price includes the Road Fund Licence applicable to the standard model plus delivery charge (£715.00 incl. VAT), new vehicle registration fee (£55.00) and number plates (£25.00 incl. VAT). VAT is calculated at the standard rate of 20%



> Keep me updated



> Find a Retailer



> View the Range Guide

Driving Assistance Plus package



Active Distance Assist DISTRONIC



Active Steering Assist

The Driving Assistance Plus package contains a range of highly intelligent features to help you stay safe on the road – by making the drive more effortless, by warning of danger, and by taking steps to protect you in an emergency.

Driving Assistance Plus package (code P20) – designed and priced as a package, including items as listed below.

AMG Line Night Edition Premium Plus, All-Terrain Edition and Mercedes-AMG E 53 4MATIC+ Total incl. VAT £1,695.00
Standard on Mercedes-AMG E 63 S 4MATIC+ Premium Plus

Driving Assistance Plus package comprises:

Active Blind Spot Assist can warn the driver of vehicles in the blind spot during a lane change and can help to avoid a collision by means of one-sided braking intervention

Active Braking Assist with cross-traffic function can help to avoid accidents with vehicles ahead, crossing traffic and also pedestrians, and/or mitigate their consequences

Active Distance Assist DISTRONIC helps maintain the desired distance from the vehicle in front

Active Emergency Stop Assist: immediate emergency braking if evasion is impossible

Active Lane Changing Assist aids the driver with changing lanes by means of steering torque as soon as the driver initiates the change by activating the direction indicator

Active Speed Limit Assist ensures detected speed limits are automatically adopted as the set speed for Active Distance Assist DISTRONIC

Active Steering Assist: targeted steering intervention to prevent unintentional drifting out of lane

Evasive Steering Assist can support the driver in making evasive manoeuvres if, in a dangerous situation, he/she moves to avoid any pedestrian detected by the system

PRE-SAFE® PLUS: when a rear-end collision threatens, PRE-SAFE® PLUS can initiate preventive measures, including warning following traffic and locking the brakes on standstill

Route-based speed adjustment: adaption of speed before curves, roundabouts and junctions



> Keep me updated



> Find a Retailer



> View the Range Guide

45

Become the AMG expert

Unleash a new level of performance.

All Mercedes-AMG customers are invited to a complimentary adrenaline-packed driving experience, under the guidance of our driving specialists at Mercedes-Benz World.



Discover AMG at Mercedes-Benz World

- Individually tailored to your ability
- No previous track experience necessary
- See how well an AMG performs when pushed to its limits
- Put your theoretical driving knowledge to the test on a real track
- Understand the cause and effect of understeer, oversteer drift, collision avoidance and track etiquette
- Get to grips with the Mercedes-Benz World's purpose-built track and dynamic driving facilities

TERMS AND CONDITIONS

The following customers only are eligible: the first purchaser/registered keeper of a newly registered Mercedes-AMG. The complimentary Training as described in the brochure must be booked and taken within six months of delivery of your Mercedes-AMG. The Training is available Monday to Friday and is subject to availability. Requests for Saturday and Sunday will incur an additional charge. Upgrades are available for an additional cost: details upon request. Transferable to individuals who reside at the same postal address only. Mercedes-Benz Cars UK Limited reserves the right to amend or withdraw this Training experience. Attendees must hold a full UK driving licence. Attendees will be required to sign the Mercedes-Benz World Driving Risk Acknowledgement prior to undertaking the Training experience. The Training experience is also subject to the Mercedes-Benz World Terms and Conditions, as applicable. Invitation is emailed to the customer post-delivery. Permission via the customer contact preferences must be given to enable Mercedes-Benz World to contact. Retailer demonstrator vehicles are not eligible.



> Keep me updated



> Find a Retailer



> View the Range Guide

Model prices – Saloon

Model line	Engine	Transmission	CO ₂ ^{1,*}	Basic RRP excl. VAT (£)	Total RRP incl. VAT (£)	Road Fund Licence (£) ²	Rec. OTR price (£) ³	P11D value (£)	BiK tax rate 2019/20 (%)
SE	E 220 d Diesel – 1,950 cc, 4-cylinder, 194 hp/143 kW	9G-TRONIC PLUS 9-speed auto.	118	31,287.50	37,545.00	210.00	38,550.00	38,285.00	32
	E 300 de EQ Power Diesel – 1,950 cc, 4-cylinder, 194 hp/143 kW Electric motor – 122 hp/90 kW	9G-TRONIC PLUS 9-speed auto.	39	39,154.17	46,985.00	0.00	47,780.00	47,725.00	12
	E 300 e EQ Power Petrol – 1,991 cc, 4-cylinder, 211 hp/155 kW Electric motor – 122 hp/90 kW	9G-TRONIC PLUS 9-speed auto.	47	38,945.83	46,735.00	0.00	47,530.00	47,475.00	12
AMG Line	E 300 de EQ Power Diesel – 1,950 cc, 4-cylinder, 194 hp/143 kW Electric motor – 122 hp/90 kW	9G-TRONIC PLUS 9-speed auto.	39	41,237.50	49,485.00	0.00	50,280.00	50,225.00	12
	E 300 e EQ Power Petrol – 1,991 cc, 4-cylinder, 211 hp/155 kW Electric motor – 122 hp/90 kW	9G-TRONIC PLUS 9-speed auto.	47	41,029.17	49,235.00	0.00	50,030.00	49,975.00	12
AMG Line Premium	E 300 de EQ Power Diesel – 1,950 cc, 4-cylinder, 194 hp/143 kW Electric motor – 122 hp/90 kW	9G-TRONIC PLUS 9-speed auto.	39	43,233.33	51,880.00	0.00	52,675.00	52,620.00	12
	E 300 e EQ Power Petrol – 1,991 cc, 4-cylinder, 211 hp/155 kW Electric motor – 122 hp/90 kW	9G-TRONIC PLUS 9-speed auto.	47	43,025.00	51,630.00	0.00	52,425.00	52,370.00	12

¹The indicated values were determined according to the prescribed measurement method – Worldwide Harmonised Light Vehicle Test Procedure (WLTP). Figures shown may include options which are not available in the UK.

For Plug-in Hybrid Electric Vehicle (PHEV) figures determined with the battery fully charged, using a combination of both battery power and fuel. These models require mains electricity for charging

*CO₂ figures have been converted into NEDC-equivalent values for use with the current VED and BiK tax legislation

Figures shown are for comparability purposes; only compare with other cars tested to the same technical procedures. Figures may not reflect real life driving results, which will depend upon a number of factors including the starting charge of the battery, factory-fitted options, accessories fitted (post registration), variations in weather, driving styles and vehicle load. Further information about the test used to establish fuel consumption and CO₂ figures can be found at <http://www.mercedes-benz.co.uk/WLTP>

²A different first year rate of Vehicle Excise Duty (Road Fund Licence) applies for new cars. Please refer to page 94 for the relevant rate for the second and subsequent years

³The recommended on-the-road price includes the Road Fund Licence applicable to the standard model plus delivery charge (£715.00 incl. VAT), new vehicle registration fee (£55.00) and number plates (£25.00 incl. VAT). VAT is calculated at the standard rate of 20%



> Keep me updated



> Find a Retailer



> View the Range Guide

Model line	Engine	Transmission	CO ₂ ^{1,*}	Basic RRP excl. VAT (£)	Total RRP incl. VAT (£)	Road Fund Licence (£) ²	Rec. OTR price (£) ³	P11D value (£)	BiK tax rate 2019/20 (%)
AMG Line Edition	E 220 d Diesel – 1,950 cc, 4-cylinder, 194 hp/143 kW	9G-TRONIC PLUS 9-speed auto.	127	33,370.83	40,045.00	210.00	41,050.00	40,785.00	34
	E 300 d Diesel – 1,950 cc, 4-cylinder, 245 hp/180 kW	9G-TRONIC PLUS 9-speed auto.	135	35,037.50	42,045.00	530.00	43,370.00	42,785.00	36
	E 200 Petrol – 1,991 cc, 4-cylinder, 184 hp/135 kW	9G-TRONIC PLUS 9-speed auto.	165	33,162.50	39,795.00	530.00	41,120.00	40,535.00	37
AMG Line Edition Premium	E 220 d Diesel – 1,950 cc, 4-cylinder, 194 hp/143 kW	9G-TRONIC PLUS 9-speed auto.	127	35,454.17	42,545.00	210.00	43,550.00	43,285.00	34
	E 300 d Diesel – 1,950 cc, 6-cylinder, 245 hp/180 kW	9G-TRONIC PLUS 9-speed auto.	135	37,120.83	44,545.00	530.00	45,870.00	45,285.00	36
	E 350 d Diesel – 2,925 cc, 6-cylinder, 286 hp/213 kW	9G-TRONIC PLUS 9-speed auto.	143	42,866.67	51,440.00	530.00	52,765.00	52,180.00	37
	E 200 Petrol – 1,991 cc, 4-cylinder, 184 hp/135 kW	9G-TRONIC PLUS 9-speed auto.	165	35,245.83	42,295.00	530.00	43,621.00	43,035.00	37

¹The indicated values were determined according to the prescribed measurement method – Worldwide Harmonised Light Vehicle Test Procedure (WLTP). Figures shown may include options which are not available in the UK.

For Plug-in Hybrid Electric Vehicle (PHEV) figures determined with the battery fully charged, using a combination of both battery power and fuel. These models require mains electricity for charging

*CO₂ figures have been converted into NEDC-equivalent values for use with the current VED and BiK tax legislation

Figures shown are for comparability purposes; only compare with other cars tested to the same technical procedures. Figures may not reflect real life driving results, which will depend upon a number of factors including the starting charge of the battery, factory-fitted options, accessories fitted (post registration), variations in weather, driving styles and vehicle load. Further information about the test used to establish fuel consumption and CO₂ figures can be found at <http://www.mercedes-benz.co.uk/WLTP>

²A different first year rate of Vehicle Excise Duty (Road Fund Licence) applies for new cars. Please refer to page 94 for the relevant rate for the second and subsequent years

³The recommended on-the-road price includes the Road Fund Licence applicable to the standard model plus delivery charge (£715.00 incl. VAT), new vehicle registration fee (£55.00) and number plates (£25.00 incl. VAT). VAT is calculated at the standard rate of 20%



> Keep me updated



> Find a Retailer



> View the Range Guide

Model line	Engine	Transmission	CO ₂ ^{1,*}	Basic RRP excl. VAT (£)	Total RRP incl. VAT (£)	Road Fund Licence (£) ²	Rec. OTR price (£) ³	P11D value (£)	BiK tax rate 2019/20 (%)
AMG Line Night Edition Premium Plus	E 220 d Diesel – 1,950 cc, 4-cylinder, 194 hp/143 kW	9G-TRONIC PLUS 9-speed auto.	127	37,537.50	45,045.00	210.00	46,050.00	45,785.00	34
	E 300 d Diesel – 1,950 cc, 4-cylinder, 245 hp/180 kW	9G-TRONIC PLUS 9-speed auto.	135	39,204.17	47,045.00	530.00	48,370.00	47,785.00	36
	E 350 d Diesel – 2,925 cc, 6-cylinder, 286 hp/213 kW	9G-TRONIC PLUS 9-speed auto.	143	44,950.00	53,940.00	530.00	55,265.00	54,680.00	37
	E 400 d 4MATIC Diesel – 2,925 cc, 6-cylinder, 340 hp/250 kW	9G-TRONIC PLUS 9-speed auto.	157	48,783.33	58,540.00	855.00	60,190.00	59,280.00	37
	E 450 4MATIC Petrol – 2,996 cc, 6-cylinder, 367 hp/270 kW	9G-TRONIC PLUS 9-speed auto.	197	46,500.00	55,800.00	1,280.00	57,875.00	56,540.00	37
Mercedes-AMG Premium	Mercedes-AMG E 53 4MATIC+ Petrol – 2,999 cc, 6-cylinder, 435 hp/320 kW EQ Boost – 22 hp/16 kW	AMG SPEEDSHIFT TCT 9-speed transmission	200	52,237.50	62,685.00	1,280.00	64,760.00	63,425.00	37
Mercedes-AMG Premium Plus	Mercedes-AMG E 53 4MATIC+ Petrol – 2,999 cc, 6-cylinder, 435 hp/320 kW EQ Boost – 22 hp/16 kW	AMG SPEEDSHIFT TCT 9-speed transmission	200	55,145.83	66,175.00	1,280.00	68,250.00	66,915.00	37
	Mercedes-AMG E 63 S 4MATIC+ Petrol – 3,982 cc, 8-cylinder, 612 hp/450 kW	AMG SPEEDSHIFT TCT 9-speed transmission	245	79,533.33	95,440.00	1,815.00	98,050.00	96,180.00	37

¹The indicated values were determined according to the prescribed measurement method – Worldwide Harmonised Light Vehicle Test Procedure (WLTP). Figures shown may include options which are not available in the UK.

For Plug-in Hybrid Electric Vehicle (PHEV) figures determined with the battery fully charged, using a combination of both battery power and fuel. These models require mains electricity for charging

*CO₂ figures have been converted into NEDC-equivalent values for use with the current VED and BiK tax legislation

Figures shown are for comparability purposes; only compare with other cars tested to the same technical procedures. Figures may not reflect real life driving results, which will depend upon a number of factors including the starting charge of the battery, factory-fitted options, accessories fitted (post registration), variations in weather, driving styles and vehicle load. Further information about the test used to establish fuel consumption and CO₂ figures can be found at <http://www.mercedes-benz.co.uk/WLTP>

²A different first year rate of Vehicle Excise Duty (Road Fund Licence) applies for new cars. Please refer to page 94 for the relevant rate for the second and subsequent years

³The recommended on-the-road price includes the Road Fund Licence applicable to the standard model plus delivery charge (£715.00 incl. VAT), new vehicle registration fee (£55.00) and number plates (£25.00 incl. VAT). VAT is calculated at the standard rate of 20%



> Keep me updated



> Find a Retailer



> View the Range Guide

Model prices – Estate

Model line	Engine	Transmission	CO ₂ ^{1,*}	Basic RRP excl. VAT (£)	Total RRP incl. VAT (£)	Road Fund Licence (£) ²	Rec. OTR price (£) ³	P11D value (£)	BiK tax rate 2019/20 (%)
SE	E 220 d Diesel – 1,950 cc, 4-cylinder, 194 hp/143 kW	9G-TRONIC PLUS 9-speed auto.	125	32,954.17	39,545.00	210.00	40,550.00	40,285.00	34
	E 300 de EQ Power Diesel – 1,950 cc, 4-cylinder, 194 hp/143 kW Electric motor – 122 hp/90 kW	9G-TRONIC PLUS 9-speed auto.	42	40,820.83	48,985.00	0.00	49,780.00	49,725.00	12
AMG Line	E 300 de EQ Power Diesel – 1,950 cc, 4-cylinder, 194 hp/143 kW Electric motor – 122 hp/90 kW	9G-TRONIC PLUS 9-speed auto.	42	42,904.17	51,485.00	0.00	52,280.00	52,225.00	12
AMG Line Premium	E 300 de EQ Power Diesel – 1,950 cc, 4-cylinder, 194 hp/143 kW Electric motor – 122 hp/90 kW	9G-TRONIC PLUS 9-speed auto.	42	44,900.00	53,880.00	0.00	54,675.00	54,620.00	12
AMG Line Edition	E 220 d Diesel – 1,950 cc, 4-cylinder, 194 hp/143 kW	9G-TRONIC PLUS 9-speed auto.	135	35,037.50	42,045.00	530.00	43,370.00	42,785.00	36
	E 300 d Diesel – 1,950 cc, 4-cylinder, 245 hp/180 kW	9G-TRONIC PLUS 9-speed auto.	144	36,704.17	44,045.00	530.00	45,370.00	44,785.00	37
	E 200 Petrol – 1,991 cc, 4-cylinder, 184 hp/135 kW	9G-TRONIC PLUS 9-speed auto.	173	34,829.17	41,795.00	855.00	43,445.00	42,535.00	37

¹The indicated values were determined according to the prescribed measurement method – Worldwide Harmonised Light Vehicle Test Procedure (WLTP). Figures shown may include options which are not available in the UK.

For Plug-in Hybrid Electric Vehicle (PHEV) figures determined with the battery fully charged, using a combination of both battery power and fuel. These models require mains electricity for charging

*CO₂ figures have been converted into NEDC-equivalent values for use with the current VED and BiK tax legislation

Figures shown are for comparability purposes; only compare with other cars tested to the same technical procedures. Figures may not reflect real life driving results, which will depend upon a number of factors including the starting charge of the battery, factory-fitted options, accessories fitted (post registration), variations in weather, driving styles and vehicle load. Further information about the test used to establish fuel consumption and CO₂ figures can be found at <http://www.mercedes-benz.co.uk/WLTP>

²A different first year rate of Vehicle Excise Duty (Road Fund Licence) applies for new cars. Please refer to page 94 for the relevant rate for the second and subsequent years

³The recommended on-the-road price includes the Road Fund Licence applicable to the standard model plus delivery charge (£715.00 incl. VAT), new vehicle registration fee (£55.00) and number plates (£25.00 incl. VAT). VAT is calculated at the standard rate of 20%



> Keep me updated



> Find a Retailer



> View the Range Guide

Model line	Engine	Transmission	CO ₂ ^{1,*}	Basic RRP excl. VAT (£)	Total RRP incl. VAT (£)	Road Fund Licence (£) ²	Rec. OTR price (£) ³	P11D value (£)	BiK tax rate 2019/20 (%)
AMG Line Edition Premium	E 220 d Diesel – 1,950 cc, 4-cylinder, 194 hp/143 kW	9G-TRONIC PLUS 9-speed auto.	135	37,120.83	44,545.00	530.00	45,870.00	45,285.00	36
	E 300 d Diesel – 1,950 cc, 4-cylinder, 245 hp/180 kW	9G-TRONIC PLUS 9-speed auto.	144	38,787.50	46,545.00	530.00	47,870.00	47,285.00	37
	E 350 d Diesel – 2,925 cc, 6-cylinder, 286 hp/213 kW	9G-TRONIC PLUS 9-speed auto.	149	44,533.33	53,440.00	530.00	54,765.00	54,180.00	37
	E 200 Petrol – 1,991 cc, 4-cylinder, 184 hp/135 kW	9G-TRONIC PLUS 9-speed auto.	173	36,912.50	44,295.00	855.00	45,945.00	45,035.00	37
AMG Line Night Edition Premium Plus	E 220 d Diesel – 1,950 cc, 4-cylinder, 194 hp/143 kW	9G-TRONIC PLUS 9-speed auto.	135	39,204.17	47,045.00	530.00	48,370.00	47,785.00	36
	E 300 d Diesel – 1,950 cc, 4-cylinder, 245 hp/180 kW	9G-TRONIC PLUS 9-speed auto.	144	40,870.83	49,045.00	530.00	50,370.00	49,785.00	37
	E 350 d Diesel – 2,925 cc, 6-cylinder, 286 hp/213 kW	9G-TRONIC PLUS 9-speed auto.	149	46,616.67	55,940.00	530.00	57,265.00	56,680.00	37
	E 400 d 4MATIC Diesel – 2,925 cc, 6-cylinder, 340 hp/250 kW	9G-TRONIC PLUS 9-speed auto.	162	50,450.00	60,540.00	855.00	62,190.00	61,280.00	37
Mercedes-AMG Premium	Mercedes-AMG E 53 4MATIC+ Petrol – 2,999 cc, 6-cylinder, 435 hp/320 kW EQ Boost – 22 hp/16 kW	AMG SPEEDSHIFT TCT 9-speed transmission	203	53,904.17	64,685.00	1,280.00	66,760.00	65,425.00	37
Mercedes-AMG Premium Plus	Mercedes-AMG E 53 4MATIC+ Petrol – 2,999 cc, 6-cylinder, 435 hp/320 kW EQ Boost – 22 hp/16 kW	AMG SPEEDSHIFT TCT 9-speed transmission	203	56,812.50	68,175.00	1,280.00	70,250.00	68,915.00	37
	Mercedes-AMG E 63 S 4MATIC+ Petrol – 3,982 cc, 8-cylinder, 612 hp/450 kW	AMG SPEEDSHIFT TCT 9-speed transmission	246	81,200.00	97,440.00	1,815.00	100,050.00	98,180.00	37

¹The indicated values were determined according to the prescribed measurement method – Worldwide Harmonised Light Vehicle Test Procedure (WLTP). Figures shown may include options which are not available in the UK.

For Plug-in Hybrid Electric Vehicle (PHEV) figures determined with the battery fully charged, using a combination of both battery power and fuel. These models require mains electricity for charging

*CO₂ figures have been converted into NEDC-equivalent values for use with the current VED and BiK tax legislation

Figures shown are for comparability purposes; only compare with other cars tested to the same technical procedures. Figures may not reflect real life driving results, which will depend upon a number of factors including the starting charge of the battery, factory-fitted options, accessories fitted (post registration), variations in weather, driving styles and vehicle load. Further information about the test used to establish fuel consumption and CO₂ figures can be found at <http://www.mercedes-benz.co.uk/WLTP>

²A different first year rate of Vehicle Excise Duty (Road Fund Licence) applies for new cars. Please refer to page 94 for the relevant rate for the second and subsequent years

³The recommended on-the-road price includes the Road Fund Licence applicable to the standard model plus delivery charge (£715.00 incl. VAT), new vehicle registration fee (£55.00) and number plates (£25.00 incl. VAT). VAT is calculated at the standard rate of 20%



> Keep me updated



> Find a Retailer



> View the Range Guide

Model prices – All-Terrain

Model line	Engine	Transmission	CO ₂ ^{1,*}	Basic RRP excl. VAT (£)	Total RRP incl. VAT (£)	Road Fund Licence (£) ²	Rec. OTR price (£) ³	P11D value (£)	BiK tax rate 2019/20 (%)
All-Terrain Edition	E 400 d 4MATIC Diesel – 2,925 cc, 6-cylinder, 340 hp/250 kW	9G-TRONIC PLUS 9-speed automatic	168	52,750.00	63,300.00	855.00	64,950.00	64,040.00	37

¹The indicated values were determined according to the prescribed measurement method – Worldwide Harmonised Light Vehicle Test Procedure (WLTP). Figures shown may include options which are not available in the UK.

^{*}CO₂ figures have been converted into NEDC-equivalent values for use with the current VED and BiK tax legislation

Figures shown are for comparability purposes; only compare with other cars tested to the same technical procedures. Figures may not reflect real life driving results, which will depend upon a number of factors including factory-fitted options, accessories fitted (post registration), variations in weather, driving styles and vehicle load. Further information about the test used to establish fuel consumption and CO₂ figures can be found at <http://www.mercedes-benz.co.uk/WLTP>

²A different first year rate of Vehicle Excise Duty (Road Fund Licence) applies for new cars. Please refer to page 94 for the relevant rate for the second and subsequent years

³The recommended on-the-road price includes the Road Fund Licence applicable to the standard model plus delivery charge (£715.00 incl. VAT), new vehicle registration fee (£55.00) and number plates (£25.00 incl. VAT). VAT is calculated at the standard rate of 20%

[Keep me updated](#)[Find a Retailer](#)[View the Range Guide](#)

Pricing summary for model lines

Model	Transmission	Recommended OTR price (£) ¹					
		SE	AMG Line	AMG Line Premium	AMG Line Edition	AMG Line Edition Premium	AMG Line Night Edition Premium Plus
Saloon							
E 220 d	9G-TRONIC PLUS 9-speed auto.	38,550.00	-	-	41,050.00	43,550.00	46,050.00
E 300 d	9G-TRONIC PLUS 9-speed auto.	-	-	-	43,370.00	45,870.00	48,370.00
E 300 de EQ Power	9G-TRONIC PLUS 9-speed auto.	47,780.00	50,280.00	52,675.00	-	-	-
E 350 d	9G-TRONIC PLUS 9-speed auto.	-	-	-	-	52,765.00	55,265.00
E 400 d 4MATIC	9G-TRONIC PLUS 9-speed auto.	-	-	-	-	-	60,190.00
E 200	9G-TRONIC PLUS 9-speed auto.	-	-	-	41,120.00	43,621.00	-
E 300 e EQ Power	9G-TRONIC PLUS 9-speed auto.	47,530.00	50,030.00	52,425.00	-	-	-
E 450 4MATIC	9G-TRONIC PLUS 9-speed auto.	-	-	-	-	-	57,875.00

		Mercedes-AMG Premium	Mercedes-AMG Premium Plus
Mercedes-AMG E 53 4MATIC+	AMG SPEEDSHIFT TCT 9-speed transmission	64,760.00	68,250.00
Mercedes-AMG E 63 S 4MATIC+	AMG SPEEDSHIFT TCT 9-speed transmission	-	98,050.00

¹The recommended on-the-road price includes the Road Fund Licence applicable to the standard model plus delivery charge (£715.00 incl. VAT), new vehicle registration fee (£55.00) and number plates (£25.00 incl. VAT). VAT is calculated at the standard rate of 20%

[Keep me updated](#)[Find a Retailer](#)[View the Range Guide](#)

Model	Transmission	Recommended OTR price (£) ¹					
		SE	AMG Line	AMG Line Premium	AMG Line Edition	AMG Line Edition Premium	AMG Line Night Edition Premium Plus
Estate							
E 220 d	9G-TRONIC PLUS 9-speed auto.	40,550.00	-	-	43,370.00	45,870.00	48,370.00
E 300 d	9G-TRONIC PLUS 9-speed auto.	-	-	-	45,370.00	47,870.00	50,370.00
E 300 de EQ Power	9G-TRONIC PLUS 9-speed auto.	49,780.00	52,280.00	54,675.00	-	-	-
E 350 d	9G-TRONIC PLUS 9-speed auto.	-	-	-	-	54,765.00	57,265.00
E 400 d 4MATIC	9G-TRONIC PLUS 9-speed auto.	-	-	-	-	-	62,190.00
E 200	9G-TRONIC PLUS 9-speed auto.	-	-	-	43,445.00	45,945.00	-

		Mercedes-AMG Premium	Mercedes-AMG Premium Plus
Mercedes-AMG E 53 4MATIC+	AMG SPEEDSHIFT TCT 9-speed transmission	66,760.00	70,250.00
Mercedes-AMG E 63 S 4MATIC+	AMG SPEEDSHIFT TCT 9-speed transmission	-	100,050.00

¹The recommended on-the-road price includes the Road Fund Licence applicable to the standard model plus delivery charge (£715.00 incl. VAT), new vehicle registration fee (£55.00) and number plates (£25.00 incl. VAT). VAT is calculated at the standard rate of 20%



> Keep me updated



> Find a Retailer



> View the Range Guide

Colours and materials

54





> Keep me updated



> Find a Retailer



> View the Range Guide

Colours and materials

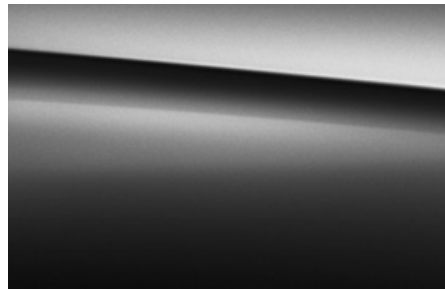
55

Non-metallic and metallic paints

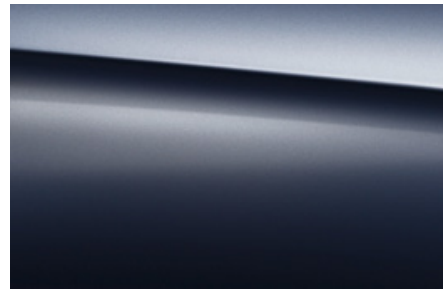
Total prices incl. VAT



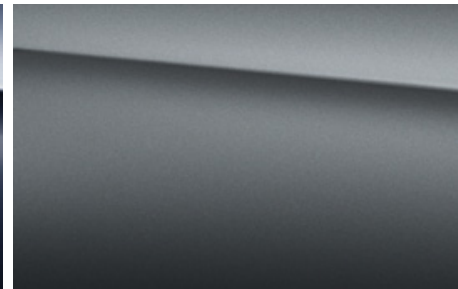
149 polar white **standard**



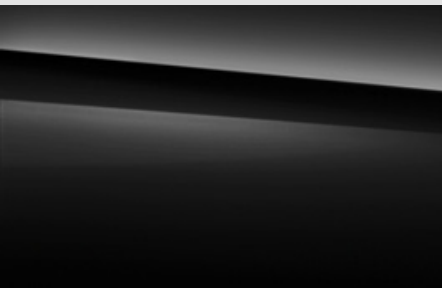
197 obsidian black metallic **£685**



890 cavansite blue metallic **£685**



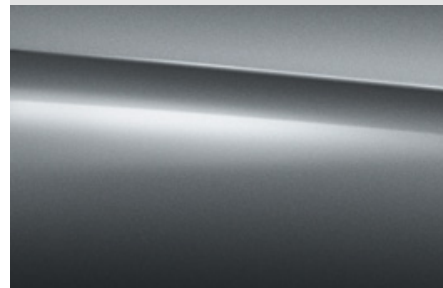
297 designo selenite grey magno^{1,2} **£1,795**



040 black **no-cost option**



775 iridium silver metallic **£685**



992 selenite grey metallic **£685**



799 designo diamond white metallic¹ **£895**



996 hyacinth red metallic¹ **£895**

¹Please check with your Retailer for availability ²designo magno matt paint finishes require extra care. Please refer to the Owner's Manual for instructions Please note that, owing to limitations of on-screen representation, paint colours may differ from those shown



> Keep me updated



> Find a Retailer



> View the Range Guide

Trim



H78 light carbon-grain aluminium



736 black open-pore ash wood



H73 AMG carbon fibre



737 black open-pore ash wood console



737 black open-pore ash wood console



732 AMG carbon fibre console

SE and SE Hybrid	●
AMG Line Hybrid and AMG Line Hybrid Premium	-
AMG Line Edition Premium and AMG Line Night Edition Premium Plus	-
All-Terrain Edition	-
Mercedes-AMG E 53 S 4MATIC+ Premium	-
Mercedes-AMG E 53 S 4MATIC+ Premium Plus	-
Mercedes-AMG E 63 S 4MATIC+ Premium Plus	-
Total RRP incl. VAT (£)	-
excl. VAT (£)	-

SE and SE Hybrid	-
AMG Line Hybrid and AMG Line Hybrid Premium	●
AMG Line Edition Premium and AMG Line Night Edition Premium Plus	●
All-Terrain Edition	●
Mercedes-AMG E 53 S 4MATIC+ Premium	●
Mercedes-AMG E 53 S 4MATIC+ Premium Plus	●
Mercedes-AMG E 63 S 4MATIC+ Premium Plus	-
Total RRP incl. VAT (£)	-
excl. VAT (£)	-

SE and SE Hybrid	-
AMG Line Hybrid and AMG Line Hybrid Premium	-
AMG Line Edition Premium and AMG Line Night Edition Premium Plus	-
All-Terrain Edition	-
Mercedes-AMG E 53 S 4MATIC+ Premium	-
Mercedes-AMG E 53 S 4MATIC+ Premium Plus	-
Mercedes-AMG E 63 S 4MATIC+ Premium Plus	●
Total RRP incl. VAT (£)	-
excl. VAT (£)	-



> Keep me updated



> Find a Retailer



> View the Range Guide

Upholstery



201A black leather¹

SE and SE Hybrid	●
AMG Line Hybrid and AMG Line Hybrid Premium	-
AMG Line Edition ² and AMG Line Edition Premium	●
AMG Line Night Edition Premium Plus	-
All-Terrain Edition	●



214A hazelnut brown/black leather¹

SE and SE Hybrid	○
AMG Line Hybrid and AMG Line Hybrid Premium	-
AMG Line Edition ² and AMG Line Edition Premium	○
AMG Line Night Edition Premium Plus	-
All-Terrain Edition	○



> Keep me updated



> Find a Retailer



> View the Range Guide



215A macchiato beige/black leather¹

SE and SE Hybrid	○
AMG Line Hybrid and AMG Line Hybrid Premium	-
AMG Line Edition ² and AMG Line Edition Premium	○
AMG Line Night Edition Premium Plus	-
All-Terrain Edition	○



601A black ARTICO man-made leather/DINAMICA microfibre

SE and SE Hybrid	-
AMG Line Hybrid and AMG Line Hybrid Premium	●
AMG Line Edition ² and AMG Line Edition Premium	-
AMG Line Night Edition Premium Plus	●
All-Terrain Edition	-



> Keep me updated



> Find a Retailer



> View the Range Guide



821A black nappa leather¹

Mercedes-AMG E 53 4MATIC+ Premium	●
Mercedes-AMG E 53 4MATIC+ Premium Plus	●
Mercedes-AMG E 63 S 4MATIC+ Premium Plus	-



864A saddle brown/black nappa leather¹

Mercedes-AMG E 53 4MATIC+ Premium	○
Mercedes-AMG E 53 4MATIC+ Premium Plus	○
Mercedes-AMG E 63 S 4MATIC+ Premium Plus	-



865A macchiato beige nappa leather¹

Mercedes-AMG E 53 4MATIC+ Premium	○
Mercedes-AMG E 53 4MATIC+ Premium Plus	○
Mercedes-AMG E 63 S 4MATIC+ Premium Plus	-



> Keep me updated



> Find a Retailer



> View the Range Guide



561A black AMG Exclusive nappa leather

Mercedes-AMG E 53 4MATIC+ Premium	-
Mercedes-AMG E 53 4MATIC+ Premium Plus	-
Mercedes-AMG E 63 S 4MATIC+ Premium Plus	●



554A saddle brown/black AMG Exclusive nappa leather

Mercedes-AMG E 53 4MATIC+ Premium	-
Mercedes-AMG E 53 4MATIC+ Premium Plus	-
Mercedes-AMG E 63 S 4MATIC+ Premium Plus	○



555A macchiato beige AMG Exclusive nappa leather

Mercedes-AMG E 53 4MATIC+ Premium	-
Mercedes-AMG E 53 4MATIC+ Premium Plus	-
Mercedes-AMG E 63 S 4MATIC+ Premium Plus	○



> Keep me updated



> Find a Retailer



> View the Range Guide

Wheels



R11 17" alloy wheels (4) – 5-spoke design, painted black with high-sheen finish
front: 225/55 tyres; rear: 225/55 tyres

SE	●
SE Hybrid	-
AMG Line Hybrid	-
AMG Line Hybrid Premium	-
AMG Line Edition	-
AMG Line Edition Premium	-
AMG Line Night Edition Premium Plus	-
All-Terrain Edition	-



R32 18" alloy wheels (4) – 5-spoke design, painted black with high-sheen finish
front: 245/45 tyres; rear: 275/40 tyres

SE	-
SE Hybrid	●
AMG Line Hybrid	-
AMG Line Hybrid Premium	-
AMG Line Edition	-
AMG Line Edition Premium	-
AMG Line Night Edition Premium Plus	-
All-Terrain Edition	-



RQJ 18" AMG alloy wheels (4) – 5-spoke design, painted titanium grey with high-sheen finish
front: 245/45 tyres; rear: 275/40 tyres

SE	-
SE Hybrid	-
AMG Line Hybrid	●
AMG Line Hybrid Premium	●
AMG Line Edition	-
AMG Line Edition Premium	-
AMG Line Night Edition Premium Plus	-
All-Terrain Edition	-



> Keep me updated



> Find a Retailer



> View the Range Guide



RRD 19" AMG alloy wheels (4) – 10-spoke light-alloy wheels
front: 245/40 tyres; rear: 275/35 tyres

SE	-
SE Hybrid	-
AMG Line Hybrid	-
AMG Line Hybrid Premium	-
AMG Line Edition	●
AMG Line Edition Premium	●
AMG Line Night Edition Premium Plus	-
All-Terrain Edition	-



RVR 20" AMG alloy wheels (4) – multi-spoke design,
painted high-gloss black with high-shine finish
front: 245/35 tyres; rear: 275/30 tyres

SE	-
SE Hybrid	-
AMG Line Hybrid	-
AMG Line Hybrid Premium	-
AMG Line Edition	-
AMG Line Edition Premium	-
AMG Line Night Edition Premium Plus	●
All-Terrain Edition	-



54R 20" alloy wheels (4) – 5-twin-spoke design,
painted tremolite grey with burnished finish
front: 245/40 tyres; rear: 275/35 tyres

SE	-
SE Hybrid	-
AMG Line Hybrid	-
AMG Line Hybrid Premium	-
AMG Line Edition	-
AMG Line Edition Premium	-
AMG Line Night Edition Premium Plus	-
All-Terrain Edition	●



> Keep me updated



> Find a Retailer



> View the Range Guide



RTE 19" AMG alloy wheels (4) – 5-twin-spoke design, bicolour
front: 245/40 tyres; rear: 275/35 tyres

Mercedes-AMG E 53 4MATIC+ Premium	●
Mercedes-AMG E 53 4MATIC+ Premium Plus	–
Mercedes-AMG E 63 S 4MATIC+ Premium Plus	–



RTZ 20" AMG alloy wheels (4) – 5-twin-spoke design, painted black with high-shine finish
front: 245/35 tyres; rear: 275/30 tyres

Mercedes-AMG E 53 4MATIC+ Premium	–
Mercedes-AMG E 53 4MATIC+ Premium Plus	●
Mercedes-AMG E 63 S 4MATIC+ Premium Plus	–



RTS 20" AMG alloy wheels (4) – cross-spoke forged design, painted high-gloss black with high-shine finish
front: 265/35 tyres; rear: 295/30 tyres

Mercedes-AMG E 53 4MATIC+ Premium	–
Mercedes-AMG E 53 4MATIC+ Premium Plus	–
Mercedes-AMG E 63 S 4MATIC+ Premium Plus	●



> Keep me updated



> Find a Retailer



> View the Range Guide

Standard equipment

Item	SE/SE Hybrid	AMG Line Hybrid	AMG Line Hybrid Premium	AMG Line Edition	AMG Line Edition Premium	AMG Line Night Edition Premium Plus	All-Terrain Edition
Engine, Transmission and Suspension							
9G-TRONIC 9-speed automatic transmission	●	●	●	●	●	●	●
Agility Control suspension with selective damping system and lowering by 15 mm	●	●	●	●	●	●	-
CAMTRONIC - 4 cylinder shut-off for reduced fuel consumption - in combination with AMG DYNAMIC SELECT Comfort mode, 4 cylinders are automatically shut off between 900-3,250 rpm. When active a symbol is shown in the cockpit display. The system becomes automatically disabled above 3,250 rpm or if spontaneous high performance is required	-	-	-	-	-	-	●
DYNAMIC SELECT with a choice of driving modes: ECO, Comfort, Sport, Sport+ and Individual	●	●	●	●	●	●	●
ECO start/stop function	●	●	●	●	●	●	●
Exterior							
KEYLESS-GO Comfort package - including hands-free access, automatic powered boot closing and keyless entry	-	-	-	-	-	●	●
Mirror package - electrically folding mirrors and automatically-dimming exterior driver's mirror and rear-view mirror	●	●	●	●	●	●	●
25-litre AdBlue tank Diesel engines only	●	●	●	●	●	●	●
66-litre fuel tank	●	●	●	●	●	●	●
Active Parking Assist and reversing camera	●	●	●	●	●	●	-
Active Parking Assist and 360° camera	-	-	-	-	-	-	●

Item	SE/SE Hybrid	AMG Line Hybrid	AMG Line Hybrid Premium	AMG Line Edition	AMG Line Edition Premium	AMG Line Night Edition Premium Plus	All-Terrain Edition
All-Terrain bodystyling - distinctive front and rear aprons	-	-	-	-	-	-	●
All-Terrain bodystyling - longitudinal panneling in black above side sills	-	-	-	-	-	-	●
AMG bodystyling - front and rear aprons, side skirts in polished aluminium	-	●	●	●	●	●	-
EASY-PACK automatic powered tailgate (Estate only)	●	●	●	●	●	●	●
Exterior mirror housings in high-gloss black	-	-	-	-	-	●	-
Exterior mirrors - body colour	●	●	●	●	●	●	●
Exterior mirrors - heated and electronically adjustable	●	●	●	●	●	●	●
Front apron in high-gloss black	-	-	-	-	-	●	-
Headlamps - LED High Performance including integral LED daytime running lamps	●	●	●	●	●	-	-
Headlamps - MULTIBEAM Intelligent Light System with Adaptive Highbeam Assist	-	-	●	-	-	●	●
Panoramic electric glass sunroof	-	-	-	-	-	●	●
Perforated front brake discs and brake calipers with 'Mercedes-Benz' lettering	-	●	●	●	●	●	-
Pre-installation for roof rail systems (Saloon only)	●	●	●	●	●	●	-
Privacy glass - rear side windows and rear windscreen	-	●	●	●	●	●	●
Radiator grille with integrated star: SUV design - two louvres in matt iridium silver with chrome trim	-	-	-	-	-	-	●
Radiator grille with integrated star - two louvres in matt iridium silver with chrome trim	●	●	●	●	●	●	-

● Standard ○ Optional - Not available



> Keep me updated



> Find a Retailer



> View the Range Guide

Item	SE/SE Hybrid	AMG Line Hybrid	AMG Line Hybrid Premium	AMG Line Edition	AMG Line Edition Premium	AMG Line Night Edition Premium Plus	All-Terrain Edition
Exterior (continued)							
Radiator grille with integral Mercedes-Benz star and two louvres in high-gloss black	-	-	-	-	-	●	-
Rain-sensing windscreen wipers	●	●	●	●	●	●	●
Rear bumper in high-gloss black with chrome trim	-	-	-	-	-	●	-
Rear lights - LED	●	●	●	●	●	●	●
Roof rails (Estate only)	●	●	●	●	●	●	●
Run-flat tyres	-	●	●	●	●	●	-
Tinted glass all round - green	●	-	-	-	-	-	-
TIREFIT with tyre inflation compressor	●	-	-	-	-	-	●
Top surround of side windows in polished aluminium	●	●	●	●	●	●	●
Tow bar, fully electric - includes 13-pin socket	-	-	○	-	-	○	●
Visible twin-pipe exhaust system integrated into the bumper	●	●	●	●	●	●	●
Waistline in polished aluminium	●	●	●	●	●	●	●
Waistline trim strip in high-gloss black	-	-	-	-	-	●	-
Interior							
Memory package - driver's seat, front passenger seat, steering column and exterior mirrors - electrically adjustable with memory; includes electro-pneumatic four-way lumbar support and seat cushion depth adjustment (6 cm)	-	●	●	●	●	●	●

Item	SE/SE Hybrid	AMG Line Hybrid	AMG Line Hybrid Premium	AMG Line Edition	AMG Line Edition Premium	AMG Line Night Edition Premium Plus	All-Terrain Edition
Standard equipment							
Seat Comfort package - driver and front passenger seat - electro-pneumatic four-way lumbar support and manual seat cushion depth adjustment (6 cm)	●	●	●	●	●	●	●
Stowage package - double cup holder in centre console for 2×750 ml, map pockets on rear of front seats, bag hooks under parcel shelf, net on luggage compartment floor and folding box and reversible mat (Estate only)	●	●	●	●	●	●	●
Analogue clock on centre console	●	●	●	●	●	●	●
Automatic climate control - two-zone	●	●	●	●	●	●	●
Central stowage compartment with 12 V socket in centre console - replaced with USB socket for use with Android Auto and Apple CarPlay™ in conjunction with optional wireless charging and digital vehicle key for smartphone	●	●	●	●	●	●	●
Charging cable for wallbox and public charging stations (mode 3) - 8 m, 16 A	●	●	●	●	●	●	-
Charging cable for household socket (mode 2) - 8 m, 8 A ¹	●	●	●	●	●	●	-
Courtesy lights in rear grab handles with reading light functionality	●	●	●	●	●	●	●
Door pins in chrome	●	●	●	●	●	●	●
Electric windows (4) - with one-touch opening and closing, including obstruction sensors	●	●	●	●	●	●	●
Electronic key - chrome surround	●	●	●	●	●	●	●
Floor mats with 'All-Terrain' lettering	-	-	-	-	-	-	-

● Standard ○ Optional - Not available ¹If you are planning to charge your Mercedes-Benz plug-in electric vehicle using a 3-pin domestic plug socket you must get a qualified electrician to inspect and sign off the socket to confirm it is safe and suitable to charge your vehicle. Do not use an electric vehicle 3-pin charge cable with an extension cord.



> Keep me updated



> Find a Retailer



> View the Range Guide

Item	SE/SE Hybrid	AMG Line Hybrid	AMG Line Hybrid Premium	AMG Line Edition	AMG Line Edition Premium	AMG Line Night Edition Premium Plus	All-Terrain Edition
Interior (continued)							
Floor mats with 'AMG' lettering	-	●	●	●	●	●	-
Floor mats - velour	●	-	-	●	●	-	-
Front centre armrest with stowage compartment	●	●	●	●	●	●	●
Front door sill panels with 'Mercedes-Benz' lettering - illuminated	●	●	●	●	●	●	●
Glasses compartment in overhead control panel	●	●	●	●	●	●	●
Glove compartment - lockable, air-conditioned and illuminated	●	●	●	●	●	●	●
Head restraints for driver and front passenger (four-way adjustability) and in rear (two-way)	●	●	●	●	●	●	●
Instrument cluster - widescreen (12.3-inch) cockpit display - high resolution screen with choice of three display styles	●	●	●	●	●	●	●
Interior 64-colour ambient lighting - dynamic multicolour LED lighting of trim on dashboard, centre console, and front and rear door panelling; in front and rear door pockets, cup holder and stowage compartment, rear footwell and rear door handle recesses - 10 colour palettes with various colour combinations; Climate control effects with colour feedback; Three unique ambient lighting settings based on display styles 'Classic', 'Progressive' or 'Sport' in conjunction with widescreen (12.3-inch) cockpit display; Welcome light effect upon entry to cabin	●	●	●	●	●	●	●

Item	SE/SE Hybrid	AMG Line Hybrid	AMG Line Hybrid Premium	AMG Line Edition	AMG Line Edition Premium	AMG Line Night Edition Premium Plus	All-Terrain Edition
Standard equipment							
KEYLESS-GO starting function	●	●	●	●	●	●	●
Outside temperature display	●	●	●	●	●	●	●
Seats - front, four-way partially electric seat adjustment	●	●	●	●	●	●	●
Seats - front, heated	●	●	●	●	●	●	●
Seats - rear, split folding 40:20:40 (Saloon)	●	●	●	●	●	●	-
Seats - rear, split folding 40:20:40 (Estate)	●	●	●	●	●	●	●
Service indicator ASSYST	●	●	●	●	●	●	●
Sports pedals in brushed stainless steel with rubber studs	●	●	●	●	●	●	●
Sun visors with illuminated vanity mirrors	●	●	●	●	●	●	●
Trip computer in multifunction display showing current fuel consumption	●	●	●	●	●	●	●
Wireless charging	-	●	●	●	●	●	●



> Keep me updated



> Find a Retailer



> View the Range Guide

Item	SE/SE Hybrid	AMG Line Hybrid	AMG Line Hybrid Premium	AMG Line Edition	AMG Line Edition Premium	AMG Line Night Edition Premium Plus	All-Terrain Edition
Steering							
Direct-Steer speed sensitive steering	●	●	●	●	●	●	●
Steering column – manually adjustable for height and reach	●	●	●	●	●	●	-
Steering column – electrically adjustable for height and reach	△	△	△	△	△	△	●
Steering wheel – 3-spoke in black nappa leather	●	-	-	-	-	-	●
Steering wheel – 3-spoke multifunction AMG steering wheel with touch control buttons, trimmed in black nappa leather with flattened bottom section	-	●	●	●	●	●	-
Steering wheel – multifunction, with gearshift paddles	●	●	●	●	●	●	●
Steering wheel – touch-control buttons for audio and onboard settings	●	●	●	●	●	●	●
Paint, Trim and Upholstery							
Paint – non-metallic	●	●	●	●	●	●	●
Trim – centre console, black open-pore ash wood	●	●	●	●	●	●	●
Trim – dashboard and door, black open-pore ash wood	-	●	●	●	●	●	●
Trim – dashboard and door, light carbon-grain aluminium	●	-	-	-	-	-	-
Trim – upper dashboard, ARTICO man-made leather with contrast topstitching	-	●	●	●	●	●	-
Upholstery – leather	●	-	-	●	-	-	●
Upholstery – ARTICO man-made leather/DINAMICA microfibre	-	●	●	-	●	●	-

● Standard - Not available

Standard equipment

67

Item	SE/SE Hybrid	AMG Line Hybrid	AMG Line Hybrid Premium	AMG Line Edition	AMG Line Edition Premium	AMG Line Night Edition Premium Plus	All-Terrain Edition
Safety and Assistance Systems							
Parking package including 360° camera – Active Parking Assist makes it easier to find and select a parking space as well as to enter or leave parallel and end-on parking spaces or garages. The 360° camera transfers a realistic image to the multimedia system's display, thus providing assistance when parking and manoeuvring	-	-	●	-	●	●	●
Parking package including Active Parking Assist with front and rear parking sensors – the system automatically steers the vehicle into parking spaces. Bay and parallel parking capable	●	●	●	●	●	●	●
Active bonnet – pedestrian safety measure which detects an impact and raises bonnet	●	●	●	●	●	●	●
Active Braking Assist (formerly COLLISION PREVENTION ASSIST)	●	●	●	●	●	●	●
Adaptive brake lights	●	●	●	●	●	●	●
Adaptive Brake System with HOLD function and brake drying in the wet	●	●	●	●	●	●	●
Airbag – kneebag for driver	●	●	●	●	●	●	●
Airbags – driver and front passenger, with extended adaptivity for front passenger airbag	●	●	●	●	●	●	●
Airbags – sidebag for driver and front passenger (combined thorax/pelvis bag)	●	●	●	●	●	●	●
Airbags – windowbags	●	●	●	●	●	●	●
Alarm system with immobiliser and interior protection	●	●	●	●	●	●	●
Anti-lock braking system (ABS)	●	●	●	●	●	●	●



> Keep me updated



> Find a Retailer



> View the Range Guide

Item	SE/SE Hybrid	AMG Line Hybrid	AMG Line Hybrid Premium	AMG Line Edition	AMG Line Edition Premium	AMG Line Night Edition Premium Plus	All-Terrain Edition
Safety and Assistance Systems (continued)							
Attention Assist – can help alert to long journey fatigue	●	●	●	●	●	●	●
Automatic child seat recognition sensor	●	●	●	●	●	●	●
Blind Spot Assist	●	●	●	●	●	●	●
Brake wear warning display	●	●	●	●	●	●	●
Central locking with interior switch, automatic locking and crash sensor with emergency opening function	●	●	●	●	●	●	●
Childproof locks – manually operated for rear doors and electrically operated for rear power windows	●	●	●	●	●	●	●
Cruise control with variable speed limiter	●	●	●	●	●	●	●
Diesel Particulate Filter (DPF) – diesel models only	●	●	●	●	●	●	●
Electronic parking brake	●	●	●	●	●	●	●
Electronic Stability Programme (ESP®)	●	●	●	●	●	●	●
First-aid kit and warning triangle	●	●	●	●	●	●	●
Incorrect fuelling protection – diesel models only	●	●	●	●	●	●	●

Item	SE/SE Hybrid	AMG Line Hybrid	AMG Line Hybrid Premium	AMG Line Edition	AMG Line Edition Premium	AMG Line Night Edition Premium Plus	All-Terrain Edition
Standard equipment							
ISOFIX child seat attachment points – two outer rear seats	●	●	●	●	●	●	●
PRE-SAFE® anticipatory safety system	●	●	●	●	●	●	●
Remote boot release	●	●	●	●	●	●	●
Seat belts – three-point	●	●	●	●	●	●	●
Seat occupancy sensor for front passenger seat	●	●	●	●	●	●	●
Status display for rear seat belts in instrument cluster	●	●	●	●	●	●	●
Traffic Sign Assist – traffic sign recognition including wrong-way warning function and display of posted speed limits in the instrument cluster Only with COMAND Online system	○	○	○	○	○	○	●
Tyre pressure monitoring system	●	●	●	●	●	●	●



> Keep me updated



> Find a Retailer



> View the Range Guide

Item	SE/SE Hybrid	AMG Line Hybrid	AMG Line Hybrid Premium	AMG Line Edition	AMG Line Edition Premium	AMG Line Night Edition Premium Plus	All-Terrain Edition
Communications and In-Car Entertainment							
Audio 20 USB, including control wheel with integrated Media Interface port for iPod® or iPhone® and Bluetooth® interface with hands-free function	●	-	-	-	●	-	-
Burmester® surround sound system - 13 speakers and a 9-channel amplifier with total output of 590 W (7 × 50 W and 2 × 120 W)	-	-	-	-	-	●	●
COMAND Online system ¹ with Media Interface and touchpad - in replacement to SD card-based navigation system: fast hard disk navigation with instructions shown on 12.3-inch high-resolution colour display and in the instrument cluster. Includes 3D views with visualisation of roads and buildings as well as junctions and lane assistants, making it easy for drivers to orientate themselves. Spoken instructions are emitted through vehicle's built-in speakers. WLAN/Wi-Fi hotspot for connecting up to three mobile devices. Car-to-X Communication exchanging the latest traffic information between appropriately equipped vehicles, warns of broken down vehicles and other hazards on the route	-	●	●	●	●	●	●
DAB digital radio	●	●	●	●	●	●	●
High-resolution 12.3-inch multimedia colour display	●	●	●	●	●	●	●
Mercedes me connect (standard services) - including emergency call system (eCall), accident recovery, breakdown and maintenance management	●	●	●	●	●	●	●
Radio aerial integrated into rear window	●	●	●	●	●	●	●

Standard equipment

Item	SE/SE Hybrid	AMG Line Hybrid	AMG Line Hybrid Premium	AMG Line Edition	AMG Line Edition Premium	AMG Line Night Edition Premium Plus	All-Terrain Edition
SD card-based navigation system - Operation via controller or voice control. SD card navigation with instructions shown on 12.3-inch high-resolution colour display and in the instrument cluster. Includes 3D views with visualisation of roads and buildings as well as junction and lane assistants, making it easy for drivers to orientate themselves. Spoken instructions are emitted through vehicle's built-in speakers. Software and map can be updated online	●	●	-	-	-	-	-
Smartphone integration via Android Auto or Apple CarPlay™, Media Interface, USB and Bluetooth® interface Only with COMAND Online system	○	○	○	○	○	○	●
Touchpad with control wheel	●	●	●	●	●	●	●
USB ports (2) in centre console	●	●	●	●	●	●	●
USB ports (2) in the rear	●	●	●	●	●	●	●



> Keep me updated



> Find a Retailer



> View the Range Guide

AMG standard equipment

Item	E53 4MATIC+ Premium	E53 S 4MATIC+ Premium Plus	E63 S 4MATIC+ Premium Plus
Engine, Transmission and Suspension			
9G-TRONIC 9-speed automatic transmission	●	●	-
Active dynamic engine mounts – two dynamic engine mountings (left and right) resolve the conflict of goals between a soft mounting for good comfort and a hard mounting for improved driving dynamics	-	-	●
AMG DYNAMIC SELECT with a choice of driving modes: Comfort, Sport, Sport+, Individual and RACE RACE available only on Mercedes-AMG E 63 S 4MATIC+	●	●	●
AMG electronic rear-axle limited-slip differential ¹ –the electronically-controlled AMG limited-slip differential on the rear axle ensures more agility and greater driving pleasure. It offers all the advantages of a mechanical differential lock. Beyond this, it also provides increased driving stability in slaloms or when changing lane at high speed	-	-	●
AMG performance exhaust system	●	●	●
AMG RIDE CONTROL sports suspension based on AIR BODY CONTROL air suspension – the multi-chamber air suspension system with a sporty spring/damper set-up continuously adjusts damping to ensure excellent driving dynamics and a high level of ride comfort. In combination with AMG DYNAMIC SELECT, three pre-set modes (Comfort, Sport and Sport+) are available to deliver a tailored drive experience	●	●	●
AMG SPEEDSHIFT MCT 9-speed automatic sport transmission with RACE START function	-	-	●
CAMTRONIC – 4 cylinder shut-off for reduced fuel consumption – in combination with AMG DYNAMIC SELECT Comfort mode, 4 cylinders are automatically shut off between 900–3,250 rpm. When active a symbol is shown in the cockpit display. The system becomes automatically disabled above 3,250 rpm or if spontaneous high performance is required	-	-	●

Item	E53 4MATIC+ Premium	E53 S 4MATIC+ Premium Plus	E63 S 4MATIC+ Premium Plus
DYNAMIC SELECT with a choice of driving modes: ECO, Comfort, Sport, Sport+ and Individual	-	-	-
ECO start/stop function	●	●	●
Exterior			
KEYLESS-GO Comfort package – including hands-free access, automatic powered boot closing and keyless entry	-	●	●
Mirror package – electrically folding mirrors and automatically-dimming exterior driver’s mirror and rear-view mirror	●	●	●
66-litre fuel tank	●	●	●
Active Parking Assist and 360° camera	●	●	●
AMG bodystyling – front and rear aprons, side skirts in high-gloss black	●	●	●
AMG bodystyling – front and rear aprons, side skirts in polished aluminium	●	●	●
AMG bodystyling – spoiler lip on boot lid in body colour Saloon only	●	●	●
Arrow-shaped wing signet in high-gloss black above ‘Turbo 4MATIC+’ badging	●	●	-
Arrow-shaped wing signet in high-gloss black above ‘V8 BITURBO 4MATIC+’ badging	-	-	●
Badging – ‘BITURBO 4MATIC+’ lettering on front wings	●	●	-
Badging – ‘V8 BITURBO 4MATIC+’ lettering on front wings	-	-	●
Black chrome-plated twin tailpipe trim elements	-	●	●

● Standard - Not available ¹Complimentary differential oil change required after first 1,800 miles



> Keep me updated



> Find a Retailer



> View the Range Guide

Item	E53 4MATIC+ Premium	E53 S 4MATIC+ Premium Plus	E63 S 4MATIC+ Premium Plus
Exterior (continued)			
Chrome trim in rear bumper in high-gloss black	-	●	●
EASY-PACK automatic powered tailgate (Estate only)	●	●	●
Exterior mirrors - body colour	●	●	●
Exterior mirrors - high-gloss black	●	●	●
Exterior mirrors - heated and electronically adjustable	●	●	●
Headlamps - MULTIBEAM Intelligent Light System with Adaptive Highbeam Assist	●	●	●
Panoramic electric glass sunroof	-	●	●
Perforated front brake discs and anodised silver brake calipers with 'AMG' lettering	●	●	-
Perforated front brake discs and red brake calipers with 'AMG' lettering	-	-	●
Pre-installation for roof rail systems (Saloon only)	●	●	●
Privacy glass - rear side windows and rear windscreen	●	●	●
Radiator grille with integral Mercedes-Benz star and a single louvre in high-gloss black	-	●	●
Rain-sensing windscreen wipers	●	●	●
Rear lights - LED	●	●	●
Roof rails (Estate only)	●	●	●
TIREFIT with tyre inflation compressor	●	●	●
Top surround of side windows in high-gloss black	△	△	△
Top surround of side windows in polished aluminium	●	●	●
Visible two twin-pipe exhaust system integrated into the bumper	●	●	●

Item	E53 4MATIC+ Premium	E53 S 4MATIC+ Premium Plus	E63 S 4MATIC+ Premium Plus
Waistline in high-gloss black	-	●	●
Waistline in polished aluminium	●	-	-
Interior			
Memory package - driver's seat, front passenger seat, steering column and exterior mirrors - electrically adjustable with memory; includes electro-pneumatic four-way lumbar support and seat cushion depth adjustment (6 cm)	●	●	●
Seat Comfort package - driver and front passenger seat - electro-pneumatic four-way lumbar support and manual seat cushion depth adjustment (6 cm)	●	●	-
Stowage package - double cup holder in centre console for 2x750ml, map pockets on rear of front seats, bag hooks under parcel shelf, net on luggage compartment floor and folding box and reversible mat (Estate only)	●	●	●
'AMG' lettering on centre console	●	●	●
Analogue clock on centre console	●	●	●
Automatic climate control - two-zone	●	●	●
Central stowage compartment with 12V socket in centre console - replaced with USB socket for use with Android Auto and Apple CarPlay™ in conjunction with optional wireless charging and digital vehicle key for smartphone	●	●	●
Courtesy lights in rear grab handles with reading light functionality	●	●	●
Door pins in chrome	●	●	●
Electric windows (4) - with one-touch opening and closing, including obstruction sensors	●	●	●



> Keep me updated



> Find a Retailer



> View the Range Guide

Item	E53 4MATIC+ Premium	E53 S 4MATIC+ Premium Plus	E63 S 4MATIC+ Premium Plus
Interior (continued)			
Electronic key - chrome surround	●	●	●
Floor mats with 'AMG' lettering	●	●	●
Front centre armrest with stowage compartment	●	●	●
Front door sill panels with 'AMG' lettering - illuminated	●	●	●
Glasses compartment in overhead control panel	●	●	●
Glove compartment - lockable, air-conditioned and illuminated	●	●	●
Head restraints for driver and front passenger (four-way adjustability) and in rear (two-way)	●	●	-
Head restraints for driver and front passenger with stitched AMG emblem	-	-	●
Instrument cluster - widescreen (12.3-inch) cockpit display - high resolution screen with choice of three display styles	●	●	●
Instrument cluster - AMG main menu, including RACETIMER and AMG start-up display - displays valuable information for sporty drivers presented in an inspiring AMG design. With RACETIMER it is possible to measure lap times	●	●	●
Interior 64-colour ambient lighting - dynamic multicolour LED lighting of trim on dashboard, centre console, and front and rear door panelling; in front and rear door pockets, cup holder and stowage compartment, rear footwell and rear door handle recesses - 10 colour palettes with various colour combinations; Climate control effects with colour feedback; Three unique ambient lighting settings based on display styles 'Classic', 'Progressive' or 'Sport' in conjunction with widescreen (12.3-inch) cockpit display; Welcome light effect upon entry to cabin	●	●	●

Item	E53 4MATIC+ Premium	E53 S 4MATIC+ Premium Plus	E63 S 4MATIC+ Premium Plus
KEYLESS-GO starting function	●	●	●
Outside temperature display	●	●	●
Seats - front, AMG Performance seats ¹ - more pronounced contouring of front seats for enhanced lateral support, with integral head restraints and AMG badging in seat backrests	-	-	●
Seats - front, AMG sports seats - more pronounced contouring of front seats for enhanced lateral support, with AMG badging in seat backrests. AMG-specific upholstery layout	●	●	○
Seats - front, heated	●	●	●
Seats - rear, split folding 40:20:40 (Saloon)	●	●	●
Seats - rear, split folding 40:20:40 (Estate)	●	●	●
Service indicator ASSYST	●	●	●
Sports pedals in brushed stainless steel with rubber studs	●	●	●
Sun visors with illuminated vanity mirrors	●	●	●
Trip computer in multifunction display showing current fuel consumption	●	●	●
Wireless charging	●	●	●



> Keep me updated



> Find a Retailer



> View the Range Guide

Item	E53 4MATIC+ Premium	E53 S 4MATIC+ Premium Plus	E63 S 4MATIC+ Premium Plus
Steering			
Steering column – electrically adjustable for height and reach	●	●	●
Steering wheel – 3-spoke multifunction AMG performance steering wheel trimmed in black nappa leather/DINAMICA microfibre with flattened bottom section and grey 12 o'clock marking	-	-	●
Steering wheel – multifunction, with gearshift paddles	●	●	●
Steering wheel – touch-control buttons for audio and onboard settings	●	●	●
Paint, Trim and Upholstery			
Paint – non-metallic	●	●	●
Trim – centre console, black open-pore ash wood	●	●	●
Trim – dashboard and door, black open-pore ash wood	●	●	●
Trim – upper dashboard, ARTICO man-made leather with contrast topstitching	●	●	-
Trim – upper dashboard, nappa leather with contrast topstitching	-	-	●
Upholstery – AMG Exclusive nappa leather	-	-	●
Upholstery – nappa leather	●	●	-

Item	E53 4MATIC+ Premium	E53 S 4MATIC+ Premium Plus	E63 S 4MATIC+ Premium Plus
Safety and Assistance Systems			
Parking package including 360° camera – Active Parking Assist makes it easier to find and select a parking space as well as to enter or leave parallel and end-on parking spaces or garages. The 360° camera transfers a realistic image to the multimedia system's display, thus providing assistance when parking and manoeuvring	●	●	●
Parking package including Active Parking Assist with front and rear parking sensors – the system automatically steers the vehicle into parking spaces. Bay and parallel parking capable	●	●	●
Active bonnet – pedestrian safety measure which detects an impact and raises bonnet	●	●	●
Active Braking Assist (formerly COLLISION PREVENTION ASSIST)	●	●	●
Adaptive brake lights	●	●	●
Adaptive Brake System with HOLD function and brake drying in the wet	●	●	●
Airbag – kneebag for driver	●	●	●
Airbags – driver and front passenger, with extended adaptivity for front passenger airbag	●	●	●
Airbags – sidebag for driver and front passenger (combined thorax/pelvis bag)	●	●	●
Airbags – windowbags	●	●	●
Alarm system with immobiliser and interior protection	●	●	●
Anti-lock braking system (ABS)	●	●	●
Attention Assist – can help alert to long journey fatigue	●	●	●
Automatic child seat recognition sensor	●	●	●



> Keep me updated



> Find a Retailer



> View the Range Guide

Item	E 53 4MATIC+ Premium	E 53 S 4MATIC+ Premium Plus	E 63 S 4MATIC+ Premium Plus
Safety and Assistance Systems (continued)			
Blind Spot Assist	●	●	●
Brake wear warning display	●	●	●
Central locking with interior switch, automatic locking and crash sensor with emergency opening function	●	●	●
Childproof locks – manually operated for rear doors and electrically operated for rear power windows	●	●	●
Cruise control with variable speed limiter	●	●	●
Electronic parking brake	●	●	●
Electronic Stability Programme (ESP®)	●	●	●
First-aid kit and warning triangle	●	●	●
ISOFIX child seat attachment points – two outer rear seats	●	●	●
PRE-SAFE® anticipatory safety system	●	●	●
Remote boot release	●	●	●
Seat belts – three-point	●	●	●
Seat occupancy sensor for front passenger seat	●	●	●
Status display for rear seat belts in instrument cluster	●	●	●
Traffic Sign Assist – traffic sign recognition including wrong-way warning function and display of posted speed limits in the instrument cluster	●	●	●
Tyre pressure monitoring system	●	●	●

Item	E 53 4MATIC+ Premium	E 53 S 4MATIC+ Premium Plus	E 63 S 4MATIC+ Premium Plus
Communications and In-Car Entertainment			
Burmester® surround sound system – 13 speakers and a 9-channel amplifier with total output of 590 W (7 × 50 W and 2 × 120 W)	–	●	●
COMAND Online system ¹ with Media Interface and touchpad – in replacement to SD card-based navigation system: fast hard disk navigation with instructions shown on 12.3-inch high-resolution colour display and in the instrument cluster. Includes 3D views with visualisation of roads and buildings as well as junctions and lane assistants, making it easy for drivers to orientate themselves. Spoken instructions are emitted through vehicle's built-in speakers. WLAN/Wi-Fi hotspot for connecting up to three mobile devices. Car-to-X Communication exchanging the latest traffic information between appropriately equipped vehicles, warns of broken down vehicles and other hazards on the route	●	●	●
DAB digital radio	●	●	●
High-resolution 12.3-inch multimedia colour display	●	●	●
Mercedes me connect (standard services) – including emergency call system (eCall), accident recovery, breakdown and maintenance management	●	●	●
Radio aerial integrated into rear window	●	●	●
Smartphone integration via Android Auto or Apple CarPlay™, Media Interface, USB and Bluetooth® interface	●	●	●
Touchpad with control wheel	●	●	●
USB ports (2) in centre console	●	●	●
USB ports (2) in the rear	●	●	●

● Standard – Not available ¹COMAND Online functionality and Wi-Fi connectivity is dependent on a compatible cellular data connection. Please check with your local Mercedes-Benz Retailer on network compatibility



> Keep me updated



> Find a Retailer



> View the Range Guide

Optional equipment

Item	Notes	SE/SE Hybrid	AMG Line Hybrid	AMG Line Hybrid Premium	AMG Line Edition	AMG Line Edition Premium	AMG Line Night Edition Premium Plus	All-Terrain Edition	E53 4MATIC+ Premium	E53 S 4MATIC+ Premium Plus	E63 S 4MATIC+ Premium Plus	Basic RRP excl. VAT (£)	Total RRP incl. VAT (£)
AMG Performance Studio													
AMG high-performance ceramic composite braking system – bronze-painted brake calipers with ‘AMG Carbon Ceramic’ lettering – extremely short stopping distances, precise pressure point and outstanding fade resistance even in extreme operating conditions. Race-track braking performance accompanied by weight savings of around 40% over conventional composite brake discs	Front axle: diameter 402×39 mm, internally ventilated and perforated, with 6-piston fixed calipers. Rear axle: diameter 360×32 mm, internally ventilated and perforated, with 4-piston fixed calipers	B07	-	-	-	-	-	-	-	-	○	5,829.17	6,995.00
Exterior													
Tow bar, fully electric – includes 13-pin socket When ordering, please discuss with your Retailer any specific electrical towing requirements	Estate only	550	-	-	○	-	-	○	●	-	-	579.17	695.00
Service Package													
ServiceCare ServiceCare allows you to spread the cost of servicing your new car in the Mercedes-Benz Retailer network. Taking out a ServiceCare plan ensures your servicing needs are taken care of by fully-trained Mercedes-Benz Technicians with the added benefit of a Mercedes-Benz service history	Price is based on a monthly rate. Example given is for two services taken over 24 months; three services over 36 months; or four services over 48 months. Further payment options are available. New ServiceCare prices apply only to vehicles up to 12 months old prior to first service	'	○	○	○	○	○	○	-	-	-	28.33	34.00
			-	-	-	-	-	-	○	○	○	40.83	49.00

[Keep me updated](#)[Find a Retailer](#)[View the Range Guide](#)

Technical data – Saloon

		Diesel engines				
Model		E 220 d	E 300 d	E 300 de	E 350 d	E 400 d 4MATIC
Engine						
Total displacement	cc	1,950	1,950	1,950	2,925	2,925
Arrangement/cylinders/valves		in-line/4/16	in-line/4/16	in-line/4/16	in-line/6/24	in-line/6/24
Fuel delivery		Common-rail diesel with twin scroll turbochargers	Common-rail diesel with twin scroll turbochargers	Common-rail diesel with twin scroll turbochargers	Common-rail diesel with twin scroll turbochargers	Common-rail diesel with twin scroll turbochargers
Power ¹	hp (kW) at rpm					
Combustion engine		194 (143)/3,800	184 (135)/5,500	194 (143)/3,800	286 (210)/3,400–4,600	340 (250)/3,600–4,400
Electric motor		–	–	122 (90)/2,500	–	–
System output		–	–	306 (225)/3,500–4,000	–	–
Torque ¹	Nm at rpm					
Combustion engine		400/1,600–2,800	300/1,200–4,000	400/1,600–2,800	600/1,200–3,200	700/1,200–3,200
Electric motor		–	–	440/0–2,000	–	–
System output		–	–	700/tba	–	–
Compression ratio		15.5:1	15.5:1	15.5:1	15.5:1	15.5:1
Equivalent All-Electric Range (EAER) ²	mi	–	–	31.7–28.5	–	–
Battery type/capacity	kWh	–	–	Lithium-ion/13.50	–	–
Power consumption, combined ²	Wh/km	–	–	226–252	–	–
AC charging time, 10–100% ³	h					
At a domestic socket ⁴		–	–	5.00	–	–
At a wallbox		–	–	1.25	–	–
Capacity on-board charger	kW	–	–	7.2	–	–

¹ Figures according to Directive 80/1269/EEC in the currently applicable version

² The indicated values were determined according to the prescribed measurement method – Worldwide Harmonised Light Vehicle Test Procedure (WLTP). Figures shown may include options which are not available in the UK.

For Plug-in Hybrid Electric Vehicle (PHEV) figures determined with the battery fully charged, using a combination of both battery power and fuel. These models require mains electricity for charging

³ Specified voltage and current values refer to network infrastructure and can be limited by the vehicle. Times are from 10–100% charge using a wallbox (three-phase) or standard socket (single-phase)

⁴ **If you are planning to charge your Mercedes-Benz plug-in electric vehicle using a 3-pin domestic plug socket you must get a qualified electrician to inspect and sign off the socket to confirm it is safe and suitable to charge your vehicle. Do not use an electric vehicle 3-pin charge cable with an extension cord.**



> Keep me updated



> Find a Retailer



> View the Range Guide

		Diesel engines				
Model		E 220 d	E 300 d	E 300 de	E 350 d	E 400 d 4MATIC
Transmission						
9G-TRONIC PLUS 9-speed automatic		●	●	●	●	●
Performance						
Acceleration 0–62 mph	sec	7.3	6.2	5.9	5.7	4.9
Top speed, approx.	mph	149	155 ³	155 ³	155 ³	155 ³
Weights and capacities						
Kerb weight ⁵	kg	1,715	1,735	2,060	1,840	1,905
Perm. GVW	kg	2,330	2,370	2,700	2,480	2,545
Load capacity	l	540	540	400	540	540
Towing capacity – unbraked		750	750	750	750	750
braked	kg	2,100	2,100	2,100	2,100	2,100
Fuel tank capacity/reserve	l	66/7	66/7	66/7	66/7	66/7
Turning circle	m	11.60	12	11.60	11.60	11.90

● Standard ○ Optional – Not available ³Electronically limited

⁵Figures according to Directive 92/21/EC (kerb weight with fuel tank 90% full, driver, 68 kg, and luggage, 7kg) for standard-specification vehicles. Optional extras and accessories will generally increase this figure and reduce the payload capacity accordingly



> Keep me updated



> Find a Retailer



> View the Range Guide

Model	Diesel engines				
	E 220 d	E 300 d	E 300 de	E 350 d	E 400 d 4MATIC

Fuel consumption^{6,7,8}

Combined (consumption dependent on chosen optional equipment)	l/100 km	5.3–6.5	5.9–6.8	1.3–1.5	6.0–6.9	6.6–7.5
	mpg	53.3–43.5	47.9–41.5	217.3–188.3	47.1–40.9	42.8–37.7

CO₂ emissions^{7,8,*}

g/km

Emissions standard	EU6	EU6	EU6	EU6	EU6
17" 225/55 tyres	–	–	–	–	–
18" 275/45 tyres	–	–	41	–	–
19" 275/35 tyres	127	135	–	143	157
20" 275/30 tyres	–	135	–	143	157

Insurance group ratings

Base model – SE [AMG Line]	31 E [31E]	tba	tba	tba	tba
----------------------------	------------	-----	-----	-----	-----

Insurance ratings may vary depending on model line and specification. Please refer to <http://www.thatcham.org/abigrouprating/> for further details

⁶All figures are based on a standard specification with the smallest tyre size. ⁷The choice of wheels and transmission may affect CO₂ emissions and corresponding Road Fund Licence

⁸The indicated values were determined according to the prescribed measurement method – Worldwide Harmonised Light Vehicle Test Procedure (WLTP). Figures shown may include options which are not available in the UK.

For Plug-in Hybrid Electric Vehicle (PHEV) figures determined with the battery fully charged, using a combination of both battery power and fuel. These models require mains electricity for charging

*CO₂ figures have been converted into NEDC-equivalent values for use with the current VED and BIK tax legislation

Figures shown are for comparability purposes; only compare with other cars tested to the same technical procedures. Figures may not reflect real life driving results, which will depend upon a number of factors including the starting charge of the battery, factory-fitted options, accessories fitted (post registration), variations in weather, driving styles and vehicle load. Further information about the test used to establish fuel consumption and CO₂ figures can be found at <http://www.mercedes-benz.co.uk/WLTP>

[Keep me updated](#)[Find a Retailer](#)[View the Range Guide](#)

Model	Petrol engines					
	E 200	E 300 e	E 450 4MATIC	Mercedes-AMG E 53 4MATIC+	Mercedes-AMG E 63 S 4MATIC+	
Engine						
Total displacement	cc	1,991	1,991	2,996	2,999	3,982
Arrangement/cylinders/valves		in-line/4/16	in-line/4/16	V/6/24	in-line/6/24	V/8/32
Fuel delivery		Electronically controlled direct injection with turbocharger	Electronically controlled direct injection with turbocharger	Electronically controlled direct injection with turbocharger	Electronically controlled direct injection with biturbo	Electronically controlled direct injection with biturbo
Power ¹	hp (kW) at rpm					
Combustion engine		197 (135)/5,500–6,100	211 (155)/5,500	367 (270)/5,500–6,000	435 (320)/6,100	612 (450)/5,750–6,500
Electric motor/EQ Boost		–	122 (90)/2,500	–	22 (16)	–
System output		–	320 (235)/4,500–5,500	–	–	–
Torque ¹	Nm at rpm					
Combustion engine		320/1,650–4,000	350/1,200–4,000	500/1,800–4,500	520/1,800–5,800	850/2,500–4,500
Electric motor/EQ Boost		–	440/0–2,000	–	250	–
System output		–	700/tba	–	–	–
Compression ratio		10.5:1	9.8:1	10.5:1	10.5:1	8.6:1
Equivalent All-Electric Range (EAER) ²	mi	–	tba	–	–	–
Battery type/capacity	kWh	–	Lithium-ion/13.50	–		
Power consumption, combined ²	Wh/km	–	tba	–	–	–
AC charging time, 10–100% ³	h					
At a domestic socket ⁴		–	5.00	–	–	–
At a wallbox		–	1.25	–	–	–
Capacity on-board charger	kW	–	7.2	–	–	–

¹Figures according to Directive 80/1269/EEC in the currently applicable version

²The indicated values were determined according to the prescribed measurement method – Worldwide Harmonised Light Vehicle Test Procedure (WLTP). Figures shown may include options which are not available in the UK. For Plug-in Hybrid Electric Vehicle (PHEV) figures determined with the battery fully charged, using a combination of both battery power and fuel. These models require mains electricity for charging

³Specified voltage and current values refer to network infrastructure and can be limited by the vehicle. Times are from 10–100% charge using a wallbox (three-phase) or standard socket (single-phase)

⁴If you are planning to charge your Mercedes-Benz plug-in electric vehicle using a 3-pin domestic plug socket you must get a qualified electrician to inspect and sign off the socket to confirm it is safe and suitable to charge your vehicle. Do not use an electric vehicle 3-pin charge cable with an extension cord.



> Keep me updated



> Find a Retailer



> View the Range Guide

Model	Petrol engines				
	E 200	E 300 e	E 450 4MATIC	Mercedes-AMG E 53 4MATIC+	Mercedes-AMG E 63 S 4MATIC+

Transmission

9G-TRONIC PLUS 9-speed automatic	●	●	●	-	-
AMG SPEEDSHIFT MCT 9-speed sport auto.	-	-	-	-	●
AMG SPEEDSHIFT TCT 9-speed transmission	-	-	-	●	-

Performance

Acceleration 0–62 mph	sec	7.5	5.7	5.1	4.5	3.4
Top speed, approx.	mph	149	155 ³	155 ³	155 ³	186 ³

Weights and capacities

Kerb weight ⁵	kg	1,695	2,005	1,845	1,945	2,037
Perm. GVW	kg	2,355	2,625	2,485	2,495	2,555
Load capacity	l	540	370	540	540	540
Towing capacity – unbraked		750	750	750	750	750
braked	kg	1,900	2,100	2,100	1,900	1,900
Fuel tank capacity/reserve	l	66/7	60/7	80/10	80/10	80/10
Turning circle	m	11.60	11.60	11.60	12.50	12.50

● Standard ○ Optional - Not available ³Electronically limited

⁵Figures according to Directive 92/21/EC (kerb weight with fuel tank 90% full, driver, 68 kg, and luggage, 7 kg) for standard-specification vehicles. Optional extras and accessories will generally increase this figure and reduce the payload capacity accordingly



> Keep me updated



> Find a Retailer



> View the Range Guide

Model	Petrol engines				
	E 200	E 300 e	E 450 4MATIC	Mercedes-AMG E 53 4MATIC+	Mercedes-AMG E 63 S 4MATIC+

Fuel consumption^{6,7,8}

Combined (consumption dependent on chosen optional equipment)	l/100 km	mpg	7.4-8.8 38.2-32.1	1.5-2.0 188.3-141.3	8.9-9.8 31.7-28.8	9.0-9.5 31.4-29.7	11.9-12.4 23.7-22.8

CO₂ emissions^{7,8,*}

g/km

Emissions standard	EU6	EU6	EU6	EU6	EU6
18" 275/40 tyres	-	41	-	-	-
19" 275/35 tyres	164	-	-	-	-
20" 275/30 tyres	-	-	197	-	245

Insurance group ratings

Base model - SE [AMG Line]	28E [29E]	tba [tba]	tba [tba]	tba	47E-49
----------------------------	-----------	-----------	-----------	-----	--------

Insurance ratings may vary depending on model line and specification. Please refer to <http://www.thatcham.org/abigrouprating/> for further details

⁶All figures are based on a standard specification with the smallest tyre size. ⁷The choice of wheels and transmission may affect CO₂ emissions and corresponding Road Fund Licence

⁸The indicated values were determined according to the prescribed measurement method - Worldwide Harmonised Light Vehicle Test Procedure (WLTP). Figures shown may include options which are not available in the UK.

For Plug-in Hybrid Electric Vehicle (PHEV) figures determined with the battery fully charged, using a combination of both battery power and fuel. These models require mains electricity for charging

*CO₂ figures have been converted into NEDC-equivalent values for use with the current VED and BIK tax legislation

Figures shown are for comparability purposes; only compare with other cars tested to the same technical procedures. Figures may not reflect real life driving results, which will depend upon a number of factors including the starting charge of the battery, factory-fitted options, accessories fitted (post registration), variations in weather, driving styles and vehicle load. Further information about the test used to establish fuel consumption and CO₂ figures can be found at <http://www.mercedes-benz.co.uk/WLTP>



> Keep me updated

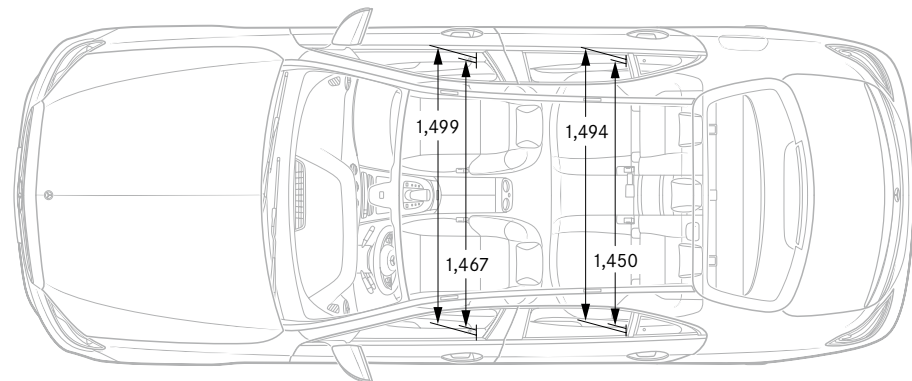
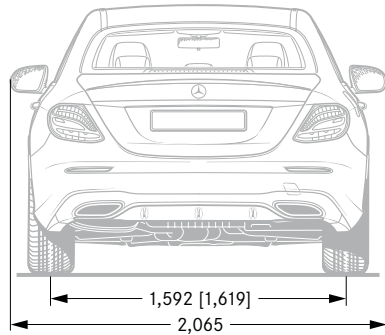
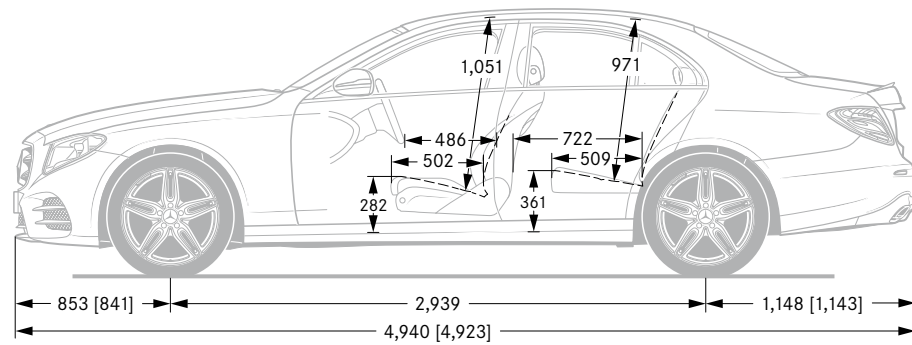
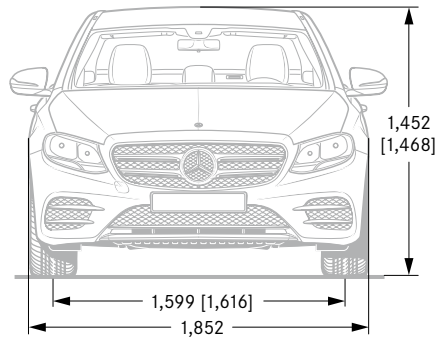


> Find a Retailer



> View the Range Guide

AMG Line [SE]





> Keep me updated

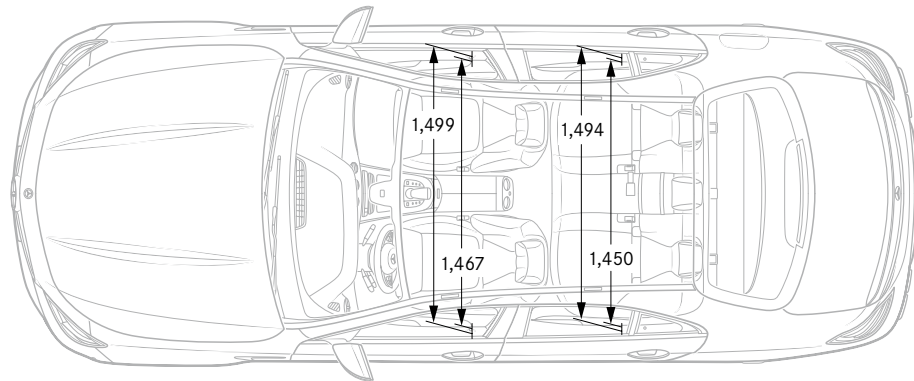
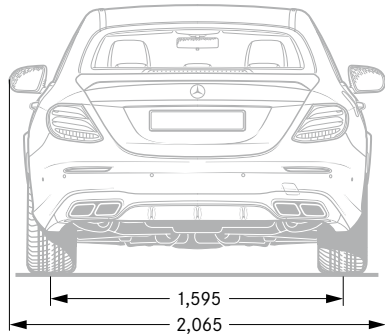
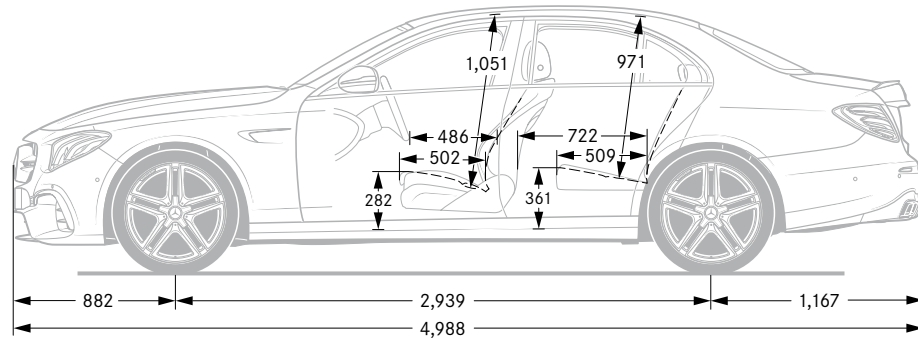
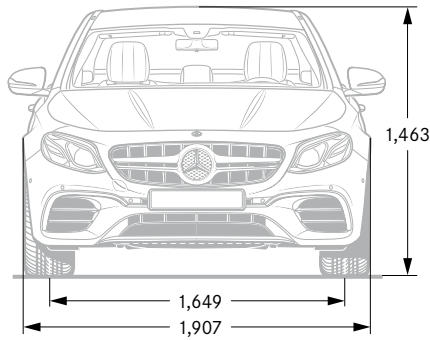


> Find a Retailer



> View the Range Guide

Mercedes-AMG E 63 S 4MATIC+



[Keep me updated](#)[Find a Retailer](#)[View the Range Guide](#)

Technical data - Estate

		Diesel engines				
Model		E 220 d	E 300 d	E 300 de	E 350 d	E 400 d 4MATIC
Engine						
Total displacement	cc	1,950	1,950	1,950	2,925	2,925
Arrangement/cylinders/valves		in-line/4/16	in-line/4/16	in-line/4/16	in-line/6/24	in-line/6/24
Fuel delivery		Common-rail diesel with twin scroll turbochargers	Common-rail diesel with twin scroll turbochargers	Common-rail diesel with twin scroll turbochargers	Common-rail diesel with twin scroll turbochargers	Common-rail diesel with twin scroll turbochargers
Power ¹	hp (kW) at rpm					
Combustion engine		194 (143)/3,800	245 (180)/4,200	194 (143)/3,800	286 (210)/3,400-4,600	340 (250)/3,600-4,400
Electric motor		–	–	122 (90)/2,500	–	–
System output		–	–	306 (225)/3,500-4,000	–	–
Torque ¹	Nm at rpm					
Combustion engine		400/1,600-2,800	500/1,600-2,400	400/1,600-2,800	600/1,200-3,200	700/1,200-3,200
Electric motor		–	–	440/0-2,000	–	–
System output		–	–	700/tba	–	–
Compression ratio		15.5:1	15.5:1	15.5:1	15.5:1	15.5:1
Equivalent All-Electric Range (EAER) ²	mi	–	–	29.8-27.9	–	–
Battery type/capacity	kWh	–	–	Lithium-ion/13.50	–	–
Power consumption, combined ²	Wh/km	–	–	244.0-260.0	–	–
AC charging time, 10-100% ³	h					
At a domestic socket ⁴		–	–	5.00	–	–
At a wallbox		–	–	1.25	–	–
Capacity on-board charger	kW	–	–	7.2	–	–

¹ Figures according to Directive 80/1269/EEC in the currently applicable version

² The indicated values were determined according to the prescribed measurement method - Worldwide Harmonised Light Vehicle Test Procedure (WLTP). Figures shown may include options which are not available in the UK.

For Plug-in Hybrid Electric Vehicle (PHEV) figures determined with the battery fully charged, using a combination of both battery power and fuel. These models require mains electricity for charging

³ Specified voltage and current values refer to network infrastructure and can be limited by the vehicle. Times are from 10-100% charge using a wallbox (three-phase) or standard socket (single-phase)

⁴ **If you are planning to charge your Mercedes-Benz plug-in electric vehicle using a 3-pin domestic plug socket you must get a qualified electrician to inspect and sign off the socket to confirm it is safe and suitable to charge your vehicle. Do not use an electric vehicle 3-pin charge cable with an extension cord.**

[Keep me updated](#)[Find a Retailer](#)[View the Range Guide](#)

		Diesel engines				
Model		E 220 d	E 300 d	E 300 de	E 350 d	E 400 d 4MATIC
Transmission						
9G-TRONIC PLUS 9-speed automatic		●	●	●	●	●
Performance						
Acceleration 0–62 mph	sec	7.7	6.5	6.0	5.7	5.1
Top speed, approx.	mph	146	155 ³	155 ³	155	155 ³
Weights and capacities						
Kerb weight ⁵	kg	1,815	1,840	2,140	1,935	1,995
Perm. GVW	kg	2,460	2,495	2,800	2,605	2,665
Load capacity	l	640–1,820	640–1,820	480–1,660	640–1,820	640–1,182
Towing capacity – unbraked		750	750	750	750	750
braked	kg	2,100	2,100	2,100	2,100	2,100
Fuel tank capacity/reserve	l	66/7	66/7	66/7	66/7	66/7
Turning circle	m	11.60	12	11.60	11.60	11.90

● Standard ○ Optional – Not available ³Electronically limited

⁵Figures according to Directive 92/21/EC (kerb weight with fuel tank 90% full, driver, 68 kg, and luggage, 7 kg) for standard-specification vehicles. Optional extras and accessories will generally increase this figure and reduce the payload capacity accordingly



> Keep me updated



> Find a Retailer



> View the Range Guide

Model	Diesel engines				
	E 220 d	E 300 d	E 300 de	E 350 d	E 400 d 4MATIC

Fuel consumption^{6,7,8}

Combined (consumption dependent on chosen optional equipment)	l/100 km	mpg	5.7-6.7 49.6-42.2	6.1-7.0 46.3-40.4	1.5-1.6 188.3-176.6	6.2-7.0 45.6-40.4	6.7-7.6 42.2-37.2
---	----------	-----	----------------------	----------------------	------------------------	----------------------	----------------------

CO₂ emissions^{7,8,*}

g/km

Emissions standard	EU6		EU6	EU6	EU6
17" 225/55 tyres	125	-	-	-	-
18" 245/45 tyres	-	-	42	-	-
19" 275/35 tyres	135	144	-	149	162
20" 275/30 tyres	135	144	-	149	162

Insurance group ratings

Base model - SE [AMG Line]	31 E [31E]	tba	tba	tba	tba
----------------------------	------------	-----	-----	-----	-----

Insurance ratings may vary depending on model line and specification. Please refer to <http://www.thatcham.org/abigrouprating/> for further details

⁶All figures are based on a standard specification with the smallest tyre size ⁷The choice of wheels and transmission may affect CO₂ emissions and corresponding Road Fund Licence

⁸The indicated values were determined according to the prescribed measurement method - Worldwide Harmonised Light Vehicle Test Procedure (WLTP). Figures shown may include options which are not available in the UK.

For Plug-in Hybrid Electric Vehicle (PHEV) figures determined with the battery fully charged, using a combination of both battery power and fuel. These models require mains electricity for charging

*CO₂ figures have been converted into NEDC-equivalent values for use with the current VED and BIK tax legislation

Figures shown are for comparability purposes; only compare with other cars tested to the same technical procedures. Figures may not reflect real life driving results, which will depend upon a number of factors including the starting charge of the battery, factory-fitted options, accessories fitted (post registration), variations in weather, driving styles and vehicle load. Further information about the test used to establish fuel consumption and CO₂ figures can be found at <http://www.mercedes-benz.co.uk/WLTP>



> Keep me updated



> Find a Retailer



> View the Range Guide

Model	Petrol engines		
	E 200	Mercedes-AMG E 53 4MATIC+	Mercedes-AMG E 63 S 4MATIC+

Engine				
Total displacement	cc	1,991	2,999	3,982
Arrangement/cylinders/valves		in-line/4/16	in-line/6/24	V/8/32
Fuel delivery		Electronically controlled direct injection with turbocharger	Electronically controlled direct injection with biturbo	Electronically controlled direct injection with biturbo
Power ¹	hp (kW) at rpm	184 (135)/5,500	435 (320)/6,100	612 (450)/5,750–6,500
Combustion engine		–	22 (16)	–
EQ Boost		–	–	–
Torque ¹	Nm at rpm	300/1,200–1,400	520/1,800–5,800	850/2,500–4,500
Combustion engine		–	250	–
EQ Boost		–	–	–
Compression ratio		9.8:1	10.5:1	8.6:1

Transmission				
9G-TRONIC PLUS 9-speed automatic		●	–	–
AMG SPEEDSHIFT MCT 9-speed sport auto.		–	–	●
AMG SPEEDSHIFT TCT 9-speed transmission		–	●	–

[Keep me updated](#)[Find a Retailer](#)[View the Range Guide](#)

Model	Petrol engines		
	E 200	Mercedes-AMG E 53 4MATIC+	Mercedes-AMG E 63 S 4MATIC+

Performance				
Acceleration 0–62 mph	sec	8.1	4.5	3.5
Top speed, approx.	mph	144	155 ²	186 ²

Weights and capacities				
Kerb weight ³	kg	1,725	2,020	2,070
Perm. GVW	kg	2,390	2,585	2,665
Load capacity	l	640–1,820	–	640–1,820
Towing capacity – unbraked braked		750	750	–
	kg	2,100	1,900	
Fuel tank capacity/reserve	l	66/7	66/7	66/7
Turning circle	m	11.60	12.50	12.50

Fuel consumption ^{4,5,6}				
Combined (consumption dependent on chosen optional equipment)	l/100km	7.7–9.0	9.1–9.6	12.1–12.5
	mpg	36.7–31.4	31.0–29.4	23.3–22.6

²Electronically limited³Figures according to Directive 92/21/EC (kerb weight with fuel tank 90% full, driver, 68 kg, and luggage, 7 kg) for standard-specification vehicles. Optional extras and accessories will generally increase this figure and reduce the payload capacity accordingly⁴All figures are based on a standard specification with the smallest tyre size



> Keep me updated



> Find a Retailer



> View the Range Guide

Model	Petrol engines		
		E 200	Mercedes-AMG E 53 4MATIC+

CO ₂ emissions ^{5,6,*}	g/km		
Emissions standard	EU6	EU6	EU6
19" 275/35 tyres	172	200	-
20" 275/30 tyres	-	203	246

Insurance group ratings

Base model – SE [AMG Line]	28E [30E]	tba	47E (48E ⁶)
----------------------------	-----------	-----	-------------------------

Insurance ratings may vary depending on model line and specification. Please refer to <http://www.thatcham.org/abigrouprating/> for further details

⁵The choice of wheels and transmission may affect CO₂ emissions and corresponding Road Fund Licence

⁶The indicated values were determined according to the prescribed measurement method – Worldwide Harmonised Light Vehicle Test Procedure (WLTP). Figures shown may include options which are not available in the UK

*CO₂ figures have been converted into NEDC-equivalent values for use with the current VED and BIK tax legislation

Figures shown are for comparability purposes; only compare with other cars tested to the same technical procedures. Figures may not reflect real life driving results, which will depend upon a number of factors including the starting charge of the battery, factory-fitted options, accessories fitted (post registration), variations in weather, driving styles and vehicle load. Further information about the test used to establish fuel consumption and CO₂ figures can be found at <http://www.mercedes-benz.co.uk/WLTP>



> Keep me updated

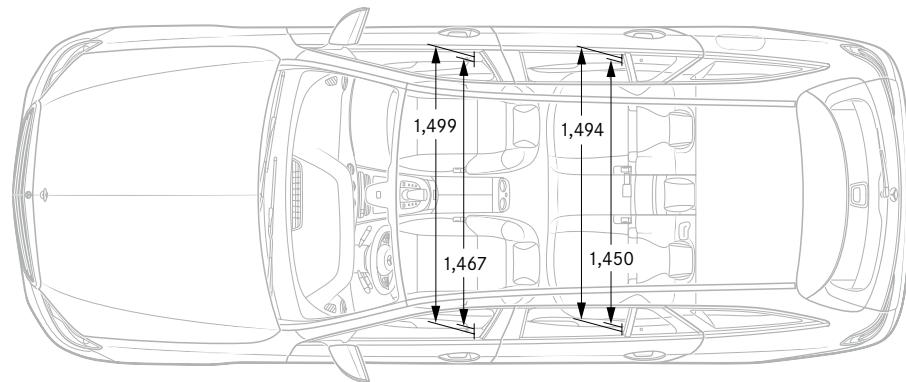
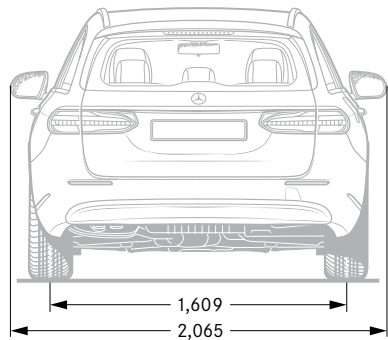
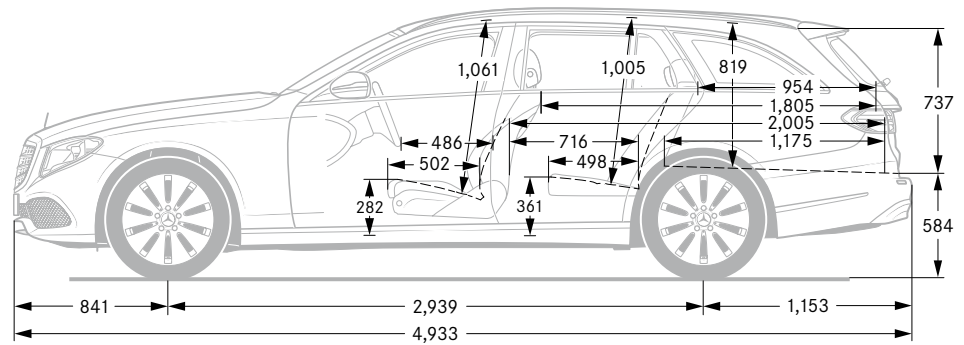
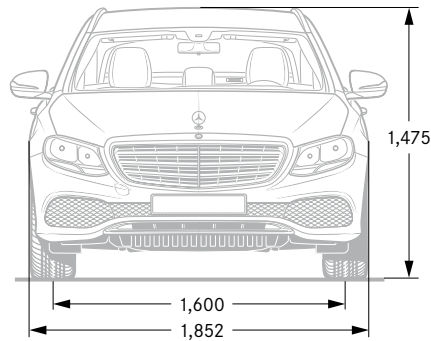


> Find a Retailer



> View the Range Guide

SE





> Keep me updated

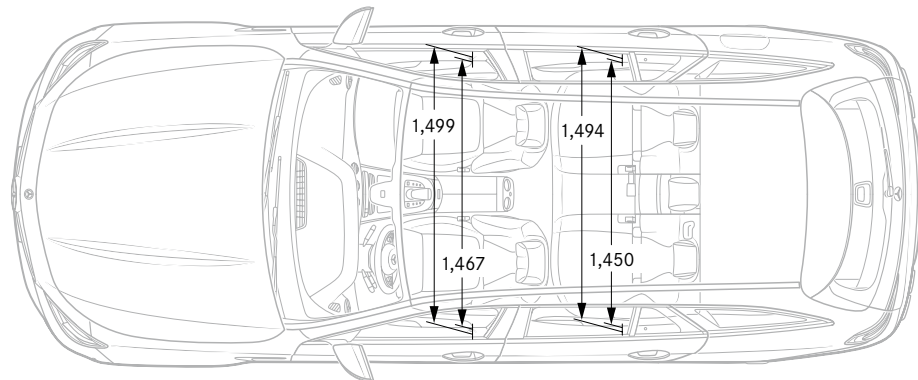
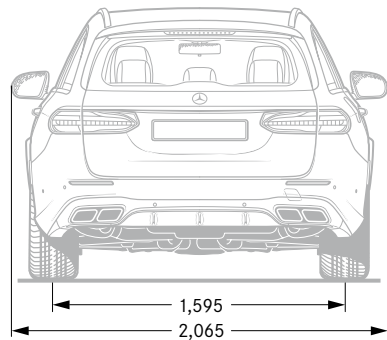
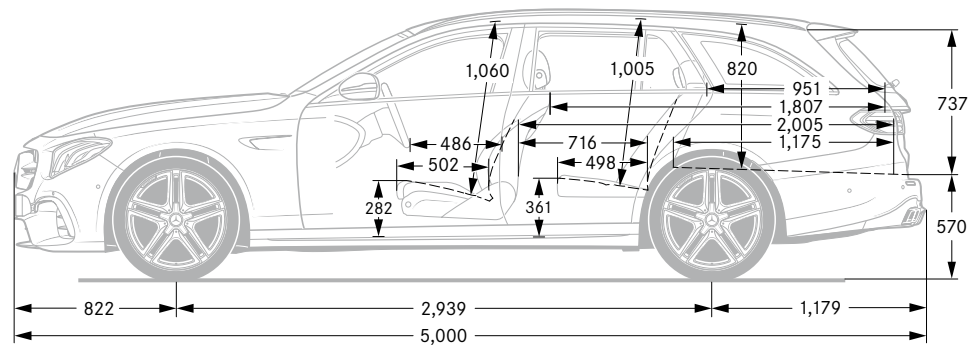
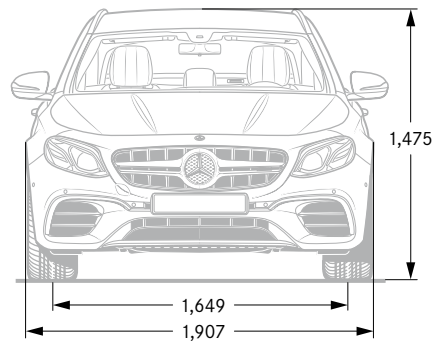


> Find a Retailer



> View the Range Guide

Mercedes-AMG E 63 S 4MATIC+





> Keep me updated



> Find a Retailer



> View the Range Guide

Technical data - All-Terrain Edition

Model	Diesel engine
	E 400 d 4MATIC

Engine	
Total displacement	cc 2,925
Arrangement/cylinders/valves	in-line/6/24
Fuel delivery	Common-rail diesel with turbocharger
Power ¹	hp (kW) at rpm 340 (250)/3,600-4000
Torque ¹	Nm at rpm 700/1,200-3,200
Compression ratio	15.5:1

Transmission	
9G-TRONIC PLUS 9-speed auto.	Standard

Tyre sizes	
Front	245/40 R20
Rear	275/35 R20

Performance	
Acceleration 0-62 mph	sec 5.4
Top speed, approx.	mph 155 ²

Model	Diesel engine
	E 400 d 4MATIC

Weights and capacities		
Kerb weight ³	kg	2,055
Perm. GVW	kg	2,690
Load capacity	l	640-1,820
Towing capacity - unbraked		750
braked	kg	2,100
Fuel tank capacity/reserve	l	66/7
Turning circle	m	11.90

Fuel consumption^{4,5,6}		
Combined (consumption dependent on chosen optional equipment)	l/100 km mpg	7.3-7.8 38.7-36.2

CO₂ emissions^{5,6,*}	
	g/km
Emissions standard	EU6
20" 275/35 tyres	168

Insurance group ratings	
Insurance ratings may vary depending on model line and specification. Please refer to http://www.thatcham.org/abigrouprating/ for further details	

¹Figures according to Directive 80/1269/EEC in the currently applicable version ²Electronically limited

³Figures according to Directive 92/21/EC (kerb weight with fuel tank 90% full, driver, 68 kg, and luggage, 7 kg) for standard-specification vehicles. Optional extras and accessories will generally increase this figure and reduce the payload capacity accordingly

⁴All figures are based on a standard specification with the smallest tyre size ⁵The choice of wheels and transmission may affect CO₂ emissions and corresponding Road Fund Licence

⁶The indicated values were determined according to the prescribed measurement method - Worldwide Harmonised Light Vehicle Test Procedure (WLTP). Figures shown may include options which are not available in the UK

*CO₂ figures have been converted into NEDC-equivalent values for use with the current VED and BIK tax legislation

Figures shown are for comparability purposes; only compare with other cars tested to the same technical procedures. Figures may not reflect real life driving results, which will depend upon a number of factors including factory-fitted options, accessories fitted (post registration), variations in weather, driving styles and vehicle load. Further information about the test used to establish fuel consumption and CO₂ figures can be found at <http://www.mercedes-benz.co.uk/WLTP>



> Keep me updated

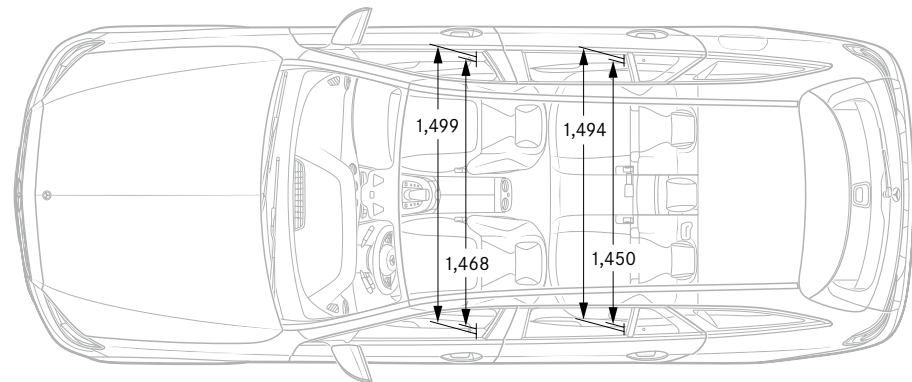
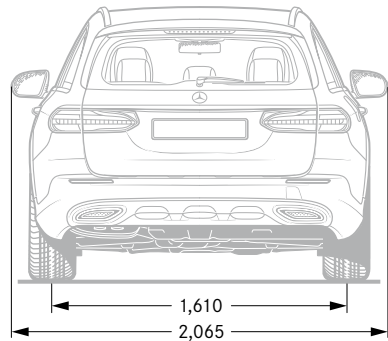
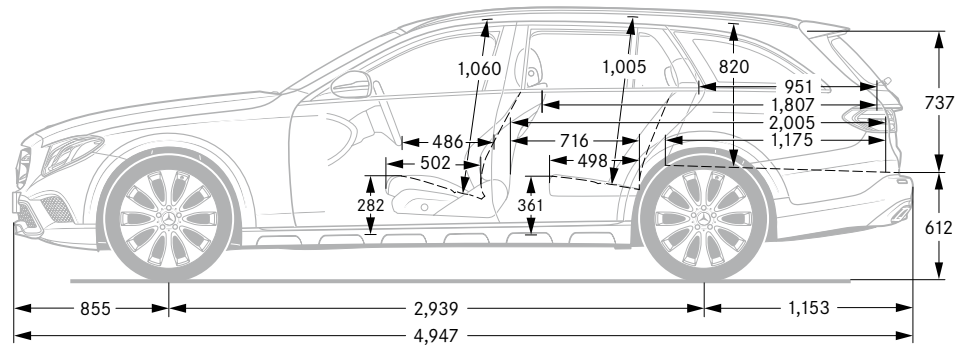
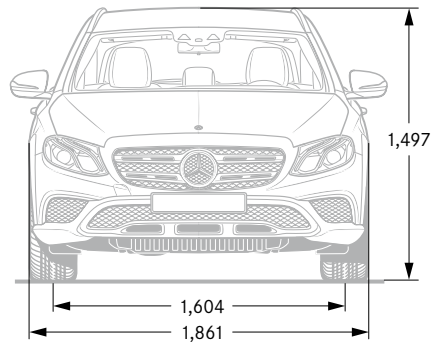


> Find a Retailer



> View the Range Guide

E 400 d 4MATIC All-Terrain Edition





> Keep me updated



> Find a Retailer



> View the Range Guide

Road Fund Licence



All road vehicle registrations are subject to Vehicle Excise Duty (Road Fund Licence), which varies in accordance with the vehicle's CO₂ emissions. A first year rate for each taxation band will apply. The table below shows the bands (A–M) created by the DVLA and the corresponding Road Fund Licence. CO₂ emissions are listed in the technical data on pages 78, 86 and 92, and the relevant Excise Duty is reflected in the on-the-road prices on pages 46–51.

Band	CO ₂ emissions (g/km)	First year rate petrol and RDE2 diesel (£)	First year rate all other diesel (£) ¹	First year rate alternative fuel (£)	Standard rate (£)	Premium rate (£) ²
A	0	0.00	0.00	0.00	0.00	320.00
B	1 to 50	10.00	25.00	0.00	145.00	465.00
C	51 to 75	25.00	110.00	15.00	145.00	465.00
D	76 to 90	110.00	130.00	100.00	145.00	465.00
E	91 to 100	130.00	150.00	120.00	145.00	465.00
F	101 to 110	150.00	170.00	140.00	145.00	465.00
G	111 to 130	170.00	210.00	160.00	145.00	465.00
H	131 to 150	210.00	530.00	200.00	145.00	465.00
I	151 to 170	530.00	855.00	520.00	145.00	465.00
J	171 to 190	855.00	1,280.00	845.00	145.00	465.00
K	191 to 225	1,280.00	1,815.00	1,270.00	145.00	465.00
L	226 to 255	1,815.00	2,135.00	1,805.00	145.00	465.00
M	over 255	2,135.00	2,135.00	2,125.00	145.00	465.00

¹Applies to all Mercedes-Benz diesel models which do not comply with Real Driving Emissions step 2 (RDE2)

²Premium rate only applicable to vehicles where the list price is over £40,000 including any factory-fitted options, standard UK delivery charge, number plates, fuel and VAT



> Keep me updated



> Find a Retailer



> View the Range Guide

Services and insurance

Mercedes-Benz ServiceCare

We believe that servicing costs should be as flexible and affordable as possible for your E-Class, which is why we offer ServiceCare, an easy way to budget for all your servicing costs. It spreads your bills into manageable payments based on whether you have a new or used Mercedes-Benz.

With ServiceCare we guarantee the price of parts and labour for up to four services and safeguard against any further inflation. It also covers the cost of all recommended service items including brake fluid, spark plugs, air filters, fuel filters and screen wash.

You can choose either to add your servicing costs into your monthly spend or pay the full amount in a one-off payment, giving you peace of mind that they are taken care of for the period of the plan.

To receive a personalised ServiceCare plan recommendation visit the ServiceCare Calculator at servicecarerates.mercedes-benz.co.uk

Warranty and breakdown cover

Every Mercedes-Benz comes with a three-year unlimited mileage warranty against manufacturing or material defects¹ and up to 30 years warranty against perforation due to corrosion from the inside out.² What's more, it's also covered by Mercedes-Benz Roadside Assistance – a unique package comprising up to 30 years pan-European breakdown assistance.²

Motor Insurance

Superb cover comes as standard. When reviewed by an independent research company, Defaqto, Mercedes-Benz Motor Insurance received a five-star rating, the highest rating available. We design our Motor Insurance specifically for Mercedes-Benz drivers.

For more information or to obtain a quote, click [here](#).



Mercedes-Benz Finance

Why should you finance with Mercedes-Benz?

At Mercedes-Benz we believe a great driving experience should be matched by an equally great ownership experience. That is why we put just as much thought, time and effort into designing our finance options, our service plans and our insurance cover as we do into our vehicles.

We are not in the business of simply providing a loan to fund the purchase of your dream vehicle. We look on it as a journey that we take with you, from the moment you choose your new Mercedes-Benz, to helping you in choosing your next one.

If you would like to find out more about any of our current offers, simply call into your local Mercedes-Benz Retailer where one of our Business Managers will be more than happy to talk you through anything you need to know.

Helping you find the right solution.

You should find our finance packages are more convenient than a traditional personal loan because:

- Funds are immediately available – no waiting for cheques or loans to clear.
- There is no security required – either against your home or other assets.
- We have clear and transparent rates – the APR we quote is the APR you get.
- We have friendly Business Managers – experts in vehicle finance who can talk you through all of your plans in detail.

One of our most popular finance products is Mercedes-Benz Agility (our Personal Contract Purchase product). We also offer Contract Hire, Operating Lease and Hire Purchase solutions. If you would like to find out more about these speak to your Retailer or visit www.mercedes-benz.co.uk/fandi.

Mercedes-Benz Agility (our PCP product).

At the start of an Agility agreement, you put down a deposit and decide the term of your agreement and your annual mileage. You will be advised of the Guaranteed Future Value, which offers you the reassurance of knowing exactly what you will need to pay to own the vehicle outright in the future (this is known as the Optional Purchase Payment).

Throughout your agreement you simply pay your agreed monthly payments and when the agreement comes to an end you either purchase, hand back or part-exchange your vehicle.





> Keep me updated



> Find a Retailer



> View the Range Guide

Agility features:

- Fixed regular payments mean you can easily budget.
- Payments are based only on a proportion of the vehicle's value, keeping your monthly payments lower.
- Our Guaranteed Future Value avoids the risk of unplanned depreciation of your vehicle.
- You defer your ownership decision until the end of the agreement.

At the end of your agreement you have three options to choose from.

Option 1: Purchase your Mercedes-Benz.

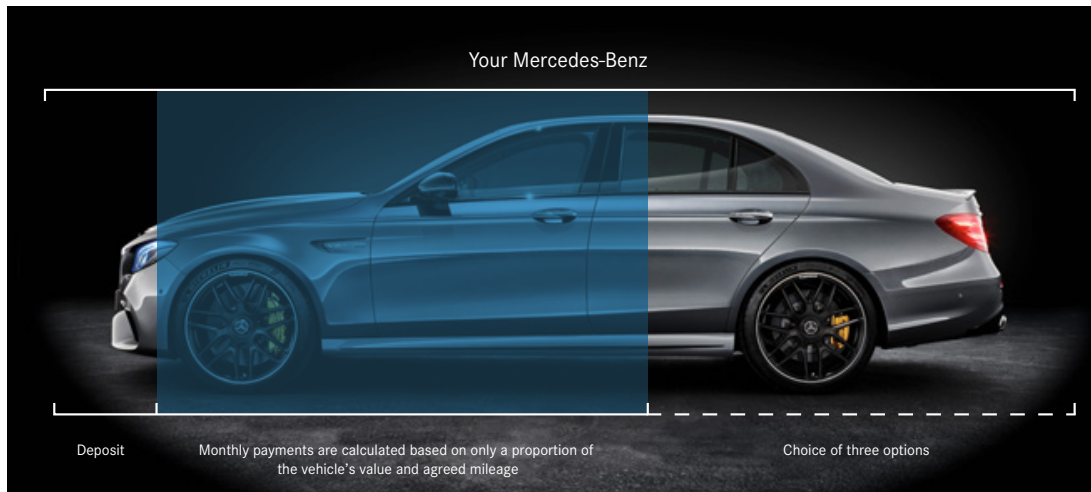
Purchase your Mercedes-Benz by paying the Optional Purchase Payment and Purchase Activation Fee.¹ This will complete the purchase of your Mercedes-Benz, leaving you free to simply enjoy your vehicle.

Option 2: Hand back your Mercedes-Benz.

If you decide to return your vehicle to us, it must be in line with our Vehicle Return Standards,^{*} as vehicle condition, excess mileage and other charges may be payable.

Option 3: Part-Exchange for a new vehicle.

Purchase your Mercedes-Benz by paying the Optional Purchase Payment and Purchase Activation Fee.¹ This will complete the purchase of your Mercedes-Benz, leaving you free to part-exchange for a new vehicle.



¹Please note the 'Purchase Activation Fee' of £10 will be debited from your account *To find out more information about our Vehicle Return Standards please visit <http://mercedes-benz.co.uk/vrs>



> Keep me updated





> Find a Retailer





> View the Range Guide

Follow us on the following social media channels:

 facebook.com/mercedesbenzuk

 twitter.com/mercedesbenzuk

 youtube.com/mercedesbenzuk

 instagram.com/mercedesbenzuk

Effective from December 20 19 Production. Information correct at time of publication.

Prices and specifications are subject to change without prior notice.

MBWSX213PL/1119 MY800.5

Mercedes-Benz Cars UK Limited, Tongwell, Milton Keynes, MK15 8BA. Company number 2448457 www.mercedes-benz.co.uk