



[Book a test drive > AMG](#)



[View offers](#)



[Find a Retailer](#)



[View the Range Guide](#)

G-Class



Effective from December 2019 Production.

Mercedes-Benz





Book a test drive > AMG



> View offers



> Find a Retailer



> View the Range Guide

Contents

11 G 350d AMG Line

15 Premium equipment line

16 Mercedes-AMG G 63

20 Mercedes-AMG driver training

21 Standard equipment

27 Driving Assistance package

28 Wheels

31 Night packages

33 G manufaktur black-painted roof

34 Rear Seat Entertainment package

35 Winter package

36 Optional equipment

37 Colours and materials

42 Steering wheels

43 Upholstery packages

48 Genuine Accessories

50 Technical data

55 Road Fund Licence

56 Services and insurance

57 Mercedes me

58 Mercedes-Benz Finance



[Book a test drive > AMG](#)



[View offers](#)



[Find a Retailer](#)



[View the Range Guide](#)

#STRONGERTHANTIME

3



Model features optional equipment at an additional cost



Book a test drive > AMG



> View offers



> Find a Retailer



> View the Range Guide



TIMELESS DESIGN.

Model features optional equipment at an additional cost



[Book a test drive > AMG](#)



[View offers >](#)



[Find a Retailer >](#)



[View the Range Guide >](#)

ICONIC.

5



Model features optional equipment at an additional cost



[Book a test drive > AMG](#)



[> View offers](#)



[> Find a Retailer](#)



[> View the Range Guide](#)



ULTIMATE OFFROADER.

Model features optional equipment at an additional cost



Book a test drive > AMG



> View offers



> Find a Retailer



> View the Range Guide

7

HAND-CRAFTED INTERIOR.



[Book a test drive > AMG](#)



[> View offers](#)



[> Find a Retailer](#)



[> View the Range Guide](#)

8

We are G-Class.

A claim that visitors to the production facility in Graz will hear often. The G-Class has been hand-built here for the last 35 years – filling everyone involved with pride. The variety of models necessitates to this day a manual process on just one production line. From a range of more than 10,000 individual parts, experienced technicians therefore select the 3000 or so that they need, which they then assemble with exemplary care to create a new G-Class. Only after more than 100 man-hours of work – almost three times as much as for a machine-produced vehicle – will a G-Class leave its place of origin.



[Book a test drive > AMG](#)



[View offers](#)



[Find a Retailer](#)



[View the Range Guide](#)





Book a test drive > AMG



> View offers



> Find a Retailer



> View the Range Guide

10

Tried, tested and Schöckl-proof.

Boulders protruding half a metre out of the track. Massive tree roots breaking through the surface. The sort of terrain that would defeat any other vehicle. Welcome to the 'Schöckl' mountain. During the ongoing process of development, a G-Class must survive several thousand kilometres or more on the company's own test track. Only once the axles, frame, bodyshell, drive train and major assemblies are proven to hold out longer than their drivers, will we certify them as 'Schöckl-proof and ready for series production'.



Book a test drive > AMG



> View offers



> Find a Retailer



> View the Range Guide

G 350 d AMG Line



G 350 d AMG Line

Diesel – 2,925 cc, 6-cylinder, 286 hp/210 kW,
9G-TRONIC transmission,
CO₂ 252 g/km^{1,*}

**Basic RRP
excl. VAT**
£77,708.33

**Total RRP
incl. VAT**
£93,250.00

**Road Fund
Licence²**
£2,135.00

**Rec. OTR
price³**
£96,180.00

**P11D
value**
£93,990.00

**BiK tax rate
2019/20**
37%

¹The indicated values were determined according to the prescribed measurement method – Worldwide Harmonised Light Vehicle Test Procedure (WLTP). Figures shown may include options which are not available in the UK

^{*}CO₂ figures have been converted into NEDC-equivalent values for use with the current VED and BIK tax legislation

Figures shown are for comparability purposes; only compare with other cars tested to the same technical procedures. Figures may not reflect real life driving results, which will depend upon a number of factors including factory-fitted options, accessories fitted (post registration), variations in weather, driving styles and vehicle load. Further information about the test used to establish fuel consumption and CO₂ figures can be found at <http://www.mercedes-benz.co.uk/WLTP>

²A different first year rate of Vehicle Excise Duty (Road Fund Licence) applies for new cars. Please refer to page 55 for the relevant rate for the second and subsequent years

³The recommended on-the-road price includes the Road Fund Licence applicable to the standard model plus delivery charge (£715.00 incl. VAT), new vehicle registration fee (£55.00) and number plates (£25.00 incl. VAT). VAT is calculated at the standard rate of 20%



[Book a test drive > AMG](#)



[View offers](#)



[Find a Retailer](#)



[View the Range Guide](#)

G 350 d AMG Line

12



Optional features shown: designo platinum magno paint (code 051)



Book a test drive > AMG



> View offers



> Find a Retailer



> View the Range Guide



G 350 d AMG Line

13

Options shown: AMG carbon-fibre trim (code ZG6), designo nappa leather in black (code 801A)





Outstanding, both on and off the road: the G 350 d is as striking on the outside as it is on the inside. With the Chrome and Exterior Styling packages the legendary design is further enhanced. 20" AMG alloy wheels and metallic paint add to this impressive look. The radiator grille with chrome trim elements and the distinctive LED high performance headlamps make for a powerful final touch.

On the inside, you'll find cutting-edge technology with the AMG dual bonded widescreen cockpit displays, Smartphone Integration and KEYLESS-GO. Stay comfortable wherever you go with heated front and rear seats in addition to the THERMOTRONIC three-zone climate control. Adjustable ambient lighting in eight colours perfectly illuminates the bold AMG leather interior.

Exterior

Chrome package and Exterior Styling package
20" AMG alloy wheels – multi-spoke design, painted black with a high-sheen finish, 275/50 tyres
Heat insulating dark tinted glass
LED high performance headlamps
Metallic paint
Radiator grille with chrome trim elements
Side running boards
Trailer coupling with ball-type head
Underguard

Interior

Ambient lighting – choice of 8 colour settings
Dual-bonded widescreen cockpit displays (12.3-inch)
AMG floor mats with 'AMG' lettering
AMG Line leather interior
COMAND Online system with 12.3-inch media display
Heated front and rear seats
KEYLESS-GO starting function
Smartphone Integration consisting of Apple CarPlay™ and Android Auto
THERMOTRONIC three-zone climate control

Trim and Upholstery

Open-pore natural walnut wood



AMG Line leather – black



AMG Line leather – nut brown/black



AMG Line leather – macchiato beige/black





Premium equipment line



The G-Class is here to answer individual needs – and to exceed expectations. So if you wish to add more advanced technology to assist you, or if you would like even more relaxing or entertaining features, take a look at the Premium equipment line.

Premium equipment line – designed and priced as a package, including items listed below. Standard on Mercedes-AMG G 63.

G 350 d

Total incl. VAT £5,995.00

Premium equipment line (code DP0)

Ambient lighting with 64 colours

Burmester® surround sound system

Electric sunroof – sliding, with one-touch opening

Ionisation of interior air, including fine-particle activated charcoal filter system

MULTIBEAM LED headlights

Parking package with 360° camera

Suspension with adaptive damping adjustment

Model	Recommended OTR price (£) ¹	
	AMG Line	AMG Line Premium
G 350 d	96,180.00	102,175.00

¹The recommended on-the-road price includes the Road Fund Licence applicable to the standard model plus delivery charge (£715.00 incl. VAT), new vehicle registration fee (£55.00) and number plates (£25.00 incl. VAT). VAT is calculated at the standard rate of 20%



Book a test drive > AMG



> View offers



> Find a Retailer



> View the Range Guide

Mercedes-AMG G 63



Mercedes-AMG G 63

Petrol – 3,982 cc, 8-cylinder, 585 hp/430 kW,
AMG SPEEDSHIFT PLUS 9G-TRONIC transmission,
CO₂ 299 g/km^{1,*}

**Basic RRP
excl. VAT**

£119,600.00

**Total RRP
incl. VAT**

£143,520.00

**Road Fund
Licence²**

£2,135.00

**Rec. OTR
price³**

£146,450.00

**P11D
value**

£144,260.00

**BiK tax rate
2019/20**

37%

¹The indicated values were determined according to the prescribed measurement method – Worldwide Harmonised Light Vehicle Test Procedure (WLTP). Figures shown may include options which are not available in the UK

^{*}CO₂ figures have been converted into NEDC-equivalent values for use with the current VED and BIK tax legislation

Figures shown are for comparability purposes; only compare with other cars tested to the same technical procedures. Figures may not reflect real life driving results, which will depend upon a number of factors including factory-fitted options, accessories fitted (post registration), variations in weather, driving styles and vehicle load. Further information about the test used to establish fuel consumption and CO₂ figures can be found at <http://www.mercedes-benz.co.uk/WLTP>

²A different first year rate of Vehicle Excise Duty (Road Fund Licence) applies for new cars. Please refer to page 55 for the relevant rate for the second and subsequent years

³The recommended on-the-road price includes the Road Fund Licence applicable to the standard model plus delivery charge (£715.00 incl. VAT), new vehicle registration fee (£55.00) and number plates (£25.00 incl. VAT). VAT is calculated at the standard rate of 20%



[Book a test drive > AMG](#)



[View offers](#)



[Find a Retailer](#)



[View the Range Guide](#)

Mercedes-AMG G 63

17



Optional features shown: AMG Night package (code NP1) including 22" forged cross-spoke alloy wheels (code RG4); obsidian black metallic paint (code 197)



Book a test drive > AMG



> View offers



> Find a Retailer



> View the Range Guide





Producing 585 hp (430 kW) and 850Nm of torque with its AMG biturbo V8, there is no stopping this mighty Mercedes-AMG. It strikes a commanding pose with the Panamericana-inspired grille framed by MULTIBEAM LED headlights, while the side skirts feature an AMG sports exhaust system with chrome-trimmed twin tailpipes on each side. The Chrome package and Exterior Styling package, 20" AMG 10-spoke alloy wheels with titanium grey finish and 275/50 tyres against the AMG red brake calipers complete the

bold appearance. Step inside, and you're greeted by illuminated AMG door sill panels with 'AMG' lettering. The AMG Performance steering wheel and AMG sports seats are fitted with AMG nappa leather accompanied by designo black piano lacquer trim. For all your advanced multimedia needs, there are dual 12.3-inch bonded widescreen cockpit displays, and the COMAND Online system which connects to the Burmester® surround sound system for the ultimate audio experience.

Exterior

- Chrome package and Exterior Styling package
- 20" AMG alloy wheels – 10-spoke design, titanium grey high-sheen finish, 275/50 tyres
- AMG-specific radiator grille
- AMG red brake calipers
- AMG RIDE CONTROL suspension with DYNAMIC SELECT
- AMG sports exhaust system with chrome-trimmed twin tailpipes
- Electric sunroof – sliding, with one-touch opening
- Metallic paint
- MULTIBEAM LED headlights with Adaptive Highbeam Assist Plus
- Privacy glass
- Trailer coupling with ball-type head

Interior

- Ambient lighting – choice of 64 colour settings
- AMG dual bonded widescreen cockpit displays (12.3-inch)
- AMG floor mats with 'AMG' lettering
- AMG Performance steering wheel in nappa leather
- AMG sports seats in AMG nappa leather single tone interior
- AMG-specific IWC-design analogue clock
- AMG steering-wheel buttons
- Burmester® surround sound system
- COMAND Online system with 12.3-inch media display
- Illuminated AMG door sill panels with 'AMG' lettering at front and rear
- Smartphone Integration consisting of Apple CarPlay™ and Android Auto

Trim and Upholstery

- designo black piano lacquer
- AMG nappa leather – black
- AMG nappa leather – classic red/black
- AMG nappa leather – macchiato beige/black
- AMG nappa leather – saddle brown/black
- AMG nappa leather – truffle brown/black



Become the AMG expert

Unleash a new level of performance.

All Mercedes-AMG customers are invited to a complimentary adrenaline-packed driving experience, under the guidance of our driving specialists at Mercedes-Benz World.



Discover AMG at Mercedes-Benz World

- Individually tailored to your ability
- No previous track experience necessary
- See how well an AMG performs when pushed to its limits
- Put your theoretical driving knowledge to the test on a real track
- Understand the cause and effect of understeer, oversteer drift, collision avoidance and track etiquette
- Get to grips with the Mercedes-Benz World's purpose-built track and dynamic driving facilities

TERMS AND CONDITIONS

The following customers only are eligible: the first purchaser/registered keeper of a newly registered Mercedes-AMG. The complimentary Training as described in the brochure must be booked and taken within six months of delivery of your Mercedes-AMG. The Training is available Monday to Friday and is subject to availability. Requests for Saturday and Sunday will incur an additional charge. Upgrades are available for an additional cost: details upon request. Transferable to individuals who reside at the same postal address only. Mercedes-Benz Cars UK Limited reserves the right to amend or withdraw this Training experience. Attendees must hold a full UK driving licence. Attendees will be required to sign the Mercedes-Benz World Driving Risk Acknowledgement prior to undertaking the Training experience. The Training experience is also subject to the Mercedes-Benz World Terms and Conditions, as applicable. Invitation is emailed to the customer post-delivery. Permission via the customer contact preferences must be given to enable Mercedes-Benz World to contact. Retailer demonstrator vehicles are not eligible.



Book a test drive > AMG



> View offers



> Find a Retailer



> View the Range Guide

Standard equipment



Sequentially lockable differentials



Dual-bonded widescreen cockpit display (12.3-inch)



THERMOTRONIC - three-zone automatic climate control



Heated front memory seats



Ambient lighting: 8 colours (G 350 d)/64 colours (Mercedes-AMG G 63)



Split-fold rear seats (2/3, 1/3)



Item	G 350 d	Mercedes-AMG G 63
Transmission and Suspension		
4MATIC permanent four-wheel drive with three 100% locking differentials Complimentary differential oil change required after first 1,800 miles	●	●
9G-TRONIC transmission with cruise control and variable speed limiter	●	-
AGILITY CONTROL suspension with selective passive damping system	●	-
AMG high-performance braking system with internally ventilated and perforated brake discs measuring 400 × 38 mm at the front, 370 × 22 mm at the rear	-	●
AMG RIDE CONTROL suspension with three settings: 'C' (Comfort), 'S' (Sport) and 'S+' (Sport Plus) accessible via DYNAMIC SELECT	-	●
AMG SPEEDSHIFT 9G-TRONIC sports transmission with cruise control and variable speed limiter	-	●
DYNAMIC SELECT with ECO start/stop function and four transmission modes: 'C' (Comfort), 'S' (Sport), 'I' (Individual) and 'E' (Eco)	●	-
DYNAMIC SELECT with ECO start/stop function and four transmission modes: 'C' (Comfort), 'S' (Sport), 'S+' (Sport Plus) and 'M' (Manual)	-	●

Item	G 350 d	Mercedes-AMG G 63
Exterior		
Exterior Styling package Exterior protective strip with trim insert in black stripe-effect finish Rear sill protector in stainless steel, grooved Running boards left and right Spare wheel cover in stainless steel with three-dimensional Mercedes-Benz star	●	●
Parking package with 360° camera	△	●
Parking package with reversing camera	●	-
AMG bodystyling with exclusive Mercedes-AMG G 63 front aprons with cooling air intakes and AMG flared wheel arches in vehicle colour	-	●
AMG bodystyling with flared wheel arches in vehicle colour	●	-
AMG brake calipers, painted red	-	●
AMG-specific radiator grille with AMG logo	-	●
AMG performance exhaust system, selectable and two chrome-trimmed twin tailpipes, left and right	-	●
Adaptive Highbeam Assist Plus – the driver is free to concentrate on the traffic without constantly having to select between low and high beam	△	●
Ambient lighting with projection of brand logo	●	●
Brake calipers with 'Mercedes-Benz' lettering	●	-
Bumpers – painted in body colour, front and rear	●	●
Diesel particulate filter	●	-
Differential locks (transfer case, front and rear axle)	●	●



Item	G 350 d	Mercedes-AMG G 63
Exterior (continued)		
Door mirrors – electrically adjustable and heated Integrated indicators, front area lighting and automatically dimming driver’s mirror	●	●
Electric sunroof – sliding, with one-touch opening	△	●
Exterior protective strip with trim insert in black	–	●
Exterior protective strip with trim insert in brushed aluminium	●	–
LED High Performance Headlights	●	–
Low range gear reduction (electronically selectable while driving)	●	●
MULTIBEAM LED headlights enable continuous main beam without dazzling other road users Individually-controlled LEDs precisely mask out other vehicles and at the same time illuminate the surroundings in light which is almost as bright as daylight	△	●
Parking-assistance PARKTRONIC	●	●
Petrol particulate filter	–	●
Privacy glass – dark grey-tinted glass for tailgate and rear side windows	●	●
Radiator grille with chrome trim elements	●	–
Rain-sensing wipers	●	●
Tail lights featuring LED technology	●	●
Trailer coupling with ESP® trailer stabilisation	●	●
Underguard	●	–
‘V8 BITURBO’ lettering	–	●

Item	G 350 d	Mercedes-AMG G 63
Interior		
Stowage Space package – including removable double cup holder in centre console, bottle holders in door pockets, map pockets on back of front seats, and glasses compartment in overhead control panel	●	●
12V sockets in centre console, rear and load compartment	●	●
Ambient lighting – 8 colours	●	–
Ambient lighting – 64 colours	△	●
AMG door sill panels in brushed stainless steel, illuminated	–	●
AMG floor mats with ‘AMG’ lettering	●	●
AMG instrument cluster with dual bonded 12.3" widescreen displays	–	●
AMG-specific IWC-design analogue clock	–	●
Automatically dimming rear-view mirror	●	●
Centre armrest between front seats with integrated stowage compartment	●	●
Cup holders – front (2) and rear (2)	●	●
Dashboard – leather-covered	●	●
Electric windows (4)	●	●
Front seats – heated and electrically adjustable Memory function for seats, head restraints, exterior mirrors and steering wheel	●	●
Ionisation of interior air including fine-particle activated charcoal filter system	△	●



Item	Mercedes-AMG G 63	
	G 350 d	
Interior (continued)		
KEYLESS-GO starting function	●	●
Luggage compartment cover	●	●
Luggage protection net	●	●
Rear bench seat – split folding 1/3:2/3	●	●
Rear seats – heated	●	●
Seat belts – 3-point design in black	●	●
Seat belt pre-tensioners (4)	●	●
Stainless steel door sill panels, set of four, illuminated, with 'Mercedes-Benz' lettering at the front	●	–
THERMOTRONIC automatic climate control with three climate zones and three climate styles: Medium, Diffuse and Focused	●	●
Widescreen cockpit with dual bonded 12.3" widescreen displays	●	–

Item	Mercedes-AMG G 63	
	G 350 d	
Steering		
AMG Performance steering wheel in nappa leather – 3-spoke design with flattened bottom section, trim in silver chrome, 'AMG' lettering, silver-coloured aluminium gear shift paddles and 12 o'clock marking	–	●
AMG steering-wheel buttons	–	●
Heated steering wheel	△	○
Multifunction sports steering wheel in nappa leather – 3-spoke design with flattened bottom section, trim and gear shift paddles in silver chrome and Touch Control buttons	●	–
Steering column – electrically adjustable for rake and reach, with automatic adjustment for entry/exit	●	●
Paint, Trim and Upholstery		
Paint – metallic	●	●
Roof lining – black	●	–
Roof lining – designo black DINAMICA microfibre	△	●
Trim – designo black piano lacquer	△	●
Trim – open pore walnut wood	●	○
Upholstery – AMG Line leather, black	●	–
Upholstery – AMG nappa leather, black	–	●



Item	G 350 d	Mercedes-AMG G 63
Safety and Assistance Systems		
Driving Assistance package Please refer to page 27 for details	●	●
Active Brake Assist Consisting of proximity and collision warning, situation-dependent braking assistance and also autonomous braking function for vehicles in front, crossing pedestrians and cyclists	●	●
Active Lane Keeping Assist	●	●
ADAPTIVE BRAKE with HOLD function, Hill-Start Assist, priming and dry braking in the wet	●	●
Airbags - driver and front passenger	●	●
Airbags - front side	●	●
Airbags - windowbags	●	●
Anti-lock braking system (ABS) with Brake Assist (BAS)	●	●
Anti-theft alarm system with tow-away protection and interior motion sensor (Thatcham Category 1 compliant)	●	●

Item	G 350 d	Mercedes-AMG G 63
ATTENTION ASSIST Can detect typical symptoms of drowsiness on the basis of driver behaviour and alert the driver to increasing fatigue and inattention	●	●
Electronic Stability Programme (ESP®) with Acceleration Skid Control (ASR)	●	●
Four-wheel Electronic Traction System (4ETS)	●	●
Headlamp Assist - automatic headlamp activation	●	●
i-Size child seat attachment system for outer rear seats	●	●
PRE-SAFE® system for preventive occupant protection	●	●
Service indicator ASSYST	●	●
Traffic Sign Assist	●	●
Tyre pressure monitoring system	●	●



Item	G 350 d	Mercedes-AMG G 63
Communications and In-Car Entertainment		
Bluetooth® interface for hands-free telephony	●	●
COMAND Online Online-capable multimedia system with display (12.3 inches), touchpad with controller, Touch Control buttons on the steering wheel and LINGUATRONIC voice control system, hard-disk navigation with satellite map display, Smartphone integration, communications module for Mercedes me services, 3 years of free online map updates, Live Traffic Information, Mercedes me connect Standard Services, Mercedes-Benz apps, Mercedes-Benz emergency call system, Car-to-X-Communication	●	●
Communications module (LTE) for the use of Mercedes me connect services Preparation for use of Mercedes me connect services with particularly rapid and dependable data transfer	●	●
DAB digital radio tuner	●	●

Item	G 350 d	Mercedes-AMG G 63
Smartphone integration comprising Apple CarPlay™ and Android Auto See www.apple.com/uk/ios/carplay/ or www.android.com/intl/en_uk/auto for compatibility and approved apps. Certain features and apps require a 3G/4G data connection. Control of features available through voice control and controller on centre console	●	●
Surround sound system – Burmester® surround sound system 16 high-performance speakers, as well as electronics and acoustic features tailored specifically to the interior, and a 10-channel DSP amplifier with high dynamics, make for the first-class Burmester® sound thanks to a total output power of 590 W	△	●
Touchpad with controller	●	●



Driving Assistance package



Blind Spot Assist utilises short-range radar sensors to monitor the vehicle's blind spot. If the system detects a vehicle in the blind spot, a red triangle lights up in the respective exterior mirror to alert the driver.

Active Distance Assist DISTRONIC is a proximity control system which extends the functionality of the conventional cruise control with variable speed limiter by adding automatic control of the distance to the vehicle ahead.

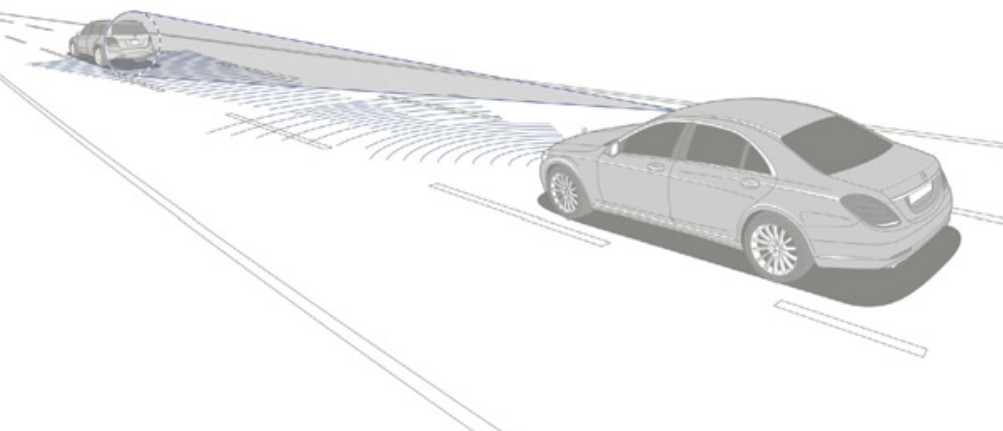
Driving Assistance package – designed and priced as a package, including items listed below.

Standard on all models

Driving Assistance package (code EM4)

Blind Spot Assist

Active Distance Assist DISTRONIC





20" wheels



RG6 20" AMG alloy wheels (4), multi-spoke design, painted black with a high-shine finish
275/50 tyres

G 350 d	●
Mercedes-AMG G 63	-
Total RRP incl. VAT (£)	-
excl. VAT (£)	-



RJ5 20" AMG alloy wheels (4), multi-spoke design, painted black
275/50 tyres

G 350 d	△
Mercedes-AMG G 63	-
Total RRP incl. VAT (£)	-
excl. VAT (£)	-



RG1 20" AMG alloy wheels (4) - 10-spoke design, painted titanium grey with a high-shine finish
275/50 tyres

G 350 d	-
Mercedes-AMG G 63	●
Total RRP incl. VAT (£)	-
excl. VAT (£)	-



21" wheels



RG2 21" AMG alloy wheels (4) – 5-twin-spoke design, painted titanium grey with a high-shine finish
285/45 tyres

G 350 d	-
Mercedes-AMG G 63	○
Total RRP incl. VAT (£)	1,125.00
excl. VAT (£)	937.50



RJ6 21" AMG alloy wheels (4) – 5-twin-spoke design, painted black
285/45 tyres

G 350 d	-
Mercedes-AMG G 63	△
Total RRP incl. VAT (£)	-
excl. VAT (£)	-



22" wheels



RG5 22" AMG alloy wheels (4) – forged cross-spoke design, painted titanium grey with a high-sheen finish
295/40 tyres

G 350 d	-
Mercedes-AMG G 63	○
Total RRP incl. VAT (£)	2,440.00
excl. VAT (£)	2,033.33



RG4 22" AMG alloy wheels (4) – forged cross-spoke design, painted matt black with high-sheen rim flange
295/40 tyres

G 350 d	-	-
Mercedes-AMG G 63	○	△
Total RRP incl. VAT (£)	2,840.00	1,990.00
excl. VAT (£)	2,366.67	1,658.33



Night package¹



Add the Night package to your G 350d to create an even bolder look. Heat-insulating dark-tinted glass in combination with the exterior mirrors and the spare wheel ring painted obsidian black make for a striking appearance. 20" AMG multi-spoke alloy wheels painted black with a high-shine finish are the perfect addition to this eye-catching combination.

Night package¹ – designed and priced as a package, including items listed below.

G 350 d

Total incl. VAT £1,500.00

Night package¹ (code NP1)

20" AMG alloy wheels (4) – multi-spoke design, painted black (code RJ5)

Darkened indicators, tail lights and headlights

Exterior mirror housings painted obsidian black

Exterior protective strip with trim insert in black pinstripe

Spare wheel ring painted obsidian black

Trim elements in bumpers painted obsidian black

¹Not in conjunction with the following colours: non-metallic black (code 040), magnetite black metallic (code 193) and G manufaktur platinum black metallic (code 046)



AMG Night package¹



How to lend your Mercedes-AMG G 63 a dramatic effect? Simply add the AMG Night package. With black-painted exterior mirror housings, front and rear bumper inserts, plus outer protective strip inserts in black, the package adds a distinct character to the exterior.

AMG Night package¹ – designed and priced as a package, including items listed below.

Mercedes-AMG G 63

Total incl. VAT £2,700.00

AMG Night package¹ (code NP1)

21" AMG alloy wheels (4) – 5-twin-spoke design, painted black (code RJ6)

22" AMG alloy wheels (4) – forged cross-spoke-bi-colour design, painted matt black with high-sheen rim flange (code RG4). Additional-cost option

Darkened indicators, tail lights and headlights

Exterior mirror housings painted obsidian black

Exterior protective strip with trim insert in black

Spare wheel ring painted obsidian black

Trim elements in bumpers painted obsidian black

Underguard painted obsidian black

¹Not in conjunction with the following colours: non-metallic black (code 040), magnetite black metallic (code 193) and G manufaktur platinum black metallic (code 046)



G manufaktur black-painted roof



With the G manufaktur black-painted roof you can highlight the individuality and dynamism of your G-Class even further.

G manufaktur black-painted roof – priced as a package, as detailed below.
G 350 d and Mercedes-AMG G 63 **Total incl. VAT £650.00**

G manufaktur black-painted roof (code F85)

Only available in conjunction with Night package or AMG Night package (code NP1) and the following colours:

Non-metallic

149 polar white

Metallic

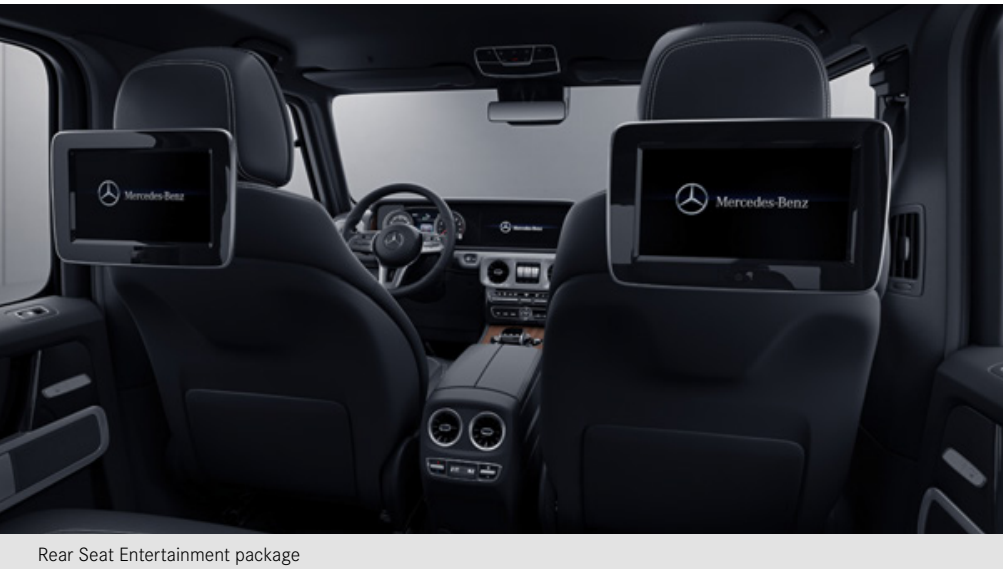
- 660 rubellite red
- 775 iridium silver
- 859 mojave silver
- 890 cavansite blue
- 896 brilliant blue
- 989 emerald green

G manufaktur metallic

- 026 ocean blue
- 041 graphite
- 255 olive
- 996 hyacinth red
- 032 mystic blue bright
- 052 mystic brown bright
- 799 diamond white bright



Rear Seat Entertainment package



Rear Seat Entertainment package

Films, internet, video games or music: the Rear Seat Entertainment System, with a variety of interfaces for external media, ensures nobody gets bored. The two 10-inch touchscreens installed on the backrests boast brilliant picture quality.

Rear Seat Entertainment package – designed and priced as a package, including items listed below.

G 350 d and Mercedes-AMG G 63 Total incl. VAT £2,995.00

Rear Seat Entertainment package (code DP7)

Two touchscreen displays with 10-inch screen diagonal for brilliant picture quality

Integral media player for playback of a variety of media

Internet access via browser and email client possible

USB 2.0, AUX and HDMI interfaces for the integration of smartphone content, laptop content or games consoles (SD memory cards via adapter)

Digital TV tuner (front screen only – does not display in rear)

Please note headphones are not included in this package. Any Bluetooth® headphones will, however, work with this system.



Winter package



Fuel-fired auxiliary heater



Heated windscreen

A fuel-fired heater that operates independently of the engine can be set to heat or ventilate the interior by remote control or by programming the departure time.

The heated windscreen function enables the windscreen to be easily defrosted, or the windscreen and side windows to be demisted, at the touch of a button.

Winter package – designed and priced as a package, including items as listed below.

G 350d and Mercedes-AMG G 63 Total incl. VAT £1,750.00

Winter package (code DP9)

Auxiliary heater and remote

Heated windscreen



Optional equipment

Item				Basic RRP excl. VAT (£)	Total RRP incl. VAT (£)
AMG Performance Studio					
AMG Driver's package An increase to your vehicle's electronically-limited top speed (149 mph)	Z10	-	○	1,666.67	2,000.00
Comfort					
Car Telephony package Allows connection of a mobile phone using the Bluetooth® SIM Access Protocol or direct operation by inserting a SIM card into the integral SIM card reader. Optional operation via the steering wheel. The exterior aerial ensures optimum reception	EG1	○	○	400.00	480.00
AMG Performance steering wheel in DINAMICA microfibre/black nappa leather	L6K	-	○	375.00	450.00
AMG Performance steering wheel in DINAMICA microfibre/carbon fibre	L6H	-	○	729.17	875.00
Airbags – rear, left and right	SH1	○	○	333.33	400.00
Heated multifunction steering wheel ¹	LH1	△	○	229.17	275.00
Service Package					
ServiceCare ServiceCare allows you to spread the cost of servicing your new car in the Mercedes-Benz Retailer network. ² Taking out a ServiceCare plan ensures your servicing needs are taken care of by fully trained Mercedes-Benz Technicians with the added benefit of a Mercedes-Benz service history		○	-	41.66	50.00
		-	○	36.66	44.00

● Standard ○ Optional - Not available △ Available only as part of a package

¹On G350 d this is available only in conjunction with Winter package (code DP9) and steering wheel VK9; on G63 this removes the AMG steering wheel buttons (code U88)

²Price is based on a monthly rate. Example given is for two services taken over 24 months; three services over 36 months; or four services over 48 months. Further payment options are available.

New ServiceCare prices apply only to vehicles up to 12 months old prior to first service



[Book a test drive > AMG](#)



[View offers](#)



[Find a Retailer](#)



[View the Range Guide](#)

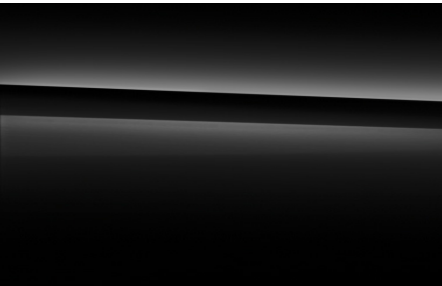
Colours, trim and upholstery





Metallic and non-metallic paints

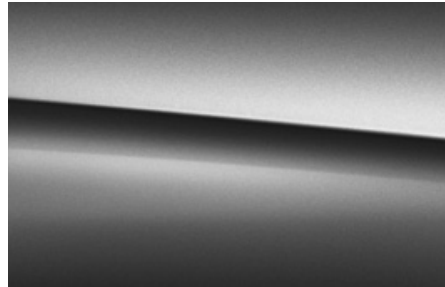
Metallic	standard
Non-metallic	no-cost option



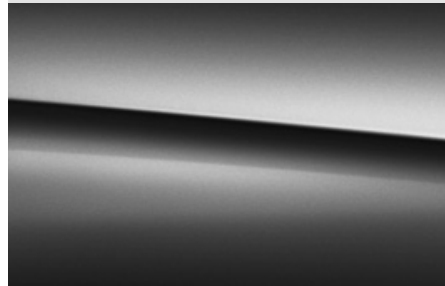
040 black non-metallic



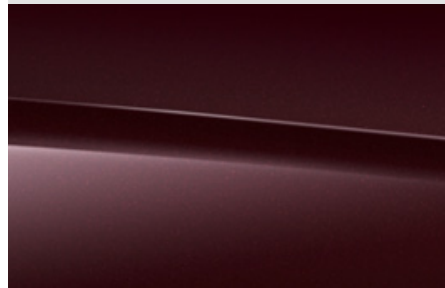
149 polar white non-metallic



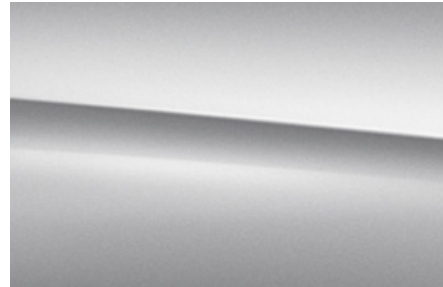
183 magnetite black metallic



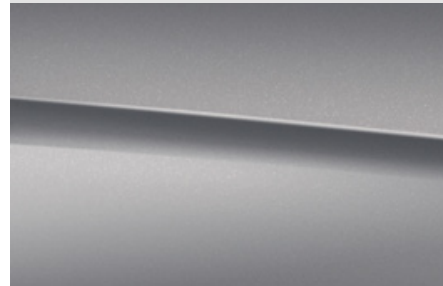
197 obsidian black metallic



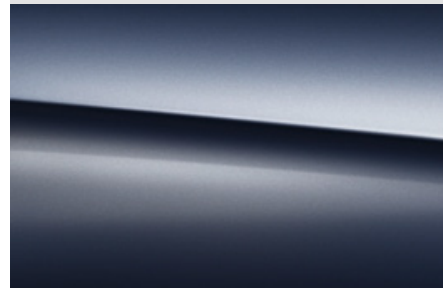
660 rubellite red metallic



775 iridium silver metallic



859 mojave silver metallic



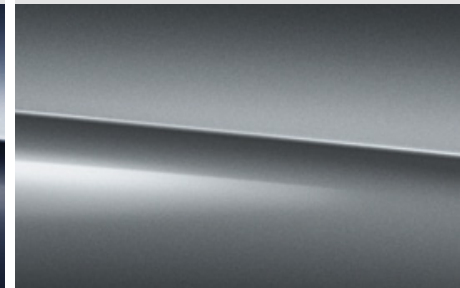
890 cavansite blue metallic



896 brilliant blue metallic



989 emerald green metallic



992 selenite grey metallic



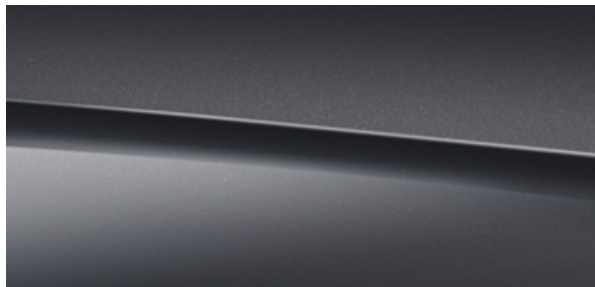
G manufaktur metallic paints

An extra degree of exclusivity is guaranteed with the G manufaktur range of paint finishes, which are all available at additional cost.

Total incl. VAT

Metallic £1,750.00

Metallic bright £2,850.00



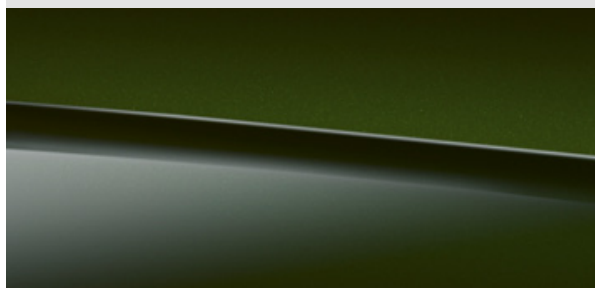
046 platinum black



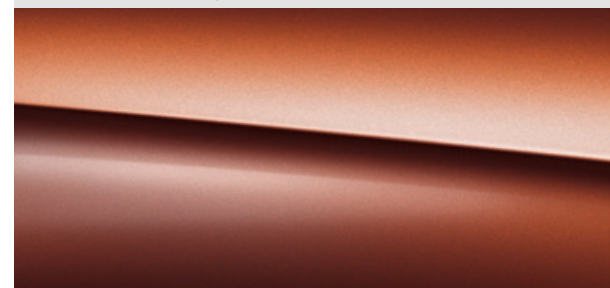
032 mystic blue bright



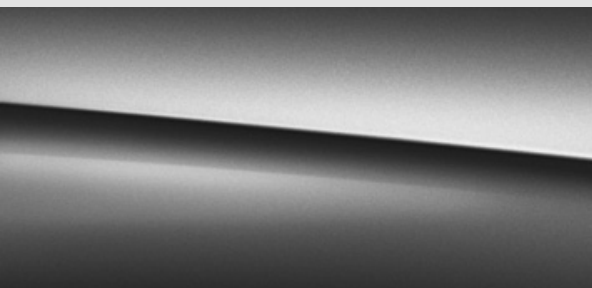
026 ocean blue



255 olive



052 mystic brown bright



041 graphite



996 hyacinth red



799 diamond white bright

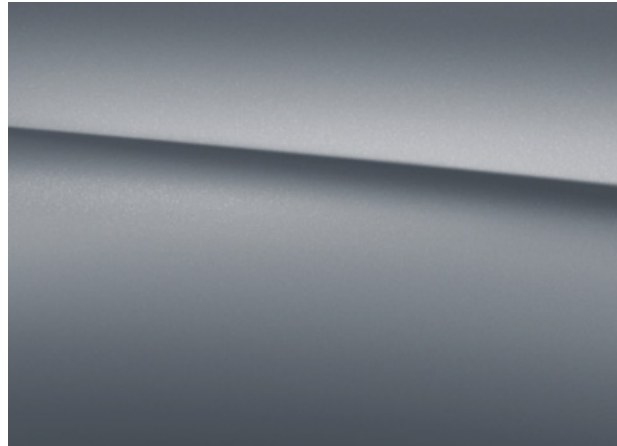


G manufaktur magno paints

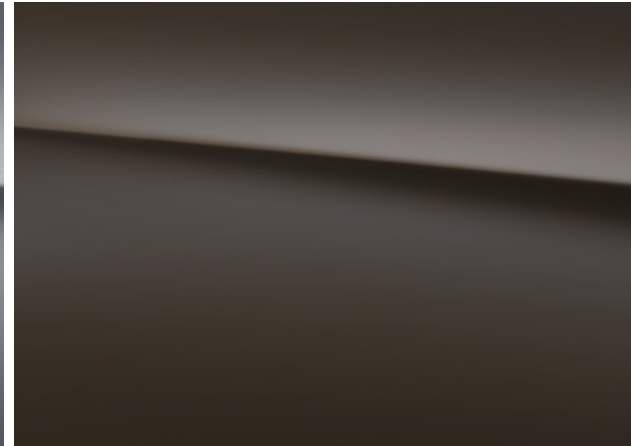
G manufaktur magno matt paint finishes require extra care. Please refer to the Owner's Manual for instructions.

magno

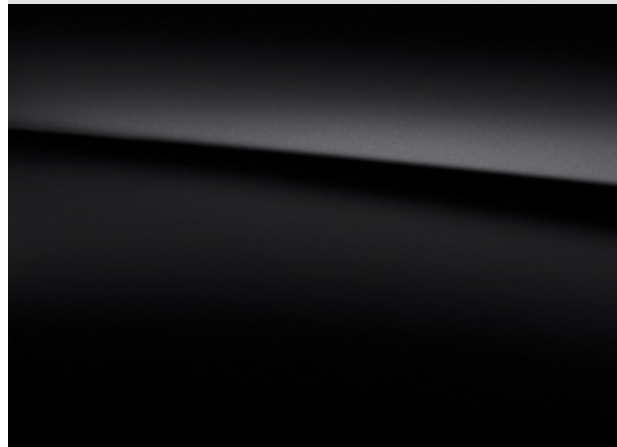
**Total incl. VAT
£4,285.00**



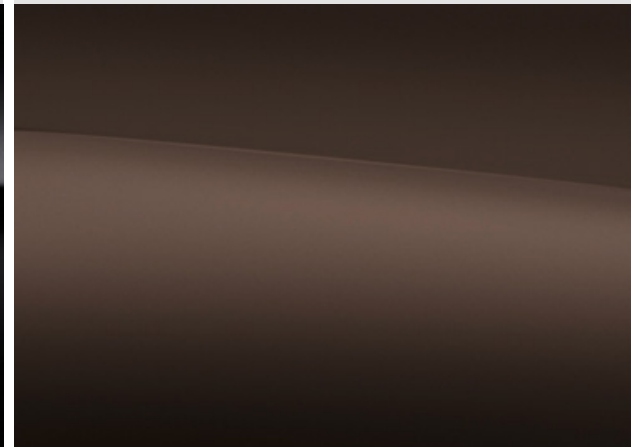
051 platinum



164 dark olive



056 night black



271 citrine brown



Trim



ZG2 designo black piano lacquer

G 350 d	○	-
Mercedes-AMG G 63	-	●
Total RRP incl. VAT (£)	640.00	-
excl. VAT (£)	533.33	-



VA1 designo black flamed open-pore ash wood

G 350 d	○	-
Mercedes-AMG G 63	-	○
Total RRP incl. VAT (£)	640.00	no-cost option
excl. VAT (£)	533.33	



VA2 open-pore walnut wood

G 350 d	●	-
Mercedes-AMG G 63	○	-
Total RRP incl. VAT (£)	no-cost option	-
excl. VAT (£)		



VA3 brown high-gloss ash wood

G 350 d	○	-
Mercedes-AMG G 63	-	○
Total RRP incl. VAT (£)	360.00	no-cost option
excl. VAT (£)	300.00	



VA4 light brown high-gloss wood¹

G 350 d	○	-
Mercedes-AMG G 63	-	○
Total RRP incl. VAT (£)	360.00	no-cost option
excl. VAT (£)	300.00	



VA5 metal weave

G 350 d	○	-
Mercedes-AMG G 63	-	○
Total RRP incl. VAT (£)	480.00	no-cost option
excl. VAT (£)	400.00	



ZG6 AMG carbon fibre

G 350 d	-	-
Mercedes-AMG G 63	○	-
Total RRP incl. VAT (£)	3,655.00	
excl. VAT (£)	3,045.83	



Steering wheels



L5B Three-spoke multifunction sports steering wheel in black nappa leather¹, with flattened bottom section, gearshift paddles and steering wheel trim in galvanised silver chrome, with touch control buttons²

G 350 d	●
Mercedes-AMG G 63	-
Total RRP incl. VAT (£)	-



VL9 AMG Performance steering wheel in nappa leather¹ 3-spoke design, with flattened bottom section, steering wheel trim in silver chrome with 'AMG' lettering and silver-coloured aluminium gearshift paddles, 12 o'clock marking and touch control buttons⁴

G 350 d	-
Mercedes-AMG G 63	●
Total RRP incl. VAT (£)	-



VK9 Three-spoke multifunction sports steering wheel in black nappa leather¹, with gearshift paddles and steering wheel trim in galvanised silver chrome, with touch control buttons³

G 350 d	△
Mercedes-AMG G 63	-
Total RRP incl. VAT (£)	-



L6K AMG Performance steering wheel in nappa leather/ DINAMICA microfibre in black in a 3-spoke design, with flattened bottom section, steering wheel trim in silver chrome with 'AMG' lettering and silver-coloured aluminium gearshift paddles, 12 o'clock marking and touch control buttons^{4,5,6}

G 350 d	-
Mercedes-AMG G 63	○
Total RRP incl. VAT (£)	450.00



L6H AMG Performance steering wheel in carbon fibre/ DINAMICA microfibre In a 3-spoke design, flattened bottom section, steering wheel trim in silver chrome with 'AMG' lettering and silver-coloured aluminium gearshift paddles, 12 o'clock marking and touch control buttons^{4,5,7}

G 350 d	-
Mercedes-AMG G 63	○
Total RRP incl. VAT (£)	875.00

● Standard ○ Optional - Not available △ Available only as part of a package ¹100% of upholstery is pure leather ²Not available with heated multifunction steering wheel (code LH1) or with designo nappa leather package (code DP4)
³Standard with heated multifunction steering wheel (code LH1) or with designo nappa leather package (code DP4) ⁴AMG steering wheel buttons (code U88) will be removed if heated multifunction steering wheel (code LH1) is selected
⁵Not available with AMG Exclusive nappa leather in macchiato beige/espresso brown (code 805A) ⁶Only available with trim code VA1/ZG2/VA5/ZG6 ⁷Only available with trim code ZG2 or ZG6



AMG Line leather¹ interior



Black (code 201A)



Nut brown/black (code 214A)



Macchiato beige/black (code 215A)

The AMG Line leather¹ interior offers the perfect combination to the G 350 d's rugged exterior. The lugano leather,¹ heated front and rear seats provide a comfortable, quality passenger experience. The AMG Line leather¹ interior is available in the colours shown left.

AMG Line leather¹ interior is standard on G 350 d; not available on Mercedes-AMG G 63.

AMG Line leather¹ interior comprises:

3-spoke multifunction sports steering wheel in nappa leather² with flattened bottom section

Air vents in black

AMG floor mats in black

Door centre panels, door trim, armrests in the doors in nappa leather²

Driver and front passenger seats in leather¹

Rear bench seat in leather¹

Upper part of dashboard in lugano leather¹

¹At least 80% of the seat upholstery is pure leather, while up to 20% may consist of man-made leather ²100% of upholstery is pure leather



AMG Line nappa leather¹ package



Black (code 501A)



Classic red/black (code 507A)



Truffle brown/black (code 525A)



Macchiato beige/black (code 535A)

The Exclusive Interior offers some special features, such as the roof liner in DINAMICA microfibre, the leather-covered dashboard, leather-covered door centre panels and air vents in silver shadow, and meets the highest of quality demands with seats in perforated AMG Line nappa leather¹.

AMG Line nappa leather¹ package – designed and priced as a package, including items as listed below.

G 350 d

Total incl. VAT £4,500.00

Not available on Mercedes-AMG G 63

AMG Line nappa leather¹ package (code SR1)

Air vents in silver shadow

AMG floor mats in black

designo roof liner in DINAMICA microfibre – black

Door centre panels, door trim, armrests in doors in nappa leather¹

Driver and front passenger seats in AMG Line nappa leather¹

Rear bench seat in AMG Line nappa leather¹

Upper part of dashboard in lugano leather

¹100% of upholstery is pure leather



designo nappa leather¹ package



Black (code 801A)



Macchiato beige/espreso brown (code 805A)



Classic red/black (code 807A)



Truffle brown/black (code 815A)

The Exclusive Interior Plus from designo manufaktur refines the entire interior, from the roof liner in DINAMICA microfibre through to the seats with diamond quilting and perforations, fully leather-finished doors and dashboard in the finest designo Exclusive nappa leather¹. Also included is the Active Multicontour Seat package with massage function for driver and front passenger.

designo nappa leather¹ package – designed and priced as a package, including items listed below.

G 350 d

Total incl. VAT £7,250.00

Only available in conjunction with Premium equipment line (code DP0).

Not available on Mercedes-AMG G 63

designo nappa leather¹ package (code DP4)

Air vents in silver shadow

AMG floor mats in black or espreso brown in conjunction with macchiato beige/espreso brown (code 805A)

designo metal badges in front backrests

designo roof liner in DINAMICA microfibre – black² or macchiato beige³

Door centre panels, door trim, armrests in doors in nappa leather¹

Driver and front passenger seats in designo nappa leather¹ with diamond quilting, perforated seat surfaces

Eight massage programmes together with Seat Heating Plus and climatised seats

Rear bench seat in designo nappa leather¹ with diamond quilting, perforated seat surfaces

Three-spoke multifunction sports steering wheel (VK9)

Upper and lower parts of dashboard in nappa leather¹



AMG nappa leather¹ interior



Black (code 501A)



Classic red/black (code 507A)



Truffle brown/black (code 525A)



Macchiato beige/black (code 535A)

The Exclusive Interior offers some special features, such as the roof liner in DINAMICA microfibre, the leather-covered dashboard, leather-covered door centre panels and air vents in silver shadow, and meets the highest of quality demands with seats in AMG nappa leather¹.

AMG nappa leather interior is standard on Mercedes-AMG G 63; not available on G 350 d.

AMG nappa leather¹ interior comprises:

Air vents in silver shadow

AMG floor mats in black

AMG metal badges in front backrests

designo roof liner in DINAMICA microfibre – black

Door centre panels, door trim and door armrests in nappa leather¹

Driver and front passenger seats in AMG nappa leather¹

Rear bench seat in AMG nappa leather¹

Upper and lower part of dashboard in nappa leather¹

¹100% of upholstery is pure leather



AMG Exclusive nappa leather¹



Black (code 801A)



Macchiato beige/espreso brown (code 805A)



Classic red/black (code 807A)



Truffle brown/black (code 815A)

The Exclusive Interior Plus from designo manufaktur refines the entire interior, from the roof liner in DINAMICA microfibre through to the seats with diamond quilting and perforations, fully leather-finished doors and dashboard in the finest AMG Exclusive nappa leather¹. Also included is the Active Multicontour Seat package with massage function for driver and front passenger.

AMG Exclusive nappa leather¹ package – designed and priced as a package, including items listed below.

Mercedes-AMG G 63

Total incl. VAT £5,500.00

Not available on G 350 d

AMG Exclusive nappa leather¹ package (code DP4)

Air vents in silver shadow

AMG floor mats in black or espreso brown in conjunction with macchiato beige/espreso brown (code 805A)

AMG metal badges in front backrests

designo roof liner in DINAMICA microfibre – black² or macchiato beige³

Door centre panels, door trim and door armrests in nappa leather¹

Driver and front passenger seats in AMG Exclusive nappa leather¹ with diamond quilting and perforated seat surfaces

Eight massage programmes together with Seat Heating Plus and climatized seats increase the sense of well-being

Rear bench seat in AMG Exclusive nappa leather¹ with diamond quilting, perforated seat surfaces

Upper part of dashboard in lugano leather⁴

¹100% of upholstery is pure leather ²Only with AMG Exclusive nappa leather code 801A, 807A or 815A ³Only with AMG Exclusive nappa leather code 805A ⁴At least 80% of upholstery is pure leather, while up to 20% may consist of man-made leather



Genuine Accessories

We've developed a range of Accessories you can add to help personalise and enhance your G-Class. Your local Mercedes-Benz Retailer can advise on fitting costs of Accessories, where applicable. Further information on our full range of Genuine Accessories can be found **here** on the Mercedes-Benz Cars UK website.

01 | Head restraint modular system

Carefree travel with Mercedes-Benz Style & Travel Equipment. The head restraint elements are simple to fit and remove. The modular system centres around a base support which can be combined with a coat hanger, universal hook, folding table and tablet mount.

Mount for tablet PC (A0008272200):

RRP £128.40 (incl. VAT)

Coat hanger with direct adapter (A0008104100):

RRP £90.60 (incl. VAT)

Folding table with direct adapter (A0008160200):

RRP £134.40 (incl. VAT)





Book a test drive > AMG



> View offers



> Find a Retailer



> View the Range Guide

Genuine Accessories

49

02

03



02 | Basic carrier bars, three crossbars (A4638902900)

Aluminium carrier bars, precision-tailored to the body of your Mercedes Benz – the perfect basis for a range of Mercedes Benz transport accessories: ski and snowboard rack, bicycle rack or roof boxes. Fitted in next to no time without the use of tools, thanks to new, innovative quick-release fasteners.

RRP £417.60 (incl. VAT)

04



03 | Ski and snowboard rack, Comfort (A0008900393)

The Comfort ski and snowboard rack is designed to hold a maximum of four pairs of skis (without sticks) or up to two snowboards, depending on the height of the bindings.

RRP £190.80 (incl. VAT)

05



04 | Mercedes-Benz roof box 450 (A0008400300)

Impact-resistant, sturdy, durable, recyclable, spray-protected. Opens on both sides. Single lock system with three locking mechanisms on each side. Gas-filled struts for easy opening and closing of lid. Straps to hold contents in place. Maximum load capacity of 75 kg.

RRP £472.00 (incl. VAT)

05 | Alustyle bicycle rack (A0008900293)

Extremely lightweight bicycle rack, designed to allow you to attach a bicycle to the basic carrier bars for roof rails. Bicycles can either be attached to the rack once it has been fitted to the roof or, conveniently, before it is fitted. The support frame can also be folded down when not in use to reduce drag when travelling without cycles.

RRP £121.00 (incl. VAT)



Technical data

	Diesel engine	Petrol engine
Model	G 350 d	Mercedes-AMG G 63

Engine

Total displacement	cc	2,925	3,982
Arrangement/cylinders/valves		L/6/24	V/8/32
Power ¹	hp (kW) at rpm	286(210)/ 3,400-4,600	585 (430)/6,000
Torque ¹	Nm at rpm	600/1,200-3,200	850/2,500-3,500

Transmission

9G-TRONIC 9-speed automatic	●	-
AMG SPEEDSHIFT PLUS 9G-TRONIC automatic	-	●

Performance

Acceleration 0-62 mph	sec	7.4	4.5
Top speed	mph	124	137

	Diesel engine	Petrol engine
Model	G 350 d	Mercedes-AMG G 63

Weights and capacities

Kerb weight ²	kg	2,453	2,560
Perm. Gross Vehicle Weight	kg	3,150	3,200
Payload	kg	699	640
Towing capacity - unbraked		750	750
braked	kg	3,500	3,500
Boot capacity - seats down		1,246	1,246
seats up	l	667	667
Fuel tank capacity/of which reserve	l	100/12.0	100/12
Turning circle kerb to kerb	m	13.6	13.51
Wading depth	mm	700	700

● Standard ¹Figures according to Directive 80/1269/EEC in the currently applicable version

²Mass of the vehicle in running order with at least 90% full fuel tank, plus the mass of the driver (estimated by law at 75 kg), fuel and fluids, equipped with the standard equipment as specified by the manufacturer as well as, where applicable, the mass of the body, cab, trailer coupling and spare wheel(s) as well as tools. Optional extras, additional equipment and accessories can influence the weight, residual payload, rolling resistance, aerodynamics, etc., and therefore also affect the consumption/CO₂ values



Model	Diesel engine	Petrol engine
	G 350 d	Mercedes-AMG G 63

Fuel consumption ^{3,4,5}	mpg		
Combined (consumption dependent on chosen optional equipment)	l/100 km	11.2-10.9	15.2-15.0
	mpg	25.2-25.9	18.6-18.8

CO ₂ emissions ^{4,5,*}	g/km		
Emissions standard		Euro 6d-TEMP-EVAP-ISC	Euro 6d-TEMP-EVAP-ISC
20" alloy wheels		252	299
21" alloy wheels		-	299
22" alloy wheels		-	299

Model	Diesel engine	Petrol engine
	G 350 d	Mercedes-AMG G 63

Service		
Interval	First 12,500 miles or 12 months	First 12,500 miles or 12 months

Insurance		
Group rating	tba	50

Insurance ratings may vary depending on model specification. Please refer to <http://www.thatcham.org/abigrouprating/> for further details

³All figures are based on a standard specification with the smallest tyre size ⁴The choice of wheels and transmission may affect CO₂ emissions and corresponding Road Fund Licence

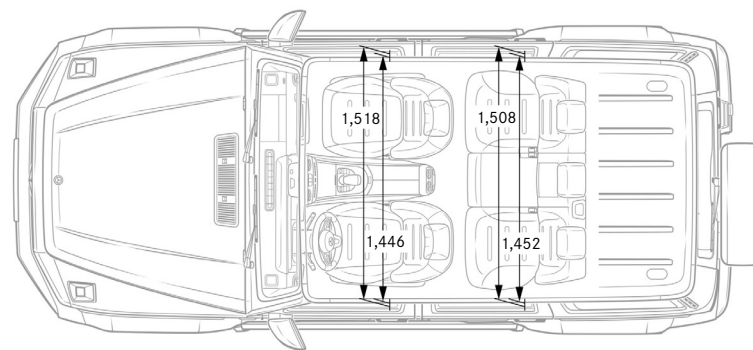
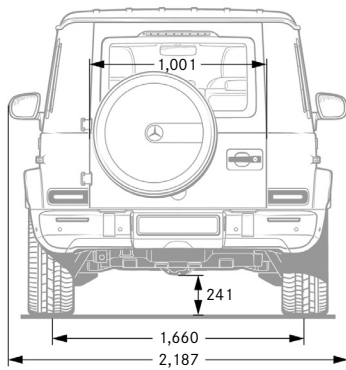
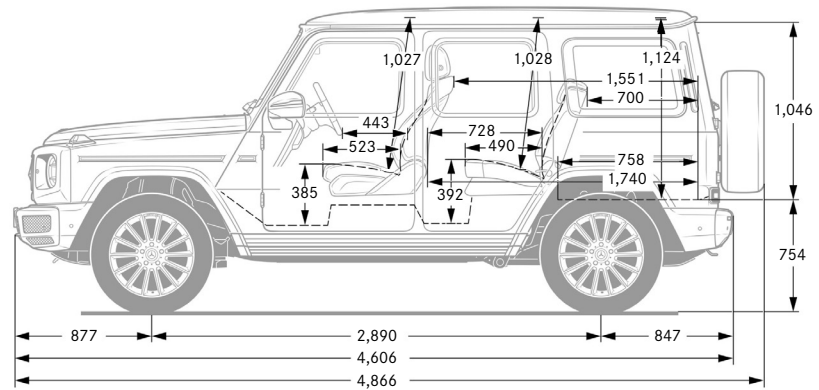
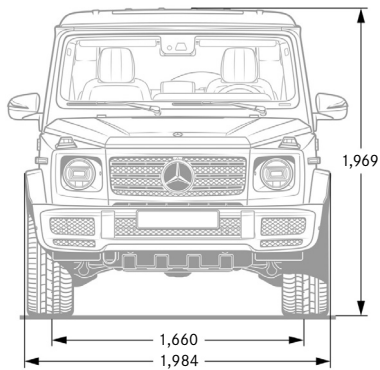
⁵The indicated values were determined according to the prescribed measurement method - Worldwide Harmonised Light Vehicle Test Procedure (WLTP). Figures shown may include options which are not available in the UK

*CO₂ figures have been converted into NEDC-equivalent values for use with the current VED and BIK tax legislation

Figures shown are for comparability purposes; only compare with other cars tested to the same technical procedures. Figures may not reflect real life driving results, which will depend upon a number of factors including factory-fitted options, accessories fitted (post registration), variations in weather, driving styles and vehicle load. Further information about the test used to establish fuel consumption and CO₂ figures can be found at <http://www.mercedes-benz.co.uk/WLTP>

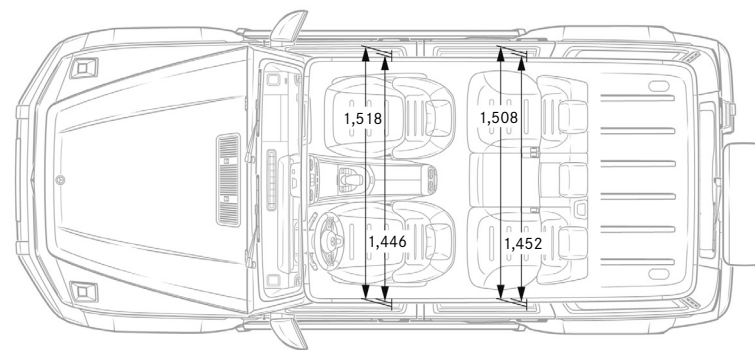
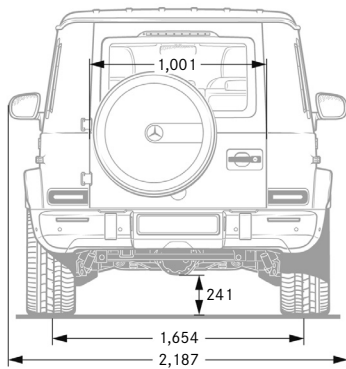
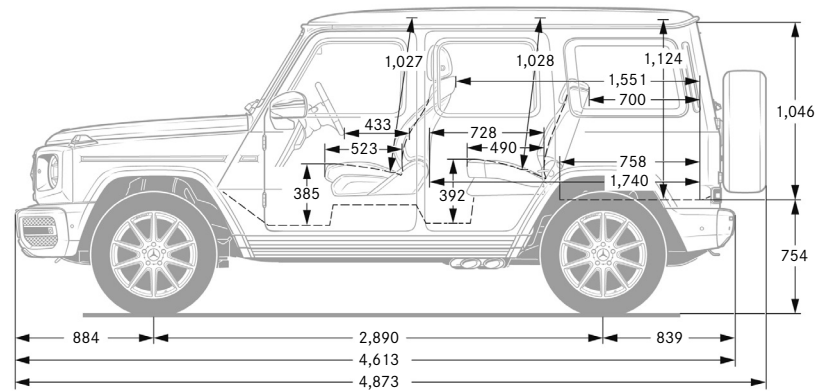
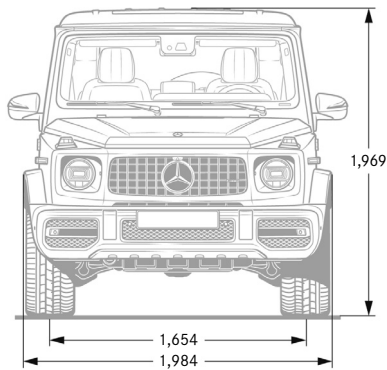


G 350 d





Mercedes-AMG G 63





Off-road capability



Large ramp breakover angle:

G 350 d	25.7°
Mercedes-AMG G 63	21.7°



Ground clearance of:

G 350 d	241 mm
Mercedes-AMG G 63	238 mm



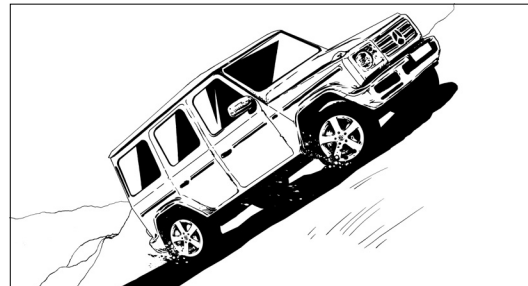
Max. approach angle, max. departure angle:

G 350 d	30.9°/29.9°
Mercedes-AMG G 63	27.0°/29.6°



Maximum fording depth of:

G 350 d	700 mm
Mercedes-AMG G 63	700 mm



Maximum gradient (surface permitting):

G 350 d	45°
Mercedes-AMG G 63	45°



Directional stability:

G 350 d	35°
Mercedes-AMG G 63	35°

All measurements in millimetres. The dimensions shown are mean values and apply to standard-specification, unladen vehicles. Illustrations may differ from current specification. The figures on pages 50-54 are correct at time of publication. Please refer to the government website for latest data - <http://carfueldata.direct.gov.uk/>



Road Fund Licence



All road vehicle registrations are subject to Vehicle Excise Duty (Road Fund Licence), which varies in accordance with the vehicle's CO₂ emissions. A first year rate for each taxation band will apply. The table below shows the bands (A–M) created by the DVLA and the corresponding Road Fund Licence. CO₂ emissions are listed in the technical data on page 51, and the relevant Excise Duty is reflected in the on-the-road prices on page 16.

Band	CO ₂ emissions (g/km)	First year rate petrol and RDE2 diesel (£)	First year rate all other diesel (£) ¹	First year rate alternative fuel (£)	Standard rate (£)	Premium rate (£) ²
A	0	0.00	0.00	0.00	0.00	320.00
B	1 to 50	10.00	25.00	0.00	145.00	465.00
C	51 to 75	25.00	110.00	15.00	145.00	465.00
D	76 to 90	110.00	130.00	100.00	145.00	465.00
E	91 to 100	130.00	150.00	120.00	145.00	465.00
F	101 to 110	150.00	170.00	140.00	145.00	465.00
G	111 to 130	170.00	210.00	160.00	145.00	465.00
H	131 to 150	210.00	530.00	200.00	145.00	465.00
I	151 to 170	530.00	855.00	520.00	145.00	465.00
J	171 to 190	855.00	1,280.00	845.00	145.00	465.00
K	191 to 225	1,280.00	1,815.00	1,270.00	145.00	465.00
L	226 to 255	1,815.00	2,135.00	1,805.00	145.00	465.00
M	over 255	2,135.00	2,135.00	2,125.00	145.00	465.00

Some of the model features, optional extras and colours shown may not be available or may only be available in a different specification.

¹Applies to all Mercedes-Benz diesel models which do not comply with Real Driving Emissions step 2 (RDE2)

²Premium rate only applicable to vehicles where the list price is over £40,000 including any factory-fitted options, standard UK delivery charge, number plates, fuel and VAT



Services and insurance

Mercedes-Benz ServiceCare

We believe that servicing costs should be as flexible and affordable as possible for your G-Class, which is why we offer ServiceCare, an easy way to budget for all your servicing costs. It spreads your bills into manageable payments based on whether you have a new or used Mercedes-Benz.

With ServiceCare we guarantee the price of parts and labour for up to four services and safeguard against any further inflation. It also covers the cost of all recommended service items including brake fluid, spark plugs, air filters, fuel filters and screen wash.

You can choose either to add your servicing costs into your monthly spend or pay the full amount in a one-off payment, giving you peace of mind that they are taken care of for the period of the plan.

To receive a personalised ServiceCare plan recommendation visit the ServiceCare Calculator at servicecarerates.mercedes-benz.co.uk

Warranty and breakdown cover

Every Mercedes-Benz comes with a three-year unlimited mileage warranty against manufacturing or material defects¹ and up to 30 years warranty against perforation due to corrosion from the inside out.² What's more, it's also covered by Mercedes-Benz Roadside Assistance – a unique package comprising up to 30 years pan-European breakdown assistance.²

Motor Insurance

Superb cover comes as standard. When reviewed by an independent research company, Defaqto, Mercedes-Benz Motor Insurance received a five-star rating, the highest rating available. We design our Motor Insurance specifically for Mercedes-Benz drivers.

For more information or to obtain a quote, click [here](#).



Book a test drive > AMG



> View offers



> Find a Retailer



> View the Range Guide

57

Mercedes me – the Mercedes that thinks and acts for you

Mercedes me contains a package of innovative services and lifestyle offers that connect you to your car via your desktop, tablet or smartphone using an app.¹ Fitting effortlessly into your daily routine, it provides a wealth of information relevant to you and your Mercedes. It also assists you in the event of a breakdown or an accident.

Mercedes me Live Traffic Information

Live Traffic Information is part of COMAND Online (standard or optional, depending on model).

- **Live Traffic Information** – provides real-time traffic information for dynamic route planning for the first three years from vehicle registration.

In order to access this service, you are required to set up a Mercedes me account, assign your vehicle to your online account and accept the Terms of Use. Your local Retailer will be able to assist and guide you through the registration process. Once your subscription expires after three years, the services of Live Traffic Information can be extended up to three years at an additional charge (1 year = £39.00, 2 years = £69.00, 3 years = £89.00).

To find out more about Mercedes me services and applications, visit the Mercedes me connect store <https://shop.mercedes-benz.com/en-gb/connect> or contact your local Retailer.



¹Currently unavailable in the Channel Islands and the Isle of Man



Mercedes-Benz Finance

Why should you finance with Mercedes-Benz?

At Mercedes-Benz we believe a great driving experience should be matched by an equally great ownership experience. That is why we put just as much thought, time and effort into designing our finance options, our service plans and our insurance cover as we do into our vehicles.

We are not in the business of simply providing a loan to fund the purchase of your dream vehicle. We look on it as a journey that we take with you, from the moment you choose your new Mercedes-Benz, to helping you in choosing your next one.

If you would like to find out more about any of our current offers, simply call into your local Mercedes-Benz Retailer where one of our Business Managers will be more than happy to talk you through anything you need to know.

Helping you find the right solution.

You should find our finance packages are more convenient than a traditional personal loan because:

- Funds are immediately available – no waiting for cheques or loans to clear.
- There is no security required – either against your home or other assets.
- We have clear and transparent rates – the APR we quote is the APR you get.
- We have friendly Business Managers – experts in vehicle finance who can talk you through all of your plans in detail.

One of our most popular finance products is Mercedes-Benz Agility (our Personal Contract Purchase product). We also offer Contract Hire, Operating Lease and Hire Purchase solutions. If you would like to find out more about these speak to your Retailer or visit www.mercedes-benz.co.uk/fandi.

Mercedes-Benz Agility (our PCP product).

At the start of an Agility agreement, you put down a deposit and decide the term of your agreement and your annual mileage. You will be advised of the Guaranteed Future Value, which offers you the reassurance of knowing exactly what you will need to pay to own the vehicle outright in the future (this is known as the Optional Purchase Payment).

Throughout your agreement you simply pay your agreed monthly payments and when the agreement comes to an end you either purchase, hand back or part-exchange your vehicle.





Agility features:

- Fixed regular payments mean you can easily budget.
- Payments are based only on a proportion of the vehicle's value, keeping your monthly payments lower.
- Our Guaranteed Future Value avoids the risk of unplanned depreciation of your vehicle.
- You defer your ownership decision until the end of the agreement.

At the end of your agreement you have three options to choose from.

Option 1: Purchase your Mercedes-Benz.

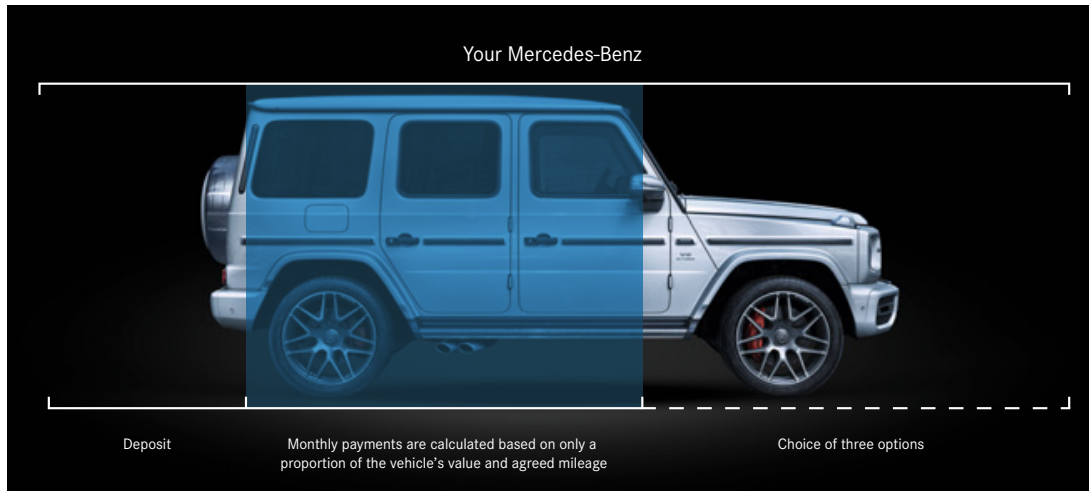
Purchase your Mercedes-Benz by paying the Optional Purchase Payment and Purchase Activation Fee.¹ This will complete the purchase of your Mercedes-Benz, leaving you free to simply enjoy your vehicle.

Option 2: Hand back your Mercedes-Benz.

If you decide to return your vehicle to us, it must be in line with our Vehicle Return Standards,^{*} as vehicle condition, excess mileage and other charges may be payable.

Option 3: Part-Exchange for a new vehicle.

Purchase your Mercedes-Benz by paying the Optional Purchase Payment and Purchase Activation Fee.¹ This will complete the purchase of your Mercedes-Benz, leaving you free to part-exchange for a new vehicle.



¹Please note the 'Purchase Activation Fee' of £10 will be debited from your account *To find out more information about our Vehicle Return Standards please visit <http://mercedes-benz.co.uk/vrs>



Book a test drive > AMG



> View offers





> Find a Retailer





> View the Range Guide

Follow us on the following social media channels:

 facebook.com/mercedesbenz

 twitter.com/mercedesbenz

 youtube.com/mercedesbenz

 instagram.com/mercedesbenz

Effective from December 2019 Production. Information correct at time of publication.

Prices and specifications are subject to change without prior notice.

MBW463PL/1119 MY800(a)

Mercedes-Benz Cars UK Limited, Tongwell, Milton Keynes, MK15 8BA. Company number 2448457. www.mercedes-benz.co.uk