



Book a [▶ SUV](#)
test drive [▶ AMG](#)



View offers [▶ SUV](#)
[▶ Coupé](#)



[▶ Find a Retailer](#)



[▶ View the Range Guide](#)

GLC

Sport Utility Vehicle and Coupé



Effective from December 2019 Production.

Mercedes-Benz





Book a [> SUV](#)
test drive [> AMG](#)



View offers [> SUV](#)
[> Coupé](#)



[> Find a Retailer](#)



[> View the Range Guide](#)

Contents

10 Model lines	47 Option packages	74 AMG optional equipment
24 Mercedes-AMG models	48 Colours and materials	76 Genuine Accessories
39 Mercedes-AMG driver training	57 Wheels	78 Technical data
40 Introducing MBUX	63 Standard equipment	92 Road Fund Licence
41 Mercedes me	68 AMG standard equipment	93 Services and insurance
43 Model prices	73 Optional equipment	94 Mercedes-Benz Finance



Book a [▶ SUV](#)
test drive [▶ AMG](#)



View offers [▶ SUV](#)
[▶ Coupé](#)



[▶ Find a Retailer](#)



[▶ View the Range Guide](#)



Some of the model features, optional extras and colours shown may not be available, or may only be available in a different specification.



Book a [▶ SUV](#)
test drive [▶ AMG](#)



View offers [▶ SUV](#)
[▶ Coupé](#)



[▶ Find a Retailer](#)



[▶ View the Range Guide](#)

4



Some of the model features, optional extras and colours shown may not be available, or may only be available in a different specification.



Book a [SUV](#)
test drive [AMG](#)



View offers [SUV](#)
[Coupe](#)



[Find a Retailer](#)



[View the Range Guide](#)



Some of the model features, optional extras and colours shown may not be available, or may only be available in a different specification.



Book a [▶ SUV](#)
test drive [▶ AMG](#)



View offers [▶ SUV](#)
[▶ Coupé](#)



[▶ Find a Retailer](#)



[▶ View the Range Guide](#)



Some of the model features, optional extras and colours shown may not be available, or may only be available in a different specification.



Book a [SUV](#)
test drive [AMG](#)



View offers [SUV](#)
[Coupe](#)



[Find a Retailer](#)



[View the Range Guide](#)



Some of the model features, optional extras and colours shown may not be available, or may only be available in a different specification.



Book a [▶ SUV](#)
test drive [▶ AMG](#)



View offers [▶ SUV](#)
[▶ Coupé](#)



[▶ Find a Retailer](#)



[▶ View the Range Guide](#)



Some of the model features, optional extras and colours shown may not be available, or may only be available in a different specification.



Book a [▶ SUV](#)
test drive [▶ AMG](#)



View offers [▶ SUV](#)
[▶ Coupé](#)



[▶ Find a Retailer](#)



[▶ View the Range Guide](#)



Some of the model features, optional extras and colours shown may not be available, or may only be available in a different specification.



Book a [▶ SUV](#)
test drive [▶ AMG](#)



View offers [▶ SUV](#)
[▶ Coupé](#)



[▶ Find a Retailer](#)



[▶ View the Range Guide](#)

GLC Sport





Book a [SUV](#)
test drive [AMG](#)



View offers [SUV](#)
[Coupe](#)



[Find a Retailer](#)



[View the Range Guide](#)





Book a [> SUV](#)
test drive [> AMG](#)



View offers [> SUV](#)
[> Coupé](#)



[> Find a Retailer](#)



[> View the Range Guide](#)



LED High Performance headlamps



Radiator grille with integral Mercedes star and two louvres in matt iridium silver with chrome inserts



Rear apron and tailpipe design



Steering wheel with touch control buttons



18" alloy wheels – 5-triple-spoke design painted in high-gloss black with a high-shine finish



10.25-inch touchscreen central media display



Book a [SUV](#)
test drive [AMG](#)



View offers [SUV](#)
[Coupe](#)



[Find a Retailer](#)



[View the Range Guide](#)

The new GLC Sport exterior now features redesigned LED High Performance headlamps, framing the two-louvre front grille with chrome inserts; 18" alloy wheels add to the powerful stance. Get behind the new nappa leather

multifunction steering wheel, and the 10.25-inch touchscreen central media display instantly grabs your attention. It houses the MBUX multimedia system that can be activated via voice control "Hey Mercedes".

Exterior

Mirror package – electrically folding exterior mirrors and automatically-dimming driver's side mirror and rear-view mirror

18" alloy wheels – 5-triple-spoke design painted high-gloss black with a high-sheen finish

Active Parking Assist with PARKTRONIC and reversing camera

Aluminium roof rails

DYNAMIC SELECT with a choice of driving modes: Comfort, Eco, Sport, Sport+ and Individual

EASY-PACK tailgate

Headlamps – LED High Performance headlamps with integral LED daytime running lamps

Privacy glass

Radiator grille with integral Mercedes star and two louvres in matt iridium silver with chrome inserts

Interior

10.25-inch touchscreen media display

Floor mats

Hard disk navigation with navigation services

MBUX multimedia system with DAB digital radio and touchpad

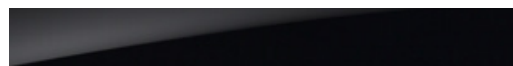
MBUX voice control activated by keywords "Hey Mercedes"

Seats – front, heated

Steering wheel – 3-spoke multifunction steering wheel in nappa leather with trim in silver chrome and perforated leather in grip area

Trim and Upholstery

High-gloss black



ARTICO man-made leather – black



ARTICO man-made leather – silk beige



SUV: OTR from **£40,620¹**

¹The recommended on-the-road price includes the Road Fund Licence applicable to the standard model plus delivery charge (£715.00 incl. VAT), new vehicle registration fee (£55.00) and number plates (£25.00 incl. VAT). VAT is calculated at the standard rate of 20%



Book a [▶ SUV](#)
test drive [▶ AMG](#)



View offers [▶ SUV](#)
[▶ Coupé](#)



[▶ Find a Retailer](#)



[▶ View the Range Guide](#)

GLC AMG Line





Book a [SUV](#)
test drive [AMG](#)



View offers [SUV](#)
[Coupe](#)



[Find a Retailer](#)



[View the Range Guide](#)



Home icon | Gast

Suche

10:10

Telefon

Mein Telefon

Icons: Phone, Contacts

Navigation

Stuttgart

Icons: Map, Home

Radio

107.7 MHz

Icons: Play, Stop

22.0°C

VORSCHLÄGE

22.0°C

188 | AUTO | MENU | SYNC | A/C

Buttons: Left arrow, Right arrow, Fan, Max, Sync, A/C

TEL | * | Triangle

Buttons: TEL, *, Triangle



Book a [▶ SUV](#)
test drive [▶ AMG](#)



View offers [▶ SUV](#)
[▶ Coupé](#)



[▶ Find a Retailer](#)



[▶ View the Range Guide](#)



Diamond radiator grille



AMG front apron with sporty air intakes and chrome trim element



AMG diffuser-look rear apron with insert in black



Flat-bottomed steering wheel with touch control buttons



19" AMG 5-twin-spoke alloy wheels



Grey open-pore oak trim



Book a > SUV
test drive > AMG



View offers > SUV
> Coupé



> Find a Retailer



> View the Range Guide

AMG bodystyling with distinctive front air intakes and chrome elements plus a diffuser-look rear apron are just some of the bold features of the AMG Line. The diamond radiator grille and the AMG 19" alloy wheels enhance these sporty credentials. Inside, the theme continues with AMG sports seats,

a black nappa leather sports steering wheel with silver chrome elements and AMG brushed stainless steel sports pedals. Floor mats with 'AMG' lettering are also standard on this model.

In addition/replacement to Sport

Exterior

19" alloy wheels – AMG 5-twin-spoke design

AMG bodystyling – AMG front apron with sporty air intakes and chrome trim element

AMG diffuser-look rear apron with insert in black

Diamond radiator grille

Interior

AMG brushed stainless steel sports pedals with black rubber studs

Floor mats in black with 'AMG' lettering

Instrument cluster with 5.5-inch multifunction display and surround in silver chrome

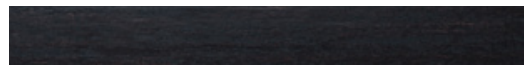
Roof liner in black fabric

Seats – AMG sports seats in ARTICO man-made leather/DINAMICA microfibre

Steering wheel – 3-spoke multifunction sports steering wheel in black nappa leather, with black topstitching, flattened bottom section, heavily embossed in grip area, with touch control buttons and bezel in galvanised silver chrome

Trim and Upholstery

Grey open-pore oak



ARTICO man-made leather/DINAMICA microfibre – black



SUV: OTR from **£42,370¹**
Upgrade price from Sport **£1,750**
Coupé: OTR from **£44,925¹**

¹The recommended on-the-road price includes the Road Fund Licence applicable to the standard model plus delivery charge (£715.00 incl. VAT), new vehicle registration fee (£55.00) and number plates (£25.00 incl. VAT). VAT is calculated at the standard rate of 20%



Book a [SUV](#)
test drive [AMG](#)



View offers [SUV](#)
[Coupe](#)



[Find a Retailer](#)



[View the Range Guide](#)

GLC AMG Line Premium



MULTIBEAM LED headlamps



Open-pore black ash wood trim



12.3-inch digital instrument cluster



Augmented reality navigation



Book a [SUV](#)
test drive [AMG](#)



View offers [SUV](#)
[Coupe](#)



[Find a Retailer](#)



[View the Range Guide](#)

This GLC takes refinement to the next level. It comes with all the AMG exterior credentials plus striking 20" AMG multi-spoke alloy wheels and running boards. The interior is fitted with AMG sports leather seats in a choice of rich colours, paired with black ash wood trim.

Plenty of innovative technology also awaits: augmented reality navigation, a 12.3" digital instrument cluster and the Mercedes-Benz sound system are just some of the features that will make every journey immensely enjoyable.

In addition/replacement to AMG Line:

Exterior

20" alloy wheels – AMG multi-spoke design

MULTIBEAM LED headlamps

Running boards

Interior

12.3-inch digital instrument cluster

Ambient lighting – 64 colours

Augmented reality for navigation – a camera in the windscreen records the area in front of the vehicle. This recording runs in the media display. Superimposed highlighted information, such as house numbers and street names, facilitates orientation at the destination

HDD navigation with navigation services including Traffic Sign Assist

Mercedes-Benz sound system

Seats – AMG sports seats in leather

Smartphone integration comprising Android Auto™ and Apple CarPlay™. Please check on www.apple.com/uk/ios/carplay/ for compatibility and approved apps. Certain features and apps require a 3G or 4G data connection. Control of features available through voice control and controller on centre console

Wireless charging

Trim and Upholstery

Open-pore black ash wood



Leather – black



Leather – cranberry red/black



Leather – saddle brown



SUV: OTR from **£45,870¹**

Coupe: OTR from **£48,425¹**

Upgrade price from AMG Line **£3,500**

¹The recommended on-the-road price includes the Road Fund Licence applicable to the standard model plus delivery charge (£715.00 incl. VAT), new vehicle registration fee (£55.00) and number plates (£25.00 incl. VAT). VAT is calculated at the standard rate of 20%



Book a [▶ SUV](#)
test drive [▶ AMG](#)



View offers [▶ SUV](#)
[▶ Coupé](#)



[▶ Find a Retailer](#)

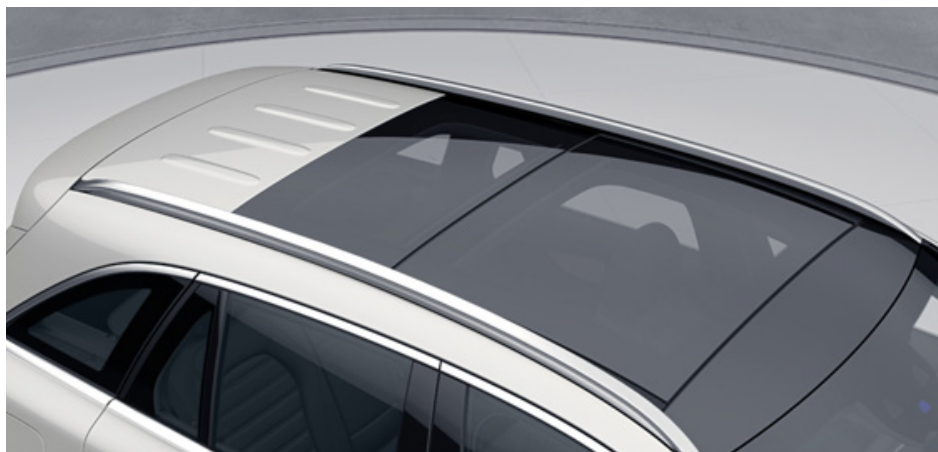


[▶ View the Range Guide](#)

GLC AMG Line Premium Plus



KEYLESS-GO Comfort package



Panoramic glass sunroof (SUV)



Sliding sunroof (Coupé)



Burmester® surround sound system



Book a [> SUV](#)
test drive [> AMG](#)



View offers [> SUV](#)
[> Coupé](#)



[> Find a Retailer](#)



[> View the Range Guide](#)

As the name suggests, you'll enjoy all the comfort and style of the AMG Line Premium with added benefits: namely the panoramic glass sunroof on the SUV model, or the sliding sunroof on the Coupé. It also comes with the

KEYLESS-GO Comfort package, which allows you to open the door without taking the key out of your pocket. Once inside, you'll enjoy a fantastic music experience courtesy of the Burmester® surround sound system.

In addition/replacement to AMG Line Premium:

Exterior

20" AMG alloy wheels – 5-twin-spoke design

Panoramic glass sunroof (SUV)

Sliding sunroof (Coupé)

Interior

KEYLESS-GO Comfort package

Memory package – driver's seat, front passenger seat, steering column – electrically adjustable with memory. Includes exterior mirror with parking position

Burmester® surround sound system

Trim and Upholstery

Open-pore black ash wood



Leather – black



Leather – cranberry red/black



Leather – saddle brown



SUV: OTR from **£51,235¹**

Upgrade price from AMG Line Premium **£5,365**

Coupé: OTR from **£54,110¹**

Upgrade price from AMG Line Premium **£5,685**

¹The recommended on-the-road price includes the Road Fund Licence applicable to the standard model plus delivery charge (£715.00 incl. VAT), new vehicle registration fee (£55.00) and number plates (£25.00 incl. VAT). VAT is calculated at the standard rate of 20%



Book a [SUV](#)
test drive [AMG](#)



View offers [SUV](#)
[Coupe](#)



[Find a Retailer](#)



[View the Range Guide](#)

GLC AMG Line Ultimate



AIR BODY CONTROL air suspension



20" AMG alloy wheels – 5-twin-spoke design



Book a [SUV](#)
test drive [AMG](#)



View offers [SUV](#)
[Coupe](#)



[Find a Retailer](#)



[View the Range Guide](#)

The ultimate in GLC technology, the AMG Line Ultimate sports 20" AMG 5-twin-spoke alloy wheels plus AIR BODY CONTROL air suspension for a smooth ride, thanks to its stepless damping control on each individual

wheel. As such you can drive in outstanding comfort, protect your back against avoidable loads and arrive more relaxed at your destination. In addition, the suspension automatically adjusts to different vehicle loads.

In addition/replacement to AMG Line Premium Plus:

Exterior

20" AMG alloy wheels – 5-twin-spoke design

AIR BODY CONTROL air suspension

Trim and Upholstery

Open-pore black ash wood



Leather – black



Leather – cranberry red/black



Leather – saddle brown



SUV: OTR from **£53,980¹**

Coupe: OTR from **£56,855¹**

Upgrade price from AMG Line Premium Plus **£2,745**

¹The recommended on-the-road price includes the Road Fund Licence applicable to the standard model plus delivery charge (£715.00 incl. VAT), new vehicle registration fee (£55.00) and number plates (£25.00 incl. VAT). VAT is calculated at the standard rate of 20%



Book a [▶ SUV](#)
test drive [▶ AMG](#)



View offers [▶ SUV](#)
[▶ Coupé](#)



[▶ Find a Retailer](#)



[▶ View the Range Guide](#)

24

Mercedes-AMG GLC 43





Book a [SUV](#)
test drive [AMG](#)



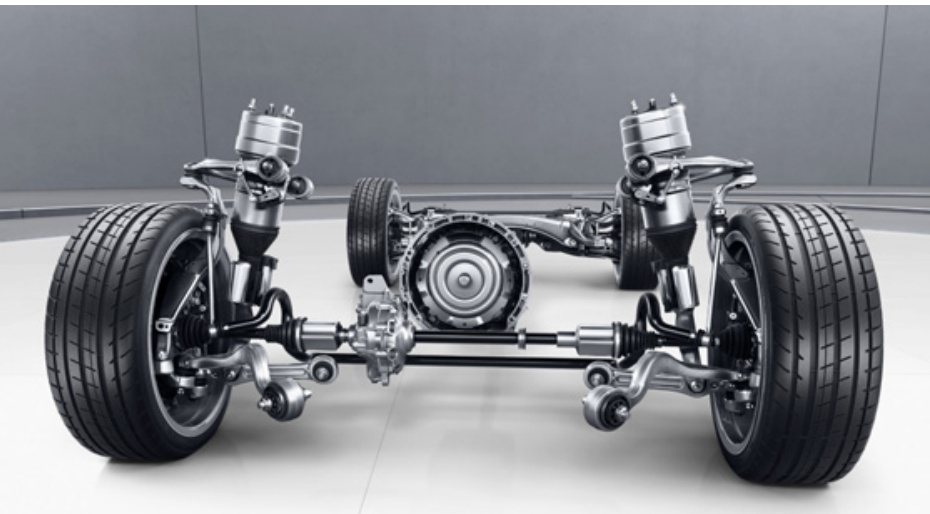
View offers [SUV](#)
[Coupe](#)



[Find a Retailer](#)



[View the Range Guide](#)





Book a [▶ SUV](#)
test drive [▶ AMG](#)



View offers [▶ SUV](#)
[▶ Coupé](#)



[▶ Find a Retailer](#)



[▶ View the Range Guide](#)

The new Mercedes-AMG GLC 43 4MATIC delivers on-road performance *par excellence* with its uprated 3.0-litre V6 biturbo engine, and persuades with a sporty, striking AMG exterior design including new AMG-specific radiator grille with vertical louvres. Inside you'll enjoy the comfort of AMG sports

seats in ARTICO man-made leather/DINAMICA microfibre, and a 3-spoke multi-function AMG steering wheel in black nappa leather with flattened bottom section, chrome inserts and perforated leather in the grip area.

In addition/replacement to AMG Line:

Exterior

Mirror package – electrically-folding mirrors and automatically-dimming exterior driver's mirror and rear-view mirror

19" AMG 5-twin-spoke alloy wheels

AMG bodystyling – AMG front apron with sporty air intakes and chrome trim element, AMG diffuser-look rear apron with insert in black and AMG round tailpipes

AMG RIDE CONTROL air suspension for front and rear axles with continuously adjustable damping

Brake calipers with 'AMG' lettering and perforated front brake discs

Headlamps – LED High Performance headlamps with integral LED daytime running lamps

Tailpipe – two chrome-plated tailpipe trim elements

Interior

Interior Lighting package – illuminated vanity mirrors, lighting of footwells and door handle recesses, as well as rear reading lamps (LED) and courtesy lights in all doors

Stowage package – map pockets on backs of the front seats, net on load compartment floor, folding box beneath load compartment floor, 12V socket in load compartment, lockable stowage compartment beneath load compartment floor, cargo rails

Floor mats – AMG floor mats with edging and embroidered 'AMG' lettering

Front door sill panels with 'Mercedes-Benz' lettering

Hard-disk navigation

"Hey Mercedes" voice activation

Instrument cluster with 5.5-inch TFT multifunction display

MBUX multimedia system – the new Mercedes-Benz User Experience infotainment system that can be controlled via voice and touch input

Reversing camera

Seats, front – electric adjustment (backrest, height and seat cushion inclination) with four-way electric lumbar support and manual seat cushion depth adjustment (6 cm)

Sports pedals in brushed stainless steel with rubber studs

Trim and Upholstery

Grey open-pore oak

ARTICO man-made leather/DINAMICA microfibre – black/red

SUV: OTR from **£50,885¹**
Coupé: OTR from **£52,990¹**

¹The recommended on-the-road price includes the Road Fund Licence applicable to the standard model plus delivery charge (£715.00 incl. VAT), new vehicle registration fee (£55.00) and number plates (£25.00 incl. VAT). VAT is calculated at the standard rate of 20%



Book a [SUV](#)
test drive [AMG](#)



View offers [SUV](#)
[Coupe](#)



[Find a Retailer](#)



[View the Range Guide](#)

Mercedes-AMG GLC 43 Premium



MULTIBEAM LED headlamps



Open-pore black ash wood trim



12.3-inch digital instrument cluster



Augmented reality navigation



Book a [SUV](#)
test drive [AMG](#)



View offers [SUV](#)
[Coupe](#)



[Find a Retailer](#)



[View the Range Guide](#)

The Mercedes-AMG GLC 43 Premium comes with all the AMG exterior credentials plus striking 20" AMG 5-twin-spoke alloy wheels, MULTIBEAM LED headlamps and running boards. The interior is fitted with AMG sports leather seats paired with open-pore black ash wood trim. Plenty of innovative

technology also awaits: augmented reality navigation, wireless charging as well as smartphone integration and the Mercedes-Benz sound system are just some of the features that will make every journey immensely enjoyable.

In addition/replacement to Mercedes-AMG GLC 43 4MATIC:

Exterior

20" AMG alloy wheels - 5-twin-spoke design

MULTIBEAM LED headlamps

Running boards

Interior

12.3-inch digital instrument cluster display - high-resolution instrument cluster screen with choice of three display styles

Ambient lighting - 64 colours

Augmented reality for navigation - a camera in the windscreen records the area in front of the vehicle. This recording runs in the media display. Superimposed highlighted information, such as house numbers and street names, facilitates orientation at the destination

Mercedes-Benz sound system (225 W) - four mid-range speakers, 2 tweeters, 2 frontbass speakers, 1 centre speaker and 225 W amplifier output

Run-flat tyres (SUV)

Smartphone integration comprising Android Auto™ and Apple CarPlay™

Steering column - manually adjustable for height and reach

Wireless charging

Trim and Upholstery

Open-pore black ash wood



Leather - black



Leather - cranberry red/black



Leather - saddle brown



SUV: OTR from **£54,385¹**

Coupe: OTR from **£56,490¹**

¹The recommended on-the-road price includes the Road Fund Licence applicable to the standard model plus delivery charge (£715.00 incl. VAT), new vehicle registration fee (£55.00) and number plates (£25.00 incl. VAT). VAT is calculated at the standard rate of 20%



Book a [▶ SUV](#)
test drive [▶ AMG](#)



View offers [▶ SUV](#)
[▶ Coupé](#)



[▶ Find a Retailer](#)

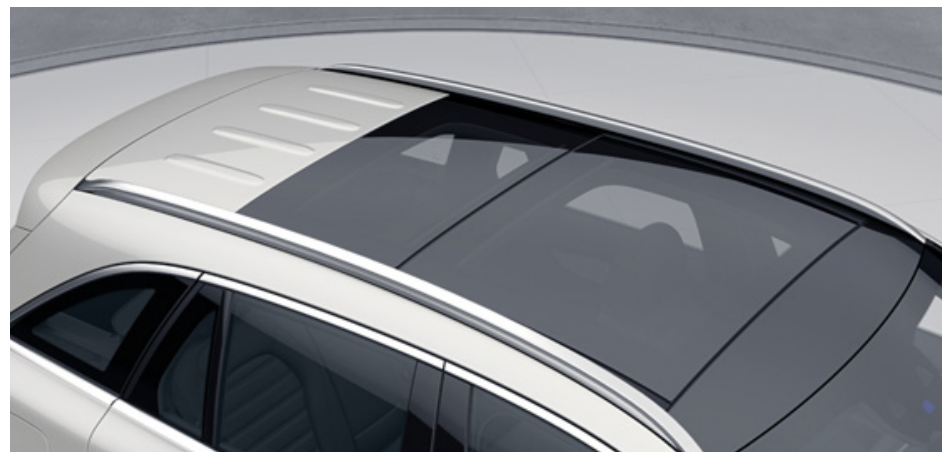


[▶ View the Range Guide](#)

Mercedes-AMG GLC 43 Premium Plus



KEYLESS-GO Comfort package



Panoramic glass sunroof (SUV)



Sliding sunroof (Coupé)



Burmester® surround sound system



Book a [> SUV](#)
test drive [> AMG](#)



View offers [> SUV](#)
[> Coupé](#)



[> Find a Retailer](#)



[> View the Range Guide](#)

The Mercedes-AMG GLC 43 Premium Plus truly elevates the model to the next level with a panoramic glass sunroof on the SUV model, or the sliding sunroof on the Coupé plus the KEYLESS-GO Comfort package, which allows

you to open the door without taking the key out of your pocket. Once inside, you'll enjoy the Memory package, a 360° camera, and a fantastic music experience courtesy of the Burmester® surround sound system.

In addition/replacement to Mercedes-AMG GLC 43 4MATIC Premium:

Exterior

21" AMG alloy wheels – 5-twin-spoke design, painted black with a high-shine finish

Panoramic glass sunroof (SUV)

Sliding sunroof (Coupé)

Interior

KEYLESS-GO Comfort package

Memory package – driver's seat, front passenger seat, steering column – electrically adjustable with memory

360° camera – four networked cameras in front grille, wing mirrors and boot capture a 360° bird's-eye view of vehicle's immediate surroundings

Burmester® surround sound system

Trim and Upholstery

Open-pore black ash wood



Leather – black



Leather – cranberry red/black



Leather – saddle brown



SUV: OTR from **£58,135¹**
Coupé: OTR from **£60,240¹**

¹The recommended on-the-road price includes the Road Fund Licence applicable to the standard model plus delivery charge (£715.00 incl. VAT), new vehicle registration fee (£55.00) and number plates (£25.00 incl. VAT). VAT is calculated at the standard rate of 20%



Book a [▶ SUV](#)
test drive [▶ AMG](#)



View offers [▶ SUV](#)
[▶ Coupé](#)



[▶ Find a Retailer](#)



[▶ View the Range Guide](#)

Mercedes-AMG GLC 63





Book a [SUV](#)
test drive [AMG](#)



View offers [SUV](#)
[Coupe](#)



[Find a Retailer](#)



[View the Range Guide](#)



Optional extras: Premium Plus package and AMG carbon fibre with aluminium



Book a [SUV](#)
test drive [AMG](#)



View offers [SUV](#)
[Coupe](#)



[Find a Retailer](#)



[View the Range Guide](#)

The powerful Mercedes-AMG GLC 63 with AIR BODY CONTROL air suspension delivers 476hp (350kW) for a truly exceptional performance. It does so in dynamic style, courtesy of MULTIBEAM LED headlamps, 19" AMG alloy wheels, running boards and an AMG Performance exhaust. The interior is designed to make driving as effortless and as enjoyable as possible.

Intelligent features range from ambient lighting and a Memory package that stores your favourite settings, to augmented reality navigation and a Mercedes-Benz sound system. Meanwhile, wireless charging and smartphone integration ensure you're fully connected to the outside world.

In addition/replacement to Mercedes-AMG GLC 43:

Exterior

19" AMG alloy wheels

MULTIBEAM LED headlamps

AIR BODY CONTROL air suspension for front and rear axles with continuously-adjustable damping

AMG electronic rear axle differential lock

AMG Performance exhaust

Running boards

Interior

Memory package – driver's seat, front passenger seat, steering column – electrically adjustable with memory. Includes exterior mirror with parking position

12.3-inch digital instrument cluster

Ambient lighting – 64 colours

Augmented reality navigation

HDD navigation with navigation services including Traffic Sign Assist

Mercedes-Benz sound system

Smartphone integration comprising Android Auto™ and Apple CarPlay™. Please check on www.apple.com/uk/ios/carplay/ for compatibility and approved apps. Certain features and apps require a 3G or 4G data connection. Control of features available through voice control and controller on centre console

Wireless charging

Trim and Upholstery

Open-pore black ash wood



Nappa leather – black



Nappa leather – cranberry red/black



Nappa leather – platinum white pearl/black



SUV: OTR from **£75,255¹**

Coupe: OTR from **£77,169¹**

¹The recommended on-the-road price includes the Road Fund Licence applicable to the standard model plus delivery charge (£715.00 incl. VAT), new vehicle registration fee (£55.00) and number plates (£25.00 incl. VAT). VAT is calculated at the standard rate of 20%



Book a [▶ SUV](#)
test drive [▶ AMG](#)



View offers [▶ SUV](#)
[▶ Coupé](#)



[▶ Find a Retailer](#)



[▶ View the Range Guide](#)

Mercedes-AMG GLC 63 S

34





Book a [SUV](#)
test drive [AMG](#)



View offers [SUV](#)
[Coupe](#)



[Find a Retailer](#)



[View the Range Guide](#)





Book a [SUV](#)
test drive [AMG](#)



View offers [SUV](#)
[Coupe](#)



[Find a Retailer](#)



[View the Range Guide](#)

In addition to the Mercedes-AMG GLC 63 4MATIC, this model sports 20" AMG alloy wheels, AMG bodystyling with diffuser fins in matt silver, and brake calipers with 'AMG' lettering. The interior welcomes you with AMG sports seats in nappa leather with crystal grey seat belts. The steering wheel

looks and feels sporty: it comes with a flattened bottom section, aluminium gearshift paddles and 12 o'clock marking. For the ultimate dynamic ride the AMG Driver's package with a top speed of 174 mph and AMG TRACK PACE reinforce the motorsport appeal.

In addition/replacement to Mercedes-AMG GLC 63 4MATIC+:

Exterior

20" AMG alloy wheels

AMG bodystyling – front apron, side skirts and rear apron with diffuser fins in matt iridium silver

Brake calipers – red with 'AMG' lettering

Interior

AMG Driver's package – includes an increase to your vehicle's electronically-limited top speed (174mph)

AMG TRACK PACE – iOS smartphone app that records vehicle-specific data (e.g. speed, acceleration) as well as lap and sector times for driver analysis. Enables video recordings via smartphone/GoPro to support sharing information via social media networks

Seats – AMG Performance seats

Seat belts – crystal grey

Steering wheel – AMG Performance multifunction steering wheel in nappa leather/DINAMICA microfibre in a 3-spoke design with flattened bottom section, steering wheel bezel in silver chrome with 'AMG' lettering, silver-coloured aluminium gearshift paddles and 12 o'clock marking

Trim and Upholstery

Open-pore black ash wood



Nappa leather – black



Nappa leather – cranberry red/black



Nappa leather – platinum white pearl/black



SUV: OTR from **£86,600¹**

Coupe: OTR from **£88,425¹**

¹The recommended on-the-road price includes the Road Fund Licence applicable to the standard model plus delivery charge (£715.00 incl. VAT), new vehicle registration fee (£55.00) and number plates (£25.00 incl. VAT). VAT is calculated at the standard rate of 20%



Book a [> SUV](#)
test drive [> AMG](#)



View offers [> SUV](#)
[> Coupé](#)



[> Find a Retailer](#)

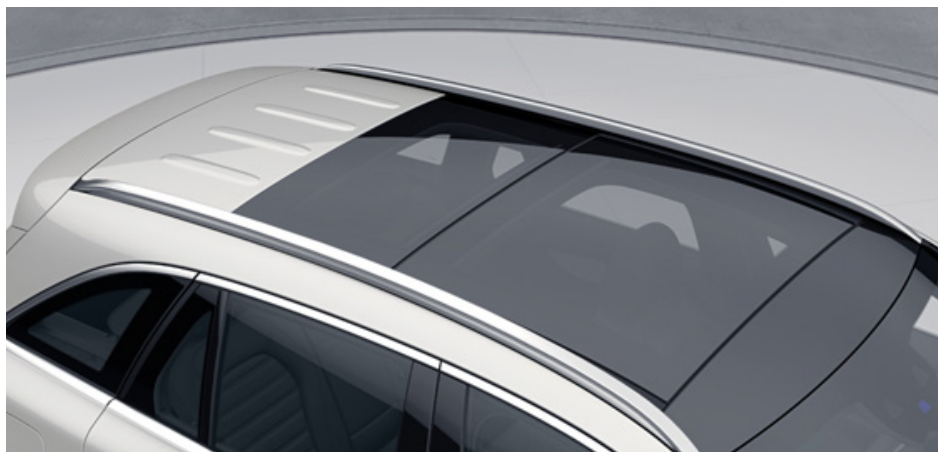


[> View the Range Guide](#)

Premium Plus equipment line for Mercedes-AMG GLC 63 and GLC 63 S



KEYLESS-GO Comfort package



Panoramic glass sunroof (SUV)



Sliding sunroof (Coupé)



Burmester® surround sound system



Book a [SUV](#)
test drive [AMG](#)



View offers [SUV](#)
[Coupe](#)



[Find a Retailer](#)



[View the Range Guide](#)

To elevate the comfort and style of your Mercedes-AMG GLC 63/S, the Premium Plus equipment line adds even more stunning extras: there is the panoramic glass sunroof on the SUV model, or the sliding sunroof on the

Coupe. It also includes the KEYLESS-GO Comfort package, which allows you to open the door without taking the key out of your pocket. Once inside, the Burmester® surround sound system creates a premium music experience.

In addition/replacement to Mercedes-AMG GLC 63 or GLC 63 S:

Exterior

Panoramic glass sunroof (SUV)

Sliding sunroof (Coupe)

Interior

KEYLESS-GO Comfort package

Burmester® surround sound system

Trim and Upholstery

Open-pore black ash wood



Nappa leather – black



Nappa leather – cranberry red/black



Nappa leather – platinum white pearl/black



SUV and Coupe: upgrade price from GLC 63 or GLC 63 S **£2,500**



Book a > SUV
test drive > AMG



View offers > SUV
> Coupé



> Find a Retailer



> View the Range Guide

Become the AMG expert

Unleash a new level of performance.

All Mercedes-AMG customers are invited to a complimentary adrenaline-packed driving experience, under the guidance of our driving specialists at Mercedes-Benz World.



Discover AMG at Mercedes-Benz World

- Individually tailored to your ability
- No previous track experience necessary
- See how well an AMG performs when pushed to its limits
- Put your theoretical driving knowledge to the test on a real track
- Understand the cause and effect of understeer, oversteer drift, collision avoidance and track etiquette
- Get to grips with the Mercedes-Benz World's purpose-built track and dynamic driving facilities

TERMS AND CONDITIONS

The following customers only are eligible: the first purchaser/registered keeper of a newly registered Mercedes-AMG. The complimentary Training as described in the brochure must be booked and taken within six months of delivery of your Mercedes-AMG. The Training is available Monday to Friday and is subject to availability. Requests for Saturday and Sunday will incur an additional charge. Upgrades are available for an additional cost: details upon request. Transferable to individuals who reside at the same postal address only. Mercedes-Benz Cars UK Limited reserves the right to amend or withdraw this Training experience. Attendees must hold a full UK driving licence. Attendees will be required to sign the Mercedes-Benz World Driving Risk Acknowledgement prior to undertaking the Training experience. The Training experience is also subject to the Mercedes-Benz World Terms and Conditions, as applicable. Invitation is emailed to the customer post-delivery. Permission via the customer contact preferences must be given to enable Mercedes-Benz World to contact. Retailer demonstrator vehicles are not eligible.



Book a > SUV
test drive > AMG



View offers > SUV
> Coupé



> Find a Retailer



> View the Range Guide

Introducing MBUX



Intelligent voice control lets you control many functions, including destination input



Multi-gesture touchpad control

Introducing MBUX, the new Mercedes-Benz User Experience infotainment system that can be controlled via voice and touch input. The new GLC models feature this innovative way of communicating with your Mercedes-Benz. Standard across all model lines.

MBUX (Mercedes-Benz User Experience) infotainment system comprises:

Voice control

- Activated by the keywords “Hey Mercedes”, the new intelligent voice control LINGUATRONIC¹ lets you control many of the infotainment functions, including destination input, phone calls or music selection
- MBUX is able to understand different accents and will adjust to you over time
- MBUX even understands indirect commands. Feeling chilly? Just say “I feel cold” and MBUX will adjust the temperature for you

Personalisation

- Turn the new GLC into your very own Mercedes-Benz by personalising driving modes, radio stations, ambient lighting and much more
- Your personal settings can be saved in up to seven different profiles, making your driving experience the best one possible
- Thanks to artificial intelligence, MBUX is able to learn and adapt over time. It will be able to predict your personal habits, such as navigation for frequently-driven routes, or the radio station you like to listen to on your way home from work

Touch inputs

- Beside voice control you can operate MBUX via touchscreen, the touchpad on the centre console, as well as touch control buttons on the steering wheel
- The touchpad recognises your handwriting should you wish to enter addresses or phone numbers silently

Maintenance and service

- Wondering when the next service is due? Or how much further you can drive until you need to stop at a petrol station? Just ask your MBUX – it will tell you the answer

¹LINGUATRONIC off-board functions are currently only available for three years



Book a test drive > SUV
> AMG



View offers > SUV
> Coupé



> Find a Retailer



> View the Range Guide

Mercedes me connect.

Stay connected, any time, anywhere.

Mercedes me is a range of innovative online services designed to enhance your Mercedes-Benz experience. Accessible via mobile, tablet or PC, Mercedes me lets you enjoy the highest standards of care and support, in a way that integrates seamlessly with your busy lifestyle.



Navigation Services (01U)

Three years standard from initial registration; can be extended at additional cost. Visit the Mercedes me connect store or app for pricing.

Infotainment

Visit the Mercedes me connect store or app for pricing.



Live Traffic Information¹

Your navigation system receives traffic data in real time, enabling it to optimise the dynamic route guidance, minimising drive time and offering more precise estimation of arrival times.



Available parking spaces

Locates parking spaces for you in multi-storey car parks and on the street. Saving you time and hassle.



connect Store

In the Mercedes me connect Store you can purchase many digital services designed to make your everyday life easier and provide useful information relating to your networked vehicle.



TIDAL

Love music? Get a 12-month TIDAL HiFi subscription free with Mercedes me connect (worth £240) and unlock access to 58 million songs.



Local Search

This feature provides support in the local search for restaurants or hotels and much more.



Send2Car

Make your journey easier: set your destination using the Mercedes me app and send it directly to your car's navigation system.



Internet Radio

Listen to podcasts and radio stations from anywhere in the world.



Digital Assistant

Digital Assistant allows you to connect to your car via Amazon Alexa or Google Assistant, meaning you can ask from the comfort of your sofa - is my car locked? When's the next service due? How much fuel do I have? Plus much more.

For more information speak to your local Retailer or visit the Mercedes me connect store at shop.mercedes-benz.com/en-gb/connect

¹Free of charge for first 3 years. Extension possible, visit the Mercedes me connect store for details on pricing



Book a [▶ SUV](#)
test drive [▶ AMG](#)



View offers [▶ SUV](#)
[▶ Coupé](#)



[▶ Find a Retailer](#)



[▶ View the Range Guide](#)

Mercedes me connect.

Stay connected, any time, anywhere.

Mercedes me is a range of innovative online services designed to enhance your Mercedes-Benz experience. Accessible via mobile, tablet or PC, Mercedes me lets you enjoy the highest standards of care and support, in a way that integrates seamlessly with your busy lifestyle.



Vehicle Set-up (08U)

Three years standard from initial registration; can be extended at additional cost. Visit the Mercedes me connect store or app for pricing.



Remote Vehicle Status

Check safety information, such as coolant level and brake pad condition, so you can be sure your car is safe and ready to drive.



Remote Door Locking/Unlocking

Lock and unlock your car remotely, wherever you are in the world.



Parked Vehicle Locator

Forgot where you parked your car? No problem: you can locate and track your car, with the Parked Vehicle Locator.



Vehicle Tracker

Track the location of your car anywhere in the world.



Valet Protect

Worried about your car when you've left it at a long stay car park? With Valet Protect, you'll get an instant notification to your phone when the ignition is started or if your car moves out of a pre-defined area of up to a three mile radius.



Geo-fencing

Set up a geographical boundary and receive alerts whenever your car enters or leaves this area.

For more information speak to your local Retailer or visit the Mercedes me connect store at shop.mercedes-benz.com/en-gb/connect



Book a [SUV](#)
test drive [AMG](#)



View offers [SUV](#)
[Coupe](#)



[Find a Retailer](#)



[View the Range Guide](#)

Model prices – SUV

Model line	Engine	Transmission	CO ₂ ^{1,*}	Basic RRP excl. VAT (£)	Total RRP incl. VAT (£)	Road Fund Licence (£) ²	Rec. OTR price (£) ³	P11D value (£)	BiK tax rate 2019/20 (%)
Sport	GLC 220 d 4MATIC Diesel – 1,950 cc, 4-cylinder, 194 hp/143 kW	9G-TRONIC PLUS 9-speed automatic	137	32,745.84	39,295.00	210.00	40,620.00	40,035.00	32
	GLC 300 4MATIC Petrol – 1,991 cc, 4-cylinder, 258 hp/190 kW	9G-TRONIC PLUS 9-speed automatic	166	33,820.83	40,585.00	530.00	41,910.00	41,325.00	37
AMG Line	GLC 220 d 4MATIC Diesel – 1,950 cc, 4-cylinder, 194 hp/143 kW	9G-TRONIC PLUS 9-speed automatic	140	34,204.17	41,045.00	210.00	42,370.00	41,785.00	33
	GLC 300 4MATIC Petrol – 1,991 cc, 4-cylinder, 258 hp/190 kW	9G-TRONIC PLUS 9-speed automatic	170	35,279.17	42,335.00	530.00	43,660.00	43,075.00	37
AMG Line Premium	GLC 220 d 4MATIC Diesel – 1,950 cc, 4-cylinder, 194 hp/143 kW	9G-TRONIC PLUS 9-speed automatic	144	37,120.84	44,545.00	210.00	45,870.00	45,285.00	33
	GLC 300 d 4MATIC Diesel – 1,950 cc, 4-cylinder, 245 hp/180 kW	9G-TRONIC PLUS 9-speed automatic	156	38,833.33	46,600.00	855.00	48,250.40	47,340.00	36
	GLC 300 4MATIC Petrol – 1,991 cc, 4-cylinder, 258 hp/190 kW	9G-TRONIC PLUS 9-speed automatic	174	38,195.83	45,835.00	855.00	47,485.00	46,575.00	37
AMG Line Premium Plus	GLC 300 d 4MATIC Diesel – 1,950 cc, 4-cylinder, 245 hp/180 kW	9G-TRONIC PLUS 9-speed automatic	156	41,958.33	50,350.00	850.00	52,000.00	51,090.00	36
	GLC 300 4MATIC Petrol – 1,991 cc, 4-cylinder, 258 hp/190 kW	9G-TRONIC PLUS 9-speed automatic	174	41,320.83	49,585.00	855.00	51,235.00	50,325.00	37
AMG Line Ultimate	GLC 300 d 4MATIC Diesel – 1,950 cc, 4-cylinder, 245 hp/180 kW	9G-TRONIC PLUS 9-speed automatic	156	44,245.83	53,095.00	855.00	54,745.00	53,835.00	36
	GLC 300 4MATIC Petrol – 1,991 cc, 4-cylinder, 258 hp/190 kW	9G-TRONIC PLUS 9-speed automatic	174	43,608.33	52,330.00	855.00	53,980.00	53,070.00	37

¹The indicated values were determined according to the prescribed measurement method – Worldwide Harmonised Light Vehicle Test Procedure (WLTP). Figures shown may include options which are not available in the UK

^{*}CO₂ figures have been converted into NEDC-equivalent values for use with the current VED and BiK tax legislation

Figures shown are for comparability purposes; only compare with other cars tested to the same technical procedures. Figures may not reflect real life driving results, which will depend upon a number of factors including factory-fitted options, accessories fitted (post registration), variations in weather, driving styles and vehicle load. Further information about the test used to establish fuel consumption and CO₂ figures can be found at <http://www.mercedes-benz.co.uk/WLTP>

²GLC 220 d 4MATIC and GLC 300 d 4MATIC engines are RDE (Real Driving Emissions) Step 2 Certified (Euro 6d-ISC). This results in a lower VED and BiK rate as these engines will not be subject to the diesel surcharge. A different first year rate of Vehicle Excise Duty (Road Fund Licence) applies for new cars. Please refer to page 92 for the relevant rate for the second and subsequent years

³The recommended on-the-road price includes the Road Fund Licence applicable to the standard model plus delivery charge (£715.00 incl. VAT), new vehicle registration fee (£55.00) and number plates (£25.00 incl. VAT). VAT is calculated at the standard rate of 20%



Book a > SUV
test drive > AMG



View offers > SUV
> Coupé



> Find a Retailer



> View the Range Guide

Model line	Engine	Transmission	CO ₂ ^{1,*}	Basic RRP excl. VAT (£)	Total RRP incl. VAT (£)	Road Fund Licence (£) ²	Rec. OTR price (£) ³	P11D value (£)	BiK tax rate 2019/20 (%)
Mercedes-AMG	Mercedes-AMG GLC 43 4MATIC Petrol – 2,996 cc, 6-cylinder, 390 hp/287 kW	AMG SPEEDSHIFT TCT 9-speed auto.	234	40,229.17	48,275.00	1,815.00	50,885.00	49,015.00	37
	Mercedes-AMG GLC 63 4MATIC+ Petrol – 3,982 cc, 8-cylinder, 476 hp/350 kW	AMG SPEEDSHIFT MCT 9-speed auto.	278	60,270.83	72,325.00	2,135.00	75,255.00	73,065.00	37
	Mercedes-AMG GLC 63 S 4MATIC+ Petrol – 3,982 cc, 8-cylinder, 510 hp/375 kW	AMG SPEEDSHIFT MCT 9-speed auto.	282	69,725.00	83,670.00	2,135.00	86,600.00	84,410.00	37
Mercedes-AMG Premium	Mercedes-AMG GLC 43 4MATIC Petrol – 2,996 cc, 6-cylinder, 390 hp/287 kW	AMG SPEEDSHIFT TCT 9-speed auto.	242	43,145.83	51,775.00	1,815.00	54,385.00	52,515.00	37
Mercedes-AMG Premium Plus	Mercedes-AMG GLC 43 4MATIC Petrol – 2,996 cc, 6-cylinder, 390 hp/287 kW	AMG SPEEDSHIFT TCT 9-speed auto.	242	46,270.83	55,525.00	1,815.00	58,135.00	56,265.00	37
	Mercedes-AMG GLC 63 4MATIC+ Petrol – 3,982 cc, 8-cylinder, 476 hp/350 kW	AMG SPEEDSHIFT MCT 9-speed auto.	278	62,354.17	74,825.00	2,135.00	77,755.00	75,565.00	37
	Mercedes-AMG GLC 63 S 4MATIC+ Petrol – 3,982 cc, 8-cylinder, 510 hp/375 kW	AMG SPEEDSHIFT MCT 9-speed auto.	282	71,808.33	86,170.00	2,135.00	89,100.00	86,910.00	37

¹The indicated values were determined according to the prescribed measurement method – Worldwide Harmonised Light Vehicle Test Procedure (WLTP). Figures shown may include options which are not available in the UK

*CO₂ figures have been converted into NEDC-equivalent values for use with the current VED and BiK tax legislation

Figures shown are for comparability purposes; only compare with other cars tested to the same technical procedures. Figures may not reflect real life driving results, which will depend upon a number of factors including factory-fitted options, accessories fitted (post registration), variations in weather, driving styles and vehicle load. Further information about the test used to establish fuel consumption and CO₂ figures can be found at <http://www.mercedes-benz.co.uk/WLTP>

²GLC 220 d 4MATIC and GLC 300 d 4MATIC engines are RDE (Real Driving Emissions) Step 2 Certified (Euro 6d-ISC). This results in a lower VED and BiK rate as these engines will not be subject to the diesel surcharge. A different first year rate of Vehicle Excise Duty (Road Fund Licence) applies for new cars. Please refer to page 92 for the relevant rate for the second and subsequent years

³The recommended on-the-road price includes the Road Fund Licence applicable to the standard model plus delivery charge (£715.00 incl. VAT), new vehicle registration fee (£55.00) and number plates (£25.00 incl. VAT). VAT is calculated at the standard rate of 20%



Book a test drive > SUV
> AMG



View offers > SUV
> Coupé



> Find a Retailer



> View the Range Guide

Model prices – Coupé

Model line	Engine	Transmission	CO ₂ ^{1,*}	Basic RRP excl. VAT (£)	Total RRP incl. VAT (£)	Road Fund Licence (£) ²	Rec. OTR price (£) ³	P11D value (£)	BiK tax rate 2019/20 (%)
AMG Line	GLC 220 d 4MATIC Diesel – 1,950 cc, 4-cylinder, 194 hp/143 kW	9G-TRONIC PLUS 9-speed automatic	140	36,600.00	43,920.00	210.00	44,925.00	44,660.00	33
	GLC 300 4MATIC Petrol – 1,991 cc, 4-cylinder, 258 hp/190 kW	9G-TRONIC PLUS 9-speed automatic	175	37,675.00	45,210.00	855.00	46,860.00	45,950.00	37
AMG Line Premium	GLC 220 d 4MATIC Diesel – 1,950 cc, 4-cylinder, 194 hp/143 kW	9G-TRONIC PLUS 9-speed automatic	145	39,516.67	47,420.00	210.00	48,425.00	48,160.00	34
	GLC 300 d 4MATIC Diesel – 1,950 cc, 4-cylinder, 245 hp/180 kW	9G-TRONIC PLUS 9-speed automatic	159	41,229.17	49,475.00	530.00	50,800.00	50,215.00	36
	GLC 300 4MATIC Petrol – 1,991 cc, 4-cylinder, 258 hp/190 kW	9G-TRONIC PLUS 9-speed automatic	175	40,591.67	48,710.00	855.00	50,360.00	49,450.00	37
AMG Line Premium Plus	GLC 300 d 4MATIC Diesel – 1,950 cc, 4-cylinder, 245 hp/180 kW	9G-TRONIC PLUS 9-speed automatic	159	44,354.17	53,225.00	530.00	54,550.00	53,965.00	36
	GLC 300 4MATIC Petrol – 1,991 cc, 4-cylinder, 258 hp/190 kW	9G-TRONIC PLUS 9-speed automatic	175	43,716.67	52,460.00	855.00	54,110.00	53,200.00	37
AMG Line Ultimate	GLC 300 d 4MATIC Diesel – 1,950 cc, 4-cylinder, 245 hp/180 kW	9G-TRONIC PLUS 9-speed automatic	159	46,641.67	55,970.00	530.00	57,295.00	56,710.00	36
	GLC 300 4MATIC Petrol – 1,991 cc, 4-cylinder, 258 hp/190 kW	9G-TRONIC PLUS 9-speed automatic	175	46,004.17	55,205.00	855.00	56,855.00	55,945.00	37

¹The indicated values were determined according to the prescribed measurement method – Worldwide Harmonised Light Vehicle Test Procedure (WLTP). Figures shown may include options which are not available in the UK

*CO₂ figures have been converted into NEDC-equivalent values for use with the current VED and BIK tax legislation

Figures shown are for comparability purposes; only compare with other cars tested to the same technical procedures. Figures may not reflect real life driving results, which will depend upon a number of factors including factory-fitted options, accessories fitted (post registration), variations in weather, driving styles and vehicle load. Further information about the test used to establish fuel consumption and CO₂ figures can be found at <http://www.mercedes-benz.co.uk/WLTP>

²GLC 220 d 4MATIC and GLC 300 d 4MATIC engines are RDE (Real Driving Emissions) Step 2 Certified (Euro 6d-ISC). This results in a lower VED and BIK rate as these engines will not be subject to the diesel surcharge. A different first year rate of Vehicle Excise Duty (Road Fund Licence) applies for new cars. Please refer to page 92 for the relevant rate for the second and subsequent years

³The recommended on-the-road price includes the Road Fund Licence applicable to the standard model plus delivery charge (£715.00 incl. VAT), new vehicle registration fee (£55.00) and number plates (£25.00 incl. VAT). VAT is calculated at the standard rate of 20%



Book a > SUV
test drive > AMG



View offers > SUV
> Coupé



> Find a Retailer



> View the Range Guide

Model line	Engine	Transmission	CO ₂ ^{1,*}	Basic RRP excl. VAT (£)	Total RRP incl. VAT (£)	Road Fund Licence (£) ²	Rec. OTR price (£) ³	P11D value (£)	BiK tax rate 2019/20 (%)
Mercedes-AMG	Mercedes-AMG GLC 43 4MATIC Petrol – 2,996 cc, 6-cylinder, 390 hp/287 kW	AMG SPEEDSHIFT TCT 9-speed auto.	232	41,983.33	50,380.00	1,815.00	52,990.00	51,120.00	37
	Mercedes-AMG GLC 63 4MATIC+ Petrol – 3,982 cc, 8-cylinder, 476 hp/350 kW	AMG SPEEDSHIFT MCT 9-speed auto.	275	61,865.83	74,239.00	2,135.00	77,169.00	74,979.00	37
	Mercedes-AMG GLC 63 S 4MATIC+ Petrol – 3,982 cc, 8-cylinder, 510 hp/375 kW	AMG SPEEDSHIFT MCT 9-speed auto.	279	71,245.83	85,495.00	2,135.00	88,425.00	86,235.00	37
Mercedes-AMG Premium	Mercedes-AMG GLC 43 4MATIC Petrol – 2,996 cc, 6-cylinder, 390 hp/287 kW	AMG SPEEDSHIFT TCT 9-speed auto.	232	44,900.00	53,880.00	1,815.00	56,490.00	54,620.00	37
Mercedes-AMG Premium Plus	Mercedes-AMG GLC 43 4MATIC Petrol – 2,996 cc, 6-cylinder, 390 hp/287 kW	AMG SPEEDSHIFT TCT 9-speed auto.	240	48,025.00	57,630.00	1,815.00	60,240.00	58,370.00	37
	Mercedes-AMG GLC 63 4MATIC+ Petrol – 3,982 cc, 8-cylinder, 476 hp/350 kW	AMG SPEEDSHIFT MCT 9-speed auto.	275	63,949.16	76,739.00	2,135.00	79,669.00	77,479.00	37
	Mercedes-AMG GLC 63 S 4MATIC+ Petrol – 3,982 cc, 8-cylinder, 510 hp/375 kW	AMG SPEEDSHIFT MCT 9-speed auto.	279	73,329.16	87,995.00	2,135.00	90,925.00	88,735.00	37

¹The indicated values were determined according to the prescribed measurement method – Worldwide Harmonised Light Vehicle Test Procedure (WLTP). Figures shown may include options which are not available in the UK

*CO₂ figures have been converted into NEDC-equivalent values for use with the current VED and BiK tax legislation

Figures shown are for comparability purposes; only compare with other cars tested to the same technical procedures. Figures may not reflect real life driving results, which will depend upon a number of factors including factory-fitted options, accessories fitted (post registration), variations in weather, driving styles and vehicle load. Further information about the test used to establish fuel consumption and CO₂ figures can be found at <http://www.mercedes-benz.co.uk/WLTP>

²GLC 220 d 4MATIC and GLC 300 d 4MATIC engines are RDE (Real Driving Emissions) Step 2 Certified (Euro 6d-ISC). This results in a lower VED and BiK rate as these engines will not be subject to the diesel surcharge. A different first year rate of Vehicle Excise Duty (Road Fund Licence) applies for new cars. Please refer to page 92 for the relevant rate for the second and subsequent years

³The recommended on-the-road price includes the Road Fund Licence applicable to the standard model plus delivery charge (£715.00 incl. VAT), new vehicle registration fee (£55.00) and number plates (£25.00 incl. VAT). VAT is calculated at the standard rate of 20%



Book a [SUV](#)
test drive [AMG](#)



View offers [SUV](#)
[Coupe](#)

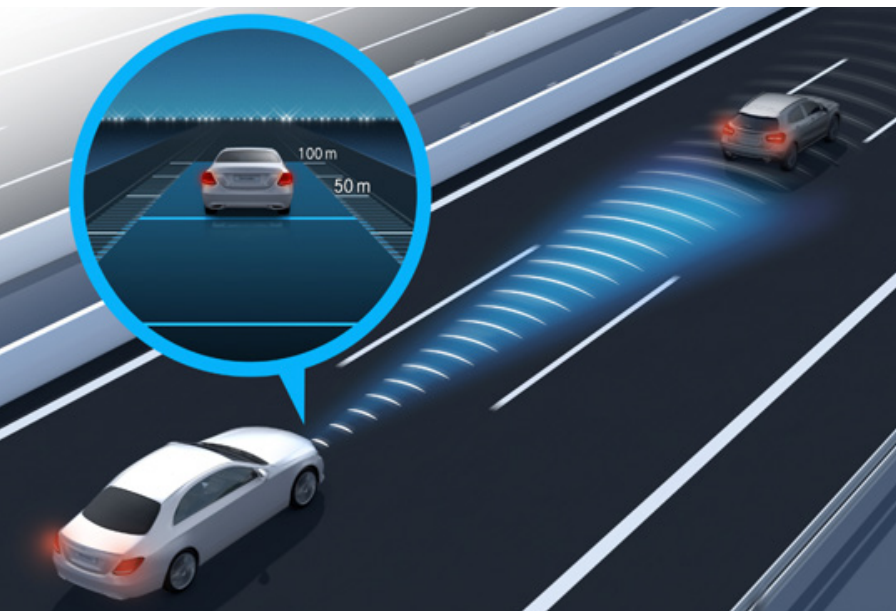


[Find a Retailer](#)



[View the Range Guide](#)

Driving Assistance package



DISTRONIC PLUS with Steering Assist and Stop&Go Pilot



Active Blind Spot Assist

This comprehensive package includes many advanced features to help keep you safe on the road.

Driving Assistance package (code 23P) – designed and priced as a package, including items as listed below.

All models excluding Sport

Total incl. VAT £1,695.00

Driving Assistance package comprises:

Active Blind Spot Assist	Displays a red triangle in the exterior mirrors: when a road user is detected in the blind spot, the red triangle flashes and an audible warning sounds if the driver operates the indicators. Includes course-correcting braking intervention
Active Lane Keeping Assist	Detects signs of inadvertent drifting out of lane and warns the driver by vibrating the steering wheel and, if necessary, will trigger one-sided braking intervention
BAS PLUS with Cross-Traffic Assist	Brake Assist System can lower the risk of rear-end collisions and support the driver during emergency braking by providing additional brake pressure
DISTRONIC PLUS with Steering Assist and Stop&Go Pilot	Helps the driver to maintain a safe distance to the vehicle in front and so relieves strain on the driver, especially on long journeys or in a traffic jam
PRE-SAFE® Brake	Warns the driver if it detects that a rear-end collision is imminent and, if there is no reaction, can take autonomous action to reduce the speed – even to the extent of full brake application



Book a [▶ SUV](#)
test drive [▶ AMG](#)



View offers [▶ SUV](#)
[▶ Coupé](#)



[▶ Find a Retailer](#)



[▶ View the Range Guide](#)

Colours and materials





Book a [SUV](#)
test drive [AMG](#)



View offers [SUV](#)
[Coupe](#)



[Find a Retailer](#)



[View the Range Guide](#)

Colours and materials

49

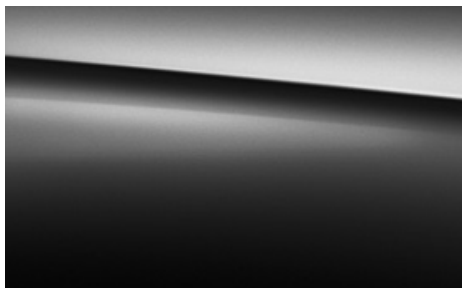
Non-metallic and metallic paints

Total prices incl. VAT



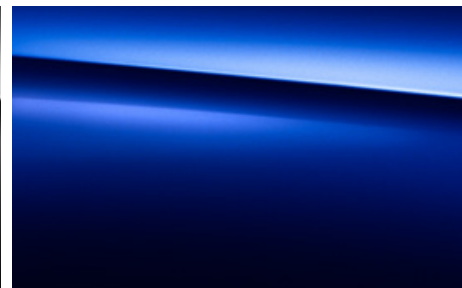
149 polar white

standard



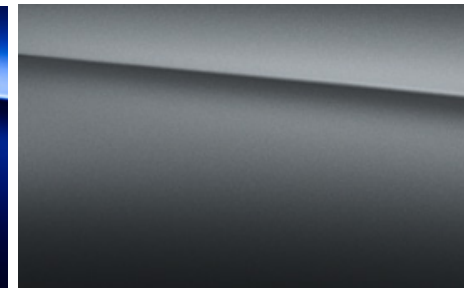
197 obsidian black metallic

£685.00



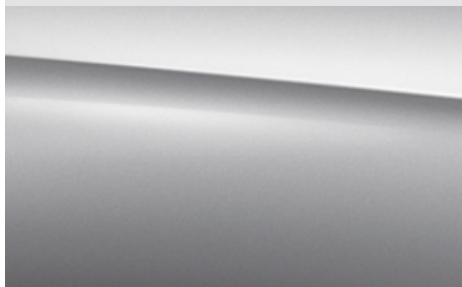
896 brilliant blue metallic

£685.00



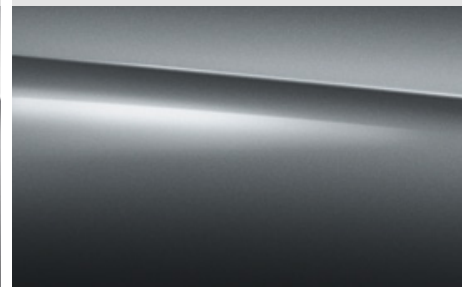
297 designo selenite grey magno¹

£1,495.00



775 iridium silver metallic

£685.00



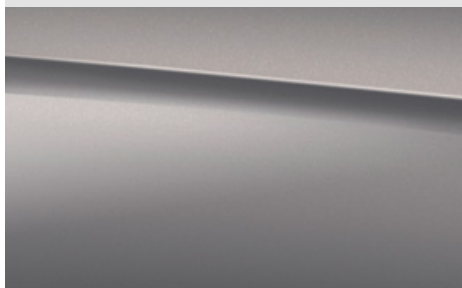
992 selenite grey metallic

£685.00



799 designo diamond white bright

£895.00



859 mojave silver metallic

£685.00



996 designo hyacinth red

£895.00

¹Available on Mercedes-AMG GLC 63/63S only Please note that, owing to limitations of on-screen representation, paint colours may differ from those shown



Book a [SUV](#)
test drive [AMG](#)



View offers [SUV](#)
[Coupe](#)



[Find a Retailer](#)



[View the Range Guide](#)

Trim



H80 high-gloss black

Sport	●
AMG Line	-
Mercedes-AMG GLC 43	-
Mercedes-AMG GLC 63/S	-
Premium/Premium Plus/Ulimate equipment lines	-



H31 grey open-pore oak wood

Sport	-
AMG Line	●
Mercedes-AMG GLC 43	●
Mercedes-AMG GLC 63/S	-
Premium/Premium Plus/Ulimate equipment lines	-



Book a test drive > SUV
> AMG



View offers > SUV
> Coupé



> Find a Retailer



> View the Range Guide



736 black open-pore ash wood

Sport	-
AMG Line	-
Mercedes-AMG GLC 43	-
Mercedes-AMG GLC 63/S	●
Premium/Premium Plus/Ultimate equipment lines	●



H73 AMG carbon fibre with aluminium

Sport	-
AMG Line	-
Mercedes-AMG GLC 43	-
Mercedes-AMG GLC 63/S	○
Premium/Premium Plus/Ultimate equipment lines	-

Total RRP incl. VAT (£)	545.00
excl. VAT (£)	454.17



Book a [▶ SUV](#)
test drive [▶ AMG](#)



View offers [▶ SUV](#)
[▶ Coupé](#)



[▶ Find a Retailer](#)



[▶ View the Range Guide](#)

Upholstery



101A ARTICO man-made leather – black

Sport	●
AMG Line	–
Mercedes-AMG GLC 43	–
Mercedes-AMG GLC 63/S	–
Premium/Premium Plus/Ultimate equipment lines	–



115A ARTICO man-made leather – silk beige

Sport	○
AMG Line	–
Mercedes-AMG GLC 43	–
Mercedes-AMG GLC 63/S	–
Premium/Premium Plus/Ultimate equipment lines	–



651A ARTICO man-made leather/DINAMICA microfibre – black

Sport	–
AMG Line	●
Mercedes-AMG GLC 43	–
Mercedes-AMG GLC 63/S	–
Premium/Premium Plus/Ultimate equipment lines	–



Book a [test drive](#) > SUV
> AMG



View offers > SUV
> Coupé



> Find a Retailer



> View the Range Guide



641A ARTICO man-made leather/DINAMICA microfibre – black/red

Sport	-
AMG Line	-
Mercedes-AMG GLC 43	●
Mercedes-AMG GLC 63/S	-
Premium/Premium Plus/Ultimate equipment lines	-



241A Leather¹ – black/red

Sport	-
AMG Line	-
Mercedes-AMG GLC 43 Premium/Premium Plus	●
Mercedes-AMG GLC 63/S	-
Premium/Premium Plus/Ultimate equipment lines	-



261A Leather¹ – black

Sport	-
AMG Line	-
Mercedes-AMG GLC 43 Premium/Premium Plus	○
Mercedes-AMG GLC 63/S	-
Premium/Premium Plus/Ultimate equipment lines	-

● Standard ○ No-cost option - Not available ¹At least 80% of the seat upholstery is pure leather, while up to 20% may consist of man-made leather



Book a [> SUV](#)
test drive [> AMG](#)



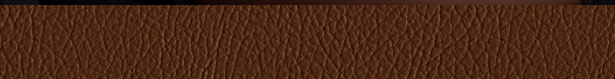
View offers [> SUV](#)
[> Coupé](#)



[> Find a Retailer](#)

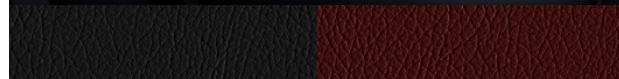


[> View the Range Guide](#)



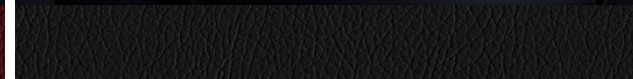
264A Leather¹ – saddle brown

Sport	-
AMG Line	-
Mercedes-AMG GLC 43 Premium/Premium Plus	○
Mercedes-AMG GLC 63/S	-
Premium/Premium Plus/Ultimate equipment lines	-



297A Leather¹ – cranberry black/red

Sport	-
AMG Line	-
Mercedes-AMG GLC 43 Premium/Premium Plus	○
Mercedes-AMG GLC 63/S	-
Premium/Premium Plus/Ultimate equipment lines	-



221A Leather¹ – black

Sport	-
AMG Line	-
Mercedes-AMG GLC 43	-
Mercedes-AMG GLC 63/S	-
Premium/Premium Plus/Ultimate equipment lines	●

● Standard ○ No-cost option - Not available ¹At least 80% of the seat upholstery is pure leather, while up to 20% may consist of man-made leather



Book a [> SUV](#)
test drive [> AMG](#)



View offers [> SUV](#)
[> Coupé](#)



[> Find a Retailer](#)



[> View the Range Guide](#)



297A Leather¹ – cranberry red/black

Sport	-
AMG Line	-
Mercedes-AMG GLC 43	○
Mercedes-AMG GLC 63/S	-
Premium/Premium Plus/Ultimate equipment lines	○



234A Leather¹ – saddle brown

Sport	-
AMG Line	-
Mercedes-AMG GLC 43	-
Mercedes-AMG GLC 63/S	-
Premium/Premium Plus/Ultimate equipment lines	○



801A/811A Nappa leather¹ – black

Sport	-
AMG Line	-
Mercedes-AMG GLC 43	-
Mercedes-AMG GLC 63/S	●
Premium/Premium Plus/Ultimate equipment lines	-



Book a [> SUV](#)
test drive [> AMG](#)



View offers [> SUV](#)
[> Coupé](#)



[> Find a Retailer](#)



[> View the Range Guide](#)



857A Nappa leather¹ – cranberry red/black

Sport	-
AMG Line	-
Mercedes-AMG GLC 43	-
Mercedes-AMG GLC 63/S	○
Premium/Premium Plus/Ultimate equipment lines	-



851A Nappa leather¹ – platinum white pearl/black

Sport	-
AMG Line	-
Mercedes-AMG GLC 43	-
Mercedes-AMG GLC 63/S	○
Premium/Premium Plus/Ultimate equipment lines	-



Book a test drive > SUV
> AMG



View offers > SUV
> Coupé



> Find a Retailer



> View the Range Guide

Wheels



64R 18" alloy wheels (4) – 5-triple-spoke design, painted high-gloss black with a high-sheen finish
front and rear: 235/60 tyres with TIREFIT

Sport – SUV	●
AMG Line – SUV	–
AMG Line – Coupé	–
AMG Line Premium	–
AMG Line Premium Plus	–
AMG Line Ultimate	–
Mercedes-AMG GLC 43/Premium/Premium Plus	–
Mercedes-AMG GLC 63/Premium Plus	–
Mercedes-AMG GLC 63 S/Premium Plus	–



RTF 19" AMG alloy wheels (4) – 5-twin-spoke design, painted tremolite grey with a high-sheen finish
front and rear: 235/55 tyres with TIREFIT

Sport – SUV	–
AMG Line – SUV	●
AMG Line – Coupé	–
AMG Line Premium	–
AMG Line Premium Plus	–
AMG Line Ultimate	–
Mercedes-AMG GLC 43/Premium/Premium Plus	–
Mercedes-AMG GLC 63/Premium Plus	–
Mercedes-AMG GLC 63 S/Premium Plus	–

RZF 19" AMG alloy wheels (4) – 5-twin-spoke design, painted tremolite grey with a high-sheen finish
front: 235/55 tyres; rear: 255/50 tyres with TIREFIT

Sport – SUV	–
AMG Line – SUV	–
AMG Line – Coupé	●
AMG Line Premium	–
AMG Line Premium Plus	–
AMG Line Ultimate	–
Mercedes-AMG GLC 43	●
Mercedes-AMG GLC 43/Premium/Premium Plus	–
Mercedes-AMG GLC 63/Premium Plus	–
Mercedes-AMG GLC 63 S/Premium Plus	–



Book a [SUV](#)
test drive [AMG](#)



View offers [SUV](#)
[Coupe](#)



[Find a Retailer](#)



[View the Range Guide](#)



688 20" AMG alloy wheels (4) – multi-spoke design, painted titanium grey with a high-sheen finish front and rear: 255/45 tyres with TIREFIT

Sport – SUV	–
AMG Line – SUV/Coupé	–
AMG Line Premium – SUV	●
AMG Line Premium – Coupé	–
AMG Line Premium Plus/Ultimate – SUV	–
AMG Line Premium Plus/Ultimate – Coupé	–
Mercedes-AMG GLC 43/Premium/Premium Plus	–
Mercedes-AMG GLC 63/Premium Plus	–
Mercedes-AMG GLC 63 S/Premium Plus	–

92R 20" AMG alloy wheels (4) – multi-spoke design, painted titanium grey with a high-sheen finish front: 255/45 tyres; rear: 285/40 tyres with TIREFIT

Sport – SUV	–
AMG Line – SUV/Coupé	–
AMG Line Premium – SUV	–
AMG Line Premium – Coupé	●
AMG Line Premium Plus/Ultimate – SUV	–
AMG Line Premium Plus/Ultimate – Coupé	–
Mercedes-AMG GLC 43/Premium/Premium Plus	–
Mercedes-AMG GLC 63	–
Mercedes-AMG GLC 63 S	–



RTW 20" AMG alloy wheels (4) – 5-twin-spoke design, painted titanium grey with a high-sheen finish front and rear: 255/45 tyres with TIREFIT

Sport – SUV	–
AMG Line – SUV/Coupé	–
AMG Line Premium – SUV	–
AMG Line Premium – Coupé	–
AMG Line Premium Plus/Ultimate – SUV	●
AMG Line Premium Plus/Ultimate – Coupé	–
Mercedes-AMG GLC 43/Premium/Premium Plus	–
Mercedes-AMG GLC 63/Premium Plus	–
Mercedes-AMG GLC 63 S/Premium Plus	–

RZX 20" AMG alloy wheels (4) – 5-twin-spoke design, painted titanium grey with a high-sheen finish front: 255/45 tyres; rear: 285/40 tyres with TIREFIT

Sport – SUV	–
AMG Line – SUV/Coupé	–
AMG Line Premium – SUV	–
AMG Line Premium – Coupé	–
AMG Line Premium Plus/Ultimate – SUV	–
AMG Line Premium Plus/Ultimate – Coupé	●
Mercedes-AMG GLC 43/Premium/Premium Plus	–
Mercedes-AMG GLC 63/Premium Plus	–
Mercedes-AMG GLC 63 S/Premium Plus	–



Book a test drive > SUV
> AMG



View offers > SUV
> Coupé



> Find a Retailer



> View the Range Guide



RZY 20" AMG alloy wheels (4) – 5-twin-spoke design, painted high-gloss black with a high-shine finish
front: 255/45 tyres; rear: 285/40 tyres

Sport – SUV	–
AMG Line – SUV	–
AMG Line – Coupé	–
AMG Line Premium	–
AMG Line Premium Plus	–
AMG Line Ultimate	–
Mercedes-AMG GLC 43 Premium	●
Mercedes-AMG GLC 63/Premium Plus	–
Mercedes-AMG GLC 63 S/Premium Plus	–



RWN 21" AMG alloy wheels (4) – 5-twin-spoke design, painted black with a high-shine finish
front: 255/40 tyres; rear: 285/35 tyres

Sport – SUV	–
AMG Line – SUV	–
AMG Line – Coupé	–
AMG Line Premium	–
AMG Line Premium Plus	–
AMG Line Ultimate	–
Mercedes-AMG GLC 43 Premium Plus	●
Mercedes-AMG GLC 63/Premium Plus	–
Mercedes-AMG GLC 63 S/Premium Plus	–



Book a test drive > SUV
> AMG



View offers > SUV
> Coupé



> Find a Retailer



> View the Range Guide

Wheels

60



RVA 19" AMG alloy wheels (4) – 10-spoke design, painted titanium grey with a high-sheen finish
front: 235/55 tyres; rear: 255/50 tyres

Sport – SUV	–
AMG Line – SUV	–
AMG Line – Coupé	–
AMG Line Premium	–
AMG Line Premium Plus	–
AMG Line Ultimate	–
Mercedes-AMG GLC 43/Premium/Premium Plus	–
Mercedes-AMG GLC 63/Premium Plus	●
Mercedes-AMG GLC 63 S/Premium Plus	–



RZS 20" AMG alloy wheels (4) – 5-twin-spoke design, painted titanium grey with a high-sheen finish
front: 265/45 tyres; rear: 295/40 tyres

Sport – SUV	–	–
AMG Line – SUV	–	–
AMG Line – Coupé	–	–
AMG Line Premium	–	–
AMG Line Premium Plus	–	–
AMG Line Ultimate	–	–
Mercedes-AMG GLC 43/Premium/Premium Plus	–	–
Mercedes-AMG GLC 63/Premium Plus	○	–
Mercedes-AMG GLC 63 S/Premium Plus	–	●

Total RRP incl. VAT (£)	595.00	–
excl. VAT (£)	495.83	



Book a > SUV
test drive > AMG



View offers > SUV
> Coupé



> Find a Retailer



> View the Range Guide



RWD 21" AMG alloy wheels (4) – cross-spoke design, painted titanium grey with a high-shine finish
front: 265/40 tyres; rear: 295/35 tyres

Sport – SUV	–	–
AMG Line – SUV	–	–
AMG Line – Coupé	–	–
AMG Line Premium	–	–
AMG Line Premium Plus	–	–
AMG Line Ultimate	–	–
Mercedes-AMG GLC 43/Premium/Premium Plus	–	–
Mercedes-AMG GLC 63/Premium Plus	○	–
Mercedes-AMG GLC 63 S/Premium Plus	–	○
Total RRP incl. VAT (£)	2,250.00	1,360.00
excl. VAT (£)	1,875.00	1,133.33



RWE 21" AMG alloy wheels (4) – cross-spoke design, painted black with a high-shine rim flange
front: 265/40 tyres; rear: 295/35 tyres

Sport – SUV	–	–
AMG Line – SUV	–	–
AMG Line – Coupé	–	–
AMG Line Premium	–	–
AMG Line Premium Plus	–	–
AMG Line Ultimate	–	–
Mercedes-AMG GLC 43/Premium/Premium Plus	–	–
Mercedes-AMG GLC 63/Premium Plus	○	–
Mercedes-AMG GLC 63 S/Premium Plus	–	○
Total RRP incl. VAT (£)	2,500.00	1,735.00
excl. VAT (£)	2,083.33	1,445.83



Book a test drive > SUV
> AMG



View offers > SUV
> Coupé



> Find a Retailer



> View the Range Guide



RZT 20" AMG alloy wheels (4) – 5-twin-spoke design, painted matt black with a high-sheen finish
front: 265/45 tyres; rear: 295/40 tyres

Sport – SUV	–
AMG Line – SUV	–
AMG Line – Coupé	–
AMG Line Premium	–
AMG Line Premium Plus	–
AMG Line Ultimate	–
Mercedes-AMG GLC 43/Premium/Premium Plus	–
Mercedes-AMG GLC 63/Premium Plus	△
Mercedes-AMG GLC 63 S/Premium Plus	△



RWL 21" AMG alloy wheels (4) – multi-spoke design, painted matt black with a high-sheen finish
front: 265/40 tyres; rear: 295/35 tyres

Sport – SUV	–	–
AMG Line – SUV	–	–
AMG Line – Coupé	–	–
AMG Line Premium	–	–
AMG Line Premium Plus	–	–
AMG Line Ultimate	–	–
Mercedes-AMG GLC 43/Premium/Premium Plus	–	–
Mercedes-AMG GLC 63/Premium Plus	○	–
Mercedes-AMG GLC 63 S/Premium Plus	–	○

Total RRP incl. VAT (£)	2,500.00	1,735.00
excl. VAT (£)	2,083.33	1,445.83



Standard equipment

Item	Sport	AMG Line	AMG Line Premium	AMG Line Premium Plus	AMG Line Ultimate
Transmission and Suspension					
4MATIC permanent four-wheel drive	●	●	●	●	●
9G-TRONIC PLUS 9-speed automatic transmission with steering column gear selector, DIRECT SELECT steering wheel gearshift paddles and SPEEDTRONIC cruise control with variable speed limiter	●	●	●	●	●
DYNAMIC SELECT with a choice of driving modes: Comfort, Eco, Sport, Sport+ and Individual	●	●	●	●	●
ECO start/stop function	●	●	●	●	●
Suspension – AGILITY CONTROL comfort suspension	●	–	–	–	–
Suspension – AIR BODY CONTROL air suspension for front and rear axles with continuously adjustable damping	–	–	–	–	●
Suspension – sports suspension tuned for improved handling and driving dynamics	–	●	●	●	–

Item	Sport	AMG Line	AMG Line Premium	AMG Line Premium Plus	AMG Line Ultimate
Exterior					
Mirror package – electrically-folding mirrors and automatically-dimming exterior driver’s mirror and rear view mirror	●	●	●	●	●
AMG bodystyling – AMG front apron with sporty air intakes and chrome trim element; AMG diffuser-look rear apron with insert in black	–	●	●	●	●
Brake calipers – with ‘Mercedes-Benz’ lettering and perforated front brake discs	–	●	●	●	●
Chrome trim – front, side and rear	●	●	●	●	●
Diesel particulate filter (DPF) – diesel models only	●	●	●	●	●
EASY-PACK powered tailgate The EASY-PACK boot lid can be opened and closed at the touch of a button for more convenient loading and unloading of the boot	●	●	●	●	●
Exterior mirrors – heated and electrically adjustable	●	●	●	●	●
Fuel tank – 50 litres (diesel models)	●	●	●	●	●
Fuel tank – 66 litres (petrol models)	●	●	●	●	●
Headlamp Assist – automatic headlamp activation	●	●	●	●	●
Headlamps – LED High Performance headlamps with integral LED daytime running lamps	●	●	–	–	–
Headlamps – MULTIBEAM LED Headlamps with 84 individually-controlled LEDs, integrated daytime running lamps, Active Light System, cornering light function, motorway mode function, enhanced fog lamp function, Adaptive Highbeam Assist and locator lighting	–	–	●	●	●



Book a > SUV
test drive > AMG



View offers > SUV
> Coupé



> Find a Retailer



> View the Range Guide

Standard equipment

64

Item	Sport	AMG Line	AMG Line Premium	AMG Line Premium Plus	AMG Line Ultimate
Exterior (continued)					
Petrol particulate filter (PPF) – petrol models only	●	●	●	●	●
Privacy glass – dark glass from B-pillar backwards	●	●	●	●	●
Radiator grille – integral Mercedes star and two louvres in matt iridium silver with chrome inserts	●	–	–	–	–
Radiator grille – diamond grille	–	●	●	●	●
Rain-sensing windscreen wipers	●	●	●	●	●
Roof rails – aluminium finish (SUV only)	●	●	●	●	●
Running boards	–	–	●	●	●
Sunroof – panoramic electric glass sunroof (SUV only)	–	–	–	●	●
Sunroof – sliding glass sunroof (Coupé only)	–	–	–	●	●
Tail lamps – LED	●	●	●	●	●
Tailpipe – two chrome-plated tailpipe trim elements	●	●	●	●	●
Tinted glass all round – single-layer safety glass	●	●	●	●	●

Item	Sport	AMG Line	AMG Line Premium	AMG Line Premium Plus	AMG Line Ultimate
Interior					
Interior Lighting package – lighting of footwells, door handle recesses, as well as rear reading lamps (LED) and courtesy lights in all doors, illuminated vanity mirrors	●	●	●	●	●
Stowage package Map pockets on the back of front seats, net on load compartment floor, folding box beneath load compartment floor, 12 V socket in load compartment, lockable stowage compartment beneath load compartment floor, cargo rails	●	●	●	●	●
Ambient lighting – 64 colours	–	–	●	●	●
EASY-PACK load compartment cover (removable)	●	●	●	●	●
Floor mats – velour mats in interior colour Coloured the same as the car's appointments, the velour floor mats fit in perfectly with the high-quality interior and effectively protect the footwell against soiling	●	–	–	–	–
Floor mats – AMG floor mats with edging and embroidered 'AMG' lettering	–	●	●	●	●
Front door sill panels with 'Mercedes-Benz' lettering	●	●	●	●	●
Instrument cluster with 5.5-inch TFT multifunction display	●	●	–	–	–
Instrument cluster with 12.3-inch digital instrument cluster display. High-resolution instrument cluster screen with choice of three display styles	–	–	●	●	●
KEYLESS-GO starting function	●	●	●	●	●
Outside temperature display, rear seat belt status indicator	●	●	●	●	●

● Standard – Not available



Book a [SUV](#)
test drive [AMG](#)



View offers [SUV](#)
[Coupe](#)



[Find a Retailer](#)



[View the Range Guide](#)

Standard equipment

65

Item	Sport	AMG Line	AMG Line Premium	AMG Line Premium Plus	AMG Line Ultimate
Interior (continued)					
Seats – front, electric adjustment (backrest, height and seat cushion inclination) with four-way electric lumbar support and manual seat cushion depth adjustment (6 cm)	●	●	●	–	–
Seats – front, heated	●	●	●	●	●
Seats – Memory package: driver's seat, front passenger seat, steering column and exterior mirrors – electrically adjustable with memory	–	–	–	●	●
Sports pedals in brushed stainless steel with rubber studs	–	●	●	●	●
Stowage – double cup holder in centre console	●	●	●	●	●
Stowage – illuminated and lockable glove compartment	●	●	●	●	●
THERMATIC – automatic climate control	●	●	●	●	●

Item	Sport	AMG Line	AMG Line Premium	AMG Line Premium Plus	AMG Line Ultimate
Steering					
Steering – Direct-Steer speed sensitive steering	●	●	●	●	●
Steering column – electrically adjustable for height and reach	–	–	–	●	●
Steering column – manually adjustable for height and reach	●	●	●	–	–
Steering wheel – 3-spoke multifunction steering wheel in nappa leather with trim in silver chrome and perforated leather in grip area	●	–	–	–	–
Steering wheel – 3-spoke multifunction AMG steering wheel in black nappa leather with flattened bottom section, chrome inserts and perforated leather in grip area	–	●	●	●	●
Paint, Trim and Upholstery					
Paint – non-metallic	●	●	●	●	●
Trim – high-gloss black	●	–	–	–	–
Trim – open-pore black ash wood	–	–	●	●	●
Trim – open-pore grey oak	–	●	–	–	–
Upholstery – ARTICO man-made leather	●	–	–	–	–
Upholstery – ARTICO man-made leather/ DINAMICA microfibre	–	●	–	–	–
Upholstery – leather	–	–	●	●	●



Book a > SUV
test drive > AMG



View offers > SUV
> Coupé



> Find a Retailer



> View the Range Guide

Item	Sport	AMG Line	AMG Line Premium	AMG Line Premium Plus	AMG Line Ultimate
Safety and Assistance Systems					
KEYLESS-GO Comfort package with convenience opening and closing, hands free access, remote boot closing and chrome door handles	-	-	-	●	●
360° camera – four networked cameras in front grille, wing mirrors and boot capture a 360° bird’s-eye view of vehicle’s immediate surroundings	-	-	-	●	●
Active bonnet – pedestrian safety measure which detects an impact and raises bonnet	●	●	●	●	●
Active Parking Assist with PARKTRONIC Active Parking Assist controls steering inputs automatically to help you manoeuvre into a parking space. PARKTRONIC’s 12 ultrasonic sensors in the front and rear bumpers provide a visible and audible warning to the driver when parking	●	●	●	●	●
Adaptive brake lights	●	●	●	●	●
ADAPTIVE BRAKE system with HOLD function and dry braking in the wet	●	●	●	●	●
Alarm system with immobiliser and interior protection	●	●	●	●	●
ATTENTION ASSIST Continuously analyses driver behaviour and steering movements. If patterns are recognised which characterise drowsiness, the driver is prompted to take a break, and an audible warning is sounded	●	●	●	●	●
Automatic child seat recognition sensor	●	●	●	●	●

Item	Sport	AMG Line	AMG Line Premium	AMG Line Premium Plus	AMG Line Ultimate
COLLISION PREVENTION ASSIST PLUS The driver is given a visual warning if the distance from a vehicle in front is inadequate. On detecting the danger of a collision there is an acoustic warning, driver braking can be assisted and, if the driver fails to react, the speed can be reduced autonomously. Autonomous partial braking only occurs if the driver fails to react and is travelling at a speed range between 4–65 mph speeds for moving objects and 4–31 mph for stationary objects	●	●	●	●	●
Dual-stage airbags – driver and front passenger; driver kneebag and windowbags for driver, front passenger and rear passengers	●	●	●	●	●
Electric parking brake	●	●	●	●	●
Electronic Stability Programme (ESP®) with Curve Dynamic Assist and Crosswind Assist For greater driving safety and stability, in particular when accelerating on bends; counters understeer by one-sided braking action. Detects sudden, strong gusts of wind and helps the driver stay in lane by means of targeted braking	●	●	●	●	●
ISOFIX child seat attachment points with top tether in rear (two outer seats)	●	●	●	●	●
Remote boot release	●	●	●	●	●
Reversing camera	●	●	●	-	-
Service indicator ASSYST	●	●	●	●	●
Tyre pressure monitoring system	●	●	●	●	●



Book a > SUV
test drive > AMG



View offers > SUV
> Coupé



> Find a Retailer



> View the Range Guide

Standard equipment

Item	Sport	AMG Line	AMG Line Premium	AMG Line Premium Plus	AMG Line Ultimate
Communications and In-Car Entertainment					
Augmented reality for navigation A camera in the windscreen records the area in front of the vehicle. This recording runs in the media display. Superimposed highlighted information, such as house numbers and street names, facilitates orientation at the destination	-	-	●	●	●
Burmester® surround sound system 3 high-performance speakers; 1 tweeter each in the front and rear doors; 1 mid-range speaker each in the front and rear doors; 1 mid-range speaker on the dashboard as a centre speaker; 2 mid-range speakers in the D-pillar trim as surround speakers; 2 Frontbass speakers, one each in the driver and front passenger footwells; 9-channel DSP amplifier with a total output of 590 W (7×50 W and 2×120 W)	-	-	-	●	●
DAB digital radio tuner	●	●	●	●	●
Hard-disk navigation	●	●	●	●	●
“Hey Mercedes” voice activation	●	●	●	●	●
Media display – 10.25-inch touchscreen display	●	●	●	●	●
Mercedes-Benz sound system (225 W) Four mid-range speakers, two tweeters, two frontbass speakers, one centre speaker and 225 W amplifier output	-	-	●	-	-
Smartphone integration comprising Android Auto™ and Apple CarPlay™ Please check on www.apple.com/uk/ios/carplay/ for compatibility and approved apps. Certain features and apps require a 3G or 4G data connection. Control of features available through voice control and controller on centre console	-	-	●	●	●

Item	Sport	AMG Line	AMG Line Premium	AMG Line Premium Plus	AMG Line Ultimate
Traffic Sign Assist	-	-	●	●	●
USB ports (2) in centre console	●	●	●	●	●
Wireless charging	-	-	●	●	●
Mercedes me connect					
Standard services – free of charge for first 10 years Including emergency call system (eCall), accident recovery, breakdown and maintenance management	●	●	●	●	●
Live Traffic and map updates – free of charge for first three years. Extension possible and pricing information available via Mercedes me store Avoid traffic jams with live traffic information and keep your maps up to date via over-the-air updates	●	●	●	●	●
Navigation services – free of charge for first three years. Extension possible and pricing information available via Mercedes me store Wherever you are, you are always provided with ideal information. Your vehicle answers questions about your journey for you, and you can find out about the latest fuel prices at your destination, the number of available parking spaces or the current weather. This makes planning your trip even easier	●	●	●	●	●
Mercedes me connect (Vehicle Set-up and Vehicle Monitoring) Onboard use of remote and location services, e.g. geographic vehicle monitoring, vehicle location, remote door locking and unlocking, remote interrogation of vehicle status. Remote Online subscription services are limited to three years from initial registration, and can be extended at additional cost	●	●	●	●	●



Book a > SUV
test drive > AMG



View offers > SUV
> Coupé



> Find a Retailer



> View the Range Guide

AMG standard equipment

Item	AMG GLC 43	AMG GLC 43 Premium	AMG GLC 43 Premium Plus	AMG GLC 63	AMG GLC 63 Premium Plus	AMG GLC 63 S	AMG GLC 63 S Premium Plus
Transmission and Suspension							
AMG Driver's package Includes an increase to your vehicle's electronically-limited top speed (167mph for GLC 63 or 174mph for GLC 63 S)	-	-	-	○	○	●	●
AMG Performance 4MATIC+	●	●	●	●	●	●	●
AMG SPEEDSHIFT TCT 9-speed automatic transmission with steering column gear selector, DIRECT SELECT steering wheel gearshift paddles and SPEEDTRONIC cruise control with variable speed limiter	●	●	●	-	-	-	-
AMG SPEEDSHIFT MCT 9-speed automatic sports transmission steering wheel gearshift paddles and RACE START function	-	-	-	●	●	●	●
AMG electronic rear-axle limited-slip differential	●	●	●	●	●	●	●
AMG TRACK PACE iOS smartphone app that records vehicle-specific data (e.g. speed, acceleration) as well as lap and sector times for driver analysis. Enables video recordings via smartphone/GoPro to support sharing information via social media networks	-	-	-	-	-	●	●
DYNAMIC SELECT with a choice of driving modes: Comfort, Eco, Sport, Sport+ and Individual	●	●	●	●	●	●	●
ECO start/stop function	●	●	●	●	●	●	●
Suspension - AIR BODY CONTROL air suspension for front and rear axles with continuously adjustable damping	-	-	-	●	●	●	●
Suspension - AMG RIDE CONTROL air suspension for front and rear axles with continuously adjustable damping	●	●	●	-	-	-	-

● Standard - Not available

Item	AMG GLC 43	AMG GLC 43 Premium	AMG GLC 43 Premium Plus	AMG GLC 63	AMG GLC 63 Premium Plus	AMG GLC 63 S	AMG GLC 63 S Premium Plus
Exterior							
Mirror package - electrically-folding mirrors and automatically-dimming exterior driver's mirror and rear view mirror	●	●	●	●	●	●	●
AMG bodystyling - AMG front apron in a jet wing design with front splitter in matt iridium silver, two black louvres in each of the outer air intakes, AMG side sill panels, AMG rear apron with diffuser fins	●	●	●	●	●	●	●
Brake calipers - with 'Mercedes-Benz' lettering and perforated front brake discs	●	●	●	●	●	●	●
Chrome trim - front, side and rear	●	●	●	●	●	●	●
EASY-PACK powered tailgate The EASY-PACK boot lid can be opened and closed at the touch of a button for more convenient loading and unloading of the boot	●	●	●	●	●	●	●
Exterior mirrors - heated and electrically adjustable	●	●	●	●	●	●	●
Fuel tank - 66 litres (petrol models)	●	●	●	●	●	●	●
Headlamp Assist - automatic headlamp activation	●	●	●	●	●	●	●
Headlamps - LED High Performance headlamps with integral LED daytime running lamps	●	-	-	-	-	-	-
Headlamps - MULTIBEAM LED Headlamps with 84 individually-controlled LEDs, integrated daytime running lamps, Active Light System, cornering light function, motorway mode function, enhanced fog lamp function, Adaptive Highbeam Assist and locator lighting	-	●	●	●	●	●	●
Petrol particulate filter (PPF) - petrol models only	●	●	●	●	●	●	●



Book a > SUV
test drive > AMG



View offers > SUV
> Coupé



> Find a Retailer



> View the Range Guide

Item	AMG GLC 43	AMG GLC 43 Premium	AMG GLC 43 Premium Plus	AMG GLC 63	AMG GLC 63 Premium Plus	AMG GLC 63 S	AMG GLC 63 S Premium Plus
Exterior (continued)							
Privacy glass – dark glass from B-pillar backwards	●	●	●	●	●	●	●
Radiator grille – AMG-specific radiator grille with black vertical louvres and trim strip in high-gloss chrome	●	●	●	●	●	●	●
Rain-sensing windscreen wipers	●	●	●	●	●	●	●
Roof rails – aluminium finish (SUV only)	●	●	●	●	●	●	●
Running boards	-	●	●	●	●	●	●
Sunroof – panoramic electric glass sunroof (SUV only)	-	-	●	-	●	-	●
Sunroof – sliding glass sunroof (Coupé only)	-	-	●	-	●	-	●
Tail lamps – LED	●	●	●	●	●	●	●
Tailpipe – two chrome-plated tailpipe trim elements	●	●	●	●	●	●	●
Tinted glass all round – single-layer safety glass	●	●	●	●	●	●	●
'V8 BITURBO 4MATIC+' lettering on the front wings	-	-	-	●	●	●	●

Item	AMG GLC 43	AMG GLC 43 Premium	AMG GLC 43 Premium Plus	AMG GLC 63	AMG GLC 63 Premium Plus	AMG GLC 63 S	AMG GLC 63 S Premium Plus
Interior							
Interior Lighting package Lighting of footwells, door handle recesses, as well as rear reading lamps (LED) and courtesy lights in all doors, illuminated vanity mirrors	●	●	●	●	●	●	●
Memory package Driver's seat, front passenger seat, steering column and exterior mirrors – electrically adjustable with memory	-	-	●	-	●	-	●
Stowage package Map pockets on the back of front seats, net on load compartment floor, folding box beneath load compartment floor, 12 V socket in load compartment, lockable stowage compartment beneath load compartment floor, cargo rails	●	●	●	●	●	●	●
Ambient lighting – 64 colours	-	●	●	●	●	●	●
EASY-PACK load compartment cover (removable)	●	●	●	●	●	●	●
Floor mats – AMG floor mats with edging and embroidered 'AMG' lettering	●	●	●	●	●	●	●
Front door sill panels with 'Mercedes-Benz' lettering	●	●	●	●	●	●	●
Instrument cluster with 5.5-inch TFT multifunction display	●	-	-	-	-	-	-
Instrument cluster with 12.3-inch digital instrument cluster display. High-resolution instrument cluster screen with choice of three display styles	-	●	●	●	●	●	●
KEYLESS-GO starting function	●	●	●	●	●	●	●
Outside temperature display, rear seat belt status indicator	●	●	●	●	●	●	●



Book a [SUV](#)
test drive [AMG](#)



View offers [SUV](#)
[Coupe](#)



[Find a Retailer](#)



[View the Range Guide](#)

Item	AMG GLC 43	AMG GLC 43 Premium	AMG GLC 43 Premium Plus	AMG GLC 63	AMG GLC 63 Premium Plus	AMG GLC 63 S	AMG GLC 63 S Premium Plus
Interior (continued)							
Seats, front – heated	●	●	●	●	●	●	●
Seats, front – electric adjustment (backrest, height and seat cushion inclination) with four-way electric lumbar support and manual seat cushion depth adjustment (6 cm)	●	●	–	●	–	●	–
Seats – Memory package: driver’s seat, front passenger seat, steering column and exterior mirrors – electrically adjustable with memory	–	–	●	–	–	–	●
Sports pedals in brushed stainless steel with rubber studs	●	●	●	●	●	●	●
Stowage – double cup holder in centre console	●	●	●	●	●	●	●
Stowage – illuminated and lockable glove compartment	●	●	●	●	●	●	●
THERMATIC – automatic climate control	●	●	●	●	●	●	●

Steering

Steering – Direct-Steer speed sensitive steering	●	●	●	●	●	●	●
Steering column – manually adjustable for height and reach	●	●	–	–	–	–	–
Steering column – electrically adjustable for height and reach	–	–	●	●	●	●	●
Steering wheel – multifunction sports steering wheel in black nappa leather, with flattened bottom section, heavily embossed in central grip area, with steering wheel trim in silver chrome with contrasting topstitching in red	●	●	●	–	–	–	–
Steering wheel – 3-spoke multifunction AMG steering wheel in black nappa leather with flattened bottom section, chrome inserts and perforated leather in grip area	–	–	–	●	●	●	●

● Standard – Not available

Item

Paint, Trim and Upholstery

Item	AMG GLC 43	AMG GLC 43 Premium	AMG GLC 43 Premium Plus	AMG GLC 63	AMG GLC 63 Premium Plus	AMG GLC 63 S	AMG GLC 63 S Premium Plus
Paint, Trim and Upholstery							
Paint – non-metallic	●	●	●	●	●	●	●
Trim – open-pore grey oak wood	●	–	–	–	–	–	–
Trim – open-pore black ash wood	–	●	●	●	●	●	●
Upholstery – ARTICO man-made leather/DINAMICA microfibre	●	–	–	–	–	–	–
Upholstery – leather	–	●	●	–	–	–	–
Upholstery – nappa leather	–	–	–	●	●	●	●

Safety and Assistance Systems

KEYLESS-GO Comfort package with convenience opening and closing, hands free access, remote boot closing and chrome door handles	–	–	●	–	●	–	●
360° camera – four networked cameras in front grille, wing mirrors and boot capture a 360° bird’s-eye view of vehicle’s immediate surroundings	–	–	●	–	●	–	●
Active bonnet – pedestrian safety measure which detects an impact and raises bonnet	●	●	●	●	●	●	●
Active Parking Assist with PARKTRONIC Active Parking Assist controls steering inputs automatically to help you manoeuvre into a parking space. PARKTRONIC’s 12 ultrasonic sensors in the front and rear bumpers provide a visible and audible warning to the driver when parking	●	●	●	●	●	●	●
Adaptive brake lights	●	●	●	●	●	●	●
ADAPTIVE BRAKE system with HOLD function and dry braking in the wet	●	●	●	●	●	●	●
Alarm system with immobiliser and interior protection	●	●	●	●	●	●	●



Book a > SUV
test drive > AMG



View offers > SUV
> Coupé



> Find a Retailer



> View the Range Guide

Item	AMG GLC 43	AMG GLC 43 Premium	AMG GLC 43 Premium Plus	AMG GLC 63	AMG GLC 63 Premium Plus	AMG GLC 63 S	AMG GLC 63 S Premium Plus
Safety and Assistance Systems (continued)							
ATTENTION ASSIST Continuously analyses driver behaviour and steering movements. If patterns are recognised which characterise drowsiness, the driver is prompted to take a break, and an audible warning is sounded	●	●	●	●	●	●	●
Automatic child seat recognition sensor	●	●	●	●	●	●	●
COLLISION PREVENTION ASSIST PLUS The driver is given a visual warning if the distance from a vehicle in front is inadequate. On detecting the danger of a collision there is an acoustic warning, driver braking can be assisted and, if the driver fails to react, the speed can be reduced autonomously. Autonomous partial braking only occurs if the driver fails to react and is travelling at a speed range between 4–65 mph speeds for moving objects and 4–31 mph for stationary objects	●	●	●	●	●	●	●
Dual-stage airbags – driver and front passenger; driver kneebag and windowbags for driver, front passenger and rear passengers	●	●	●	●	●	●	●
Electric parking brake	●	●	●	●	●	●	●
Electronic Stability Programme (ESP®) with Curve Dynamic Assist and Crosswind Assist For greater driving safety and stability, in particular when accelerating on bends; counters understeer by one-sided braking action. Detects sudden, strong gusts of wind and helps the driver stay in lane by means of targeted braking	●	●	●	●	●	●	●
ISOFIX child seat attachment points with top tether in rear (two outer seats)	●	●	●	●	●	●	●

Item	AMG GLC 43	AMG GLC 43 Premium	AMG GLC 43 Premium Plus	AMG GLC 63	AMG GLC 63 Premium Plus	AMG GLC 63 S	AMG GLC 63 S Premium Plus
Remote boot release	●	●	●	●	●	●	●
Reversing camera	●	●	–	●	–	●	–
Run-flat tyres (SUV)	–	●	●	●	●	●	●
Service indicator ASSYST	●	●	●	●	●	●	●
TIREFIT tyre-sealant kit (SUV)	●	–	–	●	●	●	●
Tyre pressure monitoring system	●	●	●	●	●	●	●

Communications and In-Car Entertainment

Augmented reality for navigation A camera in the windscreen records the area in front of the vehicle. This recording runs in the media display. Superimposed highlighted information, such as house numbers and street names, facilitates orientation at the destination	–	●	●	●	●	●	●
Burmester® surround sound system 3 high-performance speakers; 1 tweeter each in the front and rear doors; 1 mid-range speaker each in the front and rear doors; 1 mid-range speaker on the dashboard as a centre speaker; 2 mid-range speakers in the D-pillar trim as surround speakers; 2 Frontbass speakers, one each in the driver and front passenger footwells; 9-channel DSP amplifier with a total output of 590 W (7 × 50 W and 2 × 120 W)	–	–	●	–	●	–	●



Book a > SUV
test drive > AMG



View offers > SUV
> Coupé



> Find a Retailer



> View the Range Guide

Item	AMG GLC43	AMG GLC43 Premium	AMG GLC43 Premium Plus	AMG GLC63	AMG GLC63 Premium Plus	AMG GLC63 S	AMG GLC63 S Premium Plus
Communications and In-Car Entertainment (continued)							
DAB digital radio tuner	●	●	●	●	●	●	●
Hard-disk navigation	●	●	●	●	●	●	●
“Hey Mercedes” voice activation	●	●	●	●	●	●	●
Media display – 10.25-inch touchscreen display	●	●	●	●	●	●	●
Mercedes-Benz sound system (225 W) Four mid-range speakers, two tweeters, two frontbass speakers, one centre speaker and 225 W amplifier output	–	●	●	●	–	●	–
Smartphone integration comprising Android Auto™ and Apple CarPlay™ Please check on www.apple.com/uk/ios/carplay/ for compatibility and approved apps. Certain features and apps require a 3G or 4G data connection. Control of features available through voice control and controller on centre console	–	●	●	●	●	●	●
Traffic Sign Assist	–	●	●	●	●	●	●
USB ports (2) in centre console	●	●	●	●	●	●	●
Wireless charging	–	●	●	●	●	●	●

Item	AMG GLC43	AMG GLC43 Premium	AMG GLC43 Premium Plus	AMG GLC63	AMG GLC63 Premium Plus	AMG GLC63 S	AMG GLC63 S Premium Plus
Mercedes me connect							
Standard services – free of charge for first 10 years Including emergency call system (eCall), accident recovery, breakdown and maintenance management	●	●	●	●	●	●	●
Live Traffic and map updates – free of charge for first three years. Extension possible and pricing information available via Mercedes me store Avoid traffic jams with live traffic information and keep your maps up to date via over-the-air updates	●	●	●	●	●	●	●
Navigation services – free of charge for first three years. Extension possible and pricing information available via Mercedes me store Wherever you are, you are always provided with ideal information. Your vehicle answers questions about your journey for you, and you can find out about the latest fuel prices at your destination, the number of available parking spaces or the current weather. This makes planning your trip even easier	●	●	●	●	●	●	●
Mercedes me connect (Vehicle Set-up and Vehicle Monitoring) Onboard use of remote and location services, e.g. geographic vehicle monitoring, vehicle location, remote door locking and unlocking, remote interrogation of vehicle status. Remote Online subscription services are limited to three years from initial registration, and can be extended at additional cost	●	●	●	●	●	●	●



Book a [SUV](#)
test drive [AMG](#)



View offers [SUV](#)
[Coupé](#)



[Find a Retailer](#)



[View the Range Guide](#)

Optional equipment

Item	Notes		Sport	AMG Line	AMG Line Premium	AMG Line Premium Plus	AMG Line Ultimate	Basic RRP excl. VAT (£)	Total RRP incl. VAT (£)
Exterior									
Tow bar, fully electric – includes 13-pin socket	When ordering, please discuss with your Retailer any specific electrical towing requirements	550	○	–	–	–	–	625.00	750.00
Paint, Trim and Upholstery									
Paint – metallic	Please refer to page 49 for available options	'	○	○	○	○	○	570.83	685.00
Paint – designo metallic	Please refer to page 49 for available options	'	○	○	○	○	○	745.83	895.00
Safety and Assistance Systems									
Driving Assistance package	Please refer to page 47 for further information	23P	–	–	○	○	○	1,412.50	1,695.00
Service									
ServiceCare ServiceCare allows you to spread the cost of servicing your new car in the Mercedes-Benz Retailer network. Taking out a ServiceCare plan ensures your servicing needs are taken care of by fully-trained Mercedes-Benz Technicians with the added benefit of a Mercedes-Benz service history	Price is based on a monthly rate. Example given is for two services taken over 24 months; three services over 36 months; or four services over 48 months. Further payment options are available. New ServiceCare prices apply only to vehicles up to 12 months old prior to first service	'	○	○	○	○	○	26.67	32.00



Book a [SUV](#)
test drive [AMG](#)



View offers [SUV](#)
[Coupe](#)



[Find a Retailer](#)



[View the Range Guide](#)

AMG optional equipment

Item	Notes		AMG GLC 43	AMG GLC 43 Premium	AMG GLC 43 Premium Plus	AMG GLC 63	AMG GLC 63 Premium Plus	AMG GLC 63 S	AMG GLC 63 S Premium Plus	Basic RRP excl. VAT (£)	Total RRP incl. VAT (£)
AMG Performance Studio											
AMG Driver's package Includes an increase to your vehicle's electronically-limited top speed (167mph for GLC 63 or 174mph for GLC 63 S)	Not available with 19" alloy wheels	250	-	-	-	○	○	●	●	2,295.83.00	2,755.00
AMG Exterior Carbon Fibre package 2 AMG carbon fibre exterior mirror housing AMG carbon fibre spoiler lip	SUV only	B28	-	-	-	○	○	○	○	1,050.00	1,260.00
AMG Night Package Specifically designed for Mercedes-AMG models. With many design details in high-gloss black, such as AMG side sill panel inserts, exterior mirror housings, waistline strip and window frame, the AMG Night package adds a distinct character to the exterior	Comprises: AMG side sill panel inserts in high-gloss black; AMG sports exhaust system with two black chrome-plated twin tailpipe trim elements; exterior mirror housings in high-gloss black; high-gloss black front splitter in AMG front apron; roof rails powder-coated in black matt (SUV only); trim strip on rear apron in high-gloss black (AMG GLC 63 S only); waistline trim strip and window frame in high-gloss black	P60	-	-	-	○	○	○	○	712.50	855.00
AMG high-performance ceramic composite braking system		B07	-	-	-	-	○	○		3,570.83	4,285.00
AMG Performance seats Cushion depth adjustment Pneumatically-adjustable seat side bolsters Steep seat angle and optimum lateral support for dynamic driving		PBZ	-	-	-	○	○	●	●	1,170.83	1,405.00

● Standard ○ Optional - Not available



Book a [SUV](#)
test drive [AMG](#)



View offers [SUV](#)
[Coupe](#)



[Find a Retailer](#)



[View the Range Guide](#)

AMG optional equipment

75

Item	Notes		AMG GLC 43	AMG GLC 43 Premium	AMG GLC 43 Premium Plus	AMG GLC 63	AMG GLC 63 Premium Plus	AMG GLC 63 S	AMG GLC 63 S Premium Plus	Basic RRP excl. VAT (£)	Total RRP incl. VAT (£)
Paint, Trim and Upholstery											
Paint – metallic	Please refer to page 49 for available options	'	○	○	○	○	○	○	○	570.83	685.00
Paint – designo metallic	Please refer to page 49 for available options	'	○	○	○	○	○	○	○	745.83	895.00
Paint – designo selenite grey magno	Please refer to page 49 for available options	U34 297	-	-	-	○	○	○	○	1,245.83	1,495.00
Trim – ARTICO man-made leather dashboard and door beltlines in nappa leather-look with contrast stitching		U34	○	○	○	○	○	○	○	600.00	720.00
Safety and Assistance Systems											
Driving Assistance package	Please refer to page 47 for further information	463 23P	-	○	○	○	○	○	○	1,412.50	1,695.00
Head-up display Virtual colour image (21 × 7cm) showing driver-related information, such as vehicle speed, directly into the driver's field of vision		463	-	-	-	○	○	○	○	687.50	825.00
Service											
ServiceCare ServiceCare allows you to spread the cost of servicing your new car in the Mercedes-Benz Retailer network. Taking out a ServiceCare plan ensures your servicing needs are taken care of by fully-trained Mercedes-Benz Technicians with the added benefit of a Mercedes-Benz service history	Price is based on a monthly rate. Example given is for two services taken over 24 months; three services over 36 months; or four services over 48 months. Further payment options are available. New ServiceCare prices apply only to vehicles up to 12 months old prior to first service	'	○	○	○	○	○	○	○	tba	tba



Book a [> SUV](#)
test drive [> AMG](#)



View offers [> SUV](#)
[> Coupé](#)



[> Find a Retailer](#)



[> View the Range Guide](#)

Genuine Accessories

We've developed a range of Accessories you can add to help personalise and enhance your GLC. Your local Mercedes-Benz Retailer can advise on fitting costs of Accessories, where applicable. Further information on our full range of Genuine Accessories can be found **here** on the Mercedes-Benz Cars UK website.

01 | Basic carrier bars

Aluminium carrier bars, precision-tailored to the body of your Mercedes-Benz. The perfect basis for a range of Mercedes-Benz transport accessories: ski and snowboard rack, bicycle rack or roof boxes. With integral tool for quick, easy fitting. The asymmetrical aerodynamic profile enhances ride comfort by significantly reducing wind noise. Theft protected – lockable end caps and tested to exacting Mercedes-Benz standards (including city crash test).

SUV (A2538900593): **RRP £229.50 (incl. VAT)**

Coupé (A2538901100): **RRP £264.00 (incl. VAT)**

02 | Mercedes-Benz roof boxes (part numbers vary)

An aerodynamic design, tailored to your Mercedes-Benz. In extremely durable material. Designed for quick, optimised attachment to the basic carrier bars. Particularly convenient loading and unloading thanks to the option of double-sided opening.

RRP from £361.50 (incl. VAT)

03 | Bicycle rack (A0008900293)

Extremely lightweight bicycle rack, designed to allow you to attach a bicycle to the basic carrier bars or basic carrier bars for roof rails. Bicycles can either be attached to the rack once it has been fitted to the roof or, conveniently, before it is fitted. The support frame can also be folded down when not in use to reduce drag when travelling without cycles.

RRP £121.00 (incl. VAT)

04 | Boot tub, shallow

The shape of the tub, with its slightly raised edge, is optimally tailored to the load area. Very robust – made from impact-resistant, non-split polypropylene. The structured surface prevents the load from sliding around, and makes it easy to secure the optional stowage crate.

SUV (A2538140300): **RRP £90.60 (incl. VAT)**

Coupé (A2538140200): **RRP £106.20 (incl. VAT)**





Book a [▶ SUV test drive](#) [▶ AMG](#)



View offers [▶ SUV](#) [▶ Coupé](#)



[▶ Find a Retailer](#)



[▶ View the Range Guide](#)

05



05 | BABY-SAFE plus II child seat, with ISOFIX (A0009701302)

Suitable for children up to around 15 months of age (up to 13 kg), the seat features automatic child seat recognition and standard automatic airbag shutoff for use on the front passenger seat with airbag. The ISOFIX attachment system comes as standard; but can be used with vehicle's three-point seat belt as an alternative.

RRP £309.75 (incl. VAT)

06



06 | DUO plus child seat, with ISOFIX (A0009701702)

Suitable for children between the ages of 9 months to 4 years (9 to 18 kg), the seat offers optimum protection in the event of an accident. Sitting, reclining and sleeping positions are adjustable with one simple manoeuvre. A system that grows along with your child: the harness height is easy to adjust in seven stages – with central, one-pull belt length adjustment.

RRP £362.25 (incl. VAT)

07



77

07 | KIDFIX XP child seat, with ISOFIX (A0009702302)

Suitable for children between the ages of 3.5–12 years (15–36 kg) and securely attached to the vehicle by means of ISOFIX or the vehicle seat belt. The seat's strengths include its exemplary side impact protection, courtesy of the energy-absorbing XP-PAD, which reduces impact in the event of a collision. Large, padded side wings also enhance side impact protection. Adjustable belt guides and headrest allow the seat to grow with your child.

RRP £368.50 (incl. VAT)



Technical data - SUV

		Diesel engines	
Model		GLC 220 d 4MATIC	GLC 300 d 4MATIC
Engine			
Total displacement	cc	1,950	1,950
Arrangement/cylinders/valves		in-line/4/16	in-line/4/16
Fuel delivery		Common-rail diesel with twin turbochargers	Common-rail diesel with twin turbochargers
Power ¹	hp (kW) at rpm	194 (143)/3,800	245 (180)/4,200
Torque ¹	Nm at rpm	400/1,600–2,800	500/1,600–2,400
Compression ratio		15.5:1	15.5:1
Transmission			
9G-TRONIC PLUS 9-speed automatic		●	●
Tyre sizes			
Front		235/60 R 18	235/60 R 18
Rear		235/60 R 18	235/60 R 18

		Diesel engines	
Model		GLC 220 d 4MATIC	GLC 300 d 4MATIC
Performance			
Acceleration 0–62 mph	sec	7.9	6.5
Top speed	mph	134	144
Weights and capacities			
Kerb weight ²	kg	1,835	1,845
Perm. Gross Vehicle Weight	kg	2,500	2,510
Towing capacity - unbraked/braked ³	kg	750/2,500	750/2,500
Boot capacity - max. seats up/down	l	550/1,600	550/1,600
Fuel tank capacity/of which reserve	l	50/7	50/7
Turning circle	m	11.8	11.8
Wading depth	mm	300	300
Fuel consumption^{4,5,6}			
Combined (consumption dependent on chosen optional equipment)	l/100 km mpg	5.9–6.9 47.9–40.9	6.4–7.2 44.1–39.2

● Standard – Not available ¹Figures according to Directive 80/1269/EEC in the currently applicable version

²Figures according to Directive 92/21/EC (kerb weight with fuel tank 90% full, driver, 68 kg, and luggage, 7 kg) for standard-specification vehicles. Optional extras and accessories will generally increase this figure and reduce the payload capacity accordingly

³Please discuss with your Retailer any specific towing requirements

⁴All figures are based on a standard specification with the smallest tyre size ⁵The choice of wheels and transmission may affect CO₂ emissions and corresponding Road Fund Licence

⁶The indicated values were determined according to the prescribed measurement method - Worldwide Harmonised Light Vehicle Test Procedure (WLTP). Figures shown may include options which are not available in the UK.

Figures shown are for comparability purposes; only compare with other cars tested to the same technical procedures. Figures may not reflect real life driving results, which will depend upon a number of factors including factory-fitted options, accessories fitted (post registration), variations in weather, driving styles and vehicle load. Further information about the test used to establish fuel consumption and CO₂ figures can be found at <http://www.mercedes-benz.co.uk/WLTP>



Book a > SUV
test drive > AMG



View offers > SUV
> Coupé



> Find a Retailer



> View the Range Guide

Diesel engines		
Model	GLC 220 d 4MATIC	GLC 300 d 4MATIC
CO₂ emissions^{5,6,*} g/km		
Emissions standard	Euro 6d ISC	Euro 6d ISC
18" alloy wheels (235/60 tyres)	137	-
19" AMG alloy wheels (235/55 tyres)	144	157
20" AMG alloy wheels (255/45 tyres)	-	157

Diesel engines		
Model	GLC 220 d 4MATIC	GLC 300 d 4MATIC
Insurance		
Group rating	tba	tba
Insurance ratings may vary depending on model specification. Please refer to http://www.thatcham.org/abigrouprating/ for further details		

⁵The choice of wheels and transmission may affect CO₂ emissions and corresponding Road Fund Licence

⁶The indicated values were determined according to the prescribed measurement method - Worldwide Harmonised Light Vehicle Test Procedure (WLTP). Figures shown may include options which are not available in the UK.

*CO₂ figures have been converted into NEDC-equivalent values for use with the current VED and BIK tax legislation.

Figures shown are for comparability purposes; only compare with other cars tested to the same technical procedures. Figures may not reflect real life driving results, which will depend upon a number of factors including factory-fitted options, accessories fitted (post registration), variations in weather, driving styles and vehicle load. Further information about the test used to establish fuel consumption and CO₂ figures can be found at <http://www.mercedes-benz.co.uk/WLTP>



Book a [SUV](#)
test drive [AMG](#)



View offers [SUV](#)
[Coupe](#)



[Find a Retailer](#)



[View the Range Guide](#)

		Petrol engines			
Model		GLC 300 4MATIC	Mercedes-AMG GLC 43 4MATIC	Mercedes-AMG GLC 63 4MATIC+	Mercedes-AMG GLC 63 S 4MATIC+
Engine					
Total displacement	cc	1,991	2,996	3,982	3,982
Arrangement/cylinders/valves		in-line/4/16	V/6/24	V/8/32	V/8/32
Fuel delivery		Electronically-controlled direct injection	Electronically-controlled direct injection	Electronically-controlled direct injection	Electronically-controlled direct injection
Power ¹	hp (kW) at rpm	258 (190)/5,800–6,100 EQ Boost 10 kW	390 (287)/5,500–6,000	476 (350)/5,500–6,250	510 (375)/5,500–6,250
Torque ¹	Nm at rpm	370/1,800–4,000	520/2,500–4,500	650/1,750–4,500	700/1,750–4,500
Compression ratio		10.5:1	10.5:1	10.5:1	10.5:1
Transmission					
9G-TRONIC PLUS 9-speed automatic		●	–	–	–
AMG SPEEDSHIFT TCT 9-speed automatic		–	●	–	–
AMG SPEEDSHIFT MCT 9-speed automatic		–	–	●	●
Tyre sizes					
Front		235/60 R 18	235/55 R 19	235/55 R 19	265/45 R 20
Rear		235/60 R 18	255/50 R 19	255/50 R 19	295/40 R 20



Book a test drive > SUV
> AMG



View offers > SUV
> Coupé



> Find a Retailer



> View the Range Guide

		Petrol engines			
Model		GLC 300 4MATIC	Mercedes-AMG GLC 43 4MATIC	Mercedes-AMG GLC 63 4MATIC+	Mercedes-AMG GLC 63 S 4MATIC+
Performance					
Acceleration 0–62 mph	sec	6.2	4.9	4.0	3.8
Top speed	mph	149	155 ²	155 ²	174 ²
Weights and capacities					
Kerb weight ³	kg	1,805	1,870	2,015	2,025
Perm. Gross Vehicle Weight	kg	2,405	2,460	2,580	2,580
Towing capacity – unbraked/braked ⁴	kg	750/2,400	750/2,460	750/2,200	750/2,200
Boot capacity – max. seats up/down	l	550/1,600	550/1,600	550/1,600	550/1,600
Fuel tank capacity/of which reserve	l	50/7	66/10	66/10	66/10
Turning circle	m	11.8	12.1	12.1	12.1
Wading depth	mm	300	300	300	300
Fuel consumption^{5,6,7}					
Combined (consumption dependent on chosen optional equipment)	l/100 km mpg	8.2–9.6 29.4–34.4	10.2–10.9 27.7–25.9	12.7–13.3 22.2–21.2	12.8–13.0 22.1–21.7

²Electronically limited

³Figures according to Directive 92/21/EC (kerb weight with fuel tank 90% full, driver, 68 kg, and luggage, 7 kg) for standard-specification vehicles. Optional extras and accessories will generally increase this figure and reduce the payload capacity accordingly

⁴Please discuss with your Retailer any specific towing requirements ⁵All figures are based on a standard specification with the smallest tyre size

⁶The choice of wheels and transmission may affect CO₂ emissions and corresponding Road Fund Licence

⁷The indicated values were determined according to the prescribed measurement method – Worldwide Harmonised Light Vehicle Test Procedure (WLTP). Figures shown may include options which are not available in the UK.

Figures shown are for comparability purposes; only compare with other cars tested to the same technical procedures. Figures may not reflect real life driving results, which will depend upon a number of factors including factory-fitted options, accessories fitted (post registration), variations in weather, driving styles and vehicle load. Further information about the test used to establish fuel consumption and CO₂ figures can be found at <http://www.mercedes-benz.co.uk/WLTP>



Book a > SUV
test drive > AMG



View offers > SUV
> Coupé



> Find a Retailer



> View the Range Guide

Petrol engines				
Model	GLC 300 4MATIC	Mercedes-AMG GLC 43 4MATIC	Mercedes-AMG GLC 63 4MATIC+	Mercedes-AMG GLC 63 S 4MATIC+
CO₂ emissions^{6,7,*} g/km				
Emissions standard	Euro 6d-TEMP-EVAP-ISC	Euro 6d-TEMP-EVAP-ISC	Euro 6d-TEMP-EVAP-ISC	Euro 6d-TEMP-EVAP-ISC
18" alloy wheels (235/60 tyres)	166	-	-	-
19" AMG alloy wheels (235/55 tyres)	170	234	278	-
20" AMG alloy wheels (255/45 tyres)	174	234	283	283
21" AMG alloy wheels (265/40 tyres)	-	242	283	283
Insurance				
Group rating	tba	tba	tba	tba
Insurance ratings may vary depending on model specification. Please refer to http://www.thatcham.org/abigrouprating/ for further details				

⁶The choice of wheels and transmission may affect CO₂ emissions and corresponding Road Fund Licence

⁷The indicated values were determined according to the prescribed measurement method – Worldwide Harmonised Light Vehicle Test Procedure (WLTP). Figures shown may include options which are not available in the UK.

*CO₂ figures have been converted into NEDC-equivalent values for use with the current VED and BIK tax legislation.

Figures shown are for comparability purposes; only compare with other cars tested to the same technical procedures. Figures may not reflect real life driving results, which will depend upon a number of factors including factory-fitted options, accessories fitted (post registration), variations in weather, driving styles and vehicle load. Further information about the test used to establish fuel consumption and CO₂ figures can be found at <http://www.mercedes-benz.co.uk/WLTP>



Book a [SUV](#)
test drive [AMG](#)



View offers [SUV](#)
[Coupe](#)

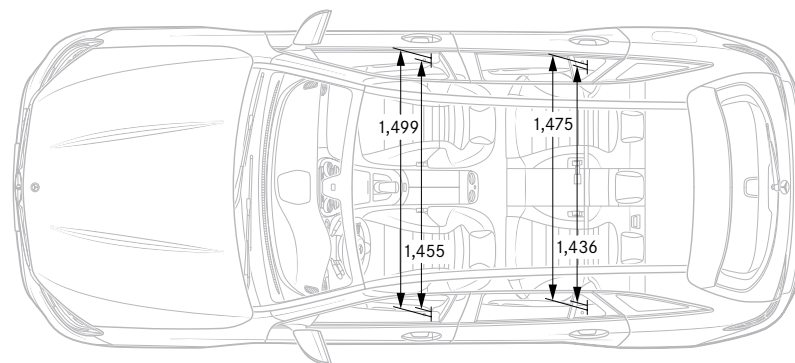
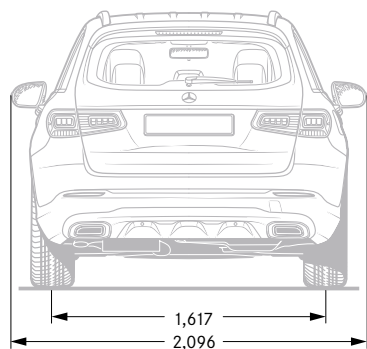
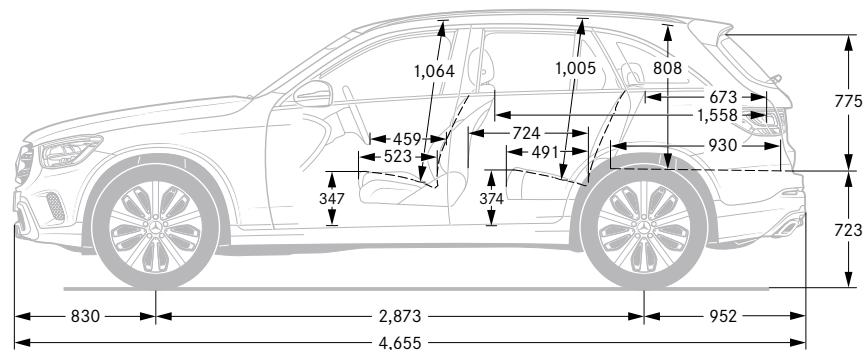
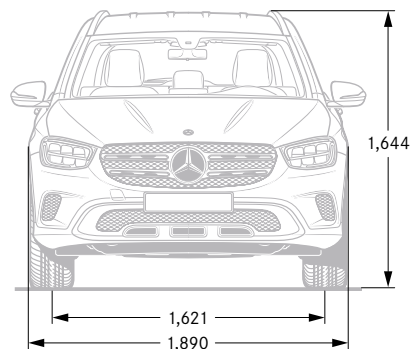


[Find a Retailer](#)



[View the Range Guide](#)

GLC 220 d Sport





Book a [SUV](#)
test drive [AMG](#)



View offers [SUV](#)
[Coupe](#)

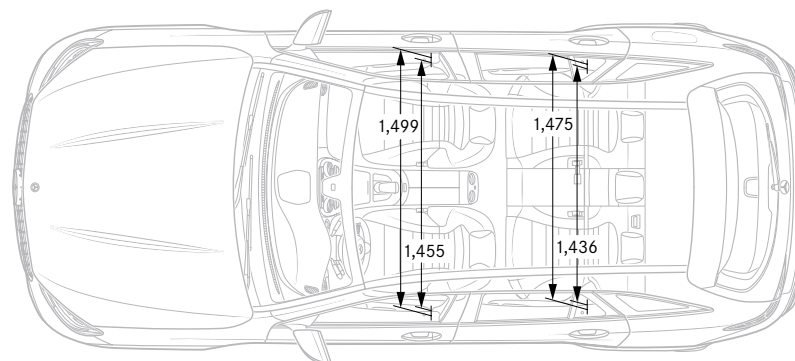
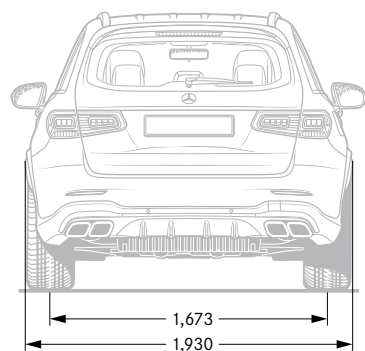
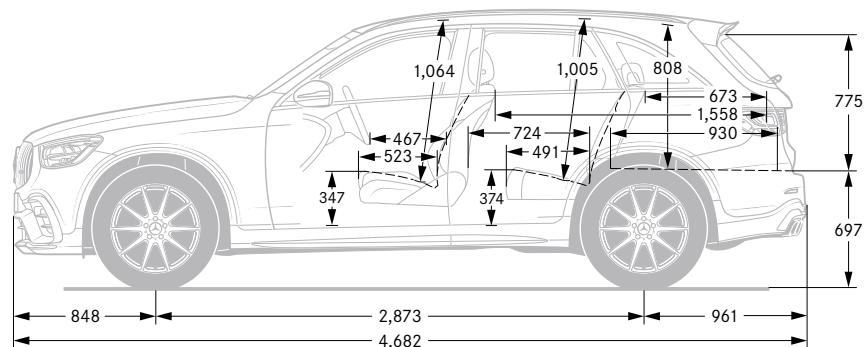
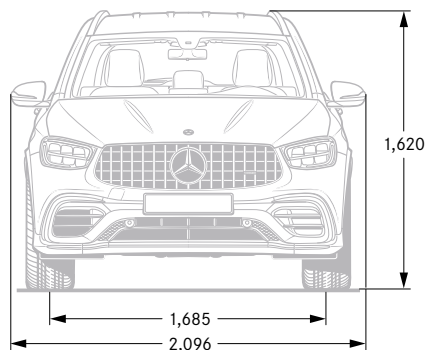


[Find a Retailer](#)



[View the Range Guide](#)

Mercedes-AMG GLC 63 4MATIC+





Book a test drive > SUV
> AMG



View offers > SUV
> Coupé



> Find a Retailer



> View the Range Guide

Technical data - Coupé

Model	Diesel engines	
	GLC 220 d 4MATIC	GLC 300 d 4MATIC
Engine		
Total displacement	cc 1,950	1,950
Arrangement/cylinders/valves	in-line/4/16	in-line/4/16
Fuel delivery	Common-rail diesel with twin turbochargers	Common-rail diesel with twin turbochargers
Power ¹	hp (kW) at rpm 194 (143)/3,800	245 (180)/4,200
Torque ¹	Nm at rpm 400/1,600–2,800	500/1,600–2,400
Compression ratio	15.5:1	15.5:1
Transmission		
9G-TRONIC PLUS 9-speed automatic	●	●
Tyre sizes		
Front	235/60 R 18	235/55 R 19
Rear	235/60 R 18	255/50 R 19

Model	Diesel engines	
	GLC 220 d 4MATIC	GLC 300 d 4MATIC
Performance		
Acceleration 0–62 mph	sec 7.9	6.6
Top speed	mph 135	145
Weights and capacities		
Kerb weight ²	kg 1,845	1,875
Perm. Gross Vehicle Weight	kg 2,500	2,530
Towing capacity – unbraked/braked ³	kg 750/2,500	750/2,500
Boot capacity – max. seats up/down	l 500/1,400	500/1,400
Fuel tank capacity/of which reserve	l 50/7	50/7
Turning circle	m 11.8	11.8
Wading depth	mm 300	300
Fuel consumption^{4,5,6}		
Combined (consumption dependent on chosen optional equipment)	l/100 km 5.8–6.8 mpg 48.7–41.5	6.4–7.1 44.1–39.8

● Standard ○ Optional – Not available ¹Figures according to Directive 80/1269/EEC in the currently applicable version

²Figures according to Directive 92/21/EC (kerb weight with fuel tank 90% full, driver, 68 kg, and luggage, 7 kg) for standard-specification vehicles. Optional extras and accessories will generally increase this figure and reduce the payload capacity accordingly

³Please discuss with your Retailer any specific towing requirements

⁴All figures are based on a standard specification with the smallest tyre size ⁵The choice of wheels and transmission may affect CO₂ emissions and corresponding Road Fund Licence

⁶The indicated values were determined according to the prescribed measurement method – Worldwide Harmonised Light Vehicle Test Procedure (WLTP).

Figures shown are for comparability purposes; only compare with other cars tested to the same technical procedures. Figures may not reflect real life driving results, which will depend upon a number of factors including factory-fitted options, accessories fitted (post registration), variations in weather, driving styles and vehicle load. Further information about the test used to establish fuel consumption and CO₂ figures can be found at <http://www.mercedes-benz.co.uk/WLTP>



Book a > SUV
test drive > AMG



View offers > SUV
> Coupé



> Find a Retailer



> View the Range Guide

Model	Diesel engines	
	GLC 220 d 4MATIC	GLC 300 d 4MATIC
CO₂ emissions^{6,7,*} g/km		
Emissions standard	Euro 6d ISC	Euro 6d ISC
19" AMG alloy wheels (255/50 tyres)	145	-
20" AMG alloy wheels (255/45 tyres)	-	159

Model	Diesel engines	
	GLC 220 d 4MATIC	GLC 300 d 4MATIC
Insurance		
Group rating	tba	tba
Insurance ratings may vary depending on model specification. Please refer to http://www.thatcham.org/abigrouprating/ for further details		

⁶The choice of wheels and transmission may affect CO₂ emissions and corresponding Road Fund Licence

⁷The indicated values were determined according to the prescribed measurement method – Worldwide Harmonised Light Vehicle Test Procedure (WLTP). Figures shown may include options which are not available in the UK.

*CO₂ figures have been converted into NEDC-equivalent values for use with the current VED and BIK tax legislation.

Figures shown are for comparability purposes; only compare with other cars tested to the same technical procedures. Figures may not reflect real life driving results, which will depend upon a number of factors including factory-fitted options, accessories fitted (post registration), variations in weather, driving styles and vehicle load. Further information about the test used to establish fuel consumption and CO₂ figures can be found at <http://www.mercedes-benz.co.uk/WLTP>



Book a test drive > SUV
> AMG



View offers > SUV
> Coupé



> Find a Retailer



> View the Range Guide

		Petrol engines			
Model		GLC 300 4MATIC	Mercedes-AMG GLC 43 4MATIC	Mercedes-AMG GLC 63 4MATIC+	Mercedes-AMG GLC 63 S 4MATIC+
Engine					
Total displacement	cc	1,991	2,996	3,982	3,982
Arrangement/cylinders/valves		in-line/4/16	V/6/24	V/8/32	V/8/32
Fuel delivery		Electronically-controlled direct injection	Electronically-controlled direct injection	Electronically-controlled direct injection	Electronically-controlled direct injection
Power ¹	hp (kW) at rpm	258 (190)/5,800–6,100	390 (287)/5,500–6,000	476 (350)/5,500–6,250	510 (375)/5,500–6,250
Combustion engine					
EQ Boost		10 kW			
Torque ¹	Nm at rpm	370/1,800–4,000	520/2,500–4,500	650/1,750–4,500	700/1,750–4,500
Compression ratio		10.5:1	10.5:1	10.5:1	10.5:1
Transmission					
9G-TRONIC PLUS 9-speed automatic		●	–	–	–
AMG SPEEDSHIFT TCT 9-speed automatic		–	●	–	–
AMG SPEEDSHIFT MCT 9-speed automatic		–	–	●	●

● Standard ○ Optional – Not available ¹Figures according to Directive 80/1269/EEC in the currently applicable version

²Figures according to Directive 92/21/EC (kerb weight with fuel tank 90% full, driver, 68 kg, and luggage, 7 kg) for standard-specification vehicles. Optional extras and accessories will generally increase this figure and reduce the payload capacity accordingly

³Please discuss with your Retailer any specific towing requirements

⁴All figures are based on a standard specification with the smallest tyre size ⁵The choice of wheels and transmission may affect CO₂ emissions and corresponding Road Fund Licence

⁶The indicated values were determined according to the prescribed measurement method – Worldwide Harmonised Light Vehicle Test Procedure (WLTP).

Figures shown are for comparability purposes; only compare with other cars tested to the same technical procedures. Figures may not reflect real life driving results, which will depend upon a number of factors including factory-fitted options, accessories fitted (post registration), variations in weather, driving styles and vehicle load. Further information about the test used to establish fuel consumption and CO₂ figures can be found at <http://www.mercedes-benz.co.uk/WLTP>



Book a test drive > SUV
> AMG



View offers > SUV
> Coupé



> Find a Retailer



> View the Range Guide

Model	Petrol engines			
	GLC 300 4MATIC	Mercedes-AMG GLC 43 4MATIC	Mercedes-AMG GLC 63 4MATIC+	Mercedes-AMG GLC 63 S 4MATIC+

Tyre sizes

Front	235/60 R 18	235/55 R 19	235/55 R 19	265/45 R 20
Rear	235/60 R 18	255/50 R 19	255/50 R 19	295/40 R 20

Performance

Acceleration 0–62 mph	sec	6.3	4.9	4.0	3.8
Top speed	mph	149	155 ²	155 ²	174 ²

Weights and capacities

Kerb weight ³	kg	1,825	1,875	2,020	2,030
Perm. Gross Vehicle Weight	kg	2,435	2,460	2,590	2,590
Towing capacity – unbraked/braked ⁴	kg	750/2,400	750/2,460	750/2,200	750/2,200
Boot capacity – max. seats up/down	l	500/1,400	500/1,400	500/1,400	500/1,400
Fuel tank capacity/of which reserve	l	50/7	66/10	66/10	66/10
Turning circle	m	11.8	11.8	12.1	12.1
Wading depth	mm	300	300	300	300

²Electronically limited

³Figures according to Directive 92/21/EC (kerb weight with fuel tank 90% full, driver, 68 kg, and luggage, 7 kg) for standard-specification vehicles. Optional extras and accessories will generally increase this figure and reduce the payload capacity accordingly

⁴Please discuss with your Retailer any specific towing requirements

⁵The choice of wheels and transmission may affect CO₂ emissions and corresponding Road Fund Licence

⁶The indicated values were determined according to the prescribed measurement method – Worldwide Harmonised Light Vehicle Test Procedure (WLTP). Figures shown may include options which are not available in the UK.

Figures shown are for comparability purposes; only compare with other cars tested to the same technical procedures. Figures may not reflect real life driving results, which will depend upon a number of factors including factory-fitted options, accessories fitted (post registration), variations in weather, driving styles and vehicle load. Further information about the test used to establish fuel consumption and CO₂ figures can be found at <http://www.mercedes-benz.co.uk/WLTP>



Book a [SUV](#)
test drive [AMG](#)



View offers [SUV](#)
[Coupe](#)



[Find a Retailer](#)



[View the Range Guide](#)

Model	Petrol engines			
	GLC 300 4MATIC	Mercedes-AMG GLC 43 4MATIC	Mercedes-AMG GLC 63 4MATIC+	Mercedes-AMG GLC 63 S 4MATIC+

Fuel consumption^{5,6,7}

Combined (consumption dependent on chosen optional equipment)	l/100 km	mpg	9.6–8.1 29.4–34.9	10.7–10.1 26.4–28.0	12.5–13.0 22.6–21.7	12.8–13.0 22.1–21.7
---	----------	-----	----------------------	------------------------	------------------------	------------------------

CO₂ emissions^{6,7,*}

g/km

Emissions standard	Euro 6d-TEMP-EVAP-ISC	Euro 6d-TEMP-EVAP-ISC	Euro 6d-TEMP-EVAP-ISC	Euro 6d-TEMP-EVAP-ISC
18" alloy wheels (235/60 tyres)	175	–	275	–
19" AMG alloy wheels (235/55 tyres)	175	232	275	–
20" AMG alloy wheels (255/45 tyres)	175	232	280	280
21" AMG alloy wheels (255/45 tyres)	–	240	280	280

Insurance

Group rating	tba	tba	tba	tba
--------------	-----	-----	-----	-----

Insurance ratings may vary depending on model specification. Please refer to <http://www.thatcham.org/abigrouprating/> for further details

⁶The choice of wheels and transmission may affect CO₂ emissions and corresponding Road Fund Licence

⁷The indicated values were determined according to the prescribed measurement method – Worldwide Harmonised Light Vehicle Test Procedure (WLTP). Figures shown may include options which are not available in the UK.

*CO₂ figures have been converted into NEDC-equivalent values for use with the current VED and BIK tax legislation.

Figures shown are for comparability purposes; only compare with other cars tested to the same technical procedures. Figures may not reflect real life driving results, which will depend upon a number of factors including factory-fitted options, accessories fitted (post registration), variations in weather, driving styles and vehicle load. Further information about the test used to establish fuel consumption and CO₂ figures can be found at <http://www.mercedes-benz.co.uk/WLTP>



Book a [SUV](#)
test drive [AMG](#)



View offers [SUV](#)
[Coupe](#)

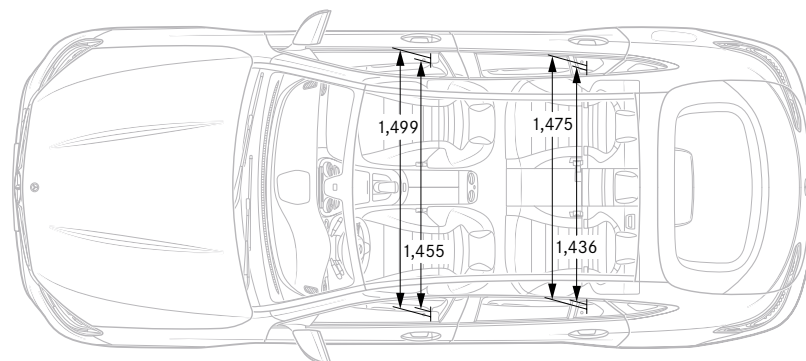
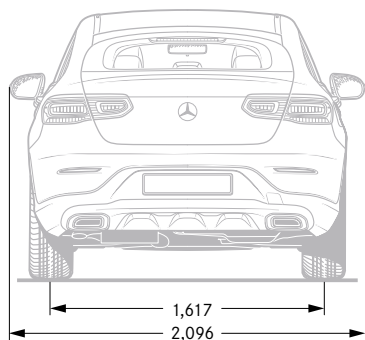
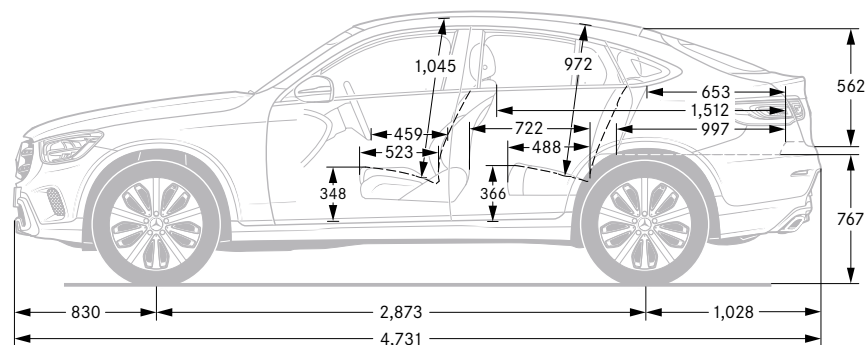
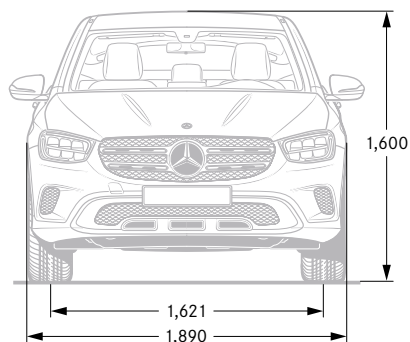


[Find a Retailer](#)



[View the Range Guide](#)

GLC 220 d Sport





Book a [SUV](#)
test drive [AMG](#)



View offers [SUV](#)
[Coupe](#)

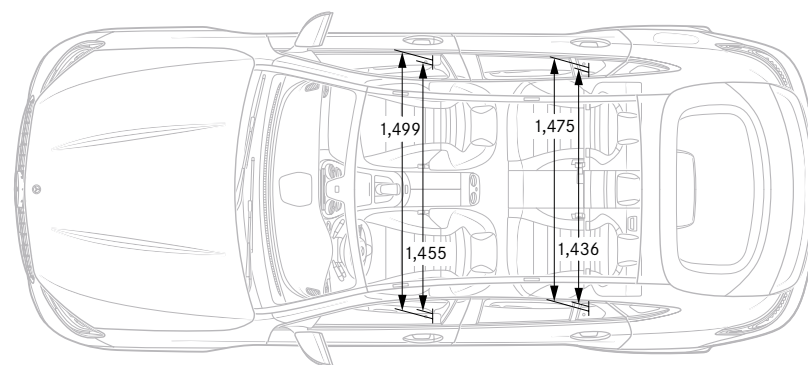
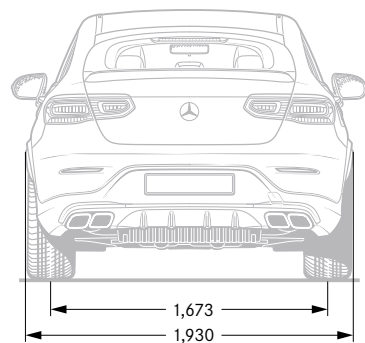
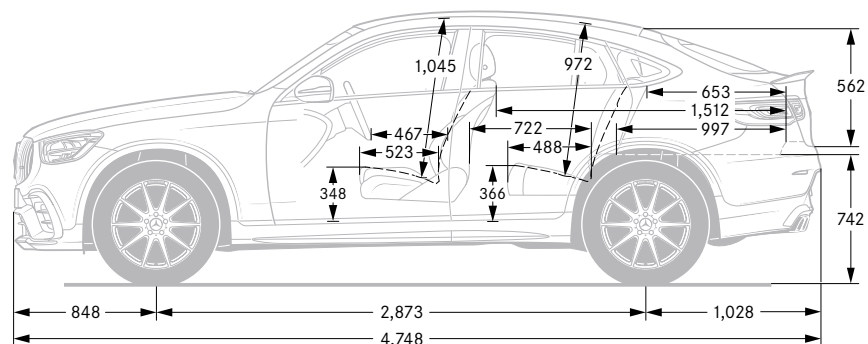
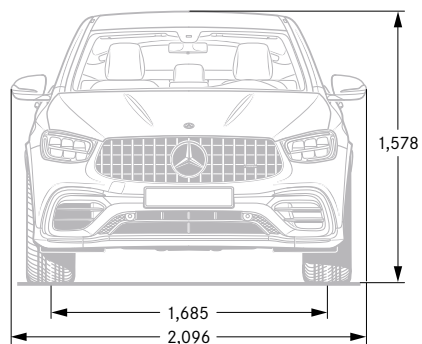


[Find a Retailer](#)



[View the Range Guide](#)

Mercedes-AMG GLC 63 4MATIC+





Book a [SUV](#)
test drive [AMG](#)



View offers [SUV](#)
[Coupe](#)



[Find a Retailer](#)



[View the Range Guide](#)

Road Fund Licence



All road vehicle registrations are subject to Vehicle Excise Duty (Road Fund Licence), which varies in accordance with the vehicle's CO₂ emissions. A first year rate for each taxation band will apply. The table below shows the bands (A–M) created by the DVLA and the corresponding Road Fund Licence. CO₂ emissions are listed in the technical data on pages 79, 82, 86 and 89, and the relevant Excise Duty is reflected in the on-the-road prices on pages 43–46.

Band	CO ₂ emissions (g/km)	First year rate petrol and RDE2 diesel (£)	First year rate all other diesel (£) ¹	First year rate alternative fuel (£)	Standard rate (£)	Premium rate (£) ²
A	0	0.00	0.00	0.00	0.00	320.00
B	1 to 50	10.00	25.00	0.00	145.00	465.00
C	51 to 75	25.00	110.00	15.00	145.00	465.00
D	76 to 90	110.00	130.00	100.00	145.00	465.00
E	91 to 100	130.00	150.00	120.00	145.00	465.00
F	101 to 110	150.00	170.00	140.00	145.00	465.00
G	111 to 130	170.00	210.00	160.00	145.00	465.00
H	131 to 150	210.00	530.00	200.00	145.00	465.00
I	151 to 170	530.00	855.00	520.00	145.00	465.00
J	171 to 190	855.00	1,280.00	845.00	145.00	465.00
K	191 to 225	1,280.00	1,815.00	1,270.00	145.00	465.00
L	226 to 255	1,815.00	2,135.00	1,805.00	145.00	465.00
M	over 255	2,135.00	2,135.00	2,125.00	145.00	465.00

Some of the model features, optional extras and colours shown may not be available or may only be available in a different specification.

¹Applies to all Mercedes-Benz diesel models which do not comply with Real Driving Emissions step 2 (RDE2)

²Premium rate only applicable to vehicles where the list price is over £40,000 including any factory-fitted options, standard UK delivery charge, number plates, fuel and VAT



Book a [▶ SUV](#)
test drive [▶ AMG](#)



View offers [▶ SUV](#)
[▶ Coupé](#)



[▶ Find a Retailer](#)



[▶ View the Range Guide](#)

Services and benefits

Mercedes-Benz ServiceCare

We believe that servicing costs should be as flexible and affordable as possible for your GLC, which is why we offer ServiceCare, an easy way to budget for all your servicing costs. It spreads your bills into manageable payments based on whether you have a new or used Mercedes-Benz.

With ServiceCare we guarantee the price of parts and labour for up to four services and safeguard against any further inflation. It also covers the cost of all recommended service items including brake fluid, spark plugs, air filters, fuel filters and screen wash.

You can choose either to add your servicing costs into your monthly spend or pay the full amount in a one-off payment, giving you peace of mind that they are taken care of for the period of the plan.

To receive a personalised ServiceCare plan recommendation visit the ServiceCare Calculator at servicecarerates.mercedes-benz.co.uk

Warranty and breakdown cover

Every Mercedes-Benz comes with a three-year unlimited mileage warranty against manufacturing or material defects¹ and up to 30 years warranty against perforation due to corrosion from the inside out.² What's more, it's also covered by Mercedes-Benz Roadside Assistance – a unique package comprising up to 30 years pan-European breakdown assistance.²

Motor Insurance

Superb cover comes as standard. When reviewed by an independent research company, Defaqto, Mercedes-Benz Motor Insurance received a five-star rating, the highest rating available. We design our Motor Insurance specifically for Mercedes-Benz drivers.

For more information or to obtain a quote, click [here](#).



Mercedes-Benz Finance

Why should you finance with Mercedes-Benz?

At Mercedes-Benz we believe a great driving experience should be matched by an equally great ownership experience. That is why we put just as much thought, time and effort into designing our finance options, our service plans and our insurance cover as we do into our vehicles.

We are not in the business of simply providing a loan to fund the purchase of your dream vehicle. We look on it as a journey that we take with you, from the moment you choose your new Mercedes-Benz, to helping you in choosing your next one.

If you would like to find out more about any of our current offers, simply call into your local Mercedes-Benz Retailer where one of our Business Managers will be more than happy to talk you through anything you need to know.

Helping you find the right solution.

You should find our finance packages are more convenient than a traditional personal loan because:

- Funds are immediately available – no waiting for cheques or loans to clear.
- There is no security required – either against your home or other assets.
- We have clear and transparent rates – the APR we quote is the APR you get.
- We have friendly Business Managers – experts in vehicle finance who can talk you through all of your plans in detail.

One of our most popular finance products is Mercedes-Benz Agility (our Personal Contract Purchase product). We also offer Contract Hire, Operating Lease and Hire Purchase solutions. If you would like to find out more about these speak to your Retailer or visit www.mercedes-benz.co.uk/fandi.

Mercedes-Benz Agility (our PCP product).

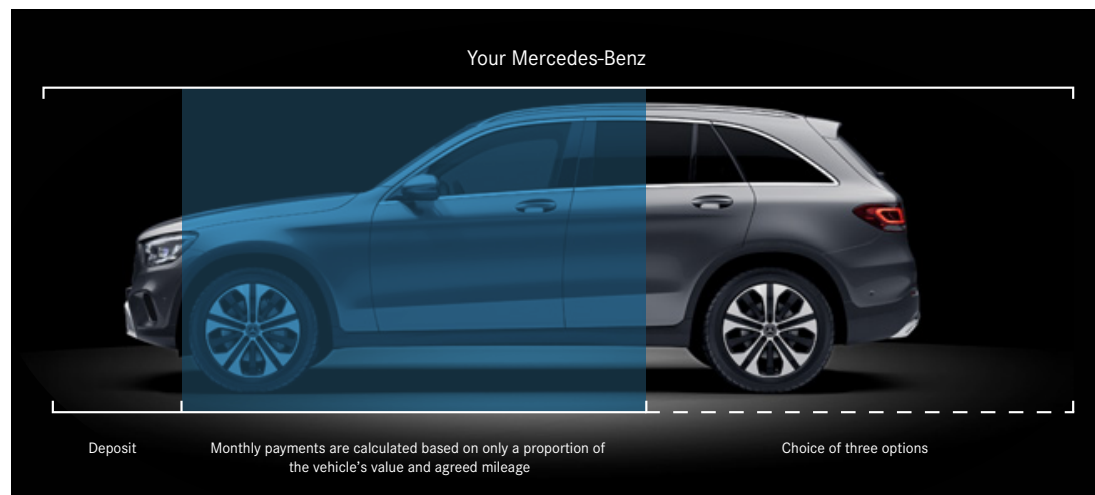
At the start of an Agility agreement, you put down a deposit and decide the term of your agreement and your annual mileage. You will be advised of the Guaranteed Future Value, which offers you the reassurance of knowing exactly what you will need to pay to own the vehicle outright in the future (this is known as the Optional Purchase Payment).

Throughout your agreement you simply pay your agreed monthly payments and when the agreement comes to an end you either purchase, hand back or part-exchange your vehicle.



Agility features:

- Fixed regular payments mean you can easily budget.
- Payments are based only on a proportion of the vehicle's value, keeping your monthly payments lower.
- Our Guaranteed Future Value avoids the risk of unplanned depreciation of your vehicle.
- You defer your ownership decision until the end of the agreement.



At the end of your agreement you have three options to choose from.

Option 1: Purchase your Mercedes-Benz.

Purchase your Mercedes-Benz by paying the Optional Purchase Payment and Purchase Activation Fee.¹ This will complete the purchase of your Mercedes-Benz, leaving you free to simply enjoy your vehicle.

Option 2: Hand back your Mercedes-Benz.

If you decide to return your vehicle to us, it must be in line with our Vehicle Return Standards,^{*} as vehicle condition, excess mileage and other charges may be payable.

Option 3: Part-Exchange for a new vehicle.

Purchase your Mercedes-Benz by paying the Optional Purchase Payment and Purchase Activation Fee.¹ This will complete the purchase of your Mercedes-Benz, leaving you free to part-exchange for a new vehicle.

¹Please note the 'Purchase Activation Fee' of £10 will be debited from your account *To find out more information about our Vehicle Return Standards please visit <http://mercedes-benz.co.uk/vrs>



Book a [> SUV](#)
test drive [> AMG](#)



View offers [> SUV](#)
[> Coupé](#)



[> Find a Retailer](#)



[> View the Range Guide](#)

Follow us on the following social media channels:



facebook.com/mercedesbenz



twitter.com/mercedesbenz



youtube.com/mercedesbenz



instagram.com/mercedesbenz

Effective from December 2019 Production. Information correct at time of publication.

Prices and specifications are subject to change without prior notice.

MBXC253PL/1119 MY2020

Mercedes-Benz Cars UK Limited, Tongwell, Milton Keynes, MK15 8BA. Company number 2448457 www.mercedes-benz.co.uk