



View offers > Saloon
> Estate



Book a test drive > Saloon
> Estate
> AMG



> Find a Retailer



> View the Range Guide

C-Class Saloon and Estate



Effective from December 2019 Production.

Mercedes-Benz





View offers > Saloon
> Estate



Book a test drive > Saloon
> Estate
> AMG



> Find a Retailer



> View the Range Guide

Contents

7 Model lines

46 Driving Assistance package

78 Technical data

21 Mercedes-AMG models

47 Colours and materials

96 Road Fund Licence

34 Mercedes me

57 Wheels

97 Services and insurance

36 Mercedes-AMG driver training

60 Standard equipment

98 Mercedes-Benz Finance

37 Model prices

70 Optional equipment

44 Pricing summary for model and equipment lines

73 Genuine Accessories



View offers > Saloon
> Estate



Book a test drive > Saloon
> Estate
> AMG



Find a Retailer



View the Range Guide

3



Model features optional equipment at an additional cost. Wheels are not available.



View offers > Saloon
> Estate



Book a test drive > Saloon
> Estate
> AMG



> Find a Retailer



> View the Range Guide



Model features optional equipment at an additional cost.



View offers > Saloon
> Estate



Book a test drive > Saloon
> Estate
> AMG



> Find a Retailer



> View the Range Guide



Model features optional equipment at an additional cost. Wheels are not available.



View offers > Saloon
> Estate



Book a test drive > Saloon
> Estate
> AMG



> Find a Retailer



> View the Range Guide



Model features optional equipment at an additional cost.



View offers > Saloon
> Estate



Book a test drive > Saloon
> Estate
> AMG



> Find a Retailer



> View the Range Guide

C-Class SE





View offers > Saloon
> Estate



Book a test drive > Saloon
> Estate
> AMG



Find a Retailer



View the Range Guide

Model lines | SE

8





More dynamic, more stylish, more rewarding: the C-Class SE is stacked with high-end technology as standard, including a reversing camera and DYNAMIC SELECT, which allows you to choose between five individual driving modes: Comfort, ECO, Sport, Sport+ and Individual. In other words, the

C-Class SE has everything to create true driving pleasure. To match the dynamic exterior, the SE is also fitted with black ARTICO man-made leather and high-gloss black trim for a stylish atmosphere inside the cabin.

Exterior

Mirror package – electrically-folding mirrors and automatically-dimming exterior driver’s mirror and rear view mirror

17" aero 5-twin-spoke alloy wheels – silver

Active Parking Assist including PARKTRONIC

AGILITY CONTROL comfort suspension

COLLISION PREVENTION ASSIST PLUS

Direct-Steer speed-sensitive steering

DYNAMIC SELECT with a choice of five driving modes

EASY-PACK automatic powered tailgate (Estate only)

Headlamps – halogen with integral LED daytime running lamps

Rain-sensing windscreen wipers

Reversing camera

Roof rails – black (Estate only)

SPEEDTRONIC cruise control

Interior

Interior Lighting package – lighting of footwells, door handle recesses, as well as rear reading lamps (LED) and courtesy lamps in all doors

Seat Comfort package – driver and front passenger seat. Electro-pneumatic four-way lumbar support and manual seat cushion depth adjustment (6 cm)

Audio 20 with 10.25-inch colour display

Black steering wheel gearshift paddles (automatic transmission only)

DAB digital radio tuner

Double cup holder

Heated front seats

Media Interface

Rear seats – split folding 40:20:40

SD card-based navigation system

Steering wheel – 3-spoke multifunction steering wheel, trimmed in leather

Trim and Upholstery

High-gloss black



ARTICO man-made leather – black





View offers > Saloon
> Estate



Book a test drive > Saloon
> Estate
> AMG



> Find a Retailer



> View the Range Guide

C-Class Sport Edition





View offers > Saloon
> Estate



Book a test drive > Saloon
> Estate
> AMG



> Find a Retailer



> View the Range Guide

Model lines | Sport Edition

11





View offers > Saloon
> Estate



Book a test drive > Saloon
> Estate
> AMG



> Find a Retailer



> View the Range Guide

The Sport Edition is fitted with 18" alloy wheels and MULTIBEAM LED headlamps to emphasise the dynamic appearance of this C-Class. There's plenty of high tech to marvel at, too. Choose between black and silk beige

leather upholstery combined with the high-gloss centre console and brushed aluminium trim on the doors and dashboard.

In addition/replacement to SE:

Exterior

18" aero 5-spoke alloy wheels – high-gloss black with a high-sheen finish

AGILITY CONTROL comfort suspension – lowered by 15 mm

Headlamps – MULTIBEAM LED

Interior

Black steering wheel gearshift paddles (automatic transmission only)

Sports seats in leather

Steering wheel – 3-spoke multifunction steering wheel in nappa leather with trim in silver chrome and perforated leather in grip area

Trim and Upholstery

High-gloss black with aluminium



Leather – black



Leather – silk beige



Upgrade price from SE **£1,650**



View offers > Saloon
> Estate



Book a test drive > Saloon
> Estate
> AMG



> Find a Retailer



> View the Range Guide

C-Class AMG Line Edition





View offers > Saloon
> Estate



Book a test drive > Saloon
> Estate
> AMG



> Find a Retailer



> View the Range Guide

Model lines | AMG Line Edition

14





View offers > Saloon
> Estate



Book a test drive > Saloon
> Estate
> AMG



> Find a Retailer



> View the Range Guide

Performance experts AMG have given the C-Class AMG Line Edition an even sportier design edge, starting with AMG bodystyling, 18" AMG alloy wheels and brake calipers with 'Mercedes-Benz' lettering. The interior features

AMG sports pedals in brushed stainless steel and open-pore black ash wood trim. Sports suspension and Sports Direct-Steer system also come as standard on the AMG Line Edition.

In addition/replacement to Sport Edition:

Exterior

- 18" AMG aero 5-spoke alloy wheels – tremolite grey
- AGILITY CONTROL sports suspension – lowered by 15 mm
- AMG bodystyling – front apron, rear apron and side skirts
- Brake calipers with 'Mercedes-Benz' lettering and perforated front brake discs
- Privacy glass
- Radiator grille – diamond grille with integrated star, chrome pins
- Sports braking system with perforated front brake discs
- Sports Direct-Steer system with speed-sensitive steering
- Sports suspension

Interior

- AMG sports pedals in brushed stainless steel with rubber studs
- AMG sports seats in leather
- 12.3-inch digital instrument display
- Analogue clock (automatic transmission only)
- Floor mats – black with 'AMG' lettering
- Silver steering wheel gearshift paddles (automatic transmission only)
- Steering wheel – 3-spoke multifunction AMG steering wheel in black nappa leather with flattened bottom section, chrome inserts and perforated leather in grip area

Trim and Upholstery

Open-pore black ash



Leather – black



Leather – saddle brown



Leather – cranberry red



Upgrade price from Sport Edition **£1,495**



View offers > Saloon
> Estate



Book a test drive > Saloon
> Estate
> AMG



> Find a Retailer



> View the Range Guide

AMG Line Night Edition Premium





View offers > Saloon
> Estate



Book a test drive > Saloon
> Estate
> AMG



> Find a Retailer



> View the Range Guide

Model lines | AMG Line Night Edition Premium

17





The C-Class AMG Line Night Edition Premium emphasises its athletic exterior with black painted 19" multi-spoke alloy wheels and further details in high-gloss black, such as the exterior mirror housings, the spoiler and rear bumper trim.

In addition/replacement to AMG Line Edition:

Exterior

- 19" alloy wheels
- Exterior mirror housings in high-gloss black
- Exterior mirrors – electrically adjustable with Memory package
- Rear bumper trim in high-gloss black
- Spoiler in high-gloss black

Interior

- Memory package – driver's seat, front passenger seat, steering column
- Ambient lighting – staged, 64 colours
- COMAND Online
- Dashboard – ARTICO man-made leather with contrast stitching
- Midline sound system – 225W amplifier output
- Steering wheel – 3-spoke multifunction AMG steering wheel in black nappa leather with flattened bottom section, chrome inserts and DINAMICA inserts in grip area
- Wireless charging

The interior is equipped with staged ambient lighting with 64 colour settings, a 3-spoke multifunction AMG steering wheel and Memory package. Your multimedia needs are covered with COMAND Online and the Midline sound system adds listening pleasure to driving enjoyment.

Trim and Upholstery

Open-pore black ash



Leather – black



Leather – saddle brown



Leather – cranberry red



Upgrade price from AMG Line Edition **£2,500**



View offers > Saloon
> Estate



Book a test drive > Saloon
> Estate
> AMG



> Find a Retailer



> View the Range Guide

AMG Line Night Edition Premium Plus





View offers > Saloon
> Estate



Book a test drive > Saloon
> Estate
> AMG



> Find a Retailer



> View the Range Guide

You'll enjoy all the comfort and style of the AMG Line Night Edition Premium with added benefits: namely the panoramic electric glass sunroof, and 360° view camera. The KEYLESS-GO Comfort package

allows you to open the door without taking the key out of your pocket. Once inside, you'll enjoy a fantastic music experience courtesy of the Burmester® surround sound system.

In addition/replacement to AMG Line Night Edition Premium:

Exterior

KEYLESS-GO Comfort package – hands-free access, automatic powered boot closing, keyless entry and keyless start. Includes chrome trim on top half of door handles

360° camera – four networked short-range cameras in the radiator grille, next to the tailgate release handle plus in the exterior mirror housings, for displaying all four vehicle sides and visualising the vehicle and surroundings from a bird's-eye view in the media display

Panoramic electric glass sunroof – consisting of a fixed panoramic glass rear section and an electrically-operated sliding glass front section

Interior

Burmester® surround sound system – 13 speakers and a 9-channel amplifier with total output of 590 W (7 × 50 W and 2 × 120 W)

Trim and Upholstery

Open-pore black ash



Leather – black



Leather – saddle brown



Leather – cranberry red



Upgrade price from AMG Line Night Edition Premium **£2,500**



View offers > Saloon
> Estate



Book a test drive > Saloon
> Estate
> AMG



> Find a Retailer



> View the Range Guide

Mercedes-AMG C 43 4MATIC Edition





View offers > Saloon
> Estate



Book a test drive > Saloon
> Estate
> AMG



> Find a Retailer



> View the Range Guide

Model lines | Mercedes-AMG C 43 4MATIC Edition

22





View offers > Saloon
> Estate



Book a test drive > Saloon
> Estate
> AMG



> Find a Retailer



> View the Range Guide

Powered by a vigorous V6 engine, the Mercedes-AMG C 43 4MATIC Edition is a true performance car. 18" AMG aero wheels, AMG bodystyling and 'AMG' lettering – visible on the front brake calipers and the diamond grille with chrome pins – all point to a sporty pedigree. The 'BITURBO 4MATIC'

lettering references all-wheel drive for superior driving dynamics. Equally packed with energy, the interior features leather sports seats with red contrast stitching on the ARTICO man-made leather dashboard.

Exterior

18" AMG aero 5-spoke alloy wheels – painted tremolite grey

AMG bodystyling – front apron with distinctive air intakes, AMG side sill panels and AMG rear apron with diffuser look

'AMG' lettering on front brake calipers

AMG spoiler lip in vehicle colour

'BITURBO 4MATIC' lettering on front wings

Black mirror housings

Radiator grille – AMG design with double louvre in matt iridium silver and 'AMG' lettering

Interior

10.25-inch multimedia colour display

AMG boot logo in central screen

Ambient lighting – staged, 64 colours

ARTICO man-made leather dashboard with red contrast stitching

Floor mats – with black leather edging, red piping and AMG logo

Front door sill panels with 'AMG' lettering

Leather upholstery

Red seat belts

Trim and Upholstery

Open-pore black ash



Leather – black



Leather – saddle brown



Leather – cranberry red





View offers > Saloon
> Estate



Book a test drive > Saloon
> Estate
> AMG



> Find a Retailer



> View the Range Guide

Mercedes-AMG C 43 4MATIC Edition Premium





View offers > Saloon
> Estate



Book a test drive > Saloon
> Estate
> AMG



> Find a Retailer



> View the Range Guide

Model lines | Mercedes-AMG C43 4MATIC Edition Premium

25



Option shown: cavansite blue (code 890)





View offers > Saloon
> Estate



Book a test drive > Saloon
> Estate
> AMG



> Find a Retailer



> View the Range Guide

Based on the Mercedes-AMG C 43 Edition, this model comes with its very own highly distinctive features. The Mercedes-AMG C 43 4MATIC Edition Premium features further style and comfort equipment such as the

Memory package, Ambient lighting, 19" AMG 5-twin spoke wheels in high-gloss black, COMAND Online and the Midline sound system.

Exterior

19" AMG 5-twin-spoke alloy wheels – painted high-gloss black

Interior

Memory package – driver's seat, front passenger seat, steering column and exterior mirrors are electrically adjustable with memory

Ambient lighting – staged, 64 colours

COMAND Online

Midline sound system – 225W amplifier output

Steering wheel – 3-spoke multifunction AMG steering wheel in black nappa leather with flattened bottom section, chrome inserts and DINAMICA inserts in grip area

Wireless charging

Trim and Upholstery

Open-pore black ash



Leather – black



Leather – saddle brown



Leather – cranberry red



Leather – black with red contrast stitching





View offers > Saloon
> Estate



Book a test drive > Saloon
> Estate
> AMG



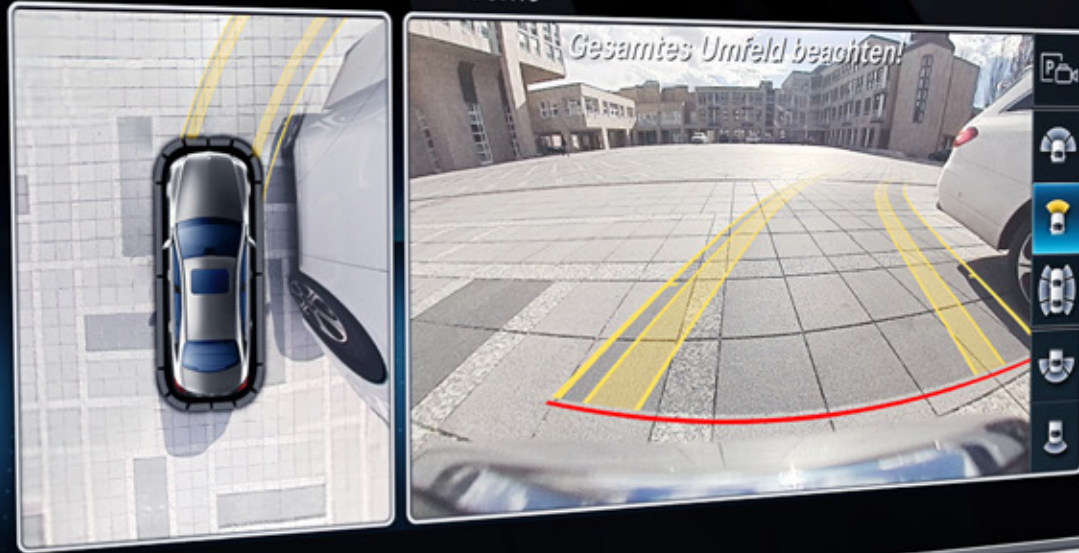
Find a Retailer



View the Range Guide

Mercedes-AMG C 43 4MATIC Edition Premium Plus

Vorne





View offers > Saloon
> Estate



Book a test drive > Saloon
> Estate
> AMG



> Find a Retailer



> View the Range Guide

You'll enjoy all the comfort and style of the Mercedes-AMG C 43 Edition Premium with added benefits: namely the panoramic electric glass sunroof, and 360° view camera. The KEYLESS-GO Comfort package

allows you to open the door without taking the key out of your pocket. Once inside, you'll enjoy a fantastic music experience courtesy of the Burmester® surround sound system.

In addition/replacement to Mercedes-AMG C 43 Edition Premium:

Exterior

KEYLESS-GO Comfort package – hands-free access, automatic powered boot closing, keyless entry and keyless start. Includes chrome trim on top half of door handles

360° camera – four networked short-range cameras in the radiator grille, next to the tailgate release handle plus in the exterior mirror housings, for displaying all four vehicle sides and visualising the vehicle and surroundings from a bird's-eye view in the media display

Panoramic electric glass sunroof – consisting of a fixed panoramic glass rear section and an electrically-operated sliding glass front section

Interior

Burmester® surround sound system – 13 speakers and a 9-channel amplifier with total output of 590 W (7 × 50 W and 2 × 120 W)

Trim and Upholstery

Open-pore black ash



Leather – black



Leather – saddle brown



Leather – cranberry red



Leather – black with red contrast stitching



Upgrade price from Mercedes-AMG C 43 Edition Premium **£2,000**



View offers > Saloon
> Estate



Book a test drive > Saloon
> Estate
> AMG



Find a Retailer



View the Range Guide

Mercedes-AMG C 63 S





View offers > Saloon
> Estate



Book a test drive > Saloon
> Estate
> AMG



> Find a Retailer



> View the Range Guide



Model lines | Mercedes-AMG C 63 S





View offers > Saloon
> Estate



Book a test drive > Saloon
> Estate
> AMG



Find a Retailer



View the Range Guide

If you can't get enough of the C-Class, opt for the Mercedes-AMG C 63 S. It truly raises you to the next level with the AMG Driver's package that increases the top speed. The exterior oozes pure power: starting from the grey 19"/20" AMG 5-twin-spoke alloy wheels with red brake calipers all the way to the new rear apron diffuser and the dual angular tailpipe design.

Inside, you'll find AMG Performance seats with black nappa leather upholstery featuring contrast stitching and crystal grey seatbelts. In true performance style, COMAND Online also features AMG Track Pace, a handy feature to record your lap times on the racetrack.

Exterior

AMG Driver's package - increasing top speed to 180 mph (Saloon)/174 mph (Estate)

19"/20" AMG 5-twin-spoke alloy wheels, aerodynamically optimised, painted tantalite grey with a high-sheen finish

Brake calipers - red

Rear apron including diffuser blade

Tailpipe design (double angular)

'V8 BITURBO' lettering on front wings

Interior

'AMG C 63 S' badging at the rear

AMG Performance seats with nappa leather upholstery

AMG Performance steering wheel in nappa leather/DINAMICA microfibre - sporty 3-spoke design, flattened lower section and perforated grip area

AMG Track Pace

Seat belts - crystal grey

SPEEDTRONIC cruise control with variable speed limiter

Trim and Upholstery

Open-pore grey oak



Black nappa leather



Nappa leather - two-tone platinum white pearl/black



Nappa leather - Two-tone red pepper/black





View offers > Saloon
> Estate



Book a test drive > Saloon
> Estate
> AMG



> Find a Retailer



> View the Range Guide

Mercedes-AMG C 63 S Premium Plus





View offers > Saloon
> Estate



Book a test drive > Saloon
> Estate
> AMG



> Find a Retailer



> View the Range Guide

You'll enjoy all the comfort and style of the Mercedes-AMG C 63 S with added benefits: namely the panoramic electric glass sunroof, and 360° view camera. The KEYLESS-GO Comfort package allows you to open the

door without taking the key out of your pocket. Once inside, you'll enjoy a fantastic music experience courtesy of the Burmester® surround sound system, featuring 13 speakers and a 9-channel amplifier.

In addition/replacement to Mercedes-AMG C 63 S:

Exterior

KEYLESS-GO Comfort package – hands-free access, automatic powered boot closing, keyless entry and keyless start. Includes chrome trim on top half of door handles

360° camera – four networked short-range cameras in the radiator grille, next to the tailgate release handle plus in the exterior mirror housings, for displaying all four vehicle sides and visualising the vehicle and surroundings from a bird's-eye view in the media display

Panoramic electric glass sunroof – consisting of a fixed panoramic glass rear section and an electrically-operated sliding glass front section

Interior

Burmester® surround sound system – 13 speakers and a 9-channel amplifier with total output of 590 W (7 × 50 W and 2 × 120 W)

Trim and Upholstery

Open-pore grey oak



Black nappa leather



Nappa leather – two-tone platinum white pearl/black



Nappa leather – Two-tone red pepper/black



Upgrade price from Mercedes-AMG C 43 Edition Premium **£3,114**



View offers > Saloon
> Estate



Book a test drive > Saloon
> Estate
> AMG



> Find a Retailer



> View the Range Guide

Mercedes me connect.

Stay connected, any time, anywhere.

Mercedes me is a range of innovative online services designed to enhance your Mercedes-Benz experience. Accessible via mobile, tablet or PC, Mercedes me lets you enjoy the highest standards of care and support, in a way that integrates seamlessly with your busy lifestyle.



Navigation Services (01U)

Visit the Mercedes me connect store or app for pricing.



Live Traffic Information¹

Your navigation system receives traffic data in real time, enabling it to optimise the dynamic route guidance, minimising drive time and offering more precise estimation of arrival times.



Available parking spaces

Locates parking spaces for you in multi-storey car parks and on the street. Saving you time and hassle.



connect Store

In the Mercedes me connect Store you can purchase many digital services designed to make your everyday life easier and provide useful information relating to your networked vehicle.



TIDAL

Love music? Get a 12-month TIDAL HiFi subscription free with Mercedes me connect (worth £240) and unlock access to 58 million songs.



Local Search

This feature provides support in the local search for restaurants or hotels and much more.



Send2Car

Make your journey easier: set your destination using the Mercedes me app and send it directly to your car's navigation system.



Internet Radio

Listen to podcasts and radio stations from anywhere in the world.



Digital Assistant

Digital Assistant allows you to connect to your car via Amazon Alexa or Google Assistant, meaning you can ask from the comfort of your sofa - is my car locked? When's the next service due? How much fuel do I have? Plus much more.

For more information speak to your local Retailer or visit the Mercedes me connect store at shop.mercedes-benz.com/en-gb/connect

¹Free of charge for first 3 years. Extension possible, visit the Mercedes me connect store for details on pricing



View offers

- > Saloon
- > Estate



Book a test drive

- > Saloon
- > Estate
- > AMG



Find a Retailer



View the Range Guide

Mercedes me connect.

Stay connected, any time, anywhere.

Mercedes me is a range of innovative online services designed to enhance your Mercedes-Benz experience. Accessible via mobile, tablet or PC, Mercedes me lets you enjoy the highest standards of care and support, in a way that integrates seamlessly with your busy lifestyle.



Vehicle Set-up (08U)

Visit the Mercedes me connect store or app for pricing.



Remote Vehicle Status

Check safety information, such as coolant level and brake pad condition, so you can be sure your car is safe and ready to drive.



Personalisation

Store your preferences, such as your favourite radio stations and apps, to create your personal driver profile.



Parked Vehicle Locator

Forgot where you parked your car? No problem: you can locate and track your car, with the Parked Vehicle Locator.



Vehicle Tracker

Track the location of your car anywhere in the world.



Pre-Entry Climate Control

Programming of charging settings and Pre-Entry Climate Control for plug-in vehicles.



Remote Door Locking/Unlocking

Lock and unlock your car remotely, wherever you are in the world.



Valet Protect

Worried about your car when you've left it at a long stay car park? With Valet Protect, you'll get an instant notification to your phone when the ignition is started or if your car moves out of a pre-defined area of up to a three mile radius.



Geo-fencing

Set up a geographical boundary and receive alerts whenever your car enters or leaves this area.

For more information speak to your local Retailer or visit the Mercedes me connect store at shop.mercedes-benz.com/en-gb/connect



View offers

- > Saloon
- > Estate



Book a test drive

- > Saloon
- > Estate
- > AMG



Find a Retailer



View the Range Guide

Become the AMG expert

Unleash a new level of performance.

All Mercedes-AMG customers are invited to a complimentary adrenaline-packed driving experience, under the guidance of our driving specialists at Mercedes-Benz World.



Discover AMG at Mercedes-Benz World

- Individually tailored to your ability
- No previous track experience necessary
- See how well an AMG performs when pushed to its limits
- Put your theoretical driving knowledge to the test on a real track
- Understand the cause and effect of understeer, oversteer drift, collision avoidance and track etiquette
- Get to grips with the Mercedes-Benz World's purpose-built track and dynamic driving facilities

TERMS AND CONDITIONS

The following customers only are eligible: the first purchaser/registered keeper of a newly registered Mercedes-AMG. The complimentary Training as described in the brochure must be booked and taken within six months of delivery of your Mercedes-AMG. The Training is available Monday to Friday and is subject to availability. Requests for Saturday and Sunday will incur an additional charge. Upgrades are available for an additional cost: details upon request. Transferable to individuals who reside at the same postal address only. Mercedes-Benz Cars UK Limited reserves the right to amend or withdraw this Training experience. Attendees must hold a full UK driving licence. Attendees will be required to sign the Mercedes-Benz World Driving Risk Acknowledgement prior to undertaking the Training experience. The Training experience is also subject to the Mercedes-Benz World Terms and Conditions, as applicable. Invitation is emailed to the customer post-delivery. Permission via the customer contact preferences must be given to enable Mercedes-Benz World to contact. Retailer demonstrator vehicles are not eligible.



View offers > Saloon
> Estate



Book a test drive > Saloon
> Estate
> AMG



> Find a Retailer



> View the Range Guide

Model prices – Saloon

Model line	Engine	Transmission	CO ₂ ^{1,*}	Basic RRP excl. VAT (£)	Total RRP incl. VAT (£)	Road Fund Licence (£) ²	Rec. OTR price (£) ³	P11D value (£)	BiK tax rate 2020/21 (%)
S	C 180 Petrol – 1,595 cc, 4-cylinder, 156 hp/115 kW	6-speed manual	134	23,362.50	28,035.00	210.00	29,040.00	28,775.00	31
SE	C 220 d Diesel – 1,950 cc, 4-cylinder, 194 hp/143 kW	9G-TRONIC PLUS 9-speed automatic	119	29,870.83	35,845.00	170.00	36,810.00	36,585.00	28
	C 180 Petrol – 1,595 cc, 4-cylinder, 156 hp/115 kW	6-speed manual	138	25,562.50	30,675.00	210.00	31,680.00	31,415.00	32
		9G-TRONIC PLUS 9-speed automatic	tba	26,895.83	32,275.00	tba	tba	tba	tba
	C 200 Petrol – 1,497 cc, 4-cylinder, 184 hp/135 kW EQ Boost – 14 hp/10 kW	9G-TRONIC PLUS 9-speed automatic	139	27,779.17	33,335.00	210.00	34,340.00	34,075.00	32
Sport Edition	C 220 d Diesel – 1,950 cc, 4-cylinder, 194 hp/143 kW	9G-TRONIC PLUS 9-speed automatic	114	31,245.83	37,495.00	170.00	38,460.00	38,235.00	27
	C 300 de EQ Power Diesel – 1,950 cc, 4-cylinder, 194 hp/143 kW Electric motor – 122 hp/90 kW	9G-TRONIC PLUS 9-speed automatic	38	35,183.33	42,220.00	£0.00	43,015.00	42,960.00	12
	C 200 Petrol – 1,497 cc, 4-cylinder, 184 hp/135 kW EQ Boost – 14 hp/10 kW	9G-TRONIC PLUS 9-speed automatic	135	29,154.17	34,985.00	210.00	35,990.00	35,725.00	32

¹The indicated values were determined according to the prescribed measurement method – Worldwide Harmonised Light Vehicle Test Procedure (WLTP). Figures shown may include options which are not available in the UK.

*CO₂ figures have been converted into NEDC-equivalent values for use with the current VED and BiK tax legislation.

Figures shown are for comparability purposes; only compare with other cars tested to the same technical procedures. Figures may not reflect real life driving results, which will depend upon a number of factors including factory-fitted options, accessories fitted (post registration), variations in weather, driving styles and vehicle load. Further information about the test used to establish fuel consumption and CO₂ figures can be found at <http://www.mercedes-benz.co.uk/WLTP>

²A different first year rate of Vehicle Excise Duty (Road Fund Licence) applies for new cars. Please refer to page 96 for the relevant rate for the second and subsequent years

³The recommended on-the-road price includes the Road Fund Licence applicable to the standard model plus delivery charge (£715.00 incl. VAT), new vehicle registration fee (£55.00) and number plates (£25.00 incl. VAT). VAT is calculated at the standard rate of 20%



View offers > Saloon
> Estate



Book a test drive > Saloon
> Estate
> AMG



> Find a Retailer



> View the Range Guide

Model line	Engine	Transmission	CO ₂ ^{1,*}	Basic RRP excl. VAT (£)	Total RRP incl. VAT (£)	Road Fund Licence (£) ²	Rec. OTR price (£) ³	P11D value (£)	BiK tax rate 2020/21 (%)
AMG Line Edition	C 220 d Diesel – 1,950 cc, 4-cylinder, 194 hp/143 kW	9G-TRONIC PLUS 9-speed automatic	114	32,491.67	38,990.00	170.00	39,955.00	39,730.00	27
	C 300 d Diesel – 1,950 cc, 4-cylinder, 245 hp/180 kW	9G-TRONIC PLUS 9-speed automatic	123	33,370.83	40,045.00	170.00	41,010.00	40,785.00	29
	C 300 de EQ Power Diesel – 1,950 cc, 4-cylinder, 194 hp/143 kW Electric motor – 122 hp/90 kW	9G-TRONIC PLUS 9-speed automatic	38	36,429.17	43,715.00	0.00	44,510.00	44,455.00	12
	C 200 Petrol – 1,497 cc, 4-cylinder, 184 hp/135 kW EQ Boost – 14 hp/10 kW	9G-TRONIC PLUS 9-speed automatic	139	30,400.00	36,480.00	210.00	37,485.00	37,220.00	32
	C 300 Petrol – 1,991 cc, 4-cylinder, 258 hp/190 kW	9G-TRONIC PLUS 9-speed automatic	136	32,700.00	39,240.00	210.00	40,245.00	39,980.00	32
AMG Line Night Edition Premium	C 220 d Diesel – 1,950 cc, 4-cylinder, 194 hp/143 kW	9G-TRONIC PLUS 9-speed automatic	128	34,575.00	41,490.00	170.00	42,455.00	42,230.00	30
	C 300 d Diesel – 1,950 cc, 4-cylinder, 245 hp/180 kW	9G-TRONIC PLUS 9-speed automatic	135	35,454.17	42,545.00	210.00	43,550.00	43,285.00	32
	C 300 de EQ Power Diesel – 1,950 cc, 4-cylinder, 194 hp/143 kW Electric motor – 122 hp/90 kW	9G-TRONIC PLUS 9-speed automatic	41	38,512.50	46,215.00	0.00	47,010.00	46,955.00	12

¹The indicated values were determined according to the prescribed measurement method – Worldwide Harmonised Light Vehicle Test Procedure (WLTP). Figures shown may include options which are not available in the UK.

*CO₂ figures have been converted into NEDC-equivalent values for use with the current VED and BIK tax legislation.

Figures shown are for comparability purposes; only compare with other cars tested to the same technical procedures. Figures may not reflect real life driving results, which will depend upon a number of factors including factory-fitted options, accessories fitted (post registration), variations in weather, driving styles and vehicle load. Further information about the test used to establish fuel consumption and CO₂ figures can be found at <http://www.mercedes-benz.co.uk/WLTP>

²A different first year rate of Vehicle Excise Duty (Road Fund Licence) applies for new cars. Please refer to page 96 for the relevant rate for the second and subsequent years

³The recommended on-the-road price includes the Road Fund Licence applicable to the standard model plus delivery charge (£715.00 incl. VAT), new vehicle registration fee (£55.00) and number plates (£25.00 incl. VAT). VAT is calculated at the standard rate of 20%



View offers > Saloon
> Estate



Book a test drive > Saloon
> Estate
> AMG



> Find a Retailer



> View the Range Guide

Model line	Engine	Transmission	CO ₂ ^{1,*}	Basic RRP excl. VAT (£)	Total RRP incl. VAT (£)	Road Fund Licence (£) ²	Rec. OTR price (£) ³	P11D value (£)	BiK tax rate 2020/21 (%)
AMG Line Night Edition Premium	C 200 Petrol – 1,497 cc, 4-cylinder, 184 hp/135 kW EQ Boost – 14 hp/10 kW	9G-TRONIC PLUS 9-speed automatic	tba	32,483.33	38,980.00	tba	tba	tba	tba
	C 300 Petrol – 1,991 cc, 4-cylinder, 258 hp/190 kW	9G-TRONIC PLUS 9-speed automatic	149	34,029.17	40,835.00	210.00	41,840.00	41,575.00	34
AMG Line Night Edition Premium Plus	C 220 d Diesel – 1,950 cc, 4-cylinder, 194 hp/143 kW	9G-TRONIC PLUS 9-speed automatic	128	36,658.33	43,990.00	170.00	44,955.00	44,730.00	30
	C 300 d Diesel – 1,950 cc, 4-cylinder, 245 hp/180 kW	9G-TRONIC PLUS 9-speed automatic	135	37,537.50	45,045.00	210.00	46,050.00	45,785.00	32
	C 300 de EQ Power Diesel – 1,950 cc, 4-cylinder, 194 hp/143 kW Electric motor – 122 hp/90 kW	9G-TRONIC PLUS 9-speed automatic	41	40,595.83	48,715.00	0.00	49,510.00	49,455.00	12
	C 200 Petrol – 1,497 cc, 4-cylinder, 184 hp/135 kW EQ Boost – 14 hp/10 kW	9G-TRONIC PLUS 9-speed automatic	tba	34,566.67	41,480.00	tba	tba	tba	tba
	C 300 Petrol – 1,991 cc, 4-cylinder, 258 hp/190 kW	9G-TRONIC PLUS 9-speed automatic	149	36,112.50	43,335.00	210.00	44,340.00	44,075.00	tba

¹The indicated values were determined according to the prescribed measurement method – Worldwide Harmonised Light Vehicle Test Procedure (WLTP). Figures shown may include options which are not available in the UK.

*CO₂ figures have been converted into NEDC-equivalent values for use with the current VED and BIK tax legislation.

Figures shown are for comparability purposes; only compare with other cars tested to the same technical procedures. Figures may not reflect real life driving results, which will depend upon a number of factors including factory-fitted options, accessories fitted (post registration), variations in weather, driving styles and vehicle load. Further information about the test used to establish fuel consumption and CO₂ figures can be found at <http://www.mercedes-benz.co.uk/WLTP>

²A different first year rate of Vehicle Excise Duty (Road Fund Licence) applies for new cars. Please refer to page 96 for the relevant rate for the second and subsequent years

³The recommended on-the-road price includes the Road Fund Licence applicable to the standard model plus delivery charge (£715.00 incl. VAT), new vehicle registration fee (£55.00) and number plates (£25.00 incl. VAT). VAT is calculated at the standard rate of 20%



View offers > Saloon
> Estate



Book a test drive > Saloon
> Estate
> AMG



> Find a Retailer



> View the Range Guide

Model line	Engine	Transmission	CO ₂ ^{1,*}	Basic RRP excl. VAT (£)	Total RRP incl. VAT (£)	Road Fund Licence (£) ²	Rec. OTR price (£) ³	P11D value (£)	BiK tax rate 2020/21 (%)
Mercedes-AMG Edition	AMG C 43 4MATIC Petrol – 2,996 cc, 6-cylinder, 390 hp/287 kW	9G-TRONIC PLUS 9-speed automatic	tba	40,662.50	48,795.00	tba	tba	tba	tba
Mercedes-AMG Edition Premium	AMG C 43 4MATIC Petrol – 2,996 cc, 6-cylinder, 390 hp/287 kW	9G-TRONIC PLUS 9-speed automatic	208	42,329.17	50,795.00	1,280.00	52,870.00	51,535.00	37
Mercedes-AMG Edition Premium Plus	AMG C 43 4MATIC Petrol – 2,996 cc, 6-cylinder, 390 hp/287 kW	9G-TRONIC PLUS 9-speed automatic	208	43,995.83	52,795.00	1,280.00	54,870.00	53,535.00	37
Mercedes-AMG	AMG C 63 S Petrol – 3,982 cc, 8-cylinder, 510 hp/375 kW	AMG SPEEDSHIFT MCT 9-speed auto.	227	61,881.67	74,258.00	1,815.00	76,868.00	74,998.00	37
Mercedes-AMG Premium Plus	AMG C 63 S Petrol – 3,982 cc, 8-cylinder, 510 hp/375 kW	AMG SPEEDSHIFT MCT 9-speed auto.	227	64,467.67	77,372.00	1,815.00	79,982.00	78,112.00	37

¹The indicated values were determined according to the prescribed measurement method – Worldwide Harmonised Light Vehicle Test Procedure (WLTP). Figures shown may include options which are not available in the UK.

*CO₂ figures have been converted into NEDC-equivalent values for use with the current VED and BiK tax legislation.

Figures shown are for comparability purposes; only compare with other cars tested to the same technical procedures. Figures may not reflect real life driving results, which will depend upon a number of factors including factory-fitted options, accessories fitted (post registration), variations in weather, driving styles and vehicle load. Further information about the test used to establish fuel consumption and CO₂ figures can be found at <http://www.mercedes-benz.co.uk/WLTP>

²A different first year rate of Vehicle Excise Duty (Road Fund Licence) applies for new cars. Please refer to page 96 for the relevant rate for the second and subsequent years

³The recommended on-the-road price includes the Road Fund Licence applicable to the standard model plus delivery charge (£715.00 incl. VAT), new vehicle registration fee (£55.00) and number plates (£25.00 incl. VAT). VAT is calculated at the standard rate of 20%



View offers > Saloon
> Estate



Book a test drive > Saloon
> Estate
> AMG



> Find a Retailer



> View the Range Guide

Model prices – Estate

Model line	Engine	Transmission	CO ₂ ^{1,*}	Basic RRP excl. VAT (£)	Total RRP incl. VAT (£)	Road Fund Licence (£) ²	Rec. OTR price (£) ³	P11D value (£)	BiK tax rate 2020/21 (%)
Sport Edition	C 220 d Diesel – 1,950 cc, 4-cylinder, 194 hp/143 kW	9G-TRONIC PLUS 9-speed automatic	117	32,245.83	38,695.00	170.00	39,660.00	39,435.00	28
	C 300 de EQ Power Diesel – 1,950 cc, 4-cylinder, 194 hp/143 kW Electric motor – 122 hp/90 kW	9G-TRONIC PLUS 9-speed automatic	39	36,183.33	43,420.00	0.00	44,215.00	44,160.00	12
	C 200 Petrol – 1,497 cc, 4-cylinder, 184 hp/135 kW EQ Boost – 14 hp/10 kW	9G-TRONIC PLUS 9-speed automatic	142	30,154.17	36,185.00	210.00	37,190.00	36,925.00	33
AMG Line Edition	C 220 d Diesel – 1,950 cc, 4-cylinder, 194 hp/143 kW	9G-TRONIC PLUS 9-speed automatic	117	33,491.67	40,190.00	170.00	41,155.00	40,930.00	28
	C 300 d Diesel – 1,950 cc, 4-cylinder, 245 hp/180 kW	9G-TRONIC PLUS 9-speed automatic	132	34,370.83	41,245.00	170.00	42,210.00	41,985.00	29
	C 300 d 4MATIC Diesel – 1,950 cc, 4-cylinder, 245 hp/180 kW	9G-TRONIC PLUS 9-speed automatic	141	35,704.17	42,845.00	210.00	43,850.00	43,585.00	32
	C 300 de EQ Power Diesel – 1,950 cc, 4-cylinder, 194 hp/143 kW Electric motor – 122 hp/90 kW	9G-TRONIC PLUS 9-speed automatic	tba	37,429.17	44,915.00	tba	tba	tba	tba
	C 200 Petrol – 1,497 cc, 4-cylinder, 184 hp/135 kW EQ Boost – 14 hp/10 kW	9G-TRONIC PLUS 9-speed automatic	142	31,400.00	37,680.00	210.00	38,685.00	38,420.00	33
	C 300 Petrol – 1,991 cc, 4-cylinder, 258 hp/190 kW	9G-TRONIC PLUS 9-speed automatic	141	33,700.00	40,440.00	210.00	41,445.00	41,180.00	33

¹The indicated values were determined according to the prescribed measurement method – Worldwide Harmonised Light Vehicle Test Procedure (WLTP). Figures shown may include options which are not available in the UK.

*CO₂ figures have been converted into NEDC-equivalent values for use with the current VED and BIK tax legislation.

Figures shown are for comparability purposes; only compare with other cars tested to the same technical procedures. Figures may not reflect real life driving results, which will depend upon a number of factors including factory-fitted options, accessories fitted (post registration), variations in weather, driving styles and vehicle load. Further information about the test used to establish fuel consumption and CO₂ figures can be found at <http://www.mercedes-benz.co.uk/WLTP>

²A different first year rate of Vehicle Excise Duty (Road Fund Licence) applies for new cars. Please refer to page 96 for the relevant rate for the second and subsequent years

³The recommended on-the-road price includes the Road Fund Licence applicable to the standard model plus delivery charge (£715.00 incl. VAT), new vehicle registration fee (£55.00) and number plates (£25.00 incl. VAT). VAT is calculated at the standard rate of 20%



View offers > Saloon
> Estate



Book a test drive > Saloon
> Estate
> AMG



> Find a Retailer



> View the Range Guide

Model line	Engine	Transmission	CO ₂ ^{1,*}	Basic RRP excl. VAT (£)	Total RRP incl. VAT (£)	Road Fund Licence (£) ²	Rec. OTR price (£) ³	P11D value (£)	BiK tax rate 2020/21 (%)
AMG Line Night Edition Premium	C 220 d Diesel – 1,950 cc, 4-cylinder, 194 hp/143 kW	9G-TRONIC PLUS 9-speed automatic	132	35,575.00	42,690.00	210.00	43,695.00	£43,430.00	31
	C 300 d Diesel – 1,950 cc, 4-cylinder, 245 hp/180 kW	9G-TRONIC PLUS 9-speed automatic	139	36,454.17	43,745.00	210.00	44,750.00	44,485.00	32
	C 300 d 4MATIC Diesel – 1,950 cc, 4-cylinder, 245 hp/180 kW	9G-TRONIC PLUS 9-speed automatic	tba	37,787.50	45,345.00	tba	tba	tba	tba
	C 300 de EQ Power Diesel – 1,950 cc, 4-cylinder, 194 hp/143 kW Electric motor – 122 hp/90 kW	9G-TRONIC PLUS 9-speed automatic	42	39,512.50	47,415.00	£0.00	48,210.00	48,155.00	12
	C 200 Petrol – 1,497 cc, 4-cylinder, 184 hp/135 kW EQ Boost – 14 hp/10 kW	9G-TRONIC PLUS 9-speed automatic	151	33,483.33	40,180.00	530.00	41,505.00	40,920.00	35
	C 300 Petrol – 1,991 cc, 4-cylinder, 258hp/190kW	9G-TRONIC PLUS 9-speed automatic	156	35,783.33	42,940.00	530.00	44,265.00	43,680.00	36
AMG Line Night Edition Premium Plus	C 220 d Diesel – 1,950 cc, 4-cylinder, 194 hp/143 kW	9G-TRONIC PLUS 9-speed automatic	132	37,658.33	45,190.00	210.00	46,195.00	45,930.00	31
	C 300 d Diesel – 1,950 cc, 4-cylinder, 245 hp/180 kW	9G-TRONIC PLUS 9-speed automatic	139	38,537.50	£46,245.00	210.00	47,250.00	46,985.00	32
	C 300 d 4MATIC Diesel – 1,950 cc, 4-cylinder, 245 hp/180 kW	9G-TRONIC PLUS 9-speed automatic	tba	39,870.83	47,845.00	tba	tba	tba	tba
	C 300 de EQ Power Diesel – 1,950 cc, 4-cylinder, 194 hp/143 kW Electric motor – 122 hp/90 kW	9G-TRONIC PLUS 9-speed automatic	42	41,595.83	49,915.00	0.00	50,710.00	50,655.00	12

¹The indicated values were determined according to the prescribed measurement method – Worldwide Harmonised Light Vehicle Test Procedure (WLTP). Figures shown may include options which are not available in the UK.

*CO₂ figures have been converted into NEDC-equivalent values for use with the current VED and BIK tax legislation.

Figures shown are for comparability purposes; only compare with other cars tested to the same technical procedures. Figures may not reflect real life driving results, which will depend upon a number of factors including factory-fitted options, accessories fitted (post registration), variations in weather, driving styles and vehicle load. Further information about the test used to establish fuel consumption and CO₂ figures can be found at <http://www.mercedes-benz.co.uk/WLTP>

²A different first year rate of Vehicle Excise Duty (Road Fund Licence) applies for new cars. Please refer to page 96 for the relevant rate for the second and subsequent years

³The recommended on-the-road price includes the Road Fund Licence applicable to the standard model plus delivery charge (£715.00 incl. VAT), new vehicle registration fee (£55.00) and number plates (£25.00 incl. VAT). VAT is calculated at the standard rate of 20%



View offers > Saloon
> Estate



Book a test drive > Saloon
> Estate
> AMG



> Find a Retailer



> View the Range Guide

Model line	Engine	Transmission	CO ₂ ^{1,*}	Basic RRP excl. VAT (£)	Total RRP incl. VAT (£)	Road Fund Licence (£) ²	Rec. OTR price (£) ³	P11D value (£)	BiK tax rate 2020/21 (%)
AMG Line Night Edition Premium Plus	C 200 Petrol – 1,497 cc, 4-cylinder, 184 hp/135 kW EQ Boost – 14 hp/10 kW	9G-TRONIC PLUS 9-speed automatic	151	35,566.67	42,680.00	530.00	44,005.00	43,420.00	35
	C 300 Petrol – 1,991 cc, 4-cylinder, 258hp/190kW	9G-TRONIC PLUS 9-speed automatic	156	37,866.67	45,440.00	£530.00	46,765.00	46,180.00	36
Mercedes-AMG Edition	AMG C 43 4MATIC Petrol – 2,996 cc, 6-cylinder, 390 hp/287 kW	9G-TRONIC PLUS 9-speed automatic	tba	41,662.50	49,995.00	tba	tba	tba	tba
Mercedes-AMG Edition Premium	AMG C 43 4MATIC Petrol – 2,996 cc, 6-cylinder, 390 hp/287 kW	9G-TRONIC PLUS 9-speed automatic	211	43,329.17	51,995.00	1,280.00	54,070.00	52,735.00	37
Mercedes-AMG Edition Premium Plus	AMG C 43 4MATIC Petrol – 2,996 cc, 6-cylinder, 390 hp/287 kW	9G-TRONIC PLUS 9-speed automatic	211	44,995.83	53,995.00	1,280.00	56,070.00	54,735.00	37
Mercedes-AMG	AMG C 63 S Petrol – 3,982 cc, 8-cylinder, 510 hp/375 kW	AMG SPEEDSHIFT MCT 9-speed auto.	230	62,881.66	75,458.00	1,815.00	78,068.00	76,198.00	37
Mercedes-AMG Premium Plus	AMG C 63 S Petrol – 3,982 cc, 8-cylinder, 510 hp/375 kW	AMG SPEEDSHIFT MCT 9-speed auto.	230	65,476.66	78,572.00	1,815.00	81,182.00	79,312.00	37

¹The indicated values were determined according to the prescribed measurement method – Worldwide Harmonised Light Vehicle Test Procedure (WLTP). Figures shown may include options which are not available in the UK.

*CO₂ figures have been converted into NEDC-equivalent values for use with the current VED and BIK tax legislation.

Figures shown are for comparability purposes; only compare with other cars tested to the same technical procedures. Figures may not reflect real life driving results, which will depend upon a number of factors including factory-fitted options, accessories fitted (post registration), variations in weather, driving styles and vehicle load. Further information about the test used to establish fuel consumption and CO₂ figures can be found at <http://www.mercedes-benz.co.uk/WLTP>

²A different first year rate of Vehicle Excise Duty (Road Fund Licence) applies for new cars. Please refer to page 96 for the relevant rate for the second and subsequent years

³The recommended on-the-road price includes the Road Fund Licence applicable to the standard model plus delivery charge (£715.00 incl. VAT), new vehicle registration fee (£55.00) and number plates (£25.00 incl. VAT). VAT is calculated at the standard rate of 20%



Pricing summary for model and equipment lines – Saloon

Model	Transmission	Recommended OTR price (£) ¹					
		S	SE	Sport Edition	AMG Line Edition	AMG Line Night Edition Premium	AMG Line Night Edition Premium Plus
C 220 d	9G-TRONIC PLUS 9-speed auto.	-	36,810.00	38,460.00	39,955.00	42,455.00	44,955.00
C 300 d	9G-TRONIC PLUS 9-speed auto.	-	-	-	41,010.00	43,550.00	46,050.00
C 300 de EQ Power	9G-TRONIC PLUS 9-speed auto.	-	-	43,015.00	44,510.00	47,010.00	49,510.00
C 180	6-speed manual	29,790.00	31,680.00	-	-	-	-
	9G-TRONIC PLUS 9-speed auto.	-	tba	-	-	-	-
C 200	9G-TRONIC PLUS 9-speed auto.	-	34,340.00	35,990.00	37,485.00	tba	tba
C 300	9G-TRONIC PLUS 9-speed auto.	-	-	-	40,245.00	41,840.00	44,340.00
C 300 e	9G-TRONIC PLUS 9-speed auto.	-	-	43,015.00	44,510.00	47,010.00	49,510.00
		Mercedes-AMG Edition	Mercedes-AMG Edition Premium	Mercedes-AMG Edition Premium Plus	Mercedes-AMG	Mercedes-AMG Premium Plus	
Mercedes-AMG C 43 4MATIC	9G-TRONIC PLUS 9-speed auto.	tba	52,870.00	54,870.00	-	-	
Mercedes-AMG C 63 S	AMG SPEEDSHIFT MCT 9-speed auto.	-	-	-	76,868.00	79,982.00	

¹The recommended on-the-road price includes the Road Fund Licence applicable to the standard model plus delivery charge (£715.00 incl. VAT), new vehicle registration fee (£55.00) and number plates (£25.00 incl. VAT). VAT is calculated at the standard rate of 20%



View offers > Saloon
> Estate



Book a test drive > Saloon
> Estate
> AMG



> Find a Retailer



> View the Range Guide

Pricing summary for model and equipment lines – Estate

Model	Transmission	Recommended OTR price (£) ¹				
		Sport Edition	AMG Line Edition	AMG Line Edition Premium	AMG Line Edition Premium Plus	
C 220 d	9G-TRONIC PLUS 9-speed auto.	39,660.00	41,155.00	43,695.00	46,195.00	
C 300 d	9G-TRONIC PLUS 9-speed auto.	-	42,210.00	44,750.00	47,250.00	
C 300 d 4MATIC	9G-TRONIC PLUS 9-speed auto.	-	43,850.00	tba	tba	
C 300 de EQ Power	9G-TRONIC PLUS 9-speed auto.	44,215.00	tba	48,210.00	50,710.00	
C 200	9G-TRONIC PLUS 9-speed auto.	37,190.00	38,685.00	41,505.00	44,005.00	
C 300	9G-TRONIC PLUS 9-speed auto.	-	41,445.00	44,265.00	46,765.00	
		Mercedes-AMG Edition	Mercedes-AMG Edition Premium	Mercedes-AMG Edition Premium Plus	Mercedes-AMG	Mercedes-AMG Premium Plus
Mercedes-AMG C 43 4MATIC	9G-TRONIC PLUS 9-speed auto.	tba	54,070.00	56,070.00	-	-
Mercedes-AMG C 63 S	AMG SPEEDSHIFT MCT 9-speed auto.	-	-	-	78,068.00	81,182.00

¹The recommended on-the-road price includes the Road Fund Licence applicable to the standard model plus delivery charge (£715.00 incl. VAT), new vehicle registration fee (£55.00) and number plates (£25.00 incl. VAT). VAT is calculated at the standard rate of 20%



View offers > Saloon
> Estate



Book a test drive > Saloon
> Estate
> AMG



> Find a Retailer



> View the Range Guide

Driving Assistance package

The Driving Assistance package contains a range of highly intelligent features to help you stay safe on the road – by making the drive more effortless, by warning of danger, and by taking steps to protect you in an emergency. This package is only available with automatic transmission.

Driving Assistance package (code 23P) – designed and priced as a package, including items as listed.

AMG Line Edition,¹ Mercedes-AMG C43 4MATIC Edition and Mercedes-AMG C63 S **Total incl. VAT £1,695.00**

Driving Assistance package (code 23P)

Active Blind Spot Assist

Active Blind Spot Assist can warn the driver of vehicles in the blind spot during a lane change and can help to avoid a collision by means of one-sided braking intervention

Active Braking Assist with cross-traffic function and tailback emergency braking function

Can help to avoid accidents with vehicles ahead, crossing traffic and also pedestrians, and/or mitigate their consequences

Active Distance Assist DISTRONIC – Active Steering Assist – Active Speed Limit Assist

DISTRONIC proximity control helps maintain the desired distance from another vehicle in front. Active Steering Assist provides targeted steering intervention to prevent unintentional drifting out of lane. Active Speed Limit Assist¹ ensures detected speed limits are automatically adopted as the set speed for Active Distance Assist DISTRONIC

Active Lane-change Assist¹

Assists the driver with changing lanes by means of steering torque as soon as the driver initiates the change by activating the direction indicator, provided the system does not detect another vehicle in the adjacent lane

Active Lane Keeping Assist

Active Lane Keeping Assist can warn drivers when they unintentionally leave their lane and can use one-sided braking intervention to help manoeuvre the vehicle back into its lane (including, in the case of broken lane markings, if there is a risk of collision)

Evasive Steering Assist

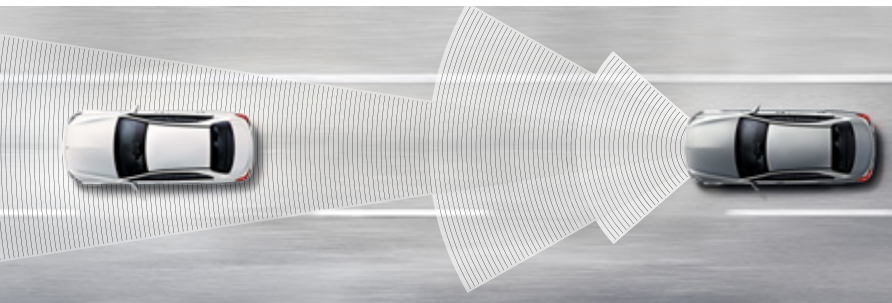
Evasive Steering Assist can support the driver in making evasive manoeuvres if, in a dangerous situation, he/she moves to avoid any pedestrian detected by the system

Route-based speed adaptation

Adaption of speed before curves, roundabouts, junctions, toll roads. Allows for smoother and more accurate functionality of several driving assistant systems

PRE-SAFE[®] PLUS

When a rear-end collision threatens, PRE-SAFE[®] PLUS can initiate preventive measures to protect the occupants, including warning following traffic and locking the brakes on standstill



DISTRONIC PLUS

¹Only available with automatic transmission



View offers > Saloon
> Estate



Book a test drive > Saloon
> Estate
> AMG



> Find a Retailer



> View the Range Guide

Colours and materials





View offers > Saloon
> Estate



Book a test drive > Saloon
> Estate
> AMG



> Find a Retailer



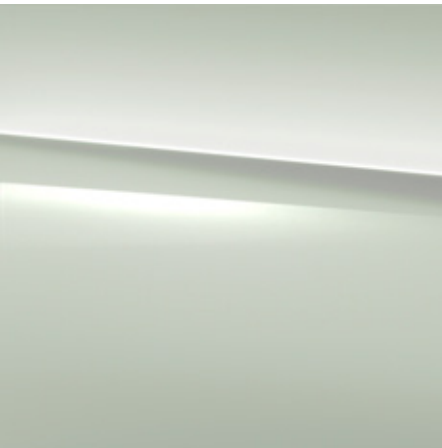
> View the Range Guide

Colours and materials

48

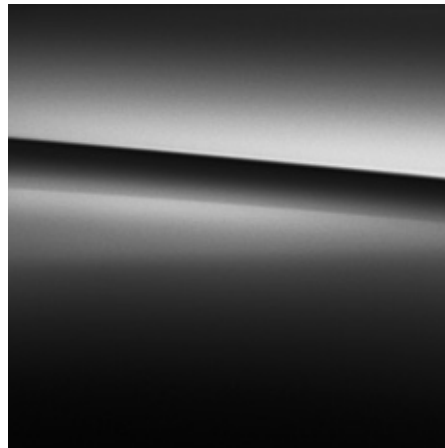
Non-metallic and metallic paints (standard and optional)

Total prices incl. VAT



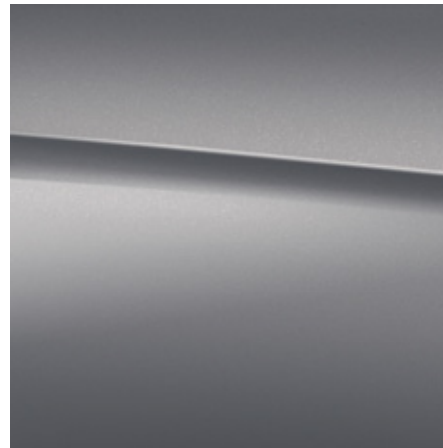
149 polar white

standard



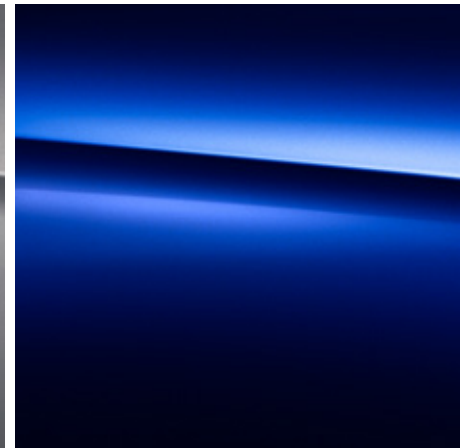
197 obsidian black

£685.00



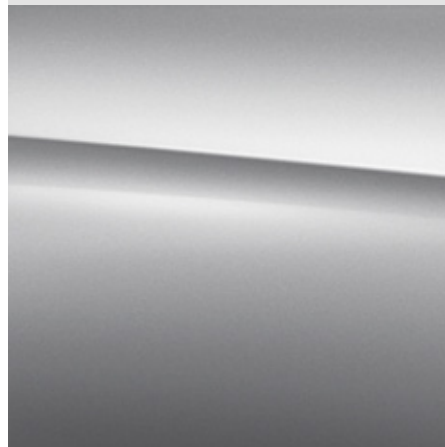
859 mojave silver metallic

£685.00



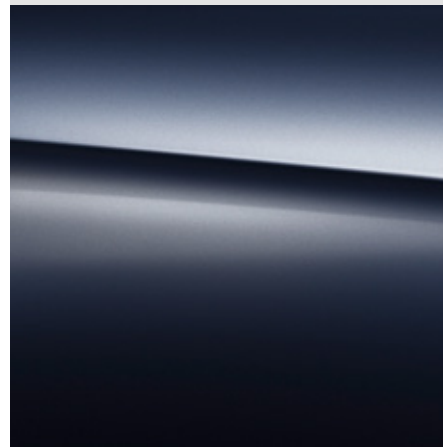
896 brilliant blue

£685.00



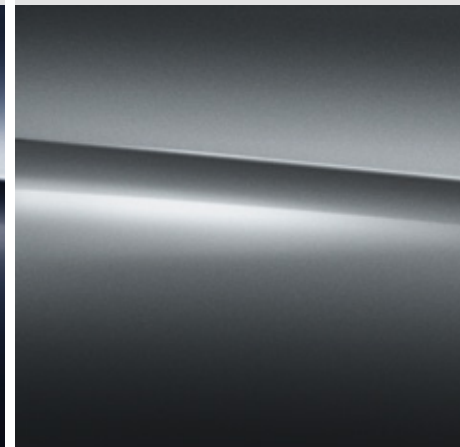
775 iridium silver metallic

£685.00



890 cavansite blue¹

£685.00



992 selenite grey

£685.00

¹Not available on Mercedes-AMG C 63 S. Please note that, owing to limitations of on-screen representation, paint colours may differ from those shown



View offers [> Saloon](#)
[> Estate](#)



Book a test drive [> Saloon](#)
[> Estate](#)
[> AMG](#)



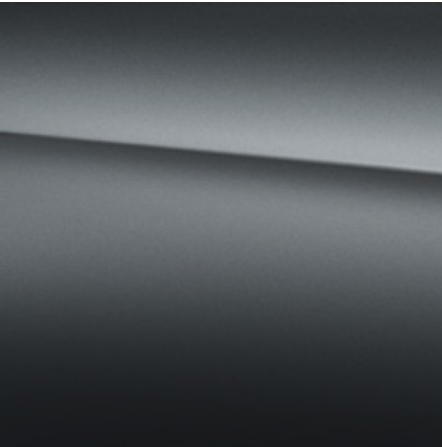
[> Find a Retailer](#)



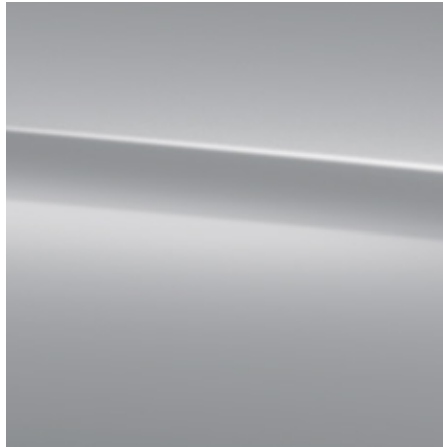
[> View the Range Guide](#)

Special metallic paints (additional-cost option)

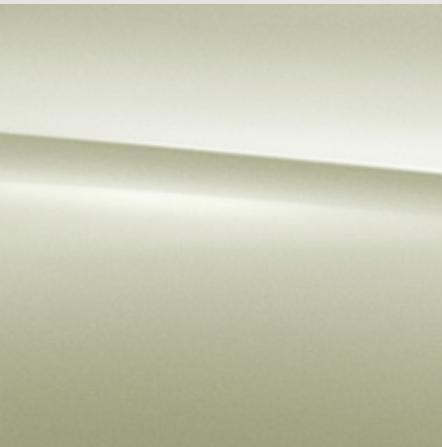
Total prices incl. VAT



297 designo selenite grey magno¹ **£1,795.00**



982 designo iridium silver magno¹ **£1,795.00**



799 designo diamond white **895.00**



996 designo hyacinth red² **£895.00**

¹Only available on Mercedes-AMG C 63 S ²Not available on Mercedes-AMG C 63 S Please note that, owing to limitations of on-screen representation, paint colours may differ from those shown



View offers > Saloon
> Estate



Book a test drive > Saloon
> Estate
> AMG



Find a Retailer



View the Range Guide

Trim



H80 high-gloss black

S/SE	●
Sport Edition	-
AMG Line Edition	-
AMG Line Night Edition Premium/Plus	-
Mercedes-AMG C 43 4MATIC	-
Mercedes-AMG C 43 4MATIC Premium/Plus	-
Mercedes-AMG C 63 S/Premium Plus	-



739 high-gloss black/aluminium

SE	-
Sport Edition	●
AMG Line Edition	-
AMG Line Night Edition Premium/Plus	-
Mercedes-AMG C 43 4MATIC Edition/Premium	-
Mercedes-AMG C 43 4MATIC Edition Premium Plus	-
Mercedes-AMG C 63 S/Premium Plus	-



736 open-pore black ash

SE	-
Sport Edition	-
AMG Line Edition	-
AMG Line Night Edition Premium/Plus	●
Mercedes-AMG C 43 4MATIC Edition/Premium	●
Mercedes-AMG C 43 4MATIC Edition Premium Plus	●
Mercedes-AMG C 63 S/Premium Plus	-



View offers > Saloon
> Estate



Book a test drive > Saloon
> Estate
> AMG



Find a Retailer



View the Range Guide



H31 open-pore grey oak

SE	-
Sport Edition	-
AMG Line Edition	●
AMG Line Night Edition Premium/Plus	-
Mercedes-AMG C 43 4MATIC Edition/Premium	-
Mercedes-AMG C 43 4MATIC Edition Premium Plus	-
Mercedes-AMG C 63 S/Premium Plus	●



H73 AMG carbon fibre/aluminium¹

SE	-
Sport Edition	-
AMG Line Edition	-
AMG Line Night Edition Premium/Plus	-
Mercedes-AMG C 43 4MATIC Edition/Premium	-
Mercedes-AMG C 43 4MATIC Edition Premium Plus	-
Mercedes-AMG C 63 S/Premium Plus	○



View offers > Saloon
> Estate



Book a test drive > Saloon
> Estate
> AMG



> Find a Retailer



> View the Range Guide

Upholstery



101A ARTICO man-made leather - black

S/SE	●
Sport Edition	-
AMG Line Edition	-
AMG Line Night Edition Premium/Plus	-
Mercedes-AMG C 43 4MATIC Edition/Premium	-
Mercedes-AMG C 43 4MATIC Edition Premium Plus	-
Mercedes-AMG C 63 S/Premium Plus	-



201A Leather¹ - black

SE	-
Sport Edition	●
AMG Line Edition	-
AMG Line Night Edition Premium/Plus	-
Mercedes-AMG C 43 4MATIC Edition/Premium	-
Mercedes-AMG C 43 4MATIC Edition Premium Plus	-
Mercedes-AMG C 63 S/Premium Plus	-

● Standard - Not available ¹At least 80% of the seat upholstery is pure leather, while up to 20% may consist of man-made leather



View offers > Saloon
> Estate



Book a test drive > Saloon
> Estate
> AMG



Find a Retailer



View the Range Guide



215A Leather¹ – silk beige

SE	–
Sport Edition	○
AMG Line Edition	–
AMG Line Night Edition Premium/Plus	–
Mercedes-AMG C 43 4MATIC Edition/Premium	–
Mercedes-AMG C 43 4MATIC Edition Premium Plus	–
Mercedes-AMG C 63 S/Premium Plus	–



241A Leather¹ – black with red stitching²

SE	–
Sport Edition	–
AMG Line Edition	–
AMG Line Night Edition Premium/Plus	–
Mercedes-AMG C 43 4MATIC Edition/Premium	○
Mercedes-AMG C 43 4MATIC Edition Premium Plus	○
Mercedes-AMG C 63 S/Premium Plus	–

● Standard ○ No-cost option – Not available ¹At least 80% of the seat upholstery is pure leather, while up to 20% may consist of man-made leather ²Only available with Memory package



View offers > Saloon
> Estate



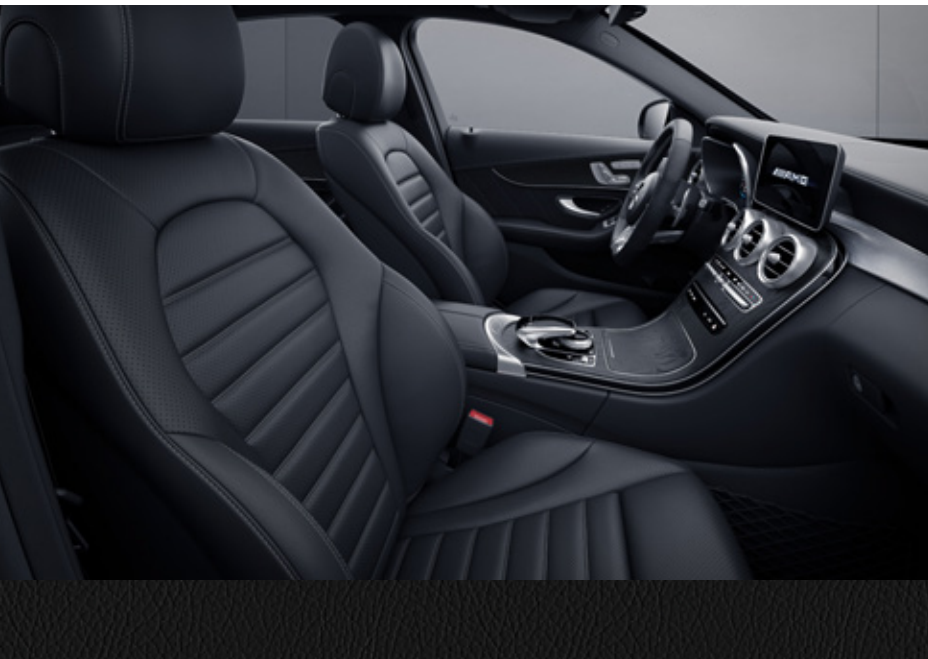
Book a test drive > Saloon
> Estate
> AMG



Find a Retailer



View the Range Guide



251A Leather¹ – black

SE	-
Sport Edition	-
AMG Line Edition	●
AMG Line Night Edition Premium/Plus	●
Mercedes-AMG C 43 4MATIC Edition/Premium	●
Mercedes-AMG C 43 4MATIC Edition Premium Plus	●
Mercedes-AMG C 63 S/Premium Plus	-



264A Leather¹ – saddle brown

SE	-
Sport Edition	-
AMG Line Edition	○
AMG Line Night Edition Premium/Plus	○
Mercedes-AMG C 43 4MATIC Edition/Premium	○
Mercedes-AMG C 43 4MATIC Edition Premium Plus	○
Mercedes-AMG C 63 S/Premium Plus	-

● Standard ○ No-cost option - Not available ¹At least 80% of the seat upholstery is pure leather, while up to 20% may consist of man-made leather



View offers > Saloon
> Estate



Book a test drive > Saloon
> Estate
> AMG



> Find a Retailer



> View the Range Guide



267A Leather¹ – cranberry red

SE	–
Sport Edition	–
AMG Line Edition	○
AMG Line Night Edition Premium/Plus	○
Mercedes-AMG C 43 4MATIC Edition/Premium	○
Mercedes-AMG C 43 4MATIC Edition Premium Plus	○
Mercedes-AMG C 63 S/Premium Plus	–



801A/811A Nappa leather² – black

SE	–
Sport Edition	–
AMG Line Edition	–
AMG Line Night Edition Premium/Plus	–
Mercedes-AMG C 43 4MATIC Edition/Premium	–
Mercedes-AMG C 43 4MATIC Edition Premium Plus	–
Mercedes-AMG C 63 S/Premium Plus	●



View offers > Saloon
> Estate



Book a test drive > Saloon
> Estate
> AMG



Find a Retailer

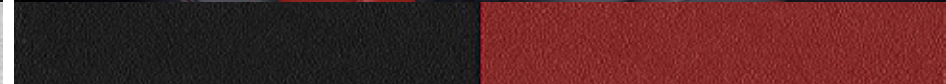


View the Range Guide



851A Nappa leather¹ – two-tone platinum white/black

SE	-
Sport Edition	-
AMG Line Edition	-
AMG Line Night Edition Premium/Plus	-
Mercedes-AMG C 43 4MATIC Edition/Premium	-
Mercedes-AMG C 43 4MATIC Edition Premium Plus	-
Mercedes-AMG C 63 S/Premium Plus	○



857A Nappa leather¹ – two-tone red pepper/black

SE	-
Sport Edition	-
AMG Line Edition	-
AMG Line Night Edition Premium/Plus	-
Mercedes-AMG C 43 4MATIC Edition/Premium	-
Mercedes-AMG C 43 4MATIC Edition Premium Plus	-
Mercedes-AMG C 63 S/Premium Plus	○

● Standard ○ No-cost option - Not available ¹100% of seat upholstery is pure leather



View offers > Saloon
> Estate



Book a test drive > Saloon
> Estate
> AMG



> Find a Retailer



> View the Range Guide

Wheels



R89 16" 10-spoke alloy wheels (4) – painted vanadium silver
205/60 tyres



R62 17" aero 5-twin-spoke alloy wheels (4) – painted high-gloss black with a high-sheen finish
225/50 tyre



R87 18" aero 5-twin-spoke alloy wheels (4) – painted high-gloss black with a high-sheen finish
225/45 tyres

S	●
SE	-
Sport Edition	-
AMG Line	-
AMG Line Night Edition Premium/Plus	-
Mercedes-AMG C 43 4MATIC Edition	-
Mercedes-AMG C 43 4MATIC Edition Premium/Plus	-
Mercedes-AMG C 63 S/PremiumPlus	-
Total RRP incl. VAT (£)	-
excl. VAT (£)	-

S	-
SE	●
Sport Edition	-
AMG Line	-
AMG Line Night Edition Premium/Plus	-
Mercedes-AMG C 43 4MATIC Edition	-
Mercedes-AMG C 43 4MATIC Edition Premium/Plus	-
Mercedes-AMG C 63 S/PremiumPlus	-
Total RRP incl. VAT (£)	-
excl. VAT (£)	-

S	-
SE	-
Sport Edition	●
AMG Line	-
AMG Line Night Edition Premium/Plus	-
Mercedes-AMG C 43 4MATIC Edition	-
Mercedes-AMG C 43 4MATIC Edition Premium/Plus	-
Mercedes-AMG C 63 S/PremiumPlus	-
Total RRP incl. VAT (£)	-
excl. VAT (£)	-



View offers > Saloon
> Estate



Book a test drive > Saloon
> Estate
> AMG



Find a Retailer



View the Range Guide



RSJ 18" AMG aero 5-twin-spoke alloy wheels (4) – tremolite grey
front: 225/45 tyres; rear: 245/40 tyres

S	-
SE	-
Sport Edition	-
AMG Line	●
AMG Line Night Edition Premium/Plus	-
Mercedes-AMG C 43 4MATIC Edition	●
Mercedes-AMG C 43 4MATIC Edition Premium/Plus	-
Mercedes-AMG C 63 S/PremiumPlus	-
Total RRP incl. VAT (£)	-
excl. VAT (£)	-



RVC 19" AMG alloy wheels (4) – multi-spoke design,
painted black
front: 225/40 tyres; rear: 255/35 tyres

S	-
SE	-
Sport Edition	-
AMG Line	-
AMG Line Night Edition Premium/Plus	●
Mercedes-AMG C 43 4MATIC Edition	-
Mercedes-AMG C 43 4MATIC Edition Premium/Plus	-
Mercedes-AMG C 63 S/PremiumPlus	-
Total RRP incl. VAT (£)	-
excl. VAT (£)	-



RSV 19" AMG alloy wheels (4) – 5-twin-spoke design, aerodynamically
optimised, painted high-gloss black with a high-sheen finish
front: 225/40 tyres; rear: 255/35 tyres

S	-
SE	-
Sport Edition	-
AMG Line	-
AMG Line Night Edition Premium/Plus	-
Mercedes-AMG C 43 4MATIC Edition	-
Mercedes-AMG C 43 4MATIC Edition Premium/Plus	●
Mercedes-AMG C 63 S/PremiumPlus	-
Total RRP incl. VAT (£)	-
excl. VAT (£)	-



View offers > Saloon
> Estate



Book a test drive > Saloon
> Estate
> AMG



> Find a Retailer



> View the Range Guide



RSW 19"/20" AMG alloy wheels – 5-twin-spoke design, aerodynamically optimised, painted tantalite grey with a high-sheen finish
front: 245/35 tyres; rear: 265/35 tyres
With red brake calipers

S	-
SE	-
Sport Edition	-
AMG Line	-
AMG Line Night Edition Premium/Plus	-
Mercedes-AMG C 43 4MATIC Edition	-
Mercedes-AMG C 43 4MATIC Edition Premium/Plus	-
Mercedes-AMG C 63 S/PremiumPlus	●
Total RRP incl. VAT (£)	-
excl. VAT (£)	-



770 19" AMG alloy wheels (4) – forged cross-spoke design, painted titanium grey with a high-sheen finish
front: 245/40 tyres; rear: 265/35 tyres
With red brake calipers on Mercedes-AMG C 63 S only

S	-
SE	-
Sport Edition	-
AMG Line	-
AMG Line Night Edition Premium/Plus	-
Mercedes-AMG C 43 4MATIC Edition	-
Mercedes-AMG C 43 4MATIC Edition Premium/Plus	-
Mercedes-AMG C 63 S/PremiumPlus	○
Total RRP incl. VAT (£)	£1,360.00
excl. VAT (£)	£1,333.33



662 19" AMG alloy wheels (4) – forged cross-spoke design, painted matt black
front: 245/35 tyres; rear: 265/35 tyres
With red brake calipers on Mercedes-AMG C 63 S only

S	-
SE	-
Sport Edition	-
AMG Line	-
AMG Line Night Edition Premium/Plus	-
Mercedes-AMG C 43 4MATIC Edition	-
Mercedes-AMG C 43 4MATIC Edition Premium/Plus	-
Mercedes-AMG C 63 S/PremiumPlus	○
Total RRP incl. VAT (£)	£1,735.00
excl. VAT (£)	£1,445.83



Standard equipment

Item	S	SE	Sport Edition	AMG Line Edition	AMG Line Night Ed. Premium	AMG Line Night Ed. Premium Plus
Engine, Transmission and Suspension						
9G-TRONIC PLUS 9-speed automatic transmission (optional for C 180 and C 200 d SE)	-	●	●	●	●	●
AGILITY CONTROL comfort suspension	●	●	-	-	-	-
AGILITY CONTROL comfort suspension – lowered by 15 mm	-	-	●	-	-	-
AGILITY CONTROL sports suspension – lowered by 15 mm	-	-	-	●	●	●
Driving modes – DYNAMIC SELECT with a choice of driving modes (Comfort, ECO, Sport, Sport+, Individual)	●	●	●	●	●	●
Exterior						
Mirror package – electrically-folding mirrors and automatically dimming- exterior driver’s mirror and rear-view mirror	-	●	●	●	●	●
Night package – radiator grille louvre painted in high gloss black, AMG front apron trim in high gloss black, rear bumper trim in high gloss black, high gloss black trim strip in sill panels, Beltline trim strip and window weatherstrip in high-gloss black, exterior mirror housings in high-gloss black, heat insulated dark-tinted glass in rear, roof rails in black (Estate only)	-	-	-	-	●	●
360° camera	-	-	-	-	-	●
AMG bodystyling – front apron, rear apron, and side skirts	-	-	-	●	●	●

Item	S	SE	Sport Edition	AMG Line Edition	AMG Line Night Ed. Premium	AMG Line Night Ed. Premium Plus
Brake calipers – with ‘Mercedes-Benz’ lettering and perforated front brake discs	-	-	-	●	-	-
EASY PACK automatic powered tailgate (Estate only)	●	●	●	●	●	●
Exterior mirrors – heated and electronically adjustable	●	●	●	●	●	●
Fuel tank – 66 litres	●	●	●	●	●	●
Headlamps – halogen with integral LED daytime running lamps	●	●	-	-	-	-
Headlamps – MULTIBEAM LED	-	-	●	●	●	●
Radiator grille – diamond grille with integrated star and chrome pins	-	-	-	●	●	●
Radiator grille – integrated star and two louvres in matt iridium silver	●	●	-	-	-	-
Radiator grille – integrated star and two louvres in matt iridium silver with chrome trim	-	-	●	-	-	-
Rain-sensing windscreen wipers	●	●	●	●	●	●
Reversing camera	-	●	●	●	●	●
Roof rails – black (Estate only)	●	●	-	-	-	-
Roof rails – chrome (Estate only)	-	-	●	●	●	●
Spoiler lip on the boot lid in black (Saloon only)	-	-	-	-	●	●



View offers > Saloon
> Estate



Book a test drive > Saloon
> Estate
> AMG



> Find a Retailer



> View the Range Guide

Item	S	SE	Sport Edition	AMG Line Edition	AMG Line Night Ed. Premium	AMG Line Night Ed. Premium Plus
Interior						
Tail lamps – full LED	-	-	●	●	●	●
Tail lamps – partial LED	●	●	-	-	-	-
Tinted glass all round – green	●	●	●	●	●	●
Top surround of side windows in matt black	●	●	-	-	-	-
Top surround of side windows in polished aluminium	-	-	●	●	●	●
Visible twin-pipe exhaust trim integrated into rear bumper	-	-	-	●	●	●
Interior Lighting package – lighting of footwells, door handle recesses, as well as rear reading lights (LED) and courtesy lights in all doors	●	●	●	●	●	●
KEYLESS-GO Comfort package	-	-	-	-	-	●
Memory package – driver’s seat, front passenger seat, steering column and exterior mirrors; electrically adjustable with memory	-	-	-	-	●	●
Seat Comfort package – driver and front passenger seat, electro-pneumatic four-way lumbar support, manual seat cushion depth adjustment (6 cm)	●	●	●	●	●	●
Stowage package – including luggage net in boot and folding box under luggage compartment floor	●	●	●	●	●	●
12.3" digital instrument display	-	-	-	●	●	●
Ambient lighting – 64-colour ambient lighting: dynamic multicolour LED lighting of trim on dashboard, centre console, and front and rear door panelling; in front and rear door pockets, cup holder and stowage compartment, rear footwell and rear door handle recesses	-	-	-	-	●	●

Item	S	SE	Sport Edition	AMG Line Edition	AMG Line Night Ed. Premium	AMG Line Night Ed. Premium Plus
Standard equipment						
Automatically-dimming rear view mirror and driver’s exterior mirror	●	●	●	●	●	●
Electric windows (4) – one-touch opening and closing, including obstruction sensors	●	●	●	●	●	●
Electronic key – chrome surround	●	●	●	●	●	●
Floor mats – black	●	●	●	-	-	-
Floor mats – black with ‘AMG’ lettering	-	-	-	●	●	●
Front door sill panels with ‘Mercedes-Benz’ lettering	●	●	●	●	●	●
Gearshift paddle on steering wheel (automatic transmission only)	●	●	●	●	●	●
Gear lever and gear lever gaiter in nappa leather (manual transmission only)	-	-	●	●	●	●
Gear lever with insert in high-gloss black and gear lever gaiter in ARTICO man-made leather (manual transmission only)	●	●	-	-	-	-
Instrument cluster with two tube-design round dials and 5.5-inch TFT multifunction display	●	●	●	-	-	-
Load compartment cover (Estate only)	●	●	●	●	●	●
Outside temperature display	●	●	●	●	●	●
Seats – AMG sports seats	-	-	-	●	●	●
Seats – front, heated	-	●	●	●	●	●
Seats – front, with electrical height and back, and four-way lumbar adjustment	●	●	●	●	●	●
Seats – rear, split folding 40:20:40	●	●	●	●	●	●



View offers > Saloon
> Estate



Book a test drive > Saloon
> Estate
> AMG



> Find a Retailer



> View the Range Guide

Item	S	SE	Sport Edition	AMG Line Edition	AMG Line Night Ed. Premium	AMG Line Night Ed. Premium Plus
Interior (continued)						
Seat belts – black	●	●	●	●	●	●
Sports pedals in brushed stainless steel with rubber studs	-	-	-	●	●	●
Steering wheel – 3-spoke multifunction steering wheel, trimmed in leather with perforated leather in grip area	●	●	-	-	-	-
Steering wheel – 3-spoke multifunction steering wheel in leather with trim in silver chrome and perforated leather in grip area	-	-	●	-	-	-
Steering wheel – 3-spoke multifunction AMG steering wheel in black nappa leather with flattened bottom section, chrome inserts and perforated leather in grip area	-	-	-	●	●	●
Steering wheel – multifunction with audio and onboard settings control	●	●	●	●	●	●
Stowage – double cupholder in centre console	●	●	●	●	●	●
Stowage – front centre armrest with stowage compartment	●	●	●	●	●	●
Stowage – illuminated glove compartment	●	●	●	●	●	●
Sun visors with illuminated vanity mirrors	-	-	●	●	●	●
THERMATIC – automatic climate control, two-zone	●	●	●	●	●	●

Item	S	SE	Sport Edition	AMG Line Edition	AMG Line Night Ed. Premium	AMG Line Night Ed. Premium Plus
Steering						
Steering column – manually adjustable for height and reach	●	●	●	●	●	●
Steering – Direct-Steer speed sensitive steering	●	●	●	-	-	-
Steering – Sports Direct-Steer system with speed sensitive steering	-	-	-	●	●	●
Paint, Trim and Upholstery						
Paint – non-metallic	●	●	●	●	●	●
Trim – ARTICO man-made leather dashboard with contrast stitching	-	-	-	-	●	●
Trim – open-pore black ash	-	-	-	-	●	●
Trim – open-pore grey oak	-	-	-	●	-	-
Trim – high-gloss black	●	●	-	-	-	-
Trim – high-gloss black with aluminium door trims	-	-	●	-	-	-
Upholstery – ARTICO man-made leather	●	●	-	-	-	-
Upholstery – leather	-	-	●	●	●	●



View offers > Saloon
> Estate



Book a test drive > Saloon
> Estate
> AMG



> Find a Retailer



> View the Range Guide

Item	S	SE	Sport Edition	AMG Line Edition	AMG Line Night Ed. Premium	AMG Line Night Ed. Premium Plus
Safety and Assistance Systems						
Active bonnet – pedestrian safety measure which detects an impact and raises bonnet	●	●	●	●	●	●
Active Parking Assist including PARKTRONIC – the system automatically steers the vehicle into parking spaces. Bay and parallel parking capable	–	●	●	●	●	●
Adaptive Brake Assist with HOLD function and brake-drying function	●	●	●	●	●	●
Adaptive brake lamps	●	●	●	●	●	●
Alarm system with immobiliser and interior protection	●	●	●	●	●	●
Anti-lock braking system (ABS)	●	●	●	●	●	●
ATTENTION ASSIST – can help alert to long journey fatigue	●	●	●	●	●	●
Automatic child seat recognition sensor	●	●	●	●	●	●
Central locking with interior switch, automatic locking and crash sensor with emergency opening function	●	●	●	●	●	●
Childproof locks – manually-operated for rear doors and electrically-operated for rear power windows	●	●	●	●	●	●
COLLISION PREVENTION ASSIST PLUS	●	●	●	●	●	●
Diesel particulate filter (DPF) – all diesel engines	●	●	●	●	●	●

Standard equipment

63

Item	S	SE	Sport Edition	AMG Line Edition	AMG Line Night Ed. Premium	AMG Line Night Ed. Premium Plus
Dual-stage airbags – driver and front passenger; sidebags in front seats; driver kneebag; pelvis bag and windowbags for driver, front passenger and rear passengers	●	●	●	●	●	●
Electric parking brake	●	●	●	●	●	●
Electronic Stability Programme (ESP®)	●	●	●	●	●	●
First-aid kit and warning triangle	●	●	●	●	●	●
ISOFIX child seat attachment points with top tether in rear	●	●	●	●	●	●
Petrol particulate filter (PPF) – all petrol engines	●	●	●	●	●	●
Remote boot release	●	●	●	●	●	●
Service indicator ASSYST	●	●	●	●	●	●
Status display in instrument cluster for rear seat belts	●	●	●	●	●	●
SPEEDTRONIC cruise control with variable speed limiter	●	●	●	●	●	●
TIREFIT with tyre inflation compressor	●	●	●	●	●	●
Tyre pressure monitoring system	●	●	●	●	●	●

● Standard – Not available

¹COMAND Online functionality and Wi-Fi connectivity is dependent on a compatible cellular data connection. Please check with your local Mercedes-Benz Retailer on network compatibility



View offers > Saloon
> Estate



Book a test drive > Saloon
> Estate
> AMG



> Find a Retailer



> View the Range Guide

Item	S	SE	Sport Edition	AMG Line Edition	AMG Line Night Ed. Premium	AMG Line Night Ed. Premium Plus
Communication and In-Car Entertainment						
Audio 20 with integrated Media Interface and Bluetooth® interface with hands-free function	●	●	●	●	-	-
Burmester® sound system - 13 high performance speakers, 9 channel DSP amplifier with output of 590W, Frontbass technology and virtual surround sound	-	-	-	-	-	●
COMAND Online system with touchpad¹ - online functions, navigation: hard disk navigation with high-quality topographic map display including 3D places of interest and city models. Latest map data thanks to 3 years of free map updates (from date of initial registration, vehicle-specific). Display of satellite maps (requires a Bluetooth®-connected mobile phone). Car-to-X communication. Three years Live Traffic Information service for optimised dynamic route guidance and more precisely-estimated time of arrival (country-specific). LINGUATRONIC voice control system, two USB ports and one SD card slot in the centre console	-	-	-	-	●	●
DAB digital radio tuner	●	●	●	●	●	●
High-resolution 7-inch multimedia colour display	●	-	-	-	-	-
High-resolution 10.25-inch multimedia colour display	-	●	●	●	●	●
MB SD card-based navigation system - operation via controller or voice control. SD card navigation with instructions shown on 10.25-inch high-resolution colour display and in the instrument cluster. Includes 3D views with visualisation of roads and buildings as well as junction and lane assistants, making it easy for drivers to orientate themselves. Spoken instructions are emitted through vehicle's built-in speakers. Live software updates via 4G SIM	-	●	-	-	-	-

● Standard - Not available

Standard equipment

64

Item	S	SE	Sport Edition	AMG Line Edition	AMG Line Night Ed. Premium	AMG Line Night Ed. Premium Plus
Mercedes me connect (Vehicle Set-up and Vehicle Monitoring) - onboard use of remote and location services, e.g. geographic vehicle monitoring, vehicle location, remote door locking and unlocking, remote interrogation of vehicle status. Remote Online subscription services are limited to three years from initial registration, and can be extended at additional cost	●	●	●	●	●	●
Mercedes-Benz sound system - four mid-range speakers, two tweeters, two Frontbass speakers, one centre speaker, 225W amplifier output	-	-	-	-	●	-
Radio aerial integrated into rear window	●	●	●	●	●	●
Smartphone integration	-	-	-	-	●	●
Speakers with Frontbass	●	●	●	●	●	●
Two USB ports and an SD card slot in centre console	●	●	●	●	●	●
Wireless charging surface integrated into quick stowage tray in front of centre console. Quick establishment of connection between multimedia system and mobile phone via Near Field Communication (NFC)	-	-	-	-	●	●



AMG standard equipment

Item	C43 4MATIC Edition	C43 4MATIC Edition Premium	C43 4MATIC Edition Premium Plus	C63 S	C63 S Premium Plus
Engine, Transmission and Suspension					
AMG Driver's package – includes an increase to your vehicle's electronically limited top speed (174 mph)	-	-	-	●	●
9G-TRONIC PLUS 9-speed automatic transmission	●	●	●	-	-
AMG electronic rear axle differential lock	-	-	-	●	●
AMG RIDE CONTROL sports suspension	●	●	●	●	●
AMG SPEEDSHIFT MCT 9-speed automatic sports transmission, steering wheel gearshift paddles, SPEEDTRONIC cruise control and RACE START function	-	-	-	●	●
Driving modes – AMG DYNAMIC SELECT with a choice of AMG-specific driving modes (Comfort, Sport, Sport+, Individual and Race modes for the Mercedes-AMG C 63 S)	-	-	-	●	●
Driving modes – DYNAMIC SELECT with a choice of driving modes (Comfort, ECO, Sport, Sport+, Individual)	●	●	●	-	-
Exterior					
Mirror package – electrically-folding mirrors and automatically dimming-exterior driver's mirror and rear-view mirror	●	●	●	●	●
360° camera	-	-	-	●	●
AMG bodystyling – front apron, rear apron, and side skirts	●	●	●	-	-
AMG bonnet with powerdomes	-	-	-	●	●
AMG boot lid spoiler in body colour	●	●	●	●	●

Item	C43 4MATIC Edition	C43 4MATIC Edition Premium	C43 4MATIC Edition Premium Plus	C63 S	C63 S Premium Plus
AMG front apron with A-wing in high-gloss black	-	-	-	●	●
AMG Performance exhaust system	●	●	●	●	●
AMG rear apron with four diffuser fins with diffuser board plus trim strip painted matt iridium silver	-	-	-	●	●
AMG side sill panels with silver chrome inserts	-	-	-	●	●
'BITURBO 4MATIC' lettering on front wings	●	●	●	-	-
Brake calipers – with 'AMG' lettering and perforated front brake discs	●	●	●	-	-
Brake calipers – red with 'AMG' lettering	-	-	-	●	●
EASY PACK automatic powered tailgate (Estate only)	●	●	●	●	●
Exterior mirrors – heated and electronically adjustable	●	●	●	●	●
Flared AMG wings with 'V8 BITURBO' lettering in the front	-	-	-	●	●
Fuel tank – 66-litre	●	●	●	●	●
MULTIBEAM LED	●	●	●	●	●
Panoramic electric glass sunroof	-	-	●	-	●
Petrol Particulate Filter (PPF) - all petrol engines	●	●	●	●	●
Radiator grille – AMG design with double louvre in matt iridium silver and 'AMG' lettering	●	●	●	-	-
Radiator grille – AMG-specific radiator grille in high-sheen chrome with 'AMG' lettering	-	-	-	●	●



AMG standard equipment

Item	C43 4MATIC Edition	C43 4MATIC Edition Premium	C43 4MATIC Edition Premium Plus	C63 S	C63 S Premium Plus
Exterior (continued)					
Rain-sensing windscreen wipers	●	●	●	●	●
Reversing camera	●	●	●	●	●
Roof rails – chrome (Estate only)	●	●	●	●	●
Spoiler lip on the boot lid in the vehicle colour (Saloon only)	-	-	-	●	●
Sports exhaust system	●	●	●	-	-
Tail lamps – full LED	●	●	●	●	●
Tinted glass all round – green	●	●	●	●	●
Top surround of side windows in matt black	●	●	●	-	-
Top surround of side windows in polished aluminium	-	-	-	●	●
Two tailpipe trim elements in twin-tailpipe design integrated into rear bumper	●	●	●	-	-
Interior					
Interior Lighting package – lighting of footwells, door handle recesses, as well as rear reading lights (LED) and courtesy lights in all doors	●	●	●	●	●
KEYLESS-GO Comfort package	-	-	●	-	●
Memory package – driver’s seat, front passenger seat, steering column and exterior mirrors – electrically adjustable with memory	-	●	●	●	●
Stowage package – including luggage net in boot and folding box under luggage compartment floor	●	●	●	●	●

Item	C43 4MATIC Edition	C43 4MATIC Edition Premium	C43 4MATIC Edition Premium Plus	C63 S	C63 S Premium Plus
12.3" digital instrument display (with AMG-specific selectable display “Supersport” for C 63 S)	●	●	●	●	●
Ambient lighting – 64-colour ambient lighting – dynamic multicolour LED lighting of trim on dashboard, centre console, and front and rear door panelling; in front and rear door pockets, cup holder and stowage compartment, rear footwell and rear door handle recesses	-	●	●	●	●
Automatically dimming rear view mirror and driver’s exterior mirror	●	●	●	●	●
“AMG” emblem in the front head restraints	-	-	-	●	●
AMG Performance steering wheel in nappa leather /DINAMICA microfibre - sporty 3-spoke design with flattened lower section, 12 o'clock marking in black, silver-coloured aluminium shift paddles allow manual gearshifts, touch-control buttons	-	-	-	●	●
Electronic key – chrome surround	●	●	●	●	●
Electric windows (4) – one-touch opening and closing, including obstruction sensors	●	●	●	●	●
Floor mats – black with ‘AMG’ lettering	-	-	-	●	●
Floor mats – black with ‘AMG’ lettering and red piping	●	●	●	-	-
Front door sill panels with ‘AMG’ lettering	●	●	●	●	●
Gearshift paddle on steering wheel (automatic transmission only)	●	●	●	●	●
Load compartment cover (Estate only)	●	●	●	●	●
Outside temperature display	●	●	●	●	●



View offers > Saloon
> Estate



Book a test drive > Saloon
> Estate
> AMG



> Find a Retailer



> View the Range Guide

AMG standard equipment

Item

Interior (continued)

	C43 4MATIC Edition	C43 4MATIC Edition Premium	C43 4MATIC Edition Premium Plus	C63 S	C63 S Premium Plus
Seat belts – black	○	○	○	-	-
Seat belts – red	●	●	●	-	-
Seat belts – crystal grey	-	-	-	●	●
Seats – AMG Performance seats	○	○	○	●	●
Seats – front, heated	●	●	●	●	●
Seats – front, with electrical height and back, and four-way lumbar adjustment	●	●	●	-	-
Seats – rear, split folding 40:20:40	●	●	●	●	●
Seats – Sports seats with optimised lateral support	●	●	●	-	-
Sports pedals in brushed stainless steel with rubber studs	●	●	●	●	●
Steering wheel – multifunction sports steering wheel in black nappa leather, with flattened bottom section, heavily embossed in central grip area, with steering wheel trim in silver chrome with contrasting topstitching in red	●	●	●	-	-
Steering wheel – multifunction with audio and onboard settings control	●	●	●	●	●
Stowage – double cupholder in centre console	●	●	●	●	●
Stowage – front centre armrest with stowage compartment	●	●	●	●	●
Stowage – illuminated glove compartment	●	●	●	●	●
Sun visors with illuminated vanity mirrors	●	●	●	●	●
THERMATIC – automatic climate control, two-zone	●	●	●	●	●

Item

Steering

	C43 4MATIC Edition	C43 4MATIC Edition Premium	C43 4MATIC Edition Premium Plus	C63 S	C63 S Premium Plus
Steering – AMG 2 stage speed-sensitive sports steering	●	●	●	-	-
Steering – AMG 3 stage speed-sensitive sports steering	-	-	-	●	●
Steering column – manually adjustable for height and reach	●	●	●	-	-

Paint, Trim and Upholstery

	C43 4MATIC Edition	C43 4MATIC Edition Premium	C43 4MATIC Edition Premium Plus	C63 S	C63 S Premium Plus
Paint – non-metallic	●	●	●	●	●
Trim – black ash wood	●	●	●	-	-
Trim – open pore grey oak	-	-	-	●	●
Upholstery – AMG black nappa leather	-	-	-	●	●
Upholstery – dashboard in ARTICO man-made leather with contrast stitching	-	-	-	●	●
Upholstery – dashboard in ARTICO man-made leather with red contrast stitching	●	●	●	-	-
Upholstery – leather	●	●	●	-	-



AMG standard equipment

Item

Safety and Assistance Systems

	C43 4MATIC Edition	C43 4MATIC Edition Premium	C43 4MATIC Edition Premium Plus	C63 S	C63 S Premium Plus
Active bonnet – pedestrian safety measure which detects an impact and raises bonnet	●	●	●	●	●
Active Parking Assist including PARKTRONIC – the system automatically steers the vehicle into parking spaces. Bay and parallel parking capable	●	●	●	●	●
Adaptive Brake Assist with HOLD function and brake-drying function	●	●	●	●	●
Adaptive brake lamps	●	●	●	●	●
Alarm system with immobiliser and interior protection	●	●	●	●	●
AMG high-performance braking system	–	–	–	●	●
Anti-lock braking system (ABS)	●	●	●	●	●
ATTENTION ASSIST – can help alert to long journey fatigue	●	●	●	●	●
Automatic child seat recognition sensor	●	●	●	●	●
Central locking with interior switch, automatic locking and crash sensor with emergency opening function	●	●	●	●	●
Childproof locks – manually operated for rear doors and electrically operated for rear power windows	●	●	●	●	●

Item

	C43 4MATIC Edition	C43 4MATIC Edition Premium	C43 4MATIC Edition Premium Plus	C63 S	C63 S Premium Plus
COLLISION PREVENTION ASSIST PLUS	●	●	●	●	●
Dual-stage airbags – driver and front passenger; sidebags in front seats; driver kneebag; pelvis bag and windowbags for driver, front passenger and rear passengers	●	●	●	●	●
Electric parking brake	●	●	●	●	●
Electronic Stability Programme (ESP®)	●	●	●	●	●
First-aid kit and warning triangle	●	●	●	●	●
ISOFIX child seat attachment points with top tether in rear	●	●	●	●	●
Remote boot release	●	●	●	●	●
Service indicator ASSYST	●	●	●	●	●
Status display in instrument cluster for rear seat belts	●	●	●	●	●
SPEEDTRONIC cruise control with variable speed limiter	●	●	●	●	●
TIREFIT with tyre inflation compressor	–	–	–	●	●
Tyre pressure monitoring system	●	●	●	●	●

● Standard – Not available

¹COMAND Online functionality and Wi-Fi connectivity is dependent on a compatible cellular data connection. Please check with your local Mercedes-Benz Retailer on network compatibility



View offers > Saloon
> Estate



Book a test drive > Saloon
> Estate
> AMG



> Find a Retailer



> View the Range Guide

AMG standard equipment

69

Item	C43 4MATIC Edition	C43 4MATIC Edition Premium	C43 4MATIC Edition Premium Plus	C63 S	C63 S Premium Plus
Communication and In-Car Entertainment					
AMG Track Pace	-	-	-	●	●
Audio 20 with integrated Media Interface and Bluetooth® interface with hands-free function	●	-	-	-	-
Burmester® sound system – 13 high performance speakers, 9 channel DSP amplifier with an output of 590 W, Frontbass technology and virtual surround sound	-	-	●	-	●
COMAND Online system with touchpad¹ – digital TV reception, online functions, navigation: hard disk navigation with high-quality topographic map display including 3D places of interest and city models. Latest map data thanks to 3 years of free map updates (from date of initial registration, vehicle-specific). Display of satellite maps (requires a Bluetooth®-connected mobile phone). Car-to-X communication. Use of the Live Traffic Information service for optimised dynamic route guidance and more precisely-estimated time of arrival (country-specific). LINGUATRONIC voice control system, two USB ports and one SD card slot in the centre console	-	●	●	●	●
DAB digital radio tuner	●	●	●	●	●

Item	C43 4MATIC Edition	C43 4MATIC Edition Premium	C43 4MATIC Edition Premium Plus	C63 S	C63 S Premium Plus
High-resolution 10.25-inch multimedia colour display	●	●	●	●	●
Mercedes me connect (Vehicle Set-up and Vehicle Monitoring) - onboard use of remote and location services, e.g. geographic vehicle monitoring, vehicle location, remote door locking and unlocking, remote interrogation of vehicle status. Remote Online subscription services are limited to three years from initial registration, and can be extended at additional cost	●	●	●	●	●
Midline sound system – four mid-range speakers, two tweeters, two Frontbass speakers, one centre speaker, 225 W amplifier output	-	●	-	●	●
Radio aerial integrated into rear window	●	●	●	●	●
Smartphone integration	-	●	●	●	●
Speakers with Frontbass	●	●	●	●	●
Two USB ports and an SD card slot in centre console	●	●	●	●	●
Wireless charging surface integrated into quick stowage tray in front of centre console. Quick establishment of connection between multimedia system and mobile phone via Near Field Communication (NFC)	-	●	●	●	●

● Standard - Not available



View offers > Saloon
> Estate



Book a test drive > Saloon
> Estate
> AMG



> Find a Retailer



> View the Range Guide

Optional equipment

Item	Notes		S	SE	Sport Edition	AMG Line Edition	AMG Line Night Ed. Premium	AMG Line Night Ed. Premium Plus	C43 4MATIC Edition	C43 4MATIC Ed. Premium	C43 4MATIC Ed. Premium Plus	AMG C63 S	AMG C63 S Premium	Basic RRP excl. VAT (£)	Total RRP incl. VAT (£)
AMG Performance Studio															
AMG Exterior Carbon Fibre package 1 AMG carbon fibre spoiler lip Carbon fibre insert in rear apron Front apron in carbon fibre Side panels with carbon fibre inserts		773	-	-	-	-	-	-	-	-	-	○	○	2,808.33	3,370.00
AMG Exterior Carbon Fibre package 2 AMG carbon fibre exterior mirror housing AMG carbon fibre spoiler lip		B28	-	-	-	-	-	-	-	-	-	○	○	1,050.00	1,260.00
AMG Night package AMG exhaust system with two black chrome-plated twin tailpipe trim elements AMG side sill panel inserts in high-gloss black Beltline trim strip and window surround in high-gloss black Exterior mirror housings in high-gloss black Front apron in high-gloss black Privacy glass Rear apron trim strip in high-gloss black (Mercedes-AMG C 63 S only)		P60	-	-	-	-	-	-	●	●	●	○	○	487.50	585.00
AMG high-performance ceramic composite braking system		B07	-	-	-	-	-	-	-	-	-	-	○	3,570.83	4,285.00

● Standard ○ Optional - Not available



Item	Notes	S	SE	Sport Edition	AMG Line Edition	AMG Line Night Ed. Premium	AMG Line Night Ed. Premium Plus	C43 4MATIC Edition	C43 4MATIC Ed. Premium	C43 4MATIC Ed. Premium Plus	AMG C63 S	AMG C63 S Premium	Basic RRP excl. VAT (£)	Total RRP incl. VAT (£)
AMG Performance Studio (continued)														
AMG Performance seats Cushion depth adjustment Pneumatically adjustable seat side bolsters Steep seat angle and optimum lateral support for dynamic driving	Mercedes-AMG C43 4MATIC: only available with standard interior (code 641A) or with leather upholstery (code 241A) in conjunction with Memory package (code 275)	555	-	-	-	-	-	○	○	○	○	●	1,170.83	1,405.00
Head-up display Projects key driver information, such as vehicle speed, navigation tips and speed limits, as a virtual colour image (21 × 7 cm) into the driver's field of vision. Special light sensors adjust the brightness of the head-up display to ensure good visibility without distraction. The display is easily height adjustable		463	-	-	-	-	-	○	○	○	○	○	687.50	825.00
Exterior														
Tow bar, manually folding – includes 13-pin socket When ordering, please discuss with your Retailer any specific electrical towing requirements	Excludes 7-pin adapter. Not available in combination with Premium Plus package on C300 de Estate	550	-	○	○	○	○	○	○	○	○	○	625.00	750.00
Interior														
Memory package Driver's seat, front passenger seat, steering column and exterior mirrors – electrically adjustable with memory	Only available with leather upholstery when ordered in conjunction with AMG Performance seats (code 555)	275	-	-	○	○	○	○	○	○	○	●	500.00	600.00



View offers > Saloon
> Estate



Book a test drive > Saloon
> Estate
> AMG



> Find a Retailer



> View the Range Guide

Optional equipment

72

Item	Notes		S	SE	Sport Edition	AMG Line Edition	AMG Line Night Ed. Premium	AMG Line Night Ed. Premium Plus	C43 4MATIC Edition	C43 4MATIC Ed. Premium	C43 4MATIC Ed. Premium Plus	AMG C63 S	AMG C63 S Premium	Basic RRP excl. VAT (£)	Total RRP incl. VAT (£)
Paint, Trim and Upholstery															
Trim – ARTICO man-made leather dashboard with contrast stitching		U09	-	-	-	○	○	○	●	●	●	●	●	333.34	400.00
Trim – carbon fibre with analogue clock		H73	-	-	-	-	-	-	○	○	○	○	○	583.33	700.00
Trim – dashboard and beltlines in ARTICO man-made leather with black nappa look		U34	-	-	-	-	-	-	-	-	○	○		600.00	720.00
Service Package															
ServiceCare ServiceCare allows you to spread the cost of servicing your new car in the Mercedes-Benz Retailer network. Taking out a ServiceCare plan ensures your servicing needs are taken care of by fully trained Mercedes-Benz Technicians with the added benefit of a Mercedes-Benz service history	Price is based on a monthly rate. Example given is for two services taken over 24 months; three services over 36 months; or four services over 48 months. Further payment options are available. New ServiceCare prices apply only to vehicles up to 12 months old prior to first service		○	○	○	○	○	○	○	○	○	-	-	26.67	32.00
			-	-	-	-	-	-	-	-	○	○			39.17

● Standard ○ Optional - Not available



View offers > Saloon
> Estate



Book a test drive > Saloon
> Estate
> AMG



> Find a Retailer



> View the Range Guide

Genuine Accessories

We've developed a range of Accessories you can add to help personalise and enhance your C-Class. Your local Mercedes-Benz Retailer can advise on fitting costs of Accessories, where applicable. Further information on our full range of Genuine Accessories can be found **here** on the Mercedes-Benz UK website.

01 | LED Mercedes star projector (A2138204503)

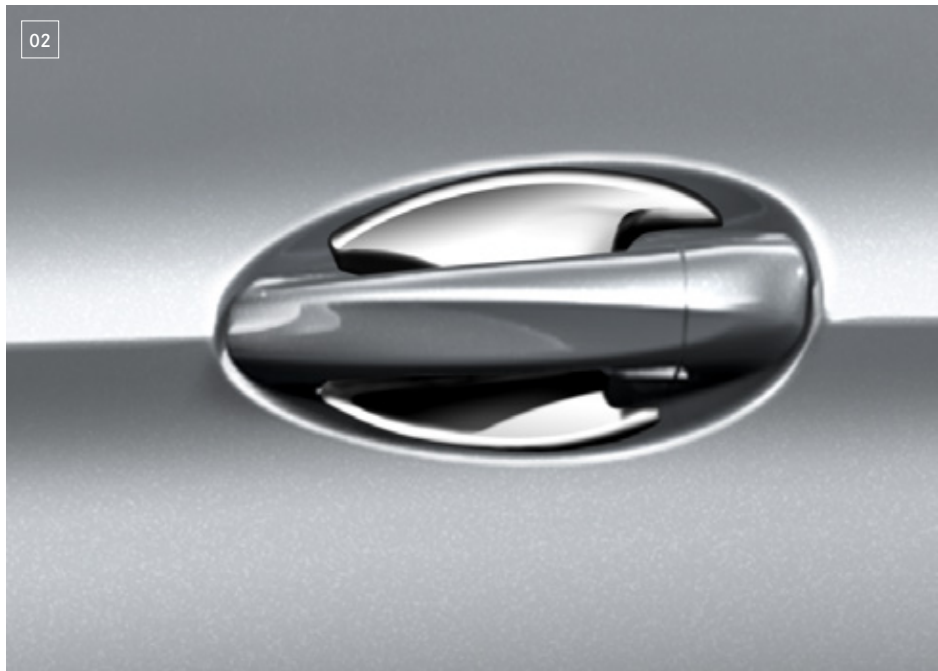
The legendary three-pointed star logo is discreetly projected onto the ground alongside your vehicle every time you open the front driver or passenger door. The star automatically disappears once the doors are closed.

RRP £120.00 (incl. VAT), excluding fitting

02 | Door handle recesses, two-piece (A2057604200)

High-sheen door handle recesses in chrome design. Protects the recess behind the door handle from scratches and offers a high-quality, individual look.

RRP £43.32 (incl. VAT), excluding fitting





View offers > Saloon
> Estate



Book a test drive > Saloon
> Estate
> AMG



> Find a Retailer



> View the Range Guide

03

04

Genuine Accessories

74



03 | Shallow boot tub

The boot tub is suitable for transporting shopping. The tub shape with its slightly raised edge is precision-tailored to the load area. Made from impact-resistant, non-slip polypropylene, its structured surface holds the separately available stowage crate in place. Deep boot tub also available.

Saloon, without through loading (A2058140700): **RRP £87.70 (incl. VAT)**

Saloon, with through loading (A2058140600): **RRP £88.50 (incl. VAT)**

Estate (A2058140300): **RRP £87.60 (incl. VAT)**

04 | Stowage crate (A0008140400)

A secure hold for items which are prone to tip over or slide around, e.g. shopping bags. Adjustable partitioning elements allow crate to be divided into max. four sections. Optimum functionality only in conjunction with shallow boot tub.

RRP £88.20 (incl. VAT)



View offers > Saloon
> Estate



Book a test drive > Saloon
> Estate
> AMG



> Find a Retailer



> View the Range Guide

05 | Concertina load sill protector (A2536932000)

Protects the rear of the car from scratches when you're loading the vehicle – and prevents dirt from the car from getting onto your clothes. Practical design – can be connected to shallow boot tub or reversible mat.

RRP £41.50 (incl. VAT)

06 | All-season floor mats

Robust, washable synthetic material, designed for heavy use. Latest design with recessed areas and raised edge. With distinctive Mercedes-Benz star logo.

Front (A20568022489G33): RRP £61.00 (incl. VAT)

Rear (A20568076089G33): RRP £34.92 (incl. VAT)





View offers > Saloon
> Estate



Book a test drive > Saloon
> Estate
> AMG



> Find a Retailer



> View the Range Guide

07



Genuine Accessories

76

07 | Head restraint modular system

Carefree travel with Mercedes-Benz Style & Travel Equipment. The head restraint elements are simple to fit and remove. The modular system centres around a base support which can be combined with a coat hanger, universal hook, folding table and tablet mount.

Base support (A0008103300): RRP £23.64 (incl. VAT)

Coat hanger (A0008103400): RRP £67.60 (incl. VAT)

Folding table (A0008160000): RRP £108.60 (incl. VAT)

Bag hook (A0008140000): RRP £28.00 (incl. VAT)



View offers > Saloon
> Estate



Book a test drive > Saloon
> Estate
> AMG



> Find a Retailer



> View the Range Guide

08 | Basic carrier bars

Aluminium carrier bars, precision-tailored to the body of your C-Class – the perfect basis for a range of Mercedes-Benz transport solutions: ski and snowboard rack, bicycle rack or roof boxes.

Saloon (A2058900093): RRP from £222.50 (incl. VAT)

Estate (A2058900193): RRP from £213.00 (incl. VAT)

09 | Mercedes-Benz roof boxes (part numbers vary)

An aerodynamic design, tailored to your Mercedes-Benz. In extremely durable material. Designed for quick, optimised attachment to the basic carrier bars. Particularly convenient loading and unloading thanks to the option of double-sided opening. Lockable from both sides. Available in various sizes.

RRP from £361.50 (incl. VAT)

08



09





Technical data – Saloon

		Diesel engines		
Model		C 220 d	C 300 d	C 300 de EQ Power
Engine				
Total displacement	cc	1,950	1,950	1,950
Arrangement/cylinders/valves		in-line/4/16	in-line/4/16	in-line/4/16
Fuel delivery		Common-rail diesel with twin turbochargers	Common-rail diesel with twin turbochargers	Common-rail diesel with twin turbochargers
Power ¹	hp (kW) at rpm			
Combustion engine		194 (143)/3,800	245 (180)/4,200	194 (143)/3,800
Electric motor		–	–	122 (90)/tba
System output		–	–	306 (225)/3,800
Torque ¹	Nm at rpm			
Combustion engine		400/1,600–2,800	500/1,600–2,400	400/1,600–2,800
Electric motor		–	–	440/tba
System output		–	–	700/3,800
Compression ratio		15.5:1	15.5:1	15.5:1
Equivalent All-Electric Range (EAER) ²	mi	–	–	29.2–34.2
Battery type/capacity	kWh	–	–	Lithium-ion/13.50
Power consumption, combined ²	Wh/km	–	–	246–204
AC charging time, 10–100% ³	h			
At a domestic socket		–	–	5.0
At a wallbox		–	–	1.5
Capacity on-board charger	kW	–	–	7.2

¹Figures according to Directive 80/1269/EEC in the currently applicable version

²The indicated values were determined according to the prescribed measurement method – Worldwide Harmonised Light Vehicle Test Procedure (WLTP). Figures shown may include options which are not available in the UK. For Plug-in Hybrid Electric Vehicle (PHEV) figures determined with the battery fully charged, using a combination of both battery power and fuel. These models require mains electricity for charging

³Specified voltage and current values refer to network infrastructure and can be limited by the vehicle. Times are from 10–100% charge using a wallbox (three-phase) or standard socket (single-phase)



View offers > Saloon
> Estate



Book a test drive > Saloon
> Estate
> AMG



Find a Retailer



View the Range Guide

		Diesel engines		
Model		C 220 d	C 300 d	C 300 de EQ Power
Transmission				
6-speed manual		-	-	-
9G-TRONIC PLUS 9-speed auto.		●	●	●
Tyre sizes				
Front		225/50 R 17	225/45 R 18	225/50 R 17
Rear		225/50 R 17	245/40 R 18	225/50 R 17
Performance				
		auto.	auto.	auto.
Acceleration 0-62 mph	s	6.9	5.9	5.6
Top speed	mph	149	155 ⁴	155 ⁴



		Diesel engines		
Model		C 220 d	C 300 d	C 300 de EQ Power
Weights and capacities		auto.	auto.	auto.
Kerb weight ⁵	kg	1,585	1,635	1,895
Perm. Gross Vehicle Weight	kg	2,165	2,215	2,425
Towing capacity – unbraked/braked	kg	750/1,800	750/1,800	750/1,800
Boot capacity – seats up	l	455	455	300
Fuel tank capacity/of which reserve	l	66/7	66/7	66/7
Turning circle	m	11.18	11.18	11.18
Fuel consumption^{6,7,8}		auto.	auto.	auto.
Combined (consumption dependent on chosen optional equipment)	l/100 km mpg	5.1–6.0 55.4–47.1	5.7–6.5 49.6–43.5	1.2–1.6 235.4–176.6

⁵Figures according to Directive 92/21/EC (kerb weight with fuel tank 90% full, driver, 68 kg, and luggage, 7 kg) for standard-specification vehicles. Optional extras and accessories will generally increase this figure and reduce the payload capacity accordingly

⁶All figures are based on a standard specification with the smallest tyre size ⁷The choice of wheels and transmission may affect CO₂ emissions and corresponding Road Fund Licence

⁸The indicated values were determined according to the prescribed measurement method – Worldwide Harmonised Light Vehicle Test Procedure (WLTP). Figures shown may include options which are not available in the UK.

Figures shown are for comparability purposes; only compare with other cars tested to the same technical procedures. Figures may not reflect real life driving results, which will depend upon a number of factors including factory-fitted options, accessories fitted (post registration), variations in weather, driving styles and vehicle load. Further information about the test used to establish fuel consumption and CO₂ figures can be found at <http://www.mercedes-benz.co.uk/WLTP>



View offers > Saloon
> Estate



Book a test drive > Saloon
> Estate
> AMG



Find a Retailer



View the Range Guide

Model	Diesel engines		
	C 220 d	C 300 d	C 300 de EQ Power
CO ₂ emissions ^{7,8,*} g/km	auto.	auto.	auto.
Emissions standard	EU6	EU6	EU6
17" 225/50 tyres	121	-	-
18" 225/45 tyres (Sport Edition)	121	-	38
18" 225/45 tyres (AMG Line Edition)	117	129	41
19" 255/35 tyres	126	142	41

Insurance group ratings

SE	tba	-	-
Sport Edition/AMG Line Edition	tba	tba	tba
Incl. Premium	tba	tba	tba
Incl. Premium Plus	tba	tba	tba

Insurance ratings may vary depending on model line and specification. Please refer to <http://www.thatcham.org/abigrouprating/> for further details

⁷The choice of wheels and transmission may affect CO₂ emissions and corresponding Road Fund Licence

⁸The indicated values were determined according to the prescribed measurement method – Worldwide Harmonised Light Vehicle Test Procedure (WLTP). Figures shown may include options which are not available in the UK.

*CO₂ figures have been converted into NEDC-equivalent values for use with the current VED and BIK tax legislation.

Figures shown are for comparability purposes; only compare with other cars tested to the same technical procedures. Figures may not reflect real life driving results, which will depend upon a number of factors including factory-fitted options, accessories fitted (post registration), variations in weather, driving styles and vehicle load. Further information about the test used to establish fuel consumption and CO₂ figures can be found at <http://www.mercedes-benz.co.uk/WLTP>



View offers > Saloon
> Estate



Book a test drive > Saloon
> Estate
> AMG



Find a Retailer



View the Range Guide

		Petrol engines				
Model		C 180	C 200	C 300	Mercedes-AMG C 43 4MATIC Edition	Mercedes-AMG C 63 S
Engine						
Total displacement	cc	1,595	1,497	1,991	2,996	3,982
Arrangement/cylinders/valves		in-line/4/16	in-line/4/16	in-line/4/16	V/6/24	V/8/32
Fuel delivery		Electronically controlled direct injection with turbocharger	Electronically controlled direct injection with turbocharger	Electronically controlled direct injection with turbocharger	Electronically controlled direct injection with twin turbochargers	Electronically controlled direct injection with twin turbochargers
Power ¹	hp (kW) at rpm					
Combustion engine		156 (115)/5,300	184 (135)/5,800–6,100	258 (190)/5,800–6,100	390 (287)/6,100	510 (375)/5,500–6,250
EQ Boost		–	10 kW	–	–	–
Torque ¹	Nm at rpm					
Combustion engine		250/1,200–4,000	280/3,000–4,000	370/1,800–4,000	520/2,500–5,000	700/2,000–4,500
Compression ratio		10.3:1	11.0:1	10.5:1	10.5:1	10.5:1

¹Figures according to Directive 80/1269/EEC in the currently applicable version



View offers > Saloon
> Estate



Book a test drive > Saloon
> Estate
> AMG



> Find a Retailer



> View the Range Guide

		Petrol engines				
Model		C 180	C 200	C 300	Mercedes-AMG C 43 4MATIC Edition	Mercedes-AMG C 63 S
Transmission						
6-speed manual		●	-	-	-	-
9G-TRONIC PLUS 9-speed auto.		○	●	●	●	-
AMG SPEEDSHIFT MCT 9-speed auto.		-	-	-	-	●
Tyre sizes						
Front		225/50 R 17	225/50 R 17	225/45 R 18	225/40 R 19	245/35 R 19
Rear		225/50 R 17	225/50 R 17	245/40 R 18	255/35 R 19	265/35 R 19
Performance						
		man.	auto.	auto.	auto.	auto.
Acceleration 0-62 mph	s	8.2	8.6	7.7	5.9	4.7
Top speed	mph	140	139	149	155 ²	155 ²



View offers > Saloon
> Estate



Book a test drive > Saloon
> Estate
> AMG



Find a Retailer



View the Range Guide

Petrol engines						
Model		C 180	C 200	C 300	Mercedes-AMG C 43 4MATIC Edition	Mercedes-AMG C 63 S
Weights and capacities						
		man.	auto.	auto.	auto.	auto.
Kerb weight ³	kg	1,440	1,475	1,505	1,555	1,705
Perm. Gross Vehicle Weight	kg	2,020	2,055	2,085	2,135	2,225
Towing capacity – unbraked/braked	kg	720/1,400	710/1,800	710/1,800	750/1,800	750/1,800
Boot capacity – seats up	l	455	455	435	455	tba
Fuel tank capacity/of which reserve	l	66/7	66/7	66/7	66/7	66/7
Turning circle	m	11.18	11.18	11.18	11.18	12.10
Fuel consumption^{4,5,6}						
		man.	auto.	auto.	auto.	auto.
Combined (consumption dependent on chosen optional equipment)	l/100 km mpg	6.5–7.5 43.5–37.7	6.6–7.7 42.8–35.6	6.4–7.9 44.1–35.8	7.0–7.9 40.4–35.8	9.6–10.1 29.4–28.0
						10.9–11.2 25.9–25.2

³Figures according to Directive 92/21/EC (kerb weight with fuel tank 90% full, driver, 68 kg, and luggage, 7 kg) for standard-specification vehicles. Optional extras and accessories will generally increase this figure and reduce the payload capacity accordingly

⁴All figures are based on a standard specification with the smallest tyre size ⁵The choice of wheels and transmission may affect CO₂ emissions and corresponding Road Fund Licence

⁶The indicated values were determined according to the prescribed measurement method – Worldwide Harmonised Light Vehicle Test Procedure (WLTP). Figures shown may include options which are not available in the UK.

Figures shown are for comparability purposes; only compare with other cars tested to the same technical procedures. Figures may not reflect real life driving results, which will depend upon a number of factors including factory-fitted options, accessories fitted (post registration), variations in weather, driving styles and vehicle load. Further information about the test used to establish fuel consumption and CO₂ figures can be found at <http://www.mercedes-benz.co.uk/WLTP>



View offers > Saloon
> Estate



Book a test drive > Saloon
> Estate
> AMG



> Find a Retailer



> View the Range Guide

Model	Petrol engines				
	C 180	C 200	C 300	Mercedes-AMG C 43 4MATIC Edition	Mercedes-AMG C 63 S

CO ₂ emissions ^{5,6,*}	g /km	man.		auto.		auto.	
		EU6	EU6	EU6	EU6	EU6	EU6
Emissions standard		EU6	EU6	EU6	EU6	EU6	EU6
16" 205/60 tyres	134	-	-	-	-	-	-
17" 225/50 tyres	138	143	139	-	-	-	-
18" 225/45 tyres (Sport Edition)	134	140	135	136	-	-	-
18" 225/45 tyres (AMG Line Edition)	134	140	135	136	213	-	-
19" 255/35 tyres	142	147	144	144	tba	227	

Insurance group ratings

S/SE	tba	tba	tba	-	tba	-
Sport Edition/AMG Line Edition	tba	tba	tba	tba	-	tba
Incl. Premium	-	tba	tba	tba	tba	tba
Incl. Premium Plus	-	tba	tba	tba	tba	tba

Insurance ratings may vary depending on model line and specification. Please refer to <http://www.thatcham.org/abigrouprating/> for further details

⁵The choice of wheels and transmission may affect CO₂ emissions and corresponding Road Fund Licence

⁶The indicated values were determined according to the prescribed measurement method – Worldwide Harmonised Light Vehicle Test Procedure (WLTP). Figures shown may include options which are not available in the UK.

*CO₂ figures have been converted into NEDC-equivalent values for use with the current VED and BIK tax legislation.

Figures shown are for comparability purposes; only compare with other cars tested to the same technical procedures. Figures may not reflect real life driving results, which will depend upon a number of factors including factory-fitted options, accessories fitted (post registration), variations in weather, driving styles and vehicle load. Further information about the test used to establish fuel consumption and CO₂ figures can be found at <http://www.mercedes-benz.co.uk/WLTP>



View offers > Saloon
> Estate



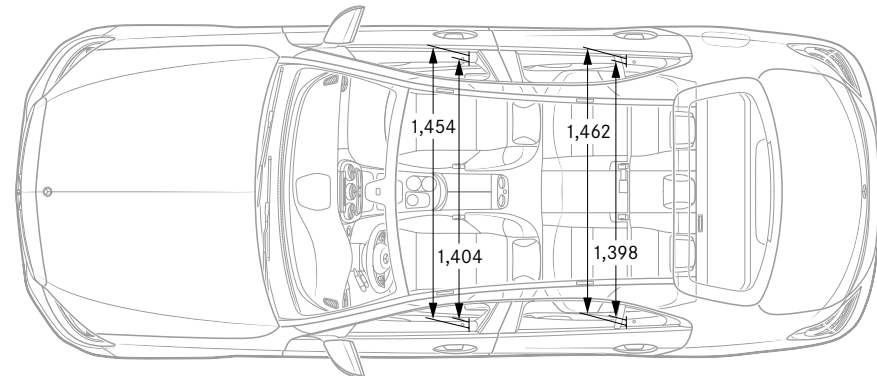
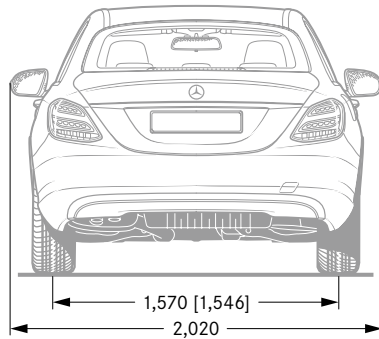
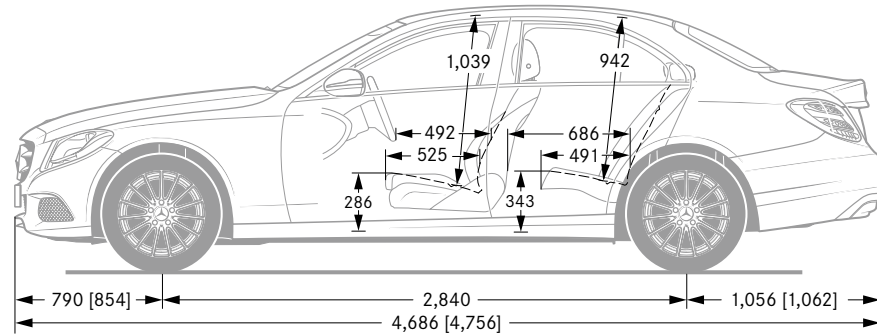
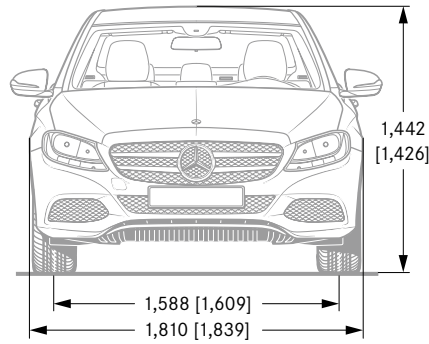
Book a test drive > Saloon
> Estate
> AMG



Find a Retailer



View the Range Guide



Figures in square brackets relate to Mercedes-AMG models. All measurements in millimetres. The dimensions are mean values and apply to standard-specification, unladen vehicles. The figures on pages 78-86 are correct at time of going to print. Please refer to the government website for latest data - <http://carfueldata.direct.gov.uk/>



Technical data – Estate

		Diesel engines		
Model		C 220 d	C 300 d	C 300 de EQ Power
Engine				
Total displacement	cc	1,950	1,950	1,950
Arrangement/cylinders/valves		in-line/4/16	in-line/4/16	in-line/4/16
Fuel delivery		Common-rail diesel with twin turbochargers	Common-rail diesel with twin turbochargers	Common-rail diesel with twin turbochargers
Power ¹	hp (kW) at rpm			
Combustion engine		194 (143)/3,800	245 (180)/4,200	194 (143)/3,800
Electric motor		–	–	122 (90)/tba
System output		–	–	306 (225)/3,800
Torque ¹	Nm at rpm			
Combustion engine		400/1,600–2,800	500/1,600–2,400	400/1,600–2,800
Electric motor		–	–	440/tba
System output		–	–	700/3,800
Compression ratio		15.5:1	15.5:1	15.5:1
Equivalent All-Electric Range (EAER) ²	mi	–	–	28.6–32.9
Battery type/capacity	kWh	–	–	Lithium-ion/13.50
Power consumption, combined ²	Wh/km	–	–	252–214
AC charging time, 10–100% ³	h			
At a domestic socket		–	–	5.0
At a wallbox		–	–	1.5
Capacity on-board charger	kW	–	–	7.2

¹Figures according to Directive 80/1269/EEC in the currently applicable version

²The indicated values were determined according to the prescribed measurement method – Worldwide Harmonised Light Vehicle Test Procedure (WLTP). Figures shown may include options which are not available in the UK. For Plug-in Hybrid Electric Vehicle (PHEV) figures determined with the battery fully charged, using a combination of both battery power and fuel. These models require mains electricity for charging

³Specified voltage and current values refer to network infrastructure and can be limited by the vehicle. Times are from 10–100% charge using a wallbox (three-phase) or standard socket (single-phase)



View offers [> Saloon](#)
[> Estate](#)



Book a test drive [> Saloon](#)
[> Estate](#)
[> AMG](#)



[> Find a Retailer](#)



[> View the Range Guide](#)

		Diesel engines		
Model		C 220 d	C 300 d	C 300 de EQ Power
Transmission				
6-speed manual		-	-	-
9G-TRONIC PLUS 9-speed auto.		●	●	●
Tyre sizes				
Front		225/50 R 17	225/45 R 18	225/50 R 17
Rear		225/50 R 17	245/40 R 18	225/50 R 17
Performance		auto.	auto.	auto.
Acceleration 0-62 mph	s	7.0	6.0	5.7
Top speed	mph	145	155 ⁴	155 ⁴



View offers > Saloon
> Estate



Book a test drive > Saloon
> Estate
> AMG



> Find a Retailer



> View the Range Guide

		Diesel engines		
Model		C 220 d	C 300 d	C 300 de EQ Power
Weights and capacities		auto.	auto.	auto.
Kerb weight ⁵	kg	1,615	1,685	1,955
Perm. Gross Vehicle Weight	kg	2,205	2,275	2,480
Towing capacity – unbraked/braked	kg	750/1,800	750/1,800	750/1,800
Boot capacity – seats up seats down		460	460	315
	l	1,480	1,480	1,335
Fuel tank capacity/of which reserve	l	66/7	66/7	66/7
Turning circle	m	11.18	11.18	11.18
Fuel consumption^{6,7,8}		auto.	auto.	auto.
Combined (consumption dependent on chosen optional equipment)	l/100 km mpg	5.4–6.1 52.3–46.3	5.9–6.6 47.9–42.8	1.3–1.6 217.3–176.6

⁵Figures according to Directive 92/21/EC (kerb weight with fuel tank 90% full, driver, 68 kg, and luggage, 7 kg) for standard-specification vehicles. Optional extras and accessories will generally increase this figure and reduce the payload capacity accordingly

⁶All figures are based on a standard specification with the smallest tyre size ⁷The choice of wheels and transmission may affect CO₂ emissions and corresponding Road Fund Licence

⁸The indicated values were determined according to the prescribed measurement method – Worldwide Harmonised Light Vehicle Test Procedure (WLTP). Figures shown may include options which are not available in the UK.

Figures shown are for comparability purposes; only compare with other cars tested to the same technical procedures. Figures may not reflect real life driving results, which will depend upon a number of factors including factory-fitted options, accessories fitted (post registration), variations in weather, driving styles and vehicle load. Further information about the test used to establish fuel consumption and CO₂ figures can be found at <http://www.mercedes-benz.co.uk/WLTP>



View offers > Saloon
> Estate



Book a test drive > Saloon
> Estate
> AMG



> Find a Retailer



> View the Range Guide

		Diesel engines		
Model		C 220 d	C 300 d	C 300 de EQ Power
CO₂ emissions^{7,8,*}	g /km	auto.	auto.	auto.
Emissions standard		EU6	EU6	EU6
17" 225/50 tyres		123	-	-
18" 225/45 tyres (Sport Edition)		123	-	39
18" 245/40 tyres (AMG Line Edition)		119	132	42
19" 255/35 tyres		127	146	42

Insurance group ratings

SE	tba	-	-
Sport Edition/AMG Line Edition	tba	tba	tba
Incl. Premium	tba	tba	tba
Incl. Premium Plus	tba	tba	tba

Insurance ratings may vary depending on model line and specification. Please refer to <http://www.thatcham.org/abigrouprating/> for further details

⁷The choice of wheels and transmission may affect CO₂ emissions and corresponding Road Fund Licence

⁸The indicated values were determined according to the prescribed measurement method – Worldwide Harmonised Light Vehicle Test Procedure (WLTP). Figures shown may include options which are not available in the UK.

*CO₂ figures have been converted into NEDC-equivalent values for use with the current VED and BIK tax legislation.

Figures shown are for comparability purposes; only compare with other cars tested to the same technical procedures. Figures may not reflect real life driving results, which will depend upon a number of factors including factory-fitted options, accessories fitted (post registration), variations in weather, driving styles and vehicle load. Further information about the test used to establish fuel consumption and CO₂ figures can be found at <http://www.mercedes-benz.co.uk/WLTP>



		Petrol engines			
Model		C 200	C 300	Mercedes-AMG C 43 4MATIC Edition	Mercedes-AMG C 63 [S]
Engine					
Total displacement	cc	1,497	1,991	2,996	3,982
Arrangement/cylinders/valves		in-line/4/16	in-line/4/16	V/6/24	V/8/32
Fuel delivery		Electronically controlled direct injection with turbocharger	Electronically controlled direct injection with turbocharger	Electronically controlled direct injection with twin turbochargers	Electronically controlled direct injection with twin turbochargers
Power ¹	hp (kW) at rpm				
Combustion engine		184 (135)/5,800–6,100	258 (190)/5,800–6,100	390 (287)/6,100	476 (350)/5,500–6,250 [510 (375)/5,500–6,250]
EQ Boost		10 kW	–	–	–
Torque ¹	Nm at rpm				
Combustion engine		280/3,000–4,000	370/1,800–4,000	520/2,500–5,000	650/1,750–4,500 [700/2,000–4,500]
Compression ratio		11.0:1	10.5:1	10.5:1	10.5:1

¹Figures according to Directive 80/1269/EEC in the currently applicable version



View offers [> Saloon](#)
[> Estate](#)



Book a test drive [> Saloon](#)
[> Estate](#)
[> AMG](#)



[> Find a Retailer](#)



[> View the Range Guide](#)

		Petrol engines			
Model		C 200	C 300	Mercedes-AMG C 43 4MATIC Edition	Mercedes-AMG C 63 [S]
Transmission					
6-speed manual		-	-	-	-
9G-TRONIC PLUS 9-speed auto.		●	●	●	-
AMG SPEEDSHIFT MCT 9-speed auto.		-	-	-	●
Tyre sizes					
Front		225/50 R 17	225/45 R 18	225/40 R 19	245/40 [245/35]
Rear		225/50 R 17	245/40 R 18	255/35 R 19	265/40 [265/35]
Performance					
		auto.	auto.	auto.	auto.
Acceleration 0-62 mph	s	7.9	6.0	4.8	4.2 [4.1]
Top speed	mph	146	155	155 ²	155 ² [174]



View offers > Saloon
> Estate



Book a test drive > Saloon
> Estate
> AMG



> Find a Retailer



> View the Range Guide

		Petrol engines			
Model		C 200	C 300	Mercedes-AMG C 43 4MATIC Edition	Mercedes-AMG C 63 [S]
Weights and capacities		auto.	auto.	auto.	auto.
Kerb weight ³	kg	1,565	1,610	1,760	1,815 [1,825]
Perm. Gross Vehicle Weight	kg	2,155	2,200	2,320	2,240 [2,240]
Towing capacity – unbraked/braked	kg	750/1,800	750/1,800	750/1,800	-/-
Boot capacity – seats up seats down		440	460	460	460
	l	1,460	1,480	1,480	1,480
Fuel tank capacity/of which reserve	l	66/7	66/7	66/7	66/7
Turning circle	m	11.18	11.18	12.10	11.80
Fuel consumption^{4,5,6}		auto.	auto.	auto.	auto.
Combined (consumption dependent on chosen optional equipment)	l/100 km mpg	7.3–8.2 38.7–34.5	7.3–8.1 38.7–34.9	9.8–10.3 28.8–27.4	11.1–11.3 [11.1–11.4] 25.5–25.0 [25.5–24.8]

³Figures according to Directive 92/21/EC (kerb weight with fuel tank 90% full, driver, 68 kg, and luggage, 7 kg) for standard-specification vehicles. Optional extras and accessories will generally increase this figure and reduce the payload capacity accordingly

⁴All figures are based on a standard specification with the smallest tyre size ⁵The choice of wheels and transmission may affect CO₂ emissions and corresponding Road Fund Licence

⁶The indicated values were determined according to the prescribed measurement method – Worldwide Harmonised Light Vehicle Test Procedure (WLTP). Figures shown may include options which are not available in the UK.

Figures shown are for comparability purposes; only compare with other cars tested to the same technical procedures. Figures may not reflect real life driving results, which will depend upon a number of factors including factory-fitted options, accessories fitted (post registration), variations in weather, driving styles and vehicle load. Further information about the test used to establish fuel consumption and CO₂ figures can be found at <http://www.mercedes-benz.co.uk/WLTP>



		Petrol engines			
Model		C 200	C 300	Mercedes-AMG C 43 4MATIC Edition	Mercedes-AMG C 63 [S]
CO₂ emissions^{5,6,*}	g/km	auto.	auto.	auto.	auto.
Emissions standard		EU6	EU6	EU6	
17" 225/50 tyres		146	-	-	- [-]
18" 225/45 tyres (Sport Edition)		142	143	-	-
18" 245/40 tyres (AMG Line Edition)		142	143	219	228 [-]
19" 255/35 tyres		151	151	tba	228 [229]

Insurance group ratings

SE	tba	-	tba	-
Sport Edition/AMG Line Edition	tba	tba	-	tba
Incl. Premium	tba	tba	tba	tba
Incl. Premium Plus	tba	tba	tba	tba

Insurance ratings may vary depending on model line and specification. Please refer to <http://www.thatcham.org/abigrouprating/> for further details

⁵The choice of wheels and transmission may affect CO₂ emissions and corresponding Road Fund Licence

⁶The indicated values were determined according to the prescribed measurement method – Worldwide Harmonised Light Vehicle Test Procedure (WLTP). Figures shown may include options which are not available in the UK.

*CO₂ figures have been converted into NEDC-equivalent values for use with the current VED and BIK tax legislation.

Figures shown are for comparability purposes; only compare with other cars tested to the same technical procedures. Figures may not reflect real life driving results, which will depend upon a number of factors including factory-fitted options, accessories fitted (post registration), variations in weather, driving styles and vehicle load. Further information about the test used to establish fuel consumption and CO₂ figures can be found at <http://www.mercedes-benz.co.uk/WLTP>



View offers > Saloon
> Estate



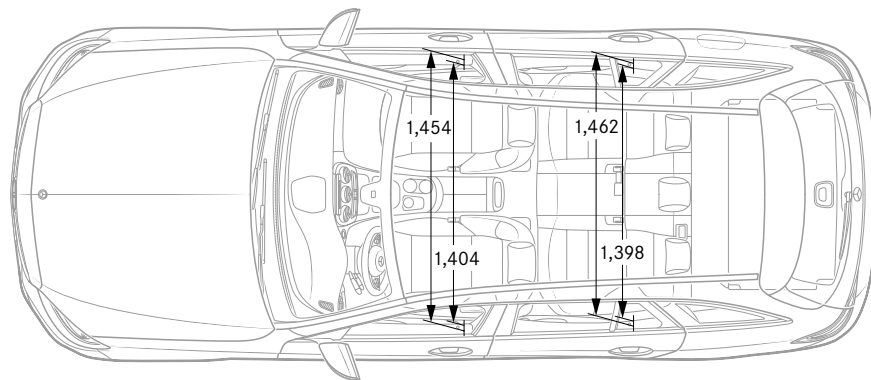
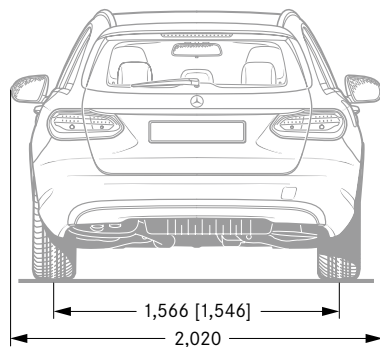
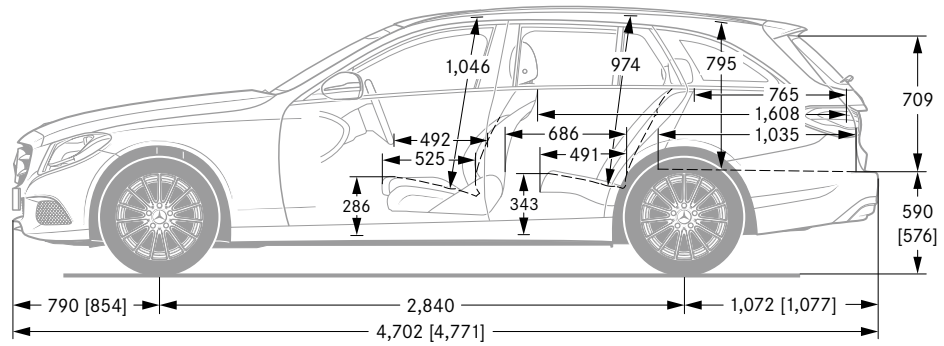
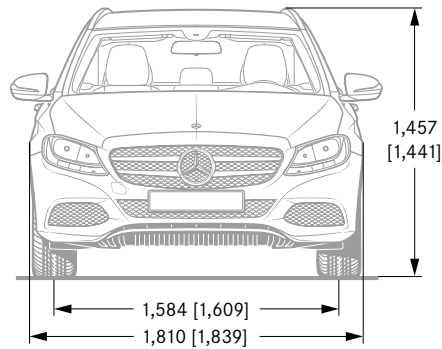
Book a test drive > Saloon
> Estate
> AMG



Find a Retailer



View the Range Guide



Figures in square brackets relate to Mercedes-AMG models. All measurements in millimetres. The dimensions are mean values and apply to standard-specification, unladen vehicles. The figures on pages 87–95 are correct at time of going to print. Please refer to the government website for latest data – <http://carfueldata.direct.gov.uk/>



View offers

- > Saloon
- > Estate



Book a test drive

- > Saloon
- > Estate
- > AMG



Find a Retailer



View the Range Guide

Road Fund Licence



All road vehicle registrations are subject to Vehicle Excise Duty (Road Fund Licence), which varies in accordance with the vehicle's CO₂ emissions. A first year rate for each taxation band will apply. The table below shows the bands (A–M) created by the DVLA and the corresponding Road Fund Licence. CO₂ emissions are listed in the technical data on pages 81, 85, 90 and 94, and the relevant Excise Duty is reflected in the on-the-road prices on pages 37–42.

Band	CO ₂ emissions (g/km)	First year rate petrol and RDE2 diesel (£)	First year rate all other diesel (£) ¹	First year rate alternative fuel (£)	Standard rate (£)	Premium rate (£) ²
A	0	0.00	0.00	0.00	0.00	320.00
B	1 to 50	10.00	25.00	0.00	145.00	465.00
C	51 to 75	25.00	110.00	15.00	145.00	465.00
D	76 to 90	110.00	130.00	100.00	145.00	465.00
E	91 to 100	130.00	150.00	120.00	145.00	465.00
F	101 to 110	150.00	170.00	140.00	145.00	465.00
G	111 to 130	170.00	210.00	160.00	145.00	465.00
H	131 to 150	210.00	530.00	200.00	145.00	465.00
I	151 to 170	530.00	855.00	520.00	145.00	465.00
J	171 to 190	855.00	1,280.00	845.00	145.00	465.00
K	191 to 225	1,280.00	1,815.00	1,270.00	145.00	465.00
L	226 to 255	1,815.00	2,135.00	1,805.00	145.00	465.00
M	over 255	2,135.00	2,135.00	2,125.00	145.00	465.00

¹Applies to all Mercedes-Benz diesel models which do not comply with Real Driving Emissions step 2 (RDE2)

²Premium rate only applicable to vehicles where the list price is over £40,000 including any factory-fitted options, standard UK delivery charge, number plates, fuel and VAT



View offers > Saloon
> Estate



Book a test drive > Saloon
> Estate
> AMG



> Find a Retailer



> View the Range Guide

Services and insurance

Mercedes-Benz ServiceCare

We believe that servicing costs should be as flexible and affordable as possible for your C-Class, which is why we offer ServiceCare, an easy way to budget for all your servicing costs. It spreads your bills into manageable payments based on whether you have a new or used Mercedes-Benz.

With ServiceCare we guarantee the price of parts and labour for up to four services and safeguard against any further inflation. It also covers the cost of all recommended service items including brake fluid, spark plugs, air filters, fuel filters and screen wash.

You can choose either to add your servicing costs into your monthly spend or pay the full amount in a one-off payment, giving you peace of mind that they are taken care of for the period of the plan.

To receive a personalised ServiceCare plan recommendation visit the ServiceCare Calculator at servicecarerates.mercedes-benz.co.uk

Warranty and breakdown cover

Every Mercedes-Benz comes with a three-year unlimited mileage warranty against manufacturing or material defects¹ and up to 30 years warranty against perforation due to corrosion from the inside out.² What's more, it's also covered by Mercedes-Benz Roadside Assistance – a unique package comprising up to 30 years pan-European breakdown assistance.²

Motor Insurance

Superb cover comes as standard. When reviewed by an independent research company, Defaqto, Mercedes-Benz Motor Insurance received a five-star rating, the highest rating available. We design our Motor Insurance specifically for Mercedes-Benz drivers.

For more information or to obtain a quote, click [here](#).

¹Applies to vehicles sold by Mercedes-Benz in the UK to its franchised Retailers ²Subject to full Terms and Conditions, dependent on date of registration, available upon request Mercedes-Benz Motor Insurance is underwritten by Aviva Insurance UK Limited. Credit provided, subject to status, by Mercedes-Benz Financial Services UK Ltd, MK15 8BA *For joint protection, calls may be recorded and/or monitored. All calls charged at local rate. We may decline to quote in some circumstances



Mercedes-Benz Finance

Why should you finance with Mercedes-Benz?

At Mercedes-Benz we believe a great driving experience should be matched by an equally great ownership experience. That is why we put just as much thought, time and effort into designing our finance options, our service plans and our insurance cover as we do into our vehicles.

We are not in the business of simply providing a loan to fund the purchase of your dream vehicle. We look on it as a journey that we take with you, from the moment you choose your new Mercedes-Benz, to helping you in choosing your next one.

If you would like to find out more about any of our current offers, simply call into your local Mercedes-Benz Retailer where one of our Business Managers will be more than happy to talk you through anything you need to know.

Helping you find the right solution.

You should find our finance packages are more convenient than a traditional personal loan because:

- Funds are immediately available – no waiting for cheques or loans to clear.
- There is no security required – either against your home or other assets.
- We have clear and transparent rates – the APR we quote is the APR you get.
- We have friendly Business Managers – experts in vehicle finance who can talk you through all of your plans in detail.

One of our most popular finance products is Mercedes-Benz Agility (our Personal Contract Purchase product). We also offer Contract Hire, Operating Lease and Hire Purchase solutions. If you would like to find out more about these speak to your Retailer or visit www.mercedes-benz.co.uk/fandi.

Mercedes-Benz Agility (our PCP product).

At the start of an Agility agreement, you put down a deposit and decide the term of your agreement and your annual mileage. You will be advised of the Guaranteed Future Value, which offers you the reassurance of knowing exactly what you will need to pay to own the vehicle outright in the future (this is known as the Optional Purchase Payment).

Throughout your agreement you simply pay your agreed monthly payments and when the agreement comes to an end you either purchase, hand back or part-exchange your vehicle.





View offers > Saloon
> Estate



Book a test drive > Saloon
> Estate
> AMG



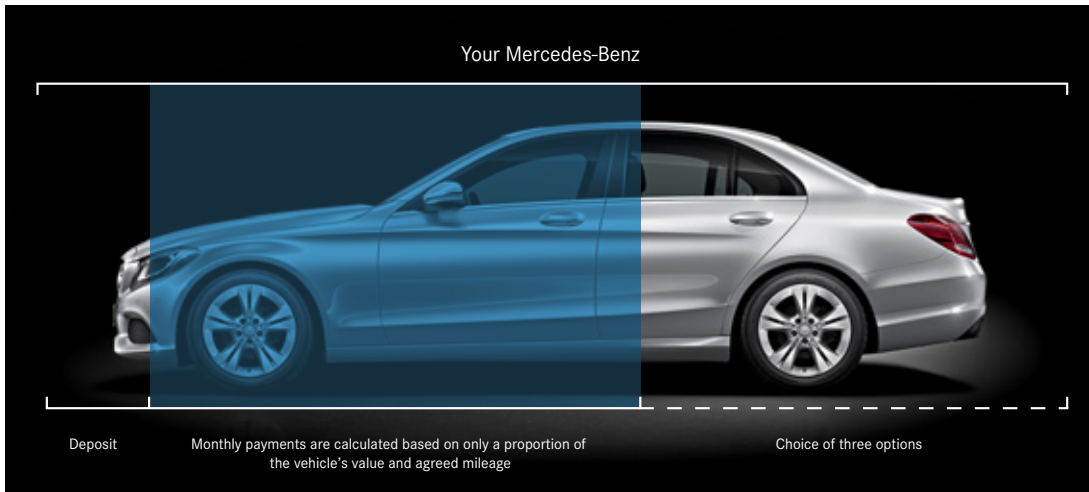
> Find a Retailer



> View the Range Guide

Agility features:

- Fixed regular payments mean you can easily budget.
- Payments are based only on a proportion of the vehicle's value, keeping your monthly payments lower.
- Our Guaranteed Future Value avoids the risk of unplanned depreciation of your vehicle.
- You defer your ownership decision until the end of the agreement.



At the end of your agreement you have three options to choose from.

Option 1: Purchase your Mercedes-Benz.

Purchase your Mercedes-Benz by paying the Optional Purchase Payment and Purchase Activation Fee.¹ This will complete the purchase of your Mercedes-Benz, leaving you free to simply enjoy your vehicle.

Option 2: Hand back your Mercedes-Benz.

If you decide to return your vehicle to us, it must be in line with our Vehicle Return Standards,^{*} as vehicle condition, excess mileage and other charges may be payable.

Option 3: Part-Exchange for a new vehicle.

Purchase your Mercedes-Benz by paying the Optional Purchase Payment and Purchase Activation Fee.¹ This will complete the purchase of your Mercedes-Benz, leaving you free to part-exchange for a new vehicle.

¹Please note the 'Purchase Activation Fee' of £10 will be debited from your account ^{*}To find out more information about our Vehicle Return Standards please visit <http://mercedes-benz.co.uk/vrs>



View offers > Saloon
> Estate



Book a test drive > Saloon
> Estate
> AMG





> Find a
Retailer





> View the
Range Guide

Follow us on the following social media channels:

 facebook.com/mercedesbenzuk

 twitter.com/mercedesbenzuk

 youtube.com/mercedesbenzuk

 instagram.com/mercedesbenzuk

Effective from December 2019 Production. Information correct at time of publication.

Prices and specifications are subject to change without prior notice.

MBWS205PL/1119 MY2020

Mercedes-Benz Cars UK Limited, Tongwell, Milton Keynes, MK15 8BA. Company number 2448457 www.mercedes-benz.co.uk