



> Book a test drive



> View offers



> Find a Retailer



> View the Range Guide

B-Class



Effective from December 2019 Production.

Mercedes-Benz





> Book a test drive



> View offers



> Find a Retailer



> View the Range Guide

Contents

4 Standard equipment overview	25 Pricing summary for model and equipment lines	40 Technical data
5 Introducing MBUX	26 Colours and materials	47 Road Fund Licence
6 Mercedes me	29 Wheels	48 Services and insurance
8 Model lines	30 Standard equipment	49 Mercedes-Benz Finance
20 Driving Assistance package	35 Optional equipment	
21 Model prices	36 Genuine Accessories	



> Book a test drive



> View offers



> Find a Retailer



> View the Range Guide



Some of the model features, optional extras and colours shown may not be available, or may only be available in a different specification.



> Book a test drive



> View offers



> Find a Retailer



> View the Range Guide

Standard equipment overview



MBUX technology with hard-disk navigation, Live Traffic, DAB and “Hey Mercedes”



7-inch digital instrument display and 7-inch touchscreen media display



Reversing camera



Heated front seats with three settings



Rear seats with fore/aft adjustment, rear armrest with integrated cup holders and foldable rear backrests (40:20:40)



EASY-PACK tailgate



Introducing MBUX



Optional Premium equipment line shown



Multi-gesture touchpad control

Introducing MBUX, the brand new Mercedes-Benz User Experience infotainment system that can be controlled via voice and touch input. The B-Class features this innovative way of communicating with your Mercedes-Benz.

MBUX (Mercedes-Benz User Experience) infotainment system comprises:

Voice control

- Activated by the keywords “Hey Mercedes”, the new intelligent voice control LINGUATRONIC¹ lets you control many of the infotainment functions, including destination input, phone calls or music selection
- MBUX is able to understand different accents and will adjust to you over time
- MBUX even understands indirect commands. Feeling chilly? Just say “I feel cold” and MBUX will adjust the temperature for you

Personalisation

- Turn the B-Class into your very own Mercedes-Benz by personalising driving modes, radio stations, ambient lighting and much more
- Your personal settings can be saved in up to seven different profiles, making your driving experience the best one possible
- Thanks to artificial intelligence, MBUX is able to learn and adapt over time. It will be able to predict your personal habits, such as navigation for frequently-driven routes, or the radio station you like to listen to on your way home from work

Touch inputs

- Beside voice control you can operate MBUX via touchscreen, the touchpad on the centre console, as well as touch control buttons on the steering wheel
- The touchpad recognises your handwriting should you wish to enter addresses or phone numbers silently

Maintenance and service

- Wondering when the next service is due? Or how much further you can drive until you need to stop at a petrol station? Just ask your MBUX – it will tell you the answer

¹LINGUATRONIC off-board functions are currently only available for three years



> Book a test drive



> View offers



> Find a Retailer



> View the Range Guide

Mercedes me connect.

Stay connected, any time, anywhere.

Mercedes me is a range of innovative online services designed to enhance your Mercedes-Benz experience. Accessible via mobile, tablet or PC, Mercedes me lets you enjoy the highest standards of care and support, in a way that integrates seamlessly with your busy lifestyle.



Navigation Services (01U)

Visit the Mercedes me connect store or app for pricing.



Live Traffic Information¹

Your navigation system receives traffic data in real time, enabling it to optimise the dynamic route guidance, minimising drive time and offering more precise estimation of arrival times.



Available parking spaces

Locates parking spaces for you in multi-storey car parks and on the street. Saving you time and hassle.



Local Search

This feature provides support in the local search for restaurants or hotels and much more.



Send2Car

Make your journey easier: set your destination using the Mercedes me app and send it directly to your car's navigation system.

Infotainment

Visit the Mercedes me connect store or app for pricing.



connect Store

In the Mercedes me connect Store you can purchase many digital services designed to make your everyday life easier and provide useful information relating to your networked vehicle.



TIDAL

Love music? Get a 12-month TIDAL HiFi subscription free with Mercedes me connect (worth £240) and unlock access to 58 million songs.



Internet Radio

Listen to podcasts and radio stations from anywhere in the world.



Private car sharing

Car sharing gives you the opportunity to share your vehicle in a straightforward and safe way with third parties who you authorise.

For more information speak to your local Retailer or visit the Mercedes me connect store at shop.mercedes-benz.com/en-gb/connect

¹Free of charge for first 3 years. Extension possible, visit the Mercedes me connect store for details on pricing



> Book a test drive



> View offers



> Find a Retailer



> View the Range Guide

Mercedes me connect.

Stay connected, any time, anywhere.

Mercedes me is a range of innovative online services designed to enhance your Mercedes-Benz experience. Accessible via mobile, tablet or PC, Mercedes me lets you enjoy the highest standards of care and support, in a way that integrates seamlessly with your busy lifestyle.



Vehicle Set-up (08U)

Pre-installation standard.

Visit the Mercedes me connect store for more information and to activate services.



Remote Vehicle Status

Check safety information, such as coolant level and brake pad condition, so you can be sure your car is safe and ready to drive.



Personalisation

Store your preferences, such as your favourite radio stations and apps, to create your personal driver profile.



Parked Vehicle Locator

Forgot where you parked your car? No problem: you can locate and track your car, with the Parked Vehicle Locator.



Vehicle Tracker

Track the location of your car anywhere in the world.



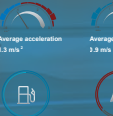
Pre-Entry Climate Control

Programming of charging settings and Pre-Entry Climate Control for plug-in vehicles.



Remote Door Locking/Unlocking

Lock and unlock your car remotely, wherever you are in the world.



ECO Display

Monitor your driving style with ECO Display. It summarises your driving style from the start of the journey to its completion to help you achieve the most economical way to drive.



Geo-fencing

Set up a geographical boundary and receive alerts whenever your car enters or leaves this area.

For more information speak to your local Retailer or visit the Mercedes me connect store at shop.mercedes-benz.com/en-gb/connect



> Book a test drive



> View offers



> Find a Retailer



> View the Range Guide

B-Class Sport

8



Options shown: mountain grey metallic paint (code 787U)



> Book a test drive



> View offers



> Find a Retailer



> View the Range Guide

Model lines | B-Class Sport

9



Options shown: mountain grey metallic paint (code 787U)



Standard ARTICO man-made leather/Fléron fabric (black)



Options shown: mountain grey metallic paint (code 787U); Active Parking Assist with PARKTRONIC



Dynamic and agile, yet spacious and comfortable: the Mercedes-Benz B-Class Sport combines the best of both worlds. 17" alloy wheels painted vanadium silver and a black grille with two louvres painted silver with chrome inserts add to the distinctive look of the exterior, while the Active Brake Assist, Active Lane Keeping Assist, ATTENTION ASSIST and LED

High Performance headlamps make your journey the safest possible. It offers impressive features such as the MBUX multimedia system and a multifunction sports steering wheel in leather with black topstitching. Two-zone automatic climate control and the KEYLESS-GO starting function provide additional comfort.

Engine, Transmission and Suspension

Driving modes – DYNAMIC SELECT with a choice of driving modes: Eco, Comfort, Sport and Individual

Exterior

17" alloy wheels – 10-spoke design, painted vanadium silver

Chrome weather strip

LED High Performance headlamps with integrated LED daytime running lights

Radiator grille in black with two louvres painted silver with chrome insert

Interior

Comfort seats with adjustable head restraints – ensure good long-distance comfort and are extensively adjustable for length, height and the angle of the seat surface

EASY-PACK tailgate – can be opened and closed electrically

Heated front seats – seat heating quickly brings the seat cushions and backrests up to a pleasant temperature. Three levels of intensity can be selected

KEYLESS-GO starting function

Multifunction sports steering wheel in leather with black topstitching, and bezel in silver chrome

Rear armrest with two cup holders

Speed-sensitive power steering

Two-zone automatic climate control with coloured inserts in the air vents

Communications, Safety and Assistance Systems

7-inch digital instrument display, 7-inch touchscreen media display

Active Brake Assist – forward collision warning system with autonomous braking intervention

Active Lane Keeping Assist – can warn you by means of steering wheel vibrations if you inadvertently drive over road markings. In situations of danger, the system can also intervene actively by means of one-sided braking and guide you back into your lane

ATTENTION ASSIST – monitors steering behaviour and can help alert you to long journey fatigue

Hard-disk navigation with 3 years free Live Traffic Information

MBUX multimedia system including DAB digital radio and touchpad

Speed Limit Assist – detects the speed limit and displays it in the instrument cluster

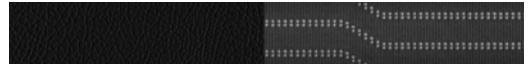
USB interface in oddments tray and two USB (type C) interfaces in rear of centre console

Trim and Upholstery

Spiral look



ARTICO man-made leather/Fléron fabric – black



OTR from **£26,010**¹

¹The recommended on-the-road price includes the Road Fund Licence applicable to the standard model plus delivery charge (£715.00 incl. VAT), new vehicle registration fee (£55.00) and number plates (£25.00 incl. VAT). VAT is calculated at the standard rate of 20%



> Book a test drive



> View offers



> Find a Retailer



> View the Range Guide

B-Class Sport Executive



10.25-inch touchscreen media display



Parking package - 180° reversing camera, Active Parking Assist with PARKTRONIC



Mirror package



The Sport Executive model line is equipped with additional comfort and technology features. With the Parking package you will master tight parking spaces effortlessly. Active Parking Assist with PARKTRONIC searches for a suitable parking space and then helps you to park in it, while the 180° reversing camera gives you the overview to the rear. Thanks to the Mirror

package, exterior mirrors can be folded electrically, and the driver's exterior mirror and the rear-view mirror dim automatically. The touch-sensitive 10.25-inch media display networks you with the car and responds to your input. Smartphone integration has never been that easy and, while on the road, compatible smartphones can be charged wirelessly.

In addition/replacement to Sport:

Exterior

Parking package – 180° reversing camera, Active Parking Assist with PARKTRONIC

Interior

10.25-inch touchscreen media display

Mirror package – electrically folding exterior mirrors and automatically-dimming driver's side mirror and rear view mirror

Smartphone integration including Apple CarPlay™ and Android Auto™¹

Wireless charging¹

Trim and Upholstery

Spiral look



ARTICO man-made leather/Fléron fabric – black



OTR from **£27,510²**

Upgrade price from Sport **£1,500**

¹Compatible mobile phone required

²The recommended on-the-road price includes the Road Fund Licence applicable to the standard model plus delivery charge (£715.00 incl. VAT), new vehicle registration fee (£55.00) and number plates (£25.00 incl. VAT). VAT is calculated at the standard rate of 20%



> Book a test drive



> View offers



> Find a Retailer



> View the Range Guide

B-Class AMG Line Executive





> Book a test drive



> View offers



> Find a Retailer



> View the Range Guide



Model lines | B-Class AMG Line Executive

14

10.25-inch touchscreen media display



Smartphone integration



Wireless charging



> Book a test drive



> View offers



> Find a Retailer



> View the Range Guide

The AMG Line Executive model line is based on the Sport Executive and comes with that little bit of extra comfort and technology. With the Parking package you will master tight parking spaces effortlessly. Active Parking Assist with PARKTRONIC searches for a suitable parking space and then helps you to park in it, while the 180° reversing camera gives you the overview to the rear. Thanks to the Mirror package, exterior mirrors can be

folded electrically, and the driver's exterior mirror and the rear-view mirror dim automatically. The touch-sensitive 10.25-inch media display networks you with the car and responds to your input. Smartphone integration has never been that easy and, while on the road, compatible smartphones can be charged wirelessly.

In addition/replacement to Sport Executive:

Exterior

Parking package – 180° reversing camera, Active Parking Assist with PARKTRONIC

18" AMG alloy wheels – 5-twin-spoke design, painted titanium grey with high-sheen finish

AMG bodystyling, consisting of AMG front apron with front splitter in chrome, AMG side sill panels and AMG rear apron with chrome trim and visible exhaust tailpipes

Diamond radiator grille with chrome pins and single louvre

Privacy glass – heat-insulating dark-tinted glass with dark tinting on rear window and rear side windows

Interior

Mirror package – Electrically folding exterior mirrors and automatically-dimming driver's side mirror and rear view mirror

Pedals – brushed stainless steel sports pedals with rubber studs

Smartphone integration¹

Sports seats – optimise lateral support for dynamic driving and at the same time provide comfort for everyday use

Steering wheel – 3-spoke, 12-button multifunction sports steering wheel in nappa leather with flattened bottom section and perforated grip area

Wireless charging¹

Trim and Upholstery

Carbon structure



ARTICO man-made leather/DINAMICA microfibre (black) with red contrast stitching



OTR from **£29,010²**

Upgrade price from Sport Executive **£1,500**

¹Compatible mobile phone required

²The recommended on-the-road price includes the Road Fund Licence applicable to the standard model plus delivery charge (£715.00 incl. VAT), new vehicle registration fee (£55.00) and number plates (£25.00 incl. VAT). VAT is calculated at the standard rate of 20%



> Book a test drive



> View offers



> Find a Retailer



> View the Range Guide

B-Class AMG Line Premium



64-colour ambient lighting



10.25-inch digital instrument display



Illuminated 'Mercedes-Benz' door sills



> Book a test drive



> View offers



> Find a Retailer



> View the Range Guide

The AMG Line Premium further enhances your B-Class with some practical features and equipment that adds to your comfort. Greeted by illuminated ‘Mercedes-Benz’ door sills and a 10.25-inch digital instrument display, KEYLESS-ENTRY allows for convenient opening, starting and locking of the car without the need of holding the car key in your hand. Augmented reality

for navigation enables you to find your way in complex traffic situations. Inside, the 64 colours of the ambient lighting create fascinating colour schemes showcasing the interior, while Mercedes-Benz advanced sound system ensures for an exceptional listening experience.

In addition/replacement to AMG Line Executive:

Exterior

KEYLESS-ENTRY (lock/unlock) – chrome insert on door handle. Allows convenient opening, starting and locking of the vehicle – with no need for you to have the key in your hand. With this convenient technology you don’t even need to take the key out of your pocket. All the doors can be opened and locked simply by touching the handle

Pre-installation for Trailer Coupling

Interior

10.25-inch digital instrument display

Augmented reality for navigation – a camera in the windscreen records the area in front of the vehicle. This recoding runs in the media display. Superimposed highlighted information, such as house numbers and street names, facilities orientation at the destination

Illuminated ‘Mercedes-Benz’ door sills

Interior lighting – ambient lighting in 64 colours: all colours can be selected individually. Eight colour schemes each consist of two colours – the cockpit and the footwell are kept in the same colour, while the centre area of dashboard forms a contrast. The colours are static or slowly replace each other in Dynamic mode to produce a constant change of colour. Special emotively appealing effects: a light show welcomes the driver, and the climate control indicates in colour via the ambient lighting whether a warmer or colder temperature is being set. Adjustable brightness of the LEDs, with 10 levels and three zones: cockpit, front seat area and also entire dimming zone. The internal workings of the air vents are finished in silver chrome and illuminated. Additional illumination of the piping on the dashboard above the trim element and in the doors. Here the coloured piping is replaced by a transparent fibre-optic cable

Mercedes-Benz advanced sound system, 225 W – includes a mid-range speaker as the central speaker, one mid-range speaker in each of the front and rear doors as well as one tweeter in each door. For a little bit more bass a subwoofer bass box is installed in the rear, including a separate amplifier

Trim and Upholstery

Carbon structure



ARTICO man-made leather/DINAMICA microfibre(black) with red contrast stitching



OTR from £32,010¹

Upgrade price from AMG Line Executive £3,000

¹The recommended on-the-road price includes the Road Fund Licence applicable to the standard model plus delivery charge (£715.00 incl. VAT), new vehicle registration fee (£55.00) and number plates (£25.00 incl. VAT). VAT is calculated at the standard rate of 20%



> Book a test drive



> View offers



> Find a Retailer



> View the Range Guide

B-Class AMG Line Premium Plus



Panoramic glass sunroof



MULTIBEAM LED headlamps



Electrically-adjustable front memory seats



> Book a test drive



> View offers



> Find a Retailer



> View the Range Guide

If you can't get enough of pioneering technology and comfort, this model line is your answer. The AMG Line Premium Plus comes with all the stunning characteristics of the AMG Line Premium and more: take the MULTIBEAM LED headlamps with Adaptive Highbeam Assist Plus or the panoramic

sunroof for a bright and airy feel. Inside, you're in for a treat: electrically-adjustable front memory seats including lumbar support come as standard. Meanwhile, Traffic Sign Assist adds to the effortless driving experience.

In addition/replacement to AMG Line Premium:

Exterior

MULTIBEAM LED headlamps with Adaptive Highbeam Assist Plus - 84 individually-controllable high-performance LEDs per module; active light function; adaptive all-LED tail lights; Adaptive Highbeam Assist Plus; cornering light function; enhanced fog light function, city light, country mode, motorway mode and adverse weather light; LED dipped-beam and main-beam headlamps; ULTRA RANGE Highbeam with 650 m range

Panoramic glass sunroof - includes tilt position which adapts to vehicle speed in three stages and has convenience closing and automatic rain-sensor closing. Black roof lining as standard

Interior

Electrically-adjustable front memory seats with lumbar support. Lumbar support with four settings: higher, lower weaker or stronger. The memory programming includes all seat adjustment functions such as seat height and fore-and-aft position, seat cushion angle and seat backrest inclination

Traffic Sign Assist - a camera scans speed limit signs, so navigation data always displays the current limit

Trim and Upholstery

Carbon structure



ARTICO man-made leather/DINAMICA microfibre (black) with red contrast stitching



OTR from **£33,510¹**

Upgrade price from AMG Line Premium **£1,500**

¹The recommended on-the-road price includes the Road Fund Licence applicable to the standard model plus delivery charge (£715.00 incl. VAT), new vehicle registration fee (£55.00) and number plates (£25.00 incl. VAT). VAT is calculated at the standard rate of 20%



Driving Assistance package



Active Distance Assist DISTRONIC



Active Steering Assist

The Driving Assistance package contains a range of highly intelligent features to help you stay safe on the road – by making the drive more effortless, by warning of danger, and by taking steps to protect you in an emergency.

Driving Assistance package (code 23P) – designed and priced as a package, including items listed below.

AMG Line Premium Plus only

Total incl. VAT £1,495.00

Driving Assistance package comprises:

Active Blind Spot Assist can warn the driver of vehicles in the blind spot during a lane change and can help to avoid a collision by means of one-sided braking intervention

Active Braking Assist with cross-traffic function can help to avoid accidents with vehicles ahead, crossing traffic and also pedestrians, and/or mitigate their consequences

Active Distance Assist DISTRONIC helps maintain the desired distance from the vehicle in front

Active Emergency Stop Assist: immediate emergency braking if evasion is impossible

Active Lane Changing Assist aids the driver with changing lanes by means of steering torque as soon as the driver initiates the change by activating the direction indicator

Active Speed Limit Assist ensures detected speed limits are automatically adopted as the set speed for Active Distance Assist DISTRONIC

Active Steering Assist: targeted steering intervention to prevent unintentional drifting out of lane

Evasive Steering Assist can support the driver in making evasive manoeuvres if, in a dangerous situation, he/she moves to avoid any pedestrian detected by the system

PRE-SAFE® PLUS: when a rear-end collision threatens, PRE-SAFE® PLUS can initiate preventive measures, including warning following traffic and locking the brakes on standstill

Route-based speed adjustment: adaption of speed before curves, roundabouts and junctions



Model prices

Model line	Engine	Transmission	CO ₂ ^{1*}	Basic RRP excl. VAT (£)	Total RRP incl. VAT (£)	Road Fund Licence (£) ²	Rec. OTR price (£) ³	P11D value (£)	BiK tax rate 2020/21 (%)
Sport	B 180 d Diesel – 1,461 cc, 4-cylinder, 116 hp/85 kW	7G-DCT 7-speed automatic	101	21,995.83	26,395.00	170.00	27,360.00	27,135.00	29
	B 200 d Diesel – 1,950 cc, 4-cylinder, 150 hp/110 kW	8G-DCT 8-speed automatic	112	23,079.17	27,695.00	170.00	28,660.00	28,435.00	27
	B 180 Petrol – 1,332 cc, 4-cylinder, 136 hp/100 kW	7G-DCT 7-speed automatic	125	20,870.83	25,045.00	170.00	26,010.00	25,785.00	30
	B 200 Petrol – 1,332 cc, 4-cylinder, 163 hp/120 kW	7G-DCT 7-speed automatic	124	22,162.50	26,595.00	170.00	27,560.00	27,335.00	29
Sport Executive	B 180 d Diesel – 1,461 cc, 4-cylinder, 116 hp/85 kW	7G-DCT 7-speed automatic	101	23,245.83	27,895.00	170.00	28,860.00	28,635.00	29
	B 200 d Diesel – 1,950 cc, 4-cylinder, 150 hp/110 kW	8G-DCT 8-speed automatic	112	24,329.17	29,195.00	170.00	30,160.00	29,935.00	27
	B 180 Petrol – 1,332 cc, 4-cylinder, 136 hp/100 kW	7G-DCT 7-speed automatic	125	22,120.83	26,545.00	170.00	27,510.00	27,285.00	30
	B 200 Petrol – 1,332 cc, 4-cylinder, 163 hp/120 kW	7G-DCT 7-speed automatic	124	23,412.50	28,095.00	170.00	29,060.00	28,835.00	29

¹The indicated values were determined according to the prescribed measurement method – Worldwide Harmonised Light Vehicle Test Procedure (WLTP). Figures shown may include options which are not available in the UK.

*CO₂ figures have been converted into NEDC-equivalent values for use with the current VED and BiK tax legislation.

Figures shown are for comparability purposes; only compare with other cars tested to the same technical procedures. Figures may not reflect real life driving results, which will depend upon a number of factors including factory-fitted options, accessories fitted (post registration), variations in weather, driving styles and vehicle load. Further information about the test used to establish fuel consumption and CO₂ figures can be found at <http://www.mercedes-benz.co.uk/WLTP>

²B 200 d and B 220 d engines are RDE (Real Driving Emissions) Step 2 Certified (Euro 6d). This results in a lower VED and BiK rate as these engines will not be subject to the diesel surcharge. A different first year rate of Vehicle Excise Duty (Road Fund Licence) applies for new cars. Please refer to page 47 for the relevant rate for the second and subsequent years

³The recommended on-the-road price includes the Road Fund Licence applicable to the standard model plus delivery charge (£715.00 incl. VAT), new vehicle registration fee (£55.00) and number plates (£25.00 incl. VAT). VAT is calculated at the standard rate of 20%



Model line	Engine	Transmission	CO ₂ ^{1*}	Basic RRP excl. VAT (£)	Total RRP incl. VAT (£)	Road Fund Licence (£) ²	Rec. OTR price (£) ³	P11D value (£)	BiK tax rate 2020/21 (%)
AMG Line Executive	B 180 d Diesel – 1,461 cc, 4-cylinder, 116 hp/85 kW	7G-DCT 7-speed automatic	101	24,495.83	29,395.00	170.00	30,360.00	30,135.00	29
	B 200 d Diesel – 1,950 cc, 4-cylinder, 150 hp/110 kW	8G-DCT 8-speed automatic	112	25,579.17	30,695.00	170.00	31,660.00	31,435.00	27
	B 220 d Diesel – 1,950 cc, 4-cylinder, 190 hp/140 kW	8G-DCT 8-speed automatic	112	28,204.17	33,845.00	170.00	34,810.00	34,585.00	27
	B 180 Petrol – 1,332 cc, 4-cylinder, 136 hp/100 kW	7G-DCT 7-speed automatic	125	23,370.83	28,045.00	170.00	29,010.00	28,785.00	30
	B 200 Petrol – 1,332 cc, 4-cylinder, 163 hp/120 kW	7G-DCT 7-speed automatic	124	24,662.50	29,595.00	170.00	30,560.00	30,335.00	29
	B 250 Petrol – 1,991 cc, 4-cylinder, 224 hp/165 kW	7G-DCT 7-speed automatic	137	27,245.83	32,695.00	210.00	33,700.00	33,435.00	32

¹The indicated values were determined according to the prescribed measurement method – Worldwide Harmonised Light Vehicle Test Procedure (WLTP). Figures shown may include options which are not available in the UK.

*CO₂ figures have been converted into NEDC-equivalent values for use with the current VED and BiK tax legislation.

Figures shown are for comparability purposes; only compare with other cars tested to the same technical procedures. Figures may not reflect real life driving results, which will depend upon a number of factors including factory-fitted options, accessories fitted (post registration), variations in weather, driving styles and vehicle load. Further information about the test used to establish fuel consumption and CO₂ figures can be found at <http://www.mercedes-benz.co.uk/WLTP>

²B 200 d and B 220 d engines are RDE (Real Driving Emissions) Step 2 Certified (Euro 6d). This results in a lower VED and BiK rate as these engines will not be subject to the diesel surcharge. A different first year rate of Vehicle Excise Duty (Road Fund Licence) applies for new cars. Please refer to page 47 for the relevant rate for the second and subsequent years

³The recommended on-the-road price includes the Road Fund Licence applicable to the standard model plus delivery charge (£715.00 incl. VAT), new vehicle registration fee (£55.00) and number plates (£25.00 incl. VAT). VAT is calculated at the standard rate of 20%



Model line	Engine	Transmission	CO ₂ ^{1*}	Basic RRP excl. VAT (£)	Total RRP incl. VAT (£)	Road Fund Licence (£) ²	Rec. OTR price (£) ³	P11D value (£)	BiK tax rate 2020/21 (%)
AMG Line Premium	B 180 d Diesel – 1,461 cc, 4-cylinder, 116 hp/85 kW	7G-DCT 7-speed automatic	101	26,995.83	32,395.00	170.00	33,360.00	33,135.00	29
	B 200 d Diesel – 1,950 cc, 4-cylinder, 150 hp/110 kW	8G-DCT 8-speed automatic	112	28,079.17	33,695.00	170.00	34,660.00	34,435.00	27
	B 220 d Diesel – 1,950 cc, 4-cylinder, 190 hp/140 kW	8G-DCT 8-speed automatic	112	30,704.17	36,845.00	170.00	37,810.00	37,585.00	27
	B 180 Petrol – 1,332 cc, 4-cylinder, 136 hp/100 kW	7G-DCT 7-speed automatic	125	25,870.83	31,045.00	170.00	32,010.00	31,785.00	30
	B 200 Petrol – 1,332 cc, 4-cylinder, 163 hp/120 kW	7G-DCT 7-speed automatic	124	27,162.50	32,595.00	170.00	33,560.00	33,335.00	29
	B 250 Petrol – 1,991 cc, 4-cylinder, 224 hp/165 kW	7G-DCT 7-speed automatic	137	29,745.83	35,695.00	210.00	36,700.00	36,435.00	32

¹The indicated values were determined according to the prescribed measurement method – Worldwide Harmonised Light Vehicle Test Procedure (WLTP). Figures shown may include options which are not available in the UK.

*CO₂ figures have been converted into NEDC-equivalent values for use with the current VED and BiK tax legislation.

Figures shown are for comparability purposes; only compare with other cars tested to the same technical procedures. Figures may not reflect real life driving results, which will depend upon a number of factors including factory-fitted options, accessories fitted (post registration), variations in weather, driving styles and vehicle load. Further information about the test used to establish fuel consumption and CO₂ figures can be found at <http://www.mercedes-benz.co.uk/WLTP>

²B 200 d and B 220 d engines are RDE (Real Driving Emissions) Step 2 Certified (Euro 6d). This results in a lower VED and BiK rate as these engines will not be subject to the diesel surcharge. A different first year rate of Vehicle Excise Duty (Road Fund Licence) applies for new cars. Please refer to page 47 for the relevant rate for the second and subsequent years

³The recommended on-the-road price includes the Road Fund Licence applicable to the standard model plus delivery charge (£715.00 incl. VAT), new vehicle registration fee (£55.00) and number plates (£25.00 incl. VAT). VAT is calculated at the standard rate of 20%



Model line	Engine	Transmission	CO ₂ ^{1*}	Basic RRP excl. VAT (£)	Total RRP incl. VAT (£)	Road Fund Licence (£) ²	Rec. OTR price (£) ³	P11D value (£)	BiK tax rate 2020/21 (%)
AMG Line Premium Plus	B 180 d Diesel – 1,461 cc, 4-cylinder, 116 hp/85 kW	7G-DCT 7-speed automatic	101	28,245.83	33,895.00	170.00	34,860.00	34,635.00	29
	B 200 d Diesel – 1,950 cc, 4-cylinder, 150 hp/110 kW	8G-DCT 8-speed automatic	112	29,329.17	35,195.00	170.00	36,160.00	35,935.00	27
	B 220 d Diesel – 1,950 cc, 4-cylinder, 190 hp/140 kW	8G-DCT 8-speed automatic	112	31,954.17	38,345.00	170.00	39,310.00	39,085.00	27
	B 180 Petrol – 1,332 cc, 4-cylinder, 136 hp/100 kW	7G-DCT 7-speed automatic	125	27,120.83	32,545.00	170.00	33,510.00	33,285.00	30
	B 200 Petrol – 1,332 cc, 4-cylinder, 163 hp/120 kW	7G-DCT 7-speed automatic	124	28,412.50	34,095.00	170.00	35,060.00	34,835.00	29
	B 250 Petrol – 1,991 cc, 4-cylinder, 224 hp/165 kW	7G-DCT 7-speed automatic	137	30,995.83	37,195.00	210.00	38,200.00	37,935.00	32

¹The indicated values were determined according to the prescribed measurement method – Worldwide Harmonised Light Vehicle Test Procedure (WLTP). Figures shown may include options which are not available in the UK.

*CO₂ figures have been converted into NEDC-equivalent values for use with the current VED and BiK tax legislation.

Figures shown are for comparability purposes; only compare with other cars tested to the same technical procedures. Figures may not reflect real life driving results, which will depend upon a number of factors including factory-fitted options, accessories fitted (post registration), variations in weather, driving styles and vehicle load. Further information about the test used to establish fuel consumption and CO₂ figures can be found at <http://www.mercedes-benz.co.uk/WLTP>

²B 200 d and B 220 d engines are RDE (Real Driving Emissions) Step 2 Certified (Euro 6d). This results in a lower VED and BiK rate as these engines will not be subject to the diesel surcharge. A different first year rate of Vehicle Excise Duty (Road Fund Licence) applies for new cars. Please refer to page 47 for the relevant rate for the second and subsequent years

³The recommended on-the-road price includes the Road Fund Licence applicable to the standard model plus delivery charge (£715.00 incl. VAT), new vehicle registration fee (£55.00) and number plates (£25.00 incl. VAT). VAT is calculated at the standard rate of 20%



Pricing summary for model and equipment lines

Model	Transmission	Recommended OTR price (£) ¹				
		Sport	Sport Executive	AMG Line Executive	AMG Line Premium	AMG Line Premium Plus
B 180 d	7G-DCT 7-speed automatic	27,360.00	28,860.00	30,360.00	33,360.00	34,860.00
B 200 d	8G-DCT 8-speed automatic	28,660.00	30,160.00	31,660.00	34,660.00	36,160.00
B 220 d	8G-DCT 8-speed automatic	-	-	34,810.00	37,810.00	39,310.00
B 180	7G-DCT 7-speed automatic	26,010.00	27,510.00	29,010.00	32,010.00	33,510.00
B 200	7G-DCT 7-speed automatic	27,560.00	29,060.00	30,560.00	33,560.00	35,060.00
B 250	7G-DCT 7-speed automatic	-	-	33,700.00	36,700.00	38,200.00

¹The recommended on-the-road price includes the Road Fund Licence applicable to the standard model plus delivery charge (£715.00 incl. VAT), new vehicle registration fee (£55.00) and number plates (£25.00 incl. VAT). VAT is calculated at the standard rate of 20%



> Book a test drive



> View offers



> Find a Retailer



> View the Range Guide

Colours and materials



Some of the model features, optional extras and colours shown may not be available, or may only be available in a different specification.



> Book a test drive



> View offers

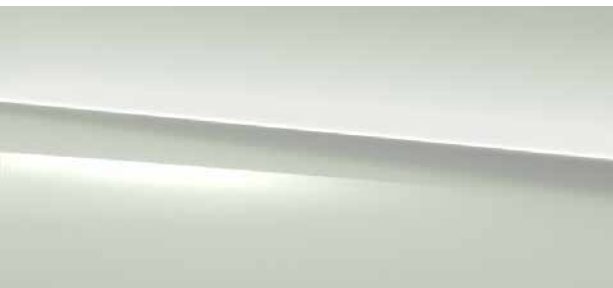


> Find a Retailer



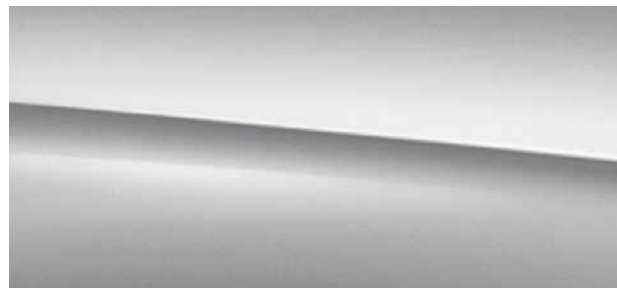
> View the Range Guide

Non-metallic and metallic paints (standard and optional)



149 polar white non-metallic

standard



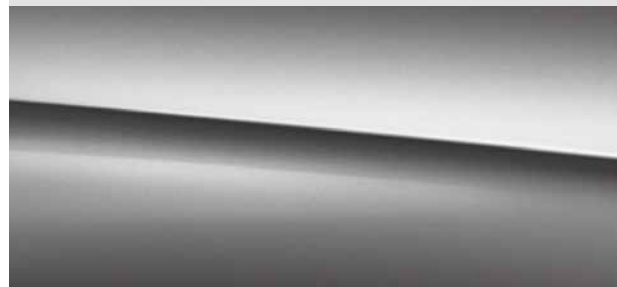
775 iridium silver metallic

Total incl. VAT £595.00



667 denim blue metallic

Total incl. VAT £595.00



787 mountain grey metallic

Total incl. VAT £595.00



191 cosmos black metallic

Total incl. VAT £595.00



859 mojave silver metallic

Total incl. VAT £595.00



993 designo patagonia red metallic

Total incl. VAT £795.00



> Book a test drive



> View offers

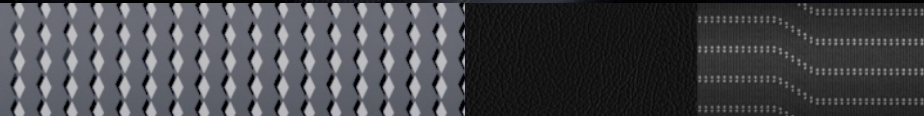


> Find a Retailer



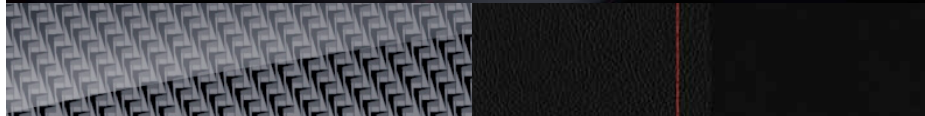
> View the Range Guide

Trim and upholstery



H60 spiral look | 321A ARTICO man-made leather/Fléron fabric upholstery (black)

Sport	●
Sport Executive	●
AMG Line Executive	-
AMG Line Premium	-
AMG Line Premium Plus	-



H62 carbon structure | 651A ARTICO man-made leather/DINAMICA microfibre (black/red)

Sport	-
Sport Executive	-
AMG Line Executive	●
AMG Line Premium	●
AMG Line Premium Plus	●



> Book a test drive



> View offers



> Find a Retailer



> View the Range Guide

Wheels



72R 17" alloy wheels (4) - 10-twin-spoke design, painted vanadium silver
205/55 tyres

Sport	●
Sport Executive	●
AMG Line Executive	-
AMG Line Premium	-
AMG Line Premium Plus	-



RQS 18" AMG alloy wheels (4) - 5-twin-spoke design, painted titanium grey with a high-shine finish
225/45 tyres

Sport	-
Sport Executive	-
AMG Line Executive	●
AMG Line Premium	●
AMG Line Premium Plus	●



Standard equipment list

Item	Sport	Sport Executive	AMG Line Executive	AMG Line Premium	AMG Line Premium Plus
Engine, Transmission and Suspension					
Cruise Control with Limiter	●	●	●	●	●
Driving modes – DYNAMIC SELECT with a choice of driving modes: Eco, Comfort, Sport and Individual	●	●	●	●	●
ECO start/stop function	●	●	●	●	●
Suspension – comfort suspension	●	●	–	–	–
Suspension – lowered comfort suspension (lowered by 15 mm rear and 20 mm front)	–	–	●	●	●
Rear axle – torsion beam Applicable to B 180 d, B 200 d, B 180, B 200. Also includes B 180 d AMG Line (all variants)	●	●	–	–	–
Rear axle – multi-link Applicable to B 200 d, B 220 d, B 180, B 200, B 220 4MATIC and B 250	–	–	●	●	●

Item	Sport	Sport Executive	AMG Line Executive	AMG Line Premium	AMG Line Premium Plus
Exterior					
Mirror package	–	●	●	●	●
AMG bodystyling – front apron, rear apron and side skirts	–	–	●	●	●
Beltline strips – chrome	●	●	●	●	●
Bodystyling – body-coloured side skirts	●	●	●	●	●
Brakes – front calipers with 'Mercedes-Benz' lettering	–	–	●	●	●
Brakes – perforated front brake discs Engines B 220 d and B 250 only	–	–	●	●	●
Bumpers – body-coloured	●	●	●	●	●
Door handles – body-coloured	●	●	●	●	●
Door mirrors – electrically adjustable and heated, with integrated LED indicators	●	●	●	●	●
Door sills – front door sills with 'Mercedes-Benz' lettering	●	●	●	–	–
Door sills – illuminated front door sills with 'Mercedes-Benz' lettering	–	–	–	●	●
EASY-PACK tailgate	●	●	●	●	●
Exhaust system – twin trapezoidal tailpipes in polished stainless steel	●	●	●	●	●
Glass – rear windscreen, heated with timer control	●	●	●	●	●
Lights – high-level third brake light, LED	●	●	●	●	●
Lights – LED High Performance headlamps with integrated LED daytime running lights	●	●	●	●	●
Lights – LED tail lamps and LED brake lights	●	●	●	●	●
Lights – MULTIBEAM LED headlamps with Adaptive Highbeam Assist Plus	–	–	–	–	●



Item	Sport	Sport Executive	AMG Line Executive	AMG Line Premium	AMG Line Premium Plus
Exterior (continued)					
Panoramic glass sunroof	-	-	-	-	●
Parking - Parking package	-	●	●	●	●
Parking - reversing camera with dynamic guidelines on media display, 180° view	●	●	●	●	●
Privacy glass	-	-	●	●	●
Radiator grille - diamond radiator grille with pins in black, silver-painted louvre and insert in chrome	●	●	-	-	-
Radiator grille - diamond radiator grille with pins in chrome, silver-painted louvre and insert in chrome	-	-	●	●	●
Summer tyres	●	●	●	●	●
Window line - chrome	●	●	●	●	●
Wiper system - rear windscreen wiper	●	●	●	●	●
Interior					
Air conditioning - air vents with surround in silver chrome	●	●	●	●	●
Air conditioning - THERMOTRONIC luxury automatic climate control, two-zone, with display	●	●	●	●	●
Armrest - front centre, with stowage	●	●	●	●	●
Armrest - rear centre, with two cup holders	●	●	●	●	●
Cup holder - twin, front	●	●	●	●	●
Floor mats - velour	●	●	-	-	-

Item	Sport	Sport Executive	AMG Line Executive	AMG Line Premium	AMG Line Premium Plus
Floor mats - with stitched 'AMG' lettering	-	-	●	●	●
Freight packaging without tie-down hooks	●	●	●	●	●
Instrument cluster - fluid level warning indicators for fuel, oil, coolant and washer	●	●	●	●	●
Instrument cluster - outside temperature display	●	●	●	●	●
Instrument cluster - service indicator ASSYST	●	●	●	●	●
Instrument cluster - trip computer in multifunction display with consumption indicator	●	●	●	●	●
Interior lighting - 64-colour ambient lighting	-	-	-	●	●
Interior lighting - Light and Sight package	●	●	●	●	●
KEYLESS-GO start function	●	●	●	●	●
Luggage net on driver's and front passenger's backrests	●	●	●	●	●
Owners Manual and Service Booklet - English	●	●	●	●	●
Pedals - brushed stainless steel sports pedals with rubber studs	-	-	●	●	●
Seats - Seat Comfort package	●	●	●	●	●
Seats - comfort seats with adjustable head restraints	●	●	-	-	-
Seats - heated front seats	●	●	●	●	●
Seats - rear seat backrests, split-folding (40:20:40)	●	●	●	●	●
Seats - rear seats with fore/aft adjustment	●	●	●	●	●
Seats - sport seats with adjustable head restraints	-	-	●	●	●
Spectacles compartment for driver	●	●	●	●	●



Item	Sport	Sport Executive	AMG Line Executive	AMG Line Premium	AMG Line Premium Plus
Interior (continued)					
Stowage – luggage compartment cover	●	●	●	●	●
Sun visor with illuminated vanity mirror	●	●	●	●	●
Touchpad on centre console	●	●	●	●	●
Windows – electric windows (4)	●	●	●	●	●
Steering					
Steering – Direct-Steer system	–	–	●	●	●
Steering – speed-sensitive power steering	●	●	●	●	●
Steering column – manually adjustable for height and reach	●	●	●	●	●
Steering wheel – shift paddles	●	●	–	–	–
Steering wheel – galvanised shift paddles	–	–	●	●	●
Steering wheel – multifunction sports steering wheel in leather with black topstitching and bezel in silver chrome	●	●	–	–	–
Steering wheel – 3-spoke multifunction sports steering wheel in nappa leather with flattened bottom section and perforated grip area	–	–	●	●	●

Item	Sport	Sport Executive	AMG Line Executive	AMG Line Premium	AMG Line Premium Plus
Paint, Trim and Upholstery					
Paint – non-metallic	●	●	●	●	●
Roof lining – black	●	●	●	●	●
Trim – spiral look	●	●	–	–	–
Trim – carbon structure	–	–	●	●	●
Upholstery – ARTICO man-made leather/Fléron fabric in black	●	●	–	–	–
Upholstery – ARTICO man-made leather/DINAMICA microfibre upholstery in black with red contrast stitching	–	–	●	●	●
Safety and Assistance Systems					
Active Brake Assist – with autonomous braking intervention	●	●	●	●	●
Active bonnet – pedestrian safety measure which detects an impact and raises bonnet by 65 mm	●	●	●	●	●
Active Lane-keeping Assist	●	●	●	●	●
Airbags – dual-stage, driver and front passenger	●	●	●	●	●
Airbags – headbags and sidebags for driver and front passenger	●	●	●	●	●
Airbags – kneebag for driver	●	●	●	●	●
Airbags – windowbags for driver and front passenger	●	●	●	●	●



Item	Sport	Sport Executive	AMG Line Executive	AMG Line Premium	AMG Line Premium Plus
Safety and Assistance Systems (continued)					
Alarm system with immobiliser and interior protection – Thatcham category 1 (T1)	●	●	●	●	●
ATTENTION ASSIST	●	●	●	●	●
Braking – Adaptive Brake Assist with HOLD function and Hill Start Assist	●	●	●	●	●
Braking – adaptive brake lights	●	●	●	●	●
Braking – anti-lock braking system (ABS) with Brake Assist (BAS)	●	●	●	●	●
Braking – brake-pad wear warning indicator	●	●	●	●	●
Braking – electric parking brake	●	●	●	●	●
Crash-responsive emergency lighting	●	●	●	●	●
Electronic Stability Programme (ESP®) with Acceleration Skid Control (ASR)	●	●	●	●	●
ESP® Curve Dynamic Assist	●	●	●	●	●
First-aid kit and warning triangle	●	●	●	●	●
Headlamp Assist – automatic headlamp activation	●	●	●	●	●
Lamp failure indicator	●	●	●	●	●
Locking – childproof rear doors (manually operated) and rear electric windows (electrically operated)	●	●	●	●	●
Locking – KEYLESS-GO (lock/unlock)	–	–	–	●	●
Locking – remote central locking and crash sensor with emergency opening function	●	●	●	●	●

Item	Sport	Sport Executive	AMG Line Executive	AMG Line Premium	AMG Line Premium Plus
Pre-installation for Trailer Coupling	–	–	–	●	●
Rain-sensing windscreen wipers with two sensitivity settings	●	●	●	●	●
Rear fog lamp	●	●	●	●	●
Seat belts – three-point, rear (3)	●	●	●	●	●
Seats – automatic child seat recognition sensor (pressure sensor)	●	●	●	●	●
Seats – front and rear seat belt reminder	●	●	●	●	●
Seats – front passenger seat occupancy sensor	●	●	●	●	●
Seats – ISOFIX and top-tether child seat fixing points in rear (two outer seats)	●	●	●	●	●
Speed Limit Assist	●	●	●	●	●
Traffic Sign Assist	–	–	–	–	●
Tyres – TIREFIT tyre-sealant kit	●	●	●	●	●
Tyres – tyre pressure monitoring system	●	●	●	●	●



Item	Sport	Sport Executive	AMG Line Executive	AMG Line Premium	AMG Line Premium Plus
Communications and In-Car Entertainment					
Augmented reality navigation	-	-	-	●	●
DAB digital radio tuner	●	●	●	●	●
Dual Bluetooth® interface, two USB (type C) ports	●	●	●	●	●
GPS aerial	●	●	●	●	●
Hard-disk navigation	●	●	●	●	●
“Hey Mercedes” voice activation	●	●	●	●	●
Instrument display – 7-inch digital display	●	●	●	-	-
Instrument display – 10.25-inch digital display	-	-	-	●	●
Live Traffic Information (free for first three years)	●	●	●	●	●
MBUX multimedia system ¹	●	●	●	●	●
Media display – 7-inch touchscreen display	●	-	-	-	-
Media display – 10.25-inch touchscreen display	-	●	●	●	●
Mercedes me connect (standard services) Including emergency call system (eCall), accident recovery, breakdown and maintenance management	●	●	●	●	●
Owners manual in English	●	●	●	●	●

Item	Sport	Sport Executive	AMG Line Executive	AMG Line Premium	AMG Line Premium Plus
Pre-installation for private car sharing	●	●	●	●	●
Pre-installation for Vehicle Setup	●	●	●	●	●
Pre-installation for Vehicle Monitoring	●	●	●	●	●
Smartphone integration ² including Apple CarPlay™ and Android Auto™	-	●	●	●	●
Sound system – Mercedes-Benz advanced sound system, 225 W	-	-	-	●	●
Sound system – Mercedes-Benz sound system, 100 W	●	●	●	-	-
Wireless charging ²	-	●	●	●	●



Optional equipment

Item	Notes		Sport	Sport Executive	AMG Line Executive	AMG Line Premium	AMG Line Premium Plus	Basic RRP excl. VAT (£)	Total RRP incl. VAT (£)
Paint, Trim and Upholstery									
Paint - metallic		1	<input type="radio"/>	<input type="radio"/>	<input type="radio"/>	<input type="radio"/>	<input type="radio"/>	495.83	595.00
Paint - designo patagonia red metallic		933	<input type="radio"/>	<input type="radio"/>	<input type="radio"/>	<input type="radio"/>	<input type="radio"/>	662.50	795.00
Service Package									
ServiceCare ServiceCare allows you to spread the cost of servicing your new car in the Mercedes-Benz Retailer network. Taking out a ServiceCare plan ensures your servicing needs are taken care of by fully trained Mercedes-Benz Technicians with the added benefit of a Mercedes-Benz service history	Price is based on a monthly rate. Example given is for two services taken over 24 months; three services over 36 months; or four services over 48 months. Further payment options are available. New ServiceCare prices apply only to vehicles up to 12 months old prior to first service	1	<input type="radio"/>	<input type="radio"/>	<input type="radio"/>	<input type="radio"/>	<input type="radio"/>	24.17	29.00



Genuine Accessories

We've developed a range of Accessories you can add to help personalise and enhance your B-Class. Your local Mercedes-Benz Retailer can advise on fitting costs of Accessories, where applicable. Further information on our full range of Genuine Accessories can be found **here** on the Mercedes-Benz Cars UK website.

01 | Concertina load sill protector (A2536932000)

The concertina load sill protector prevents the bumper and boot sill from become scratched. The protector can be attached via hooks to the lifting eyes or can be attached via a velcro strip to the reversible mat or roof box. Simple and versatile.

RRP £41.50 (incl. VAT)

02 | Shallow boot tub (A2478140000)

The shape of the tub, with its slightly raised edge, is optimally tailored to the load area.

Very robust – made from impact-resistant, non-split polypropylene. The structured surface prevents the load from sliding around, and makes it easy to secure the optional stowage crate.

RRP £89.40 (incl. VAT)

03 | Coolbox (A0008204206)

Warm and cool at your convenience with the Mercedes-Benz cool box. Cooling as low as -2° C and with a capacity of 24 litres this serves as the perfect travel companion. The cool box is powered via the cigarette lighter or a 12-volt socket and can be secured in the vehicle via the carrying strap.

RRP £170.50 (incl. VAT)





> Book a test drive



> View offers



> Find a Retailer



> View the Range Guide

04 | Head restraint modular system

Carefree travel with Mercedes-Benz Style & Travel Equipment. The head restraint elements are simple to fit and remove. The modular system centres around a base support which can be combined with a coat hanger, universal hook, folding table and tablet mount.

Base support (A0008103300):

RRP £23.64 (incl. VAT)

Coat hanger (A0008103400):

RRP £67.60 (incl. VAT)

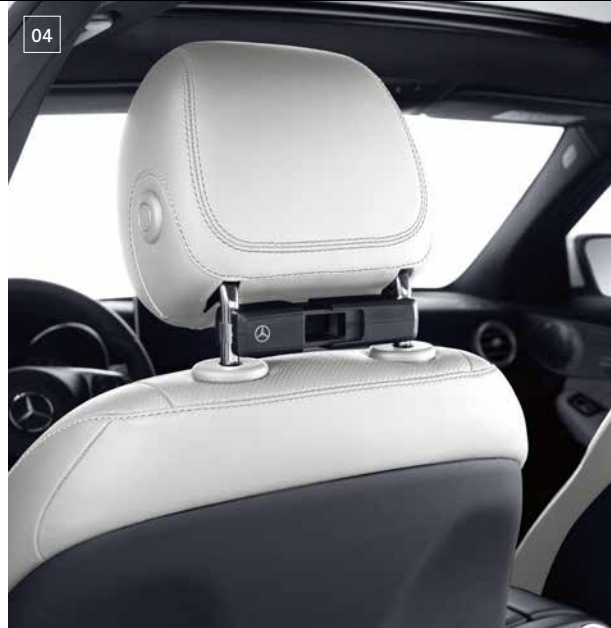
Folding table (A0008160000):

RRP £108.60 (incl. VAT)

Bag hook (A0008140000):

RRP £28.00 (incl. VAT)

Speak to your local Retailer for offers and discounts on these products.





> Book a test drive



> View offers



> Find a Retailer



> View the Range Guide

05



05 | BABY-SAFE plus II child seat, with ISOFIX (A0009701302)

Suitable for children up to around 15 months of age (up to 13 kg), the seat features automatic child seat recognition and standard automatic airbag shutoff for use on the front passenger seat with airbag. The ISOFIX attachment system comes as standard; but can be used with vehicle's three-point seat belt as an alternative.

RRP £309.75 (incl. VAT)

06



06 | DUO plus child seat, with ISOFIX (A0009701702)

Suitable for children between the ages of 9 months to 4 years (9 to 18 kg), the seat offers optimum protection in the event of an accident. Sitting, reclining and sleeping positions are adjustable with one simple manoeuvre. A system that grows along with your child: the harness height is easy to adjust in seven stages – with central, one-pull belt length adjustment.

RRP £362.25 (incl. VAT)

07



07 | KIDFIX XP child seat, with ISOFIX (A0009702302)

Suitable for children between the ages of 3.5–12 years (15–36 kg) and securely attached to the vehicle by means of ISOFIX or the vehicle seat belt. The seat's strengths include its exemplary side impact protection, courtesy of the energy-absorbing XP-PAD, which reduces impact in the event of a collision. Large, padded side wings also enhance side impact protection. Adjustable belt guides and headrest allow the seat to grow with your child.

RRP £368.50 (incl. VAT)



> Book a test drive



> View offers



> Find a Retailer



> View the Range Guide

08

09



Genuine Accessories

39

08 | Basic carrier bars (A2478902900)

Aluminium carrier bars, precision-tailored to the body of your Mercedes-Benz – the perfect basis for a range of Mercedes-Benz transport solutions: ski and snowboard rack, bicycle rack or roof boxes.

RRP £249.60 (incl. VAT)

09 | Mercedes-Benz roof boxes (part numbers vary)

An aerodynamic design, tailored to your Mercedes-Benz. In extremely durable material. Designed for quick, optimised attachment to the basic carrier bars. Particularly convenient loading and unloading thanks to the option of double-sided opening. Lockable from both sides. Available in various sizes.

RRP from £361.50 (incl. VAT)

10



10 | Bicycle rack (A0008900293)

Easy to use, convenient and lightweight. Bicycles can be attached at ground level before the rack is fitted. Up to three bicycle carriers can be fitted at one time. The alustyle cycle carrier is designed for the new alustyle basic carrier bars, making your life easier, with know-how from Mercedes-Benz.

RRP £121.00 (incl. VAT)



Technical data

		Petrol engines		
Model		B 180	B 200	B 250
Engine				
Total displacement	cc	1,332	1,332	1,991
Arrangement/cylinders/valves		in-line/4/16	in-line/4/16	in-line/4/16
Power ¹	hp (kW) at rpm	136 (100)/5,500 ±1.5%	163 (120)/5,500 ±1.5%	224 (165)/5,500
Torque ¹	Nm at rpm	200/1,460	250/1,620	350/1,800
Transmission				
7G-DCT 7-speed automatic		●	●	●
8G-DCT-8-Speed automatic		-	-	-
Performance				
		auto.	auto.	auto.
Acceleration 0-62 mph	sec	9.0	8.2	6.4
Top speed	mph	132	139	155



Model	Petrol engines		
	B 180	B 200	B 250
Weights and capacities	auto.	auto.	auto.
Kerb weight	kg 1,405	1,410	1,495
Perm. Gross Vehicle Weight	kg 1,955	1,960	2,040
Towing capacity – unbraked	700	705	745
braked	kg 1,400	1,600	1,600
Boot capacity (seats up/down)	l 455/1,540	455/1,540	455/1,540
Fuel tank capacity/of which reserve	l 43/5	43/5	43/5
Turning circle	m 11.0	11.0	11.0
Fuel consumption^{2,3,4}	auto.	auto.	auto.
Combined (consumption dependent on l/100km chosen optional equipment)	mpg 5.4 52.3	5.4 52.3	6.0 47.1

²All figures are based on a standard specification with the smallest tyre size ³The choice of wheels and transmission may affect CO₂ emissions and corresponding Road Fund Licence

⁴The indicated values were determined according to the prescribed measurement method – Worldwide Harmonised Light Vehicle Test Procedure (WLTP). Figures shown may include options which are not available in the UK
Figures shown are for comparability purposes; only compare with other cars tested to the same technical procedures. Figures may not reflect real life driving results, which will depend upon a number of factors including factory-fitted options, accessories fitted (post registration), variations in weather, driving styles and vehicle load. Further information about the test used to establish fuel consumption and CO₂ figures can be found at <http://www.mercedes-benz.co.uk/WLTP>



Model	Petrol engines		
	B 180	B 200	B 250
CO ₂ emissions ^{3,4,*}	g/km auto.	g/km auto.	g/km auto.
Emissions standard	EU6	EU6	EU6
17" alloy wheels (205/55 tyres)	125	124	-
18" alloy wheels (225/45 tyres)	125	124	137

Insurance

Group rating	22-23	25-26	31
--------------	-------	-------	----

Insurance ratings may vary depending on model line and specification. Please refer to <http://www.thatcham.org/abigrouprating/> for further details

³The choice of wheels and transmission may affect CO₂ emissions and corresponding Road Fund Licence

⁴The indicated values were determined according to the prescribed measurement method - Worldwide Harmonised Light Vehicle Test Procedure (WLTP). Figures shown may include options which are not available in the UK

*CO₂ figures have been converted into NEDC-equivalent values for use with the current VED and BIK tax legislation.

Figures shown are for comparability purposes; only compare with other cars tested to the same technical procedures. Figures may not reflect real life driving results, which will depend upon a number of factors including factory-fitted options, accessories fitted (post registration), variations in weather, driving styles and vehicle load. Further information about the test used to establish fuel consumption and CO₂ figures can be found at <http://www.mercedes-benz.co.uk/WLTP>



		Diesel engines		
Model		B 180 d	B 200 d	B 220 d
Engine				
Total displacement	cc	1,461	1,950	1,950
Arrangement/cylinders/valves		in-line/4/8	in-line/4/16	in-line/4/16
Power ¹	hp (kW) at rpm	116 (85)/4,000	150 (110)/3,400-4,400	190 (140)/3,800
Torque ¹	Nm at rpm	260/1,750-2,750	320/1,400-3,200	400/1,600-2,600
Transmission				
7G-DCT 7-speed automatic		●	-	-
8G-DCT 8-speed automatic		-	●	●
Performance				
		auto.	auto.	auto.
Acceleration 0-62 mph	sec	10.7	8.3	7.2
Top speed	mph	124	136	145



Model		Diesel engines			
		B 180 d	B 200 d	B 200 d	B 220 d
Weights and capacities		man.	auto.	auto.	auto.
Kerb weight	kg	1,465	1,485	1,535	1,545
Perm. Gross Vehicle Weight	kg	2,000	2,010	2,055	2,080
Towing capacity – unbraked	kg	730	740	750	750
braked		1,400	1,400	1,600	1,600
Boot capacity (seats up/down)	l	445/1,530	445/1,530	445/1,530	445/1,530
Fuel tank capacity/of which reserve	l	43/5	43/5	43/5	43/5
Turning circle	m	11.0	11.0	11.0	11.0
Fuel consumption^{2,3,4}		man.	auto.	auto.	auto.
Combined (consumption dependent on chosen optional equipment)	l/100km	3.8	3.8	4.2	4.3
	mpg	74.3	74.3	67.3	65.7

²All figures are based on a standard specification with the smallest tyre size ³The choice of wheels and transmission may affect CO₂ emissions and corresponding Road Fund Licence

⁴The indicated values were determined according to the prescribed measurement method – Worldwide Harmonised Light Vehicle Test Procedure (WLTP). Figures shown may include options which are not available in the UK. Figures shown are for comparability purposes; only compare with other cars tested to the same technical procedures. Figures may not reflect real life driving results, which will depend upon a number of factors including factory-fitted options, accessories fitted (post registration), variations in weather, driving styles and vehicle load. Further information about the test used to establish fuel consumption and CO₂ figures can be found at <http://www.mercedes-benz.co.uk/WLTP>. B 200 d and B 220 d engines are RDE (Real Driving Emissions) Step 2 Certified (Euro 6d). This results in a lower VED and BIK rate as these engines will not be subject to the diesel surcharge



Model		Diesel engines		
		B 180 d	B 200 d	B 220 d
CO ₂ emissions ^{3,4,*}	g/km	auto.	auto.	auto.
Emissions standard		EU6	EU6	EU6
17" alloy wheels (205/55 tyres)		101	112	-
18" alloy wheels (225/45 tyres)		101	112	112

Insurance

Group rating	19-20	25-26	29-30
--------------	-------	-------	-------

Insurance ratings may vary depending on model line and specification. Please refer to <http://www.thatcham.org/abigrouprating/> for further details

³The choice of wheels and transmission may affect CO₂ emissions and corresponding Road Fund Licence

⁴The indicated values were determined according to the prescribed measurement method - Worldwide Harmonised Light Vehicle Test Procedure (WLTP). Figures shown may include options which are not available in the UK

*CO₂ figures have been converted into NEDC-equivalent values for use with the current VED and BIK tax legislation.

Figures shown are for comparability purposes; only compare with other cars tested to the same technical procedures. Figures may not reflect real life driving results, which will depend upon a number of factors including factory-fitted options, accessories fitted (post registration), variations in weather, driving styles and vehicle load. Further information about the test used to establish fuel consumption and CO₂ figures can be found at <http://www.mercedes-benz.co.uk/WLTP>

B 200 d and B 220 d engines are RDE (Real Driving Emissions) Step 2 Certified (Euro 6d). This results in a lower VED and BIK rate as these engines will not be subject to the diesel surcharge



> Book a test drive



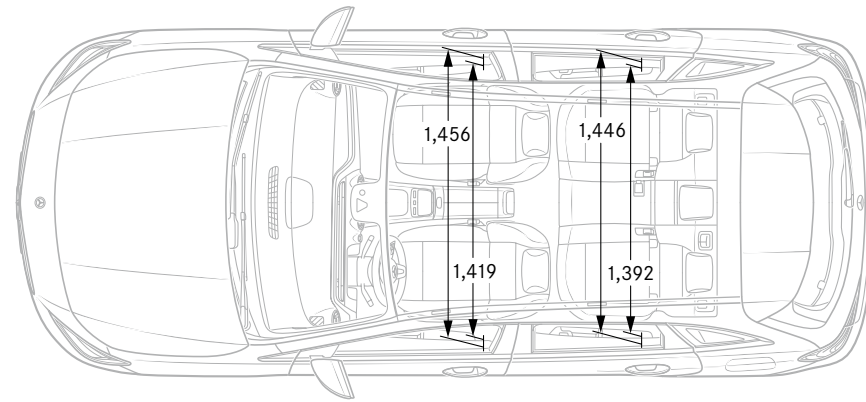
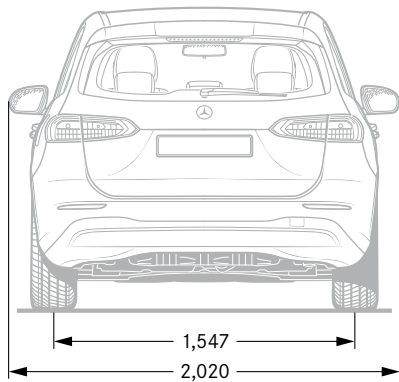
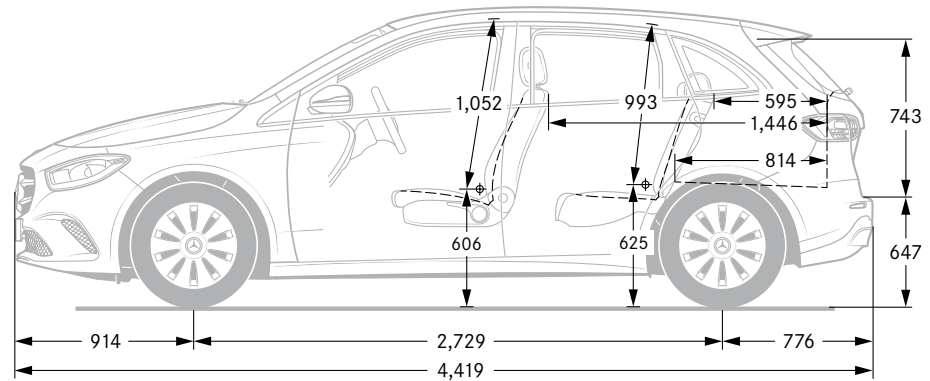
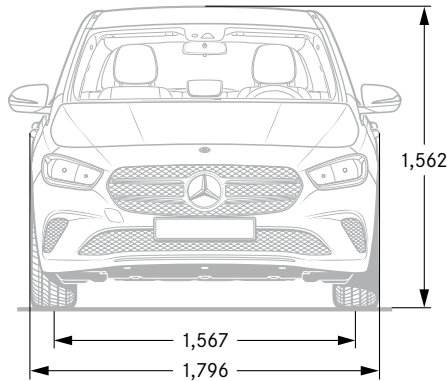
> View offers



> Find a Retailer



> View the Range Guide



All measurements in millimetres. The dimensions shown are mean values and apply to standard-specification, unladen vehicles. Dimensions may vary slightly depending on the engine. Please consult your Retailer for further information. The figures on pages 43-46 are correct at time of publication. Please refer to the government website for latest data - <http://carfueldata.direct.gov.uk/>



Road Fund Licence



All road vehicle registrations are subject to Vehicle Excise Duty (Road Fund Licence), which varies in accordance with the vehicle's CO₂ emissions. A first year rate for each taxation band will apply. The table below shows the bands (A–M) created by the DVLA and the corresponding Road Fund Licence. CO₂ emissions are listed in the technical data on pages 42 and 45, and the relevant Excise Duty is reflected in the on-the-road prices on page 21.

Band	CO ₂ emissions (g/km)	First year rate petrol and RDE2 diesel (£)	First year rate all other diesel (£) ¹	First year rate alternative fuel (£)	Standard rate (£)	Premium rate (£) ²
A	0	0.00	0.00	0.00	0.00	320.00
B	1 to 50	10.00	25.00	0.00	145.00	465.00
C	51 to 75	25.00	110.00	15.00	145.00	465.00
D	76 to 90	110.00	130.00	100.00	145.00	465.00
E	91 to 100	130.00	150.00	120.00	145.00	465.00
F	101 to 110	150.00	170.00	140.00	145.00	465.00
G	111 to 130	170.00	210.00	160.00	145.00	465.00
H	131 to 150	210.00	530.00	200.00	145.00	465.00
I	151 to 170	530.00	855.00	520.00	145.00	465.00
J	171 to 190	855.00	1,280.00	845.00	145.00	465.00
K	191 to 225	1,280.00	1,815.00	1,270.00	145.00	465.00
L	226 to 255	1,815.00	2,135.00	1,805.00	145.00	465.00
M	over 255	2,135.00	2,135.00	2,125.00	145.00	465.00

Some of the model features, optional extras and colours shown may not be available, or may only be available in a different specification.

¹Applies to all Mercedes-Benz diesel models which do not comply with RDE (Real Driving Emissions) Step 2 Certified (Euro 6d)

²Premium rate only applicable to vehicles where the list price is over £40,000 including any factory-fitted options, standard UK delivery charge, number plates, fuel and VAT



> Book a test drive



> View offers



> Find a Retailer



> View the Range Guide

Services and insurance

Mercedes-Benz ServiceCare

We believe that servicing costs should be as flexible and affordable as possible for your B-Class, which is why we offer ServiceCare, an easy way to budget for all your servicing costs. It spreads your bills into manageable payments based on whether you have a new or used Mercedes-Benz.

With ServiceCare we guarantee the price of parts and labour for up to four services and safeguard against any further inflation. It also covers the cost of any additional items including brake fluid, spark plugs, air filters, fuel filters and screen wash.

You can choose either to add your servicing costs into your monthly spend or pay the full amount in a one-off payment, giving you peace of mind that they are taken care of for the period of the plan.

To receive a personalised ServiceCare plan recommendation visit the ServiceCare Calculator at servicecarerates.mercedes-benz.co.uk

Warranty and breakdown cover

Every Mercedes-Benz comes with a three-year unlimited mileage warranty against manufacturing or material defects¹ and up to 30 years warranty against perforation due to corrosion from the inside out.² What's more, it's also covered by Mercedes-Benz Roadside Assistance – a unique package comprising up to 30 years pan-European breakdown assistance.²

Motor Insurance

Superb cover comes as standard. When reviewed by an independent research company, Defaqto, Mercedes-Benz Motor Insurance received a five-star rating, the highest rating available. We design our Motor Insurance specifically for Mercedes-Benz drivers.

For more information or to obtain a quote, click [here](#).



Mercedes-Benz Finance

Why should you finance with Mercedes-Benz?

At Mercedes-Benz we believe a great driving experience should be matched by an equally great ownership experience. That is why we put just as much thought, time and effort into designing our finance options, our service plans and our insurance cover as we do into our vehicles.

We are not in the business of simply providing a loan to fund the purchase of your dream vehicle. We look on it as a journey that we take with you, from the moment you choose your new Mercedes-Benz, to helping you in choosing your next one.

If you would like to find out more about any of our current offers, simply call into your local Mercedes-Benz Retailer where one of our Business Managers will be more than happy to talk you through anything you need to know.

Helping you find the right solution.

You should find our finance packages are more convenient than a traditional personal loan because:

- Funds are immediately available – no waiting for cheques or loans to clear.
- There is no security required – either against your home or other assets.
- We have clear and transparent rates – the APR we quote is the APR you get.
- We have friendly Business Managers – experts in vehicle finance who can talk you through all of your plans in detail.

One of our most popular finance products is Mercedes-Benz Agility (our Personal Contract Purchase product). We also offer Contract Hire, Operating Lease and Hire Purchase solutions. If you would like to find out more about these speak to your Retailer or visit www.mercedes-benz.co.uk/fandi.

Mercedes-Benz Agility (our PCP product).

At the start of an Agility agreement, you put down a deposit and decide the term of your agreement and your annual mileage. You will be advised of the Guaranteed Future Value, which offers you the reassurance of knowing exactly what you will need to pay to own the vehicle outright in the future (this is known as the Optional Purchase Payment).

Throughout your agreement you simply pay your agreed monthly payments and when the agreement comes to an end you either purchase, hand back or part-exchange your vehicle.





Agility features:

- Fixed regular payments mean you can easily budget.
- Payments are based only on a proportion of the vehicle's value, keeping your monthly payments lower.
- Our Guaranteed Future Value avoids the risk of unplanned depreciation of your vehicle.
- You defer your ownership decision until the end of the agreement.

At the end of your agreement you have three options to choose from.

Option 1: Purchase your Mercedes-Benz.

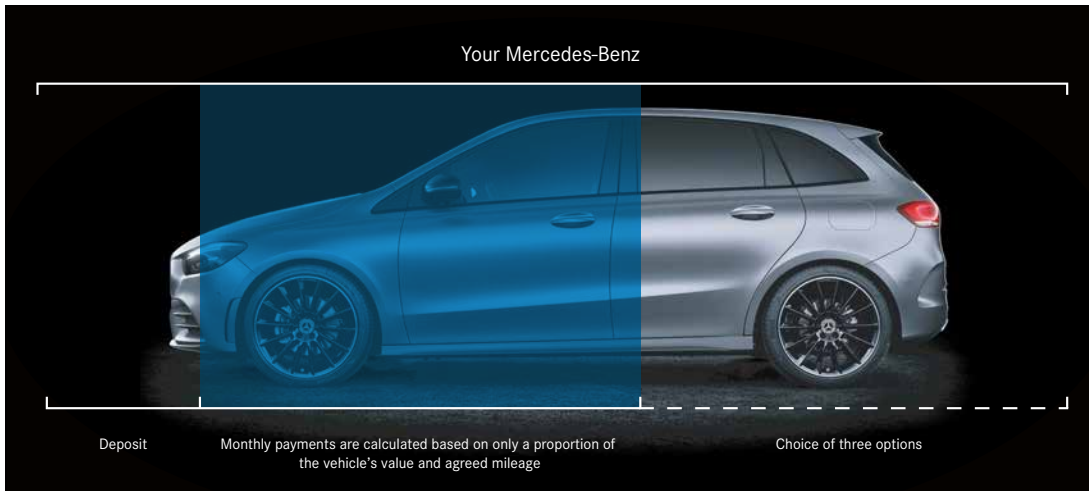
Purchase your Mercedes-Benz by paying the Optional Purchase Payment and Purchase Activation Fee.¹ This will complete the purchase of your Mercedes-Benz, leaving you free to simply enjoy your vehicle.

Option 2: Hand back your Mercedes-Benz.

If you decide to return your vehicle to us, it must be in line with our Vehicle Return Standards,^{*} as vehicle condition, excess mileage and other charges may be payable.

Option 3: Part-Exchange for a new vehicle.

Purchase your Mercedes-Benz by paying the Optional Purchase Payment and Purchase Activation Fee.¹ This will complete the purchase of your Mercedes-Benz, leaving you free to part-exchange for a new vehicle.



¹Please note the 'Purchase Activation Fee' of £10 will be debited from your account *To find out more information about our Vehicle Return Standards please visit <http://mercedes-benz.co.uk/vrs>



> [Book a test drive](#)



> [View offers](#)



> [Find a Retailer](#)



> [View the Range Guide](#)

Follow us on the following social media channels:



facebook.com/mercedesbenz



twitter.com/mercedesbenz



youtube.com/mercedesbenz



instagram.com/mercedesbenz

Effective from December 2019 Production. Information correct at time of publication.

Prices and specifications are subject to change without prior notice.

MBW247PL/1119 MY800.5

Mercedes-Benz Cars UK Limited, Tongwell, Milton Keynes, MK15 8BA. Company number 2448457. www.mercedes-benz.co.uk