



> Keep me updated



> Find a Retailer

GLB



Effective from December 2019 Production.

Mercedes-Benz





> Keep me updated



> Find a Retailer

Contents

6 Standard equipment overview	23 Pricing summary for model and equipment lines	39 Technical data
7 Introducing MBUX	24 Colours and materials	44 Road Fund Licence
8 Mercedes me	27 Wheels	45 Services and insurance
10 Model lines	28 Standard equipment	46 Mercedes-Benz Finance
22 Model prices	34 Genuine Accessories	



> Keep me updated



> Find a Retailer



Some of the model features, optional extras and colours shown may not be available, or may only be available in a different specification.



> Keep me updated



> Find a Retailer

4



Some of the model features, optional extras and colours shown may not be available, or may only be available in a different specification.



> Keep me updated



> Find a Retailer

5



Some of the model features, optional extras and colours shown may not be available, or may only be available in a different specification.



> Keep me updated



> Find a Retailer

Standard equipment overview



KEYLESS-GO starting function



Polished aluminum roof rails



LED High Performance headlamps



Heated front seats



7-inch touchscreen media display



EASY-PACK tailgate



> Keep me updated



> Find a Retailer

Introducing MBUX



Using the touchpad you can control the display of the multimedia system



Multi-gesture touchpad control

Introducing MBUX, the brand new Mercedes-Benz User Experience infotainment system that can be controlled via voice and touch input. The new GLB joins other models to feature this innovative way of communicating with your Mercedes-Benz.

MBUX (Mercedes-Benz User Experience) infotainment system comprises:

Voice control

- Activated by the keywords “Hey Mercedes”, the new intelligent voice control LINGUATRONIC¹ lets you control many of the infotainment functions, including destination input, phone calls or music selection
- MBUX is able to understand different accents and will adjust to you over time
- MBUX even understands indirect commands. Feeling chilly? Just say “I feel cold” and MBUX will adjust the temperature for you

Personalisation

- Turn the new GLB into your very own Mercedes-Benz by personalising driving modes, radio stations, ambient lighting and much more
- Your personal settings can be saved in up to seven different profiles, making your driving experience the best one possible
- Thanks to artificial intelligence, MBUX is able to learn and adapt over time. It will be able to predict your personal habits, such as navigation for frequently-driven routes, or the radio station you like to listen to on your way home from work

Touch inputs

- Beside voice control you can operate MBUX via touchscreen, the touchpad on the centre console, as well as touch control buttons on the steering wheel
- The touchpad recognises your handwriting should you wish to enter addresses or phone numbers silently

Maintenance and service

- Wondering when the next service is due? Or how much further you can drive until you need to stop at a petrol station? Just ask your MBUX – it will tell you the answer

¹LINGUATRONIC off-board functions are currently only available for three years



> Keep me updated



> Find a Retailer

Mercedes me connect.

Stay connected, any time, anywhere.



Mercedes me is a range of innovative online services designed to enhance your Mercedes-Benz experience. Accessible via mobile, tablet or PC, Mercedes me lets you enjoy the highest standards of care and support, in a way that integrates seamlessly with your busy lifestyle.

Navigation Services (01U)

Standard with AMG Line Premium and AMG Line Premium Plus.
Visit the Mercedes me connect store for more information.

Infotainment

Visit the Mercedes me connect store or app for pricing.



Live Traffic Information¹

Your navigation system receives traffic data in real time, enabling it to optimise the dynamic route guidance, minimising drive time and offering more precise estimation of arrival times.



Available parking spaces

Locates parking spaces for you in multi-storey car parks and on the street. Saving you time and hassle.



connect Store

In the Mercedes me connect Store you can purchase many digital services designed to make your everyday life easier and provide useful information relating to your networked vehicle.



TIDAL

Love music? Get a 12-month TIDAL HiFi subscription free with Mercedes me connect (worth £240) and unlock access to 58 million songs.



Local Search

This feature provides support in the local search for restaurants or hotels and much more.



Send2Car

Make your journey easier: set your destination using the Mercedes me app and send it directly to your car's navigation system.



Internet Radio

Listen to podcasts and radio stations from anywhere in the world.



Private Car sharing

Carsharing gives you the opportunity to share your vehicle in a straightforward and safe way with third parties who you authorise.

For more information speak to your local Retailer or visit the Mercedes me connect store at shop.mercedes-benz.com/en-gb/connect

¹Free of charge for first three years. Extension possible, visit the Mercedes me connect store for details on pricing



> Keep me updated



> Find a Retailer

Mercedes me connect.

Stay connected, any time, anywhere.

Mercedes me

Mercedes me is a range of innovative online services designed to enhance your Mercedes-Benz experience. Accessible via mobile, tablet or PC, Mercedes me lets you enjoy the highest standards of care and support, in a way that integrates seamlessly with your busy lifestyle.

Vehicle Set-up (08U)

Pre-installation standard.

Visit the Mercedes me connect store for more information.

Vehicle Monitoring (09U)

Pre-installation standard.

Visit the Mercedes me connect store for more information.



Remote Vehicle Status

Check safety information, such as coolant level and brake pad condition, so you can be sure your car is safe and ready to drive.



Remote Door Locking/Unlocking

Lock and unlock your car remotely, wherever you are in the world.



Parked Vehicle Locator

Forgot where you parked your car? No problem: you can locate and track your car, with the Parked Vehicle Locator.



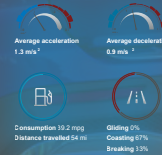
Vehicle Tracker

Track the location of your car anywhere in the world.



Personal Profile

Store your preferences, such as your favourite radio stations and apps, to create your personal driver profile.



ECO Display

Monitor your driving style with ECO Display. It summarises your driving style from the start of the journey to its completion to help you achieve the most economical way to drive.



Geo-fencing

Set up a geographical boundary and receive alerts whenever your car enters or leaves this area.

For more information speak to your local Retailer or visit the Mercedes me connect store at shop.mercedes-benz.com/en-gb/connect



> Keep me updated



> Find a Retailer

Sport (7 seats)

10





> Keep me updated



> Find a Retailer



7-inch touchscreen media display



Radiator grille – two single louvres painted in silver with chrome inserts



7-inch digital instrument display



More space means more versatility and plenty of options for you and your family. The 7-seater Sport¹ exterior features two single louvres painted in silver with chrome inserts, 18" 5-spoke alloy wheels, LED High Performance headlamps and polished aluminium roof rails. The interior reveals a third row with two seats, and a second row with fore/aft adjustment for greater

flexibility. There's a 7-inch digital instrument display and 7-inch touchscreen media display to manage your multimedia needs. The multifunction sports steering wheel in leather features gearshift paddles, while the comfort seats are fitted with black ARTICO man-made leather and Albury fabric. Plus, KEYLESS-GO makes starting as easy as child's play.

Engine, Transmission and Suspension

DYNAMIC SELECT with driving modes Eco, Comfort, Sport and Individual

Exterior

18" alloy wheels – 5-spoke design

Chrome weather strip and beltline strip in chrome

Radiator grille – two single louvres painted in silver with chrome inserts

Interior

Comfort seats with adjustable headrests

Heated front seats with three settings

Rear armrest with two cup holders

Seats – third row of seats for two people and second row rear seats with fore/aft adjustment

Steering wheel – multifunction sports steering wheel in leather with gearshift paddles

Velour floor mats

Safety and Assistance Systems

ATTENTION ASSIST – monitors steering behaviour and can help alert to long journey fatigue

Active Brake Assist – forward collision warning system with autonomous braking intervention

Active Lane Keeping Assist – if you cross a broken or continuous line unintentionally, the system can warn you via the vibrating steering wheel. With a continuous line, or if the lane behind a broken line has been detected as occupied, the assistant can intervene further with unilateral braking

Speed Limit Assist – via the camera it can detect the current speed limit and display it in the instrument cluster. Restrictive additional signs in particular weather situations such as wet conditions are also registered

Communication and In-Car Entertainment

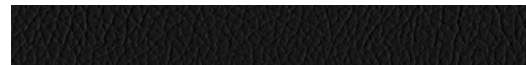
7-inch digital instrument display

7-inch touchscreen media display

Mercedes-Benz sound system (100 W) – with six speakers

Trim and Upholstery

ARTICO man-made leather/Albury fabric – black



Ellipse-look trim



OTR from **£34,200** incl. VAT²

¹7-seater Sport expected from February 2020 delivery

²The recommended on-the-road price includes the Road Fund Licence applicable to the standard model plus delivery charge (£715.00 incl. VAT), new vehicle registration fee (£55.00) and number plates (£25.00 incl. VAT). VAT is calculated at the standard rate of 20%



> Keep me updated



> Find a Retailer

AMG Line (7 seats)

13





> Keep me updated



> Find a Retailer



Multifunction sports steering wheel in nappa leather





> Keep me updated



> Find a Retailer

This 7-seater AMG Line¹ comes with all the hallmarks of AMG, including 19" AMG 5-twin-spoke alloy wheels, LED High Performance headlamps and AMG bodystyling. Rear privacy glass obscures the sophisticated interior with black ARTICO man-made leather/DINAMICA microfibre seats and red

contrast stitching, plus carbon-structure trim. Brushed stainless-steel sports pedals with black rubber applications and AMG floor mats add to the stylish atmosphere on board. Meanwhile, the 180° reversing camera takes the sting out of parking.

In addition/replacement to Sport:

Exterior

19" AMG alloy wheels – 5-twin-spoke design

AMG bodystyling – front apron with chrome splitter

AMG bodystyling – rear apron with diffuser look and trim element in chrome

AMG bodystyling – door panels in grained black with chrome plated insert

AMG bodystyling – rear bumper including underride guard in high-gloss chrome

Brake calipers with 'Mercedes-Benz' logo on front

Privacy glass – dark tinting on the rear side windows as well as the rear window. At the same time it protects the rear passengers and the interior from prying eyes and direct sunlight

Radiator grille – with pins in chrome, single louvre with chrome insert

Interior

AMG floor mats

Brushed stainless-steel sports pedals with black rubber applications

Rear armrest

Seats – sports seats with adjustable headrests

Steering wheel – flat-bottomed multifunction sports steering wheel in nappa leather with galvanised gearshift paddles

Trim and Upholstery

ARTICO man-made leather/DINAMICA microfibre – black with red contrast stitching



Carbon-structure trim



OTR from **£35,700.00²**
Upgrade price from Sport **£1,500**

¹7-seater AMG Line expected from February 2020 delivery

²The recommended on-the-road price includes the Road Fund Licence applicable to the standard model plus delivery charge (£715.00 incl. VAT), new vehicle registration fee (£55.00) and number plates (£25.00 incl. VAT). VAT is calculated at the standard rate of 20%



> Keep me updated



> Find a Retailer

16

AMG Line Premium (5 and 7 seats¹)





> Keep me updated



> Find a Retailer



10.25-inch digital instrument display and touchscreen media display



MBUX augmented reality for navigation



KEYLESS-GO Comfort package



> Keep me updated



> Find a Retailer

If you want to enhance the high-tech credentials of your Mercedes-Benz GLB, the AMG Line Premium is for you. It comes with illuminated door sill panels with 'Mercedes-Benz' lettering, Mirror package, Parking package and KEYLESS-GO Comfort package for an easy start to your journey. Inside you'll enjoy ambient lighting with 64 colours while the Mercedes-Benz

advanced sound system creates a superb audio experience. Use the 10.25-inch media display to manage intelligent features like the MBUX augmented reality for navigation, while ride info is neatly displayed in the 10.25-inch digital instrument cluster.

In addition/replacement to AMG Line:

Exterior

Mirror package – exterior mirrors fold in and out electrically and the driver can define whether the exterior mirrors are to be automatically folded in when vehicle is locked. The driver's side mirror and interior mirror automatically dim in response to glare and ambient light

Pre-installation for trailer coupling – a trailer coupling can be added at any stage to tow or to mount a cycle carrier¹

Interior

KEYLESS-GO Comfort package – providing keyless entry and hands-free access

Ambient lighting incl. 64 colours – individually-selectable static tones or dynamically-animated combined effects

Door sill panels with illuminated 'Mercedes-Benz' lettering

Safety and Assistance Systems

Parking package – includes reversing camera 180° view with Active Parking Assist with PARKTRONIC, front and rear parking sensors

Communication and In-Car Entertainment

MBUX augmented reality for navigation – a camera in the windscreen produces a live feed on the media display. Superimposed highlighted information, such as house numbers and street names, facilitates orientation at the destination

10.25-inch digital instrument digital and touchscreen media display – frameless bonded glass

Mercedes-Benz advanced sound system (225 W) – consists of 10 speakers, one central speaker, a speaker in each of the front and rear doors, a tweeter in each door and one sub-woofer bass box in the rear including a separate boost amplifier

Smartphone integration including Apple CarPlay™ and Android Auto™²

Wireless charging²

Trim and Upholstery

ARTICO man-made leather/DINAMICA microfibre – black with red contrast stitching



Carbon-structure trim



5 seats: OTR from **£42,200³**

7 seats: OTR from **£38,700⁴**

Upgrade price from AMG Line **£3,000**

¹Towbar is available to purchase from your local Mercedes-Benz Retailer ²Compatible mobile phone required

³The recommended on-the-road price includes the Road Fund Licence applicable to the standard model plus delivery charge (£715.00 incl. VAT), new vehicle registration fee (£55.00) and number plates (£25.00 incl. VAT). VAT is calculated at the standard rate of 20%

⁴7-seater AMG Line expected from February 2020 delivery



> Keep me updated



> Find a Retailer

19

AMG Line Premium Plus with Driving Assistance (7 seats)





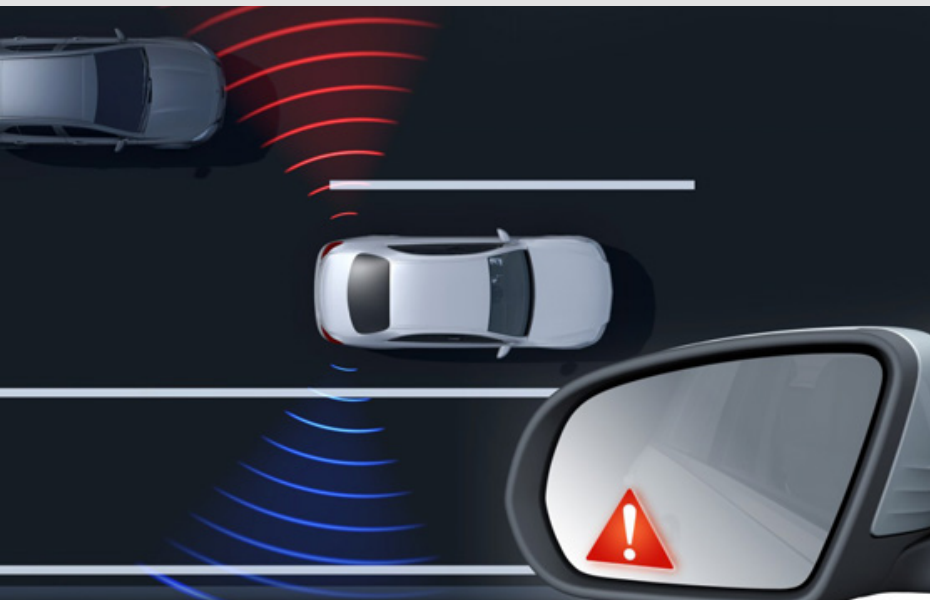
> Keep me updated



> Find a Retailer



Panoramic sunroof



Active Blind Spot Assist



MULTIBEAM LED headlamps with Adaptive Highbeam Assist Plus



The ultimate in Mercedes-Benz GLB equipment, the 7-seater AMG Line Premium Plus¹ adds a panoramic sunroof and MULTIBEAM LED headlamps with Adaptive Highbeam Assist Plus. To enhance seating comfort, you'll enjoy electrically adjustable front memory seats with lumbar support.

For added assistance on the road, you can rely on the Driving Assistance package with features like Traffic Sign Assist which alerts you to speed restrictions, as well as 'no-entry' and 'no-overtaking' signs.

In addition/replacement to AMG Line Premium:

Exterior

MULTIBEAM LED headlamps – with individually controllable LEDs react to the traffic situation. Partial main beam omits other road users without dazzling them. And the cornering light and active light functions illuminate the field of vision optimally so that you can detect dangers sooner. Whenever the Adaptive Highbeam Assist is not registering any vehicles in front or any oncoming traffic it switches the main beam on. This means that you can see the road surface or any hazards more clearly. What's more, you do not have to keep on changing over to low-beam headlamps

Panoramic sunroof – with electronic roller sun blind. Includes tilt position which adapts to vehicle speed in three stages and has convenience closing and automatic rain-sensor closing

Interior

Electrically adjustable front memory seats including lumbar support – ability to save three seat positions on both the driver and passenger side

Safety and Assistance Systems

Driving Assistance package

- Active Blind Spot Assist can warn the driver of vehicles in the blind spot during a lane change and can help to avoid a collision by means of one-sided braking intervention
- Active Braking Assist with congestion emergency braking function and cross-traffic function can help to avoid accidents with vehicles ahead, crossing traffic or pedestrians, and/or mitigate their consequences
- Active Distance Assist DISTRONIC helps the driver to maintain a safe distance to the vehicle in front and so relieves strain on the driver, especially on long journeys or in a traffic jam
- Active Steering Assist targeted steering intervention to prevent unintentional drifting out of lane
- Evasive Steering Assist can support the driver in making evasive manoeuvres if, in a dangerous situation, he/she moves to avoid any pedestrian detected by the system
- Exit warning function alerts occupants to passing traffic or pedestrians when leaving the vehicle
- Extended restart function on motorways

- PRE-SAFE® PLUS: when a rear-end collision threatens, PRE-SAFE® PLUS can initiate preventive measures, including warning following traffic and locking the brakes on standstill
- Route-based speed adjustment with end of tailback function: adaption of speed before curves, roundabouts and junctions
- Traffic Sign Assist is able to recognise and display speed limits, no-entry and no-overtaking signs, and highlight the end of such restrictions

Trim and Upholstery

ARTICO man-made leather/DINAMICA microfibre – black with red contrast stitching



Carbon-structure trim



OTR from **£41,700²**
Upgrade price from AMG Line Premium **£3,000**

¹7-seater AMG Line Premium Plus expected from February 2020 delivery

²The recommended on-the-road price includes the Road Fund Licence applicable to the standard model plus delivery charge (£715.00 incl. VAT), new vehicle registration fee (£55.00) and number plates (£25.00 incl. VAT). VAT is calculated at the standard rate of 20%



Model prices

Model line	Engine	Transmission	CO ₂ ^{1,*}	Basic RRP excl. VAT (£)	Total RRP incl. VAT (£)	Road Fund Licence (£) ²	Rec. OTR price (£) ³	P11D value (£)	BiK tax rate 2020/21 (%)
AMG Line Premium (5 seats)	GLB 220 d 4MATIC Diesel – 1,950 cc, 4-cylinder, 190 hp/140 kW	8G-TRONIC 8-speed automatic	135	34,329.17	41,195.00	210.00	42,200.00	41,935.00	32
Sport (7 seats)	GLB 200 Petrol – 1,332 cc, 4-cylinder, 163 hp/120 kW	7G-TRONIC 7-speed automatic	134	27,662.50	33,195.00	210.00	34,200.00	33,935.00	31
AMG Line (7 seats)	GLB 200 Petrol – 1,332 cc, 4-cylinder, 163 hp/120 kW	7G-TRONIC 7-speed automatic	134	28,912.50	34,695.00	210.00	35,700.00	35,435.00	31
	GLB 200 d Diesel – 1,950 cc, 4-cylinder, 150 hp/110 kW	8G-TRONIC 8-speed automatic	126	29,829.17	35,795.00	170.00	36,760.00	36,535.00	30
AMG Line Premium (7 seats)	GLB 200 Petrol – 1,332 cc, 4-cylinder, 163 hp/120 kW	7G-TRONIC 7-speed automatic	134	31,412.50	37,695.00	210.00	38,700.00	38,435.00	31
	GLB 200 d Diesel – 1,950 cc, 4-cylinder, 150 hp/110 kW	8G-TRONIC 8-speed automatic	126	32,329.17	38,795.00	170.00	39,760.00	39,535.00	30
	GLB 200 d 4MATIC Diesel – 1,950 cc, 4-cylinder, 150 hp/110 kW	8G-TRONIC 8-speed automatic	132	33,662.50	40,395.00	210.00	41,400.00	41,135.00	31
	GLB 220 d 4MATIC Diesel – 1,950 cc, 4-cylinder, 190 hp/140 kW	8G-TRONIC 8-speed automatic	135	34,954.17	41,945.00	210.00	42,950.00	42,685.00	32
AMG Line Premium Plus (7 seats)	GLB 200 Petrol – 1,332 cc, 4-cylinder, 163 hp/120 kW	7G-TRONIC 7-speed automatic	134	33,912.50	40,695.00	210.00	41,700.00	41,435.00	31
	GLB 200 d 4MATIC Diesel – 1,950 cc, 4-cylinder, 150 hp/110 kW	8G-TRONIC 8-speed automatic	132	36,162.50	43,395.00	210.00	44,400.00	44,135.00	31
	GLB 220 d 4MATIC Diesel – 1,950 cc, 4-cylinder, 190 hp/140 kW	8G-TRONIC 8-speed automatic	135	37,454.17	44,945.00	210.00	45,950.00	45,685.00	32

¹The indicated values were determined according to the prescribed measurement method – Worldwide Harmonised Light Vehicle Test Procedure (WLTP). Figures shown may include options which are not available in the UK

^{*}CO₂ figures have been converted into NEDC-equivalent values for use with the current VED and BiK tax legislation

Figures shown are for comparability purposes; only compare with other cars tested to the same technical procedures. Figures may not reflect real life driving results, which will depend upon a number of factors including factory-fitted options, accessories fitted (post registration), variations in weather, driving styles and vehicle load. Further information about the test used to establish fuel consumption and CO₂ figures can be found at <http://www.mercedes-benz.co.uk/WLTP>

²All engines are RDE (Real Driving Emissions) Step 2 Certified (Euro 6d). This results in a lower VED and BiK rate as these engines will not be subject to the diesel surcharge. A different first year rate of Vehicle Excise Duty (Road Fund Licence) applies for new cars.

Please refer to page 44 for the relevant rate for the second and subsequent years

³The recommended on-the-road price includes the Road Fund Licence applicable to the standard model plus delivery charge (£715.00 incl. VAT), new vehicle registration fee (£55.00) and number plates (£25.00 incl. VAT). VAT is calculated at the standard rate of 20%



Pricing summary for model and equipment lines

Model	Transmission	Recommended OTR price (£) ¹			
		Sport	AMG Line	AMG Line Premium	AMG Line Premium Plus
GLB 220 d 4MATIC (5 seats)	8G-TRONIC 8-speed automatic	-	-	42,200.00	-
GLB 200 (7 seats)	7G-TRONIC 7-speed automatic	34,200.00	35,700.00	38,700.00	41,700.00
GLB 200 d (7 seats)	8G-TRONIC 8-speed automatic	-	36,760.00	39,760.00	-
GLB 200 d 4MATIC (7 seats)	8G-TRONIC 8-speed automatic	-	-	41,400.00	44,400.00
GLB 220 d 4MATIC (7 seats)	8G-TRONIC 8-speed automatic	-	-	42,950.00	45,950.00

¹The recommended on-the-road price includes the Road Fund Licence applicable to the standard model plus delivery charge (£715.00 incl. VAT), new vehicle registration fee (£55.00) and number plates (£25.00 incl. VAT). VAT is calculated at the standard rate of 20%



> Keep me updated



> Find a Retailer

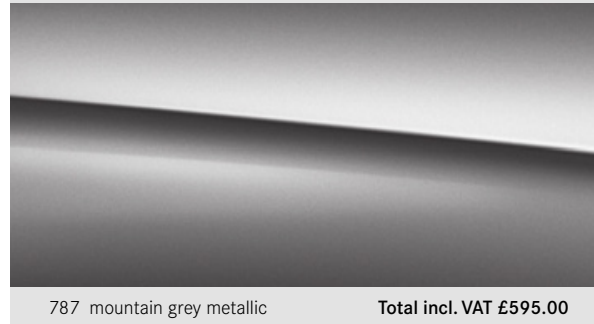
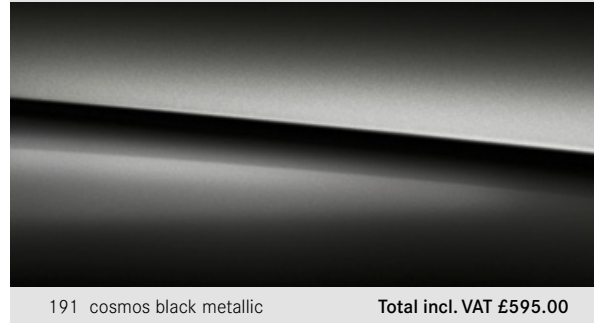
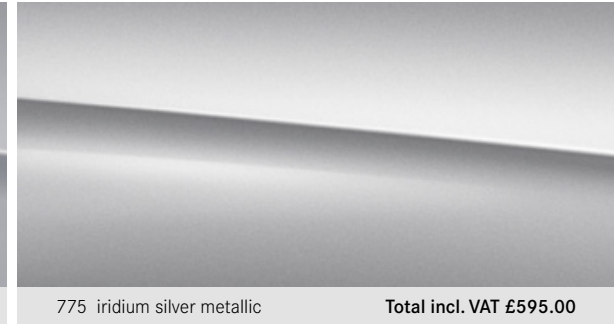
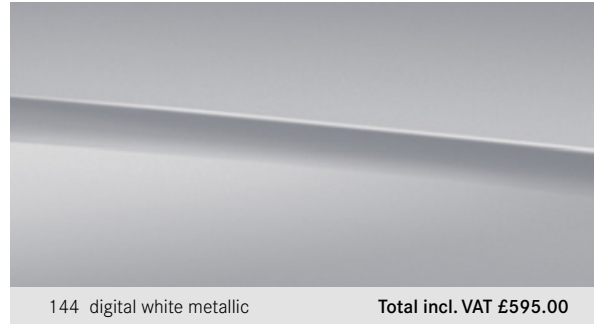
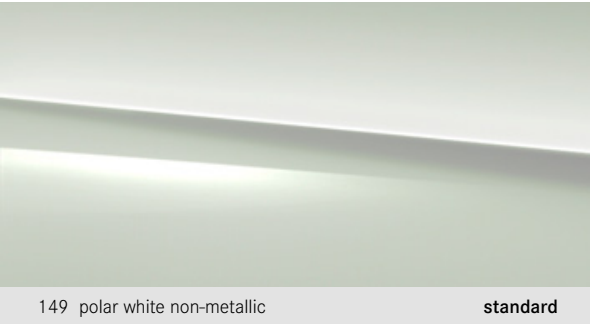
Colours, trim and upholstery



Some of the model features, optional extras and colours shown may not be available, or may only be available in a different specification.



Non-metallic and metallic paints



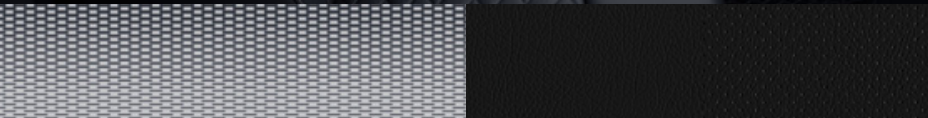


> Keep me updated



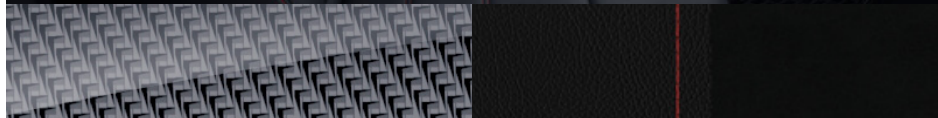
> Find a Retailer

Trim and upholstery



H61 ellipse-look trim | 331A ARTICO man-made leather/Albury fabric - black

Sport	●
AMG Line	-
AMG Line Premium	-
AMG Line Premium Plus	-



H62 carbon-structure trim | 651A ARTICO man-made leather/DINAMICA microfibre - black

Sport	-
AMG Line	●
AMG Line Premium	●
AMG Line Premium Plus	●



> Keep me updated



> Find a Retailer

Wheels



52R 18" alloy wheels (4) – 5-spoke design, painted high-gloss black with a high-shine finish
225/45 R 18 tyres

Sport	●
AMG Line	-
AMG Line Premium	-
AMG Line Premium Plus	-



RTF 19" AMG alloy wheels – 5-twin-spoke design, painted tantalite grey with a high-shine finish
235/50 R 19 tyres

Sport	-
AMG Line	●
AMG Line Premium	●
AMG Line Premium Plus	●



Standard equipment

Item	Sport	AMG Line	AMG Line Premium	AMG Line Premium Plus
Engine, Transmission and Suspension				
DYNAMIC SELECT with a choice of driving modes: Eco, Comfort, Sport and Individual	●	●	●	●
ECO start/stop function	●	●	●	●
KEYLESS-GO starting function	●	●	●	●
Rear axle: multi-link	●	●	●	●
Sporty engine sound (starting from GLB 200)	-	●	●	●
Comfort suspension	●	●	●	●
Steering				
Steering – parameter steering system	●	●	●	●
Steering column – manually adjustable for height and reach	●	●	●	●
Steering wheel – gearshift paddles	●	-	-	-
Steering wheel – galvanised gearshift paddles	-	●	●	●
Steering wheel – multifunction sports steering wheel in leather	●	-	-	-
Steering wheel – multifunction sports steering wheel in nappa leather	-	●	●	●

Item	Sport	AMG Line	AMG Line Premium	AMG Line Premium Plus
Exterior				
Mirror package Electrically-folding mirrors, automatically-dimming driver's exterior mirror and rear view mirror, and image projection logo	-	-	●	●
Beltline strips and weather strip in chrome	●	●	●	●
Bodystyling – AMG door panels black grained with chrome-plated inserts	-	●	●	●
Bodystyling – AMG front apron with chrome splitter	-	●	●	●
Bodystyling – AMG rear apron with diffuser optics and chrome trim element	-	●	●	●
Bodystyling – door panels black grained with chrome-plated trim element in a running board look	●	-	-	-
Brakes – front calipers with 'Mercedes-Benz' logo lettering on front	-	●	●	●
Brakes – perforated and ventilated front brake discs (GLB 220d 4MATIC only)	-	●	●	●
Bumper – front and rear bumper including underride guard, AMG-specific in high-gloss chrome	-	●	●	●
Bumper – front and rear bumper including underride guard in high-gloss chrome	●	-	-	-
Door handles – body-coloured	●	●	-	-
Door handles – body-coloured with chrome insert for keyless entry	-	-	●	●
Door mirrors – body-coloured	●	●	●	●
Door mirrors – electrically adjustable and heated with integrated LED indicators	●	●	●	●
Door sills – front door sills with 'Mercedes-Benz' lettering	-	●	-	-
Door sills – front door sills with illuminated 'Mercedes-Benz' lettering	-	-	●	●



Item	Sport	AMG Line	AMG Line Premium	AMG Line Premium Plus
Exterior (continued)				
EASY-PACK tailgate	●	●	●	●
Exhaust – two visible tailpipe trim elements	●	●	●	●
Exhaust system – dual flow exhaust pipes (non-functional)	●	●	●	●
Glass – rear windscreen, heated with timer control	●	●	●	●
Lights – LED high-level third brake light	●	●	●	●
Lights – High-Performance LED headlamps with integrated LED daytime running lights	●	●	●	–
Lights – LED tail lamps	●	●	●	●
Lights – MULTIBEAM LED headlamps with Adaptive Highbeam Assist Plus	–	–	–	●
Panoramic sunroof	–	–	–	●
Privacy glass	–	●	●	●
Radiator grille – with two single louvres painted in a silver colour and chrome inserts	●	–	–	–
Radiator grille – with pins in chrome, single louvre with chrome insert	–	●	●	●
Roof rails – polished aluminum	●	●	●	●

Item	Sport	AMG Line	AMG Line Premium	AMG Line Premium Plus
Interior				
Air conditioning – THERMOTRONIC luxury automatic climate control, two-zone, with display	●	●	●	●
Air vent outer ring in chrome and turbines in high-gloss black	●	●	●	●
Centre armrest – front, with stowage	●	●	●	●
Cup holder – twin, front	●	●	●	●
Floor mats – velour	●	–	–	–
Floor mats – with stitched ‘AMG’ lettering	–	●	●	●
Grab handle on front passenger side – silver chrome, brushed	●	●	●	●
Instrument cluster – fluid level warning indicator for fuel, oil, coolant and washer fluid	●	●	●	●
Instrument cluster – outside temperature gauge	●	●	●	●
Instrument cluster – service indicator ASSIST	●	●	●	●
Instrument cluster – trip computer in multifunction display with current consumption indicator	●	●	●	●
Interior lighting – 64-colour ambient lighting	–	–	●	●
Interior lighting - Light and Sight package Includes interior lighting, vanity mirrors, reading lamps, footwell lighting, cup holder, oddments tray, spectacles compartment, touchpad illumination and handle	●	●	●	●
Luggage net on driver’s and front passenger backrest	●	●	●	●



Item	Sport	AMG Line	AMG Line Premium	AMG Line Premium Plus
Interior (continued)				
Net in front passenger footwell	●	●	●	●
Pedals – brushed stainless-steel sports pedals with black rubber applications	–	●	●	●
Rear armrest with two integral cup holders for drinks	●	●	●	●
Rear seats – fore/aft adjustment of second seat row	–	–	●	–
Rear seats – third row of seats for two people (7 seats only)	●	●	●	●
Seats – comfort seats with adjustable head restraints	●	–	–	–
Seats – heated front seats	●	●	●	●
Seats – Seat Comfort package including seat height adjusters and seat cushion angle adjustment on front seats manually	●	●	●	–
Seats – sport seats with adjustable head restraints	–	●	●	●
Seats – electrically adjustable front memory seats with lumbar support	–	–	–	●
Spectacles compartment for driver	●	●	●	●
Stowage compartment in centre console	●	●	●	●
Stowage compartment with retractable cover (automatic transmission only)	●	●	●	●
Touchpad on centre console	●	●	●	●
Windows – electric windows (4)	●	●	●	●

Item	Sport	AMG Line	AMG Line Premium	AMG Line Premium Plus
Paint, Trim and Upholstery				
Paint – non-metallic	●	●	●	●
Roof lining – black	●	●	●	●
Trim – ellipse-look	●	–	–	–
Trim – carbon structure	–	●	●	●
Upholstery – ARTICO man-made leather/Albury fabric, black	●	–	–	–
Upholstery – ARTICO man-made leather/DINAMICA microfibre upholstery, black	–	●	●	●



Item	Sport	AMG Line	AMG Line Premium	AMG Line Premium Plus
Security and Assistance Systems				
Driving Assistance package	-	-	-	●
Parking package – reversing camera with parking guidelines, 180° view, Active Parking Assist with PARKTRONIC, front and rear parking sensors	-	-	●	●
23.8 litre AdBlue fuel tank (diesel engines only)	●	●	●	●
52 litre fuel tank (60 litre for 4MATIC)	●	●	●	●
Active bonnet – pedestrian safety measure which detects an impact and raises bonnet by 65 mm	●	●	●	●
Active Brake Assist	●	●	●	●
Active Lane Keeping Assist	●	●	●	●
Airbags – dual-stage, driver and front passenger	●	●	●	●
Airbags – head and sidebags, driver and front passenger	●	●	●	●
Airbags – kneebag for driver	●	●	●	●
Airbags – windowbags, driver and front passenger	●	●	●	●
Alarm system with immobiliser and interior protection – Thatcham category 1 (T1)	●	●	●	●
ATTENTION ASSIST – monitors steering behaviour and can help alert to long journey fatigue	●	●	●	●
Braking – adaptive Brake Assist with HOLD function and Hill Start Assist	●	●	●	●
Braking – adaptive brake lights	●	●	●	●
Braking – anti-lock braking system (ABS) with Brake Assist (BAS)	●	●	●	●

Item	Sport	AMG Line	AMG Line Premium	AMG Line Premium Plus
Braking – brake-pad wear warning indicator	●	●	●	●
Crash-responsive emergency lighting	●	●	●	●
Cruise control with limiter	●	●	●	-
DISTRONIC Active Distance Assist –helps the driver to maintain a safe distance to the vehicle in front	-	-	-	●
Electric parking brake	●	●	●	●
Electronic Stability Programme (ESP®) with Acceleration Skid Control (ASR)	●	●	●	●
ESP® Curve Dynamic Assist	●	●	●	●
First-aid kit and warning triangle	●	●	●	●
Headlamp Assist – automatic headlamp activation	●	●	●	●
Lamp failure indicator	●	●	●	●
Locking – childproof locks, manually operated for rear doors and electrically operated for rear power windows	●	●	●	●
Locking – remote central locking and crash sensor with emergency opening function	●	●	●	●
Locking – KEYLESS-GO (lock/unlock) Allows convenient opening, starting and locking of the vehicle with no need to have the key in your hand. With this convenient technology you don't even need to take the key out of your pocket. All the doors can be opened and locked simply by touching the handle	-	-	●	●
Owner's Manual and Service Booklet – English	●	●	●	●



Item	Sport	AMG Line	AMG Line Premium	AMG Line Premium Plus
Security and Assistance Systems (continued)				
Pre-installation for trailer coupling	-	-	●	●
Rain-sensing windscreen wipers	●	●	●	●
Rear fog lamp	●	●	●	●
Seat belts – reminder, front and rear	●	●	●	●
Seat belts – three-point, rear (3)	●	●	●	●
Seats – automatic child seat recognition sensor (pressure sensor)	●	●	●	●
Seats – ISOFIX and top-tether child seat fixing points in rear (two outer seats)	●	●	●	●
Seats – ISOFIX and top-tether child seat fixing points on third row of seats (7 seats only)	●	●	●	●
Seats – seat occupancy sensor, front passenger seat	●	●	●	●
Speed Limit Assist	●	●	●	●
Summer tyres	●	●	●	●
Traffic Sign Assist	-	-	-	●
Tyres – TIREFIT tyre-sealant kit	●	●	●	●
Tyres – tyre pressure monitoring system	●	●	●	●

Item	Sport	AMG Line	AMG Line Premium	AMG Line Premium Plus
Communications and In-Car Entertainment				
DAB digital radio tuner	●	●	●	●
Display – 7-inch digital instrument display	●	●	-	-
Display – 7-inch touchscreen media display	●	●	-	-
Display – 10.25-inch digital instrument display	-	-	●	●
Display – 10.25-inch touchscreen media display	-	-	●	●
GPS aerial	●	●	●	●
Hard-disk navigation	●	●	●	●
“Hey Mercedes” voice activation	●	●	●	●
Mercedes-Benz sound system (100 W)	●	●	-	-
Mercedes-Benz advanced sound system (225 W)	-	-	●	●
MBUX augmented reality for navigation	-	-	●	●
MBUX multimedia system	●	●	●	●
Pre-installation for Mercedes-Benz Link	●	●	●	●
Pre-installation for Vehicle Monitoring	●	●	●	●
Pre-installation for Vehicle Set-Up	●	●	●	●
Pre-installation of private car share	●	●	●	●
Radio aerial integrated into windshields front and rear	●	●	●	●



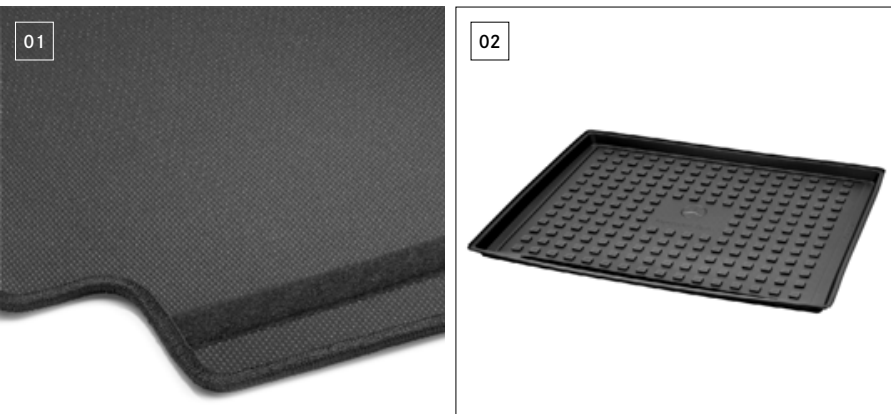
Item	Sport	AMG Line	AMG Line Premium	AMG Line Premium Plus
Communications and In-Car Entertainment (continued)				
Smartphone integration ¹ including Apple CarPlay™ and Android Auto™	-	-	●	●
USB (type C) port in front stowage compartment	●	●	●	●
USB (type C) ports (2) in rear of stowage compartment	●	●	●	●
Wireless charging ¹	-	-	●	●

Item	Sport	AMG Line	AMG Line Premium	AMG Line Premium Plus
Mercedes me connect				
Standard services – free of charge for first 10 years Including emergency call system (eCall), accident recovery, breakdown and maintenance management	●	●	●	●
Live traffic and map updates – free of charge for first three years. Extension possible and pricing information available via Mercedes me store Avoid traffic jams with live traffic information and keep your maps up to date via over-the-air updates	●	●	●	●



Genuine Accessories

We've developed a range of Accessories you can add to help personalise and enhance your GLB. Your local Mercedes-Benz Retailer can advise on fitting costs of Accessories, where applicable. Further information on our full range of Genuine Accessories can be found **here** on the Mercedes-Benz Cars UK website.



01 | Reversible mat (A2476841600)

The reversible mat with load sill protector from Mercedes-Benz protects your prized paintwork when loading and unloading, and helps prevent the load from sliding around. 100 % hardwearing polyester, double-sided for twice the use, rubberised, non-slip side and soft velour side.

RRP £89.40 (incl. VAT)

02 | Shallow boot tub (A2478140400)

For everyday transport. The easy-care boot tub is even suitable for shopping and liquids. The shape of the tub, with its slightly raised edge, is optimally tailored to the load area. Very robust – made from impact-resistant, non-split polypropylene. Structured surface prevents the load from sliding around and makes it easier to secure the optionally available stowage crate in place.

RRP £89.40 (incl. VAT)

03 | Concertina load sill protector (A2536932000)

Protects the rear of the car from scratches when you're loading the vehicle – and prevents dirt from the car from getting onto your clothes. Practical design – can be connected to shallow boot tub or reversible mat.

RRP £41.50 (incl. VAT)



> Keep me updated



> Find a Retailer

04



04 | BABY-SAFE plus II child seat, with ISOFIX (A0009701302)

Suitable for children up to around 15 months of age (up to 13 kg), the seat features automatic child seat recognition and standard automatic airbag shutoff for use on the front passenger seat with airbag. The ISOFIX attachment system comes as standard; but can be used with vehicle's three-point seat belt as an alternative.

RRP £309.75 (incl. VAT)

05



05 | DUO plus child seat, with ISOFIX (A0009701702)

Suitable for children between the ages of 9 months to 4 years (9 to 18kg), the seat offers optimum protection in the event of an accident. Sitting, reclining and sleeping positions are adjustable with one simple manoeuvre. A system that grows along with your child: the harness height is easy to adjust in seven stages – with central, one-pull belt length adjustment.

RRP £362.25 (incl. VAT)

06



35

06 | KIDFIX XP child seat, with ISOFIX (A0009702302)

Suitable for children between the ages of 3.5–12 years (15–36 kg) and securely attached to the vehicle by means of ISOFIX or the vehicle seat belt. The seat's strengths include its exemplary side impact protection, courtesy of the energy-absorbing XP-PAD, which reduces impact in the event of a collision. Large, padded side wings also enhance side impact protection. Adjustable belt guides and headrest allow the seat to grow with your child.

RRP £368.50 (incl. VAT)



> Keep me updated



> Find a Retailer

07 | Cool box (A0008204206)

Whether you're taking cold drinks, a picnic or baby food with you, the multifunctional coolbox cools or warms according to your needs, making it the perfect accessory for any outing. Thanks to the extra-effective insulation, it cools to as low as -2°C . It is ideal for use in any Mercedes-Benz and has a capacity of 24 litres. The portable coolbox is a rigid box with a fabric cover, featuring zipped and open pockets. The rigid plastic liner inside is easy to clean. The carrying strap can be used to secure the coolbox in place in the vehicle.

RRP £170.50 (incl. VAT)

08 | Picnic hamper (B66041562)

Ideal for lunch in nature: the dark brown picnic hamper made from Polyrattan impresses with a practical attachment of glasses, cups and plates with the help of straps and Velcro fasteners. The content of the hamper is set out for two people: two four-part cutlery sets, two porcelain plates, coffee cups, juice glasses, a salt and a pepper shaker, two serviettes and a $140 \times 140\text{ cm}$ table cloth. Dimensions: approx. $50 \times 34 \times 31\text{ cm}$

RRP £272.40 (incl. VAT)

09 | Mount for tablet PC (A0008272200)

The ergonomic, crashproof Docking Station introduces the iPad® and all of its familiar functions to your Mercedes-Benz. All connections, e.g. for your headphones or charging cable, remain accessible. The mount is fitted to the head restraint and can be tilted and rotated around 90° . Available for iPad®, iPad® 2, iPad® 3 and iPad® 4.

RRP £128.40 (incl. VAT)





> Keep me updated



> Find a Retailer

10



Genuine Accessories

37

10 | Basic carrier bars (A2478903100)

Aluminium carrier bars, precision-tailored to the body of your Mercedes-Benz – the perfect basis for a range of Mercedes-Benz transport accessories: ski and snowboard rack, bicycle rack or roof boxes. With integral tool for quick and easy fitting. Asymmetrical aerodynamic profile enhances ride comfort by significantly reducing wind noise.

RRP £240.00 (incl. VAT)

11



11 | Mercedes-Benz roof box 450 (A0008400000)

Roof box allows transport of winter and summer leisure accessories, including skis, snowboards, diving equipment, etc. Easy to slide into place and secure. Available in different colour variants. UV-resistant, dye-permeated material. Impact-resistant, sturdy, durable, recyclable, spray-protected. Opens on both sides. Single lock system with three locking mechanisms on each side. Gas-filled struts for easy opening and closing of lid. Straps to hold contents in place. Maximum load capacity of 75 kg. Unladen weight 16 kg.

RRP £416.00 (incl. VAT)



> Keep me updated



> Find a Retailer

12



12 | Bicycle carrier (A0008900293)

Suitable for different cycle types, e.g. road bikes or trekking bikes. Fully pre-assembled and ready to use. Extremely lightweight as a result of aluminium/steel construction: just 2.5 kg. New and ingeniously convenient: bicycles can be attached at ground level before the rack is fitted. Up to three bicycle racks can be fitted. Bungee cords ensure rack is also suitable for unusual cycle frames

RRP £121.00 (incl. VAT)

38

13



13 | Rear-mounted bicycle rack for trailer coupling, folding (A0008901800)

Rear bicycle rack for trailer hitch. For up to three cycles. Suitable for e-bike: battery is to be removed when transporting. Lockable. Removable cycle holders with quick-release fasteners can be positioned to suit requirements. Simple for customer to fit without the use of tools. With space-saving folding mechanism. Supplied with bag. Unladen weight 21.2 kg.

RRP £688.80 (incl. VAT)



Technical data

Model	Petrol engine		Diesel engines		
	GLB 200	GLB 200 d	GLB 200 d 4MATIC	GLB 220 d 4MATIC	
Engine					
Total displacement	cc	1,332	1,950	1,950	1,950
Arrangement/cylinders/valves		in-line/4/16	in-line/4/16	in-line/4/16	in-line/4/16
Power ¹	hp (kW) at rpm	163 (120)/5,500 ±1.5%	150 (110)/3,400–4,400	150 (110)/3,400–4,400	190 (140)/3,800
Torque ¹	Nm at rpm	250/1,620–4,000	320/1,400–3,200	320/1,400–3,200	400/1,600–2,600
Compression ratio		10.6:1	15.5:1	15.5:1	15.5:1
Transmission					
7G-TRONIC 7-speed automatic		●	-	-	-
8G-TRONIC 8-speed automatic		-	●	●	●
Tyre sizes					
Sport		225/45 R 18	-	-	-
AMG Line		235/50 R 19	235/50 R 19	235/50 R 19	235/50 R 19



Model	Petrol engine		Diesel engines	
	GLB 200	GLB 200 d	GLB 200 d 4MATIC	GLB 220 d 4MATIC

Performance

Acceleration 0–62 mph	sec	9.1	9.0	9.3	7.6
Top speed	mph	129	127	125	135

Weights and capacities

Kerb weight ²	kg	1,555	1,680	1,735	1,735
Perm. Gross Vehicle Weight	kg	2,085	2,195	2,250	2,250
Boot capacity – seats up		455	570	570	570
seats down	l	1,540	1,805	1,805	1,805
Towing capacity – unbraked		750	750	750	750
braked	kg	1,800	1,800	2,000	2,000
Fuel tank capacity/of which reserve	l	52/6.0	52/6.0	60/6.0	60/6.0
Turning circle	m	11.7	11.7	11.7	11.7

²Mass of the vehicle in running order with at least 90% full fuel tank, plus the mass of the driver (estimated by law at 75 kg), fuel and fluids, equipped with the standard equipment as specified by the manufacturer as well as, where applicable, the mass of the body, cab, trailer coupling and spare wheel(s) as well as tools. Optional extras, additional equipment and accessories can influence the weight, residual payload, rolling resistance, aerodynamics, etc., and therefore also affect the consumption/CO₂ values



Model	Petrol engine	Diesel engines		
	GLB 200	GLB 200 d	GLB 200 d 4MATIC	GLB 220 d 4MATIC

Fuel consumption^{3,4,5}

Combined (consumption dependent on chosen optional equipment)	l/100 km mpg	7.0–7.3 40.4–38.7	5.7 49.6	5.9 47.9	5.9–6.0 47.9–47.7
---	-----------------	----------------------	-------------	-------------	----------------------

CO₂ emissions^{4,5,*}

g/km

Emissions standard	Euro 6d ISC-FCM	Euro 6d ISC	Euro 6d ISC	Euro 6d ISC
18" alloy wheels (225/45 R18 tyres)	134	–	–	–
19" AMG alloy wheels (235/50 R19 tyres)	134	126	132	135

Insurance

Group rating	tba	tba	tba	tba
--------------	-----	-----	-----	-----

Insurance ratings may vary depending on model specification. Please refer to <http://www.thatcham.org/abigrouprating/> for further details

³All figures are based on a standard specification with the smallest tyre size ⁴The choice of wheels and transmission may affect CO₂ emissions and corresponding Road Fund Licence

⁵The indicated values were determined according to the prescribed measurement method – Worldwide Harmonised Light Vehicle Test Procedure (WLTP). Figures shown may include options which are not available in the UK

*CO₂ figures have been converted into NEDC-equivalent values for use with the current VED and BIK tax legislation

Figures shown are for comparability purposes; only compare with other cars tested to the same technical procedures. Figures may not reflect real life driving results, which will depend upon a number of factors including factory-fitted options, accessories fitted (post registration), variations in weather, driving styles and vehicle load. Further information about the test used to establish fuel consumption and CO₂ figures can be found at <http://www.mercedes-benz.co.uk/WLTP>

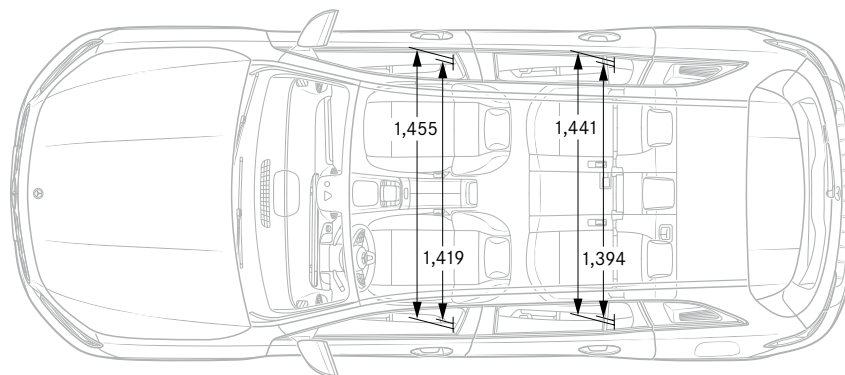
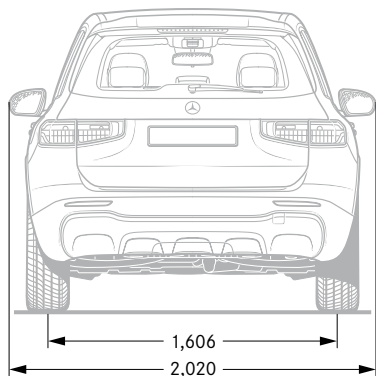
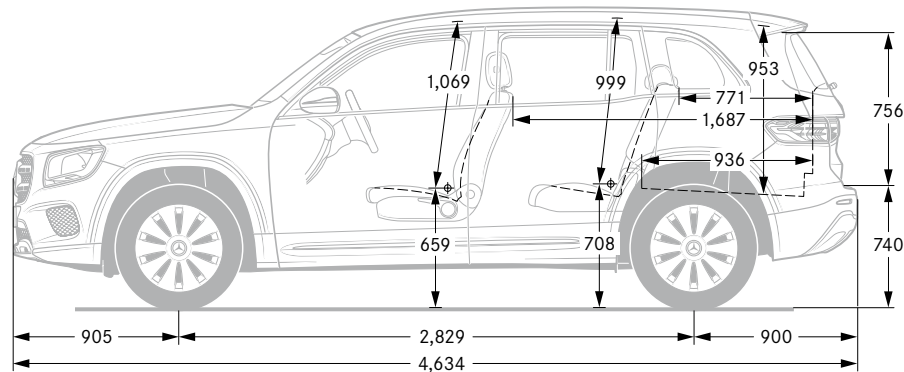
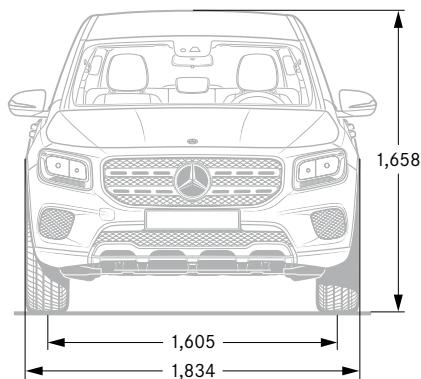


> Keep me updated



> Find a Retailer

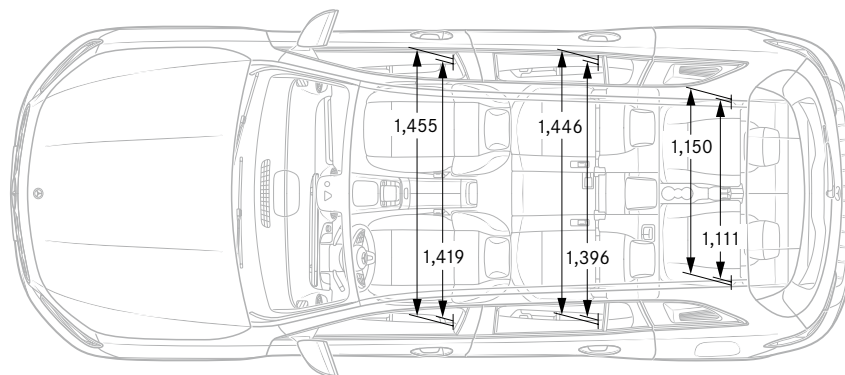
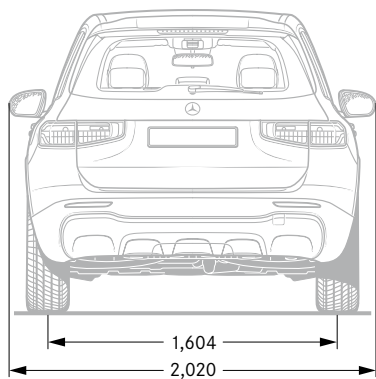
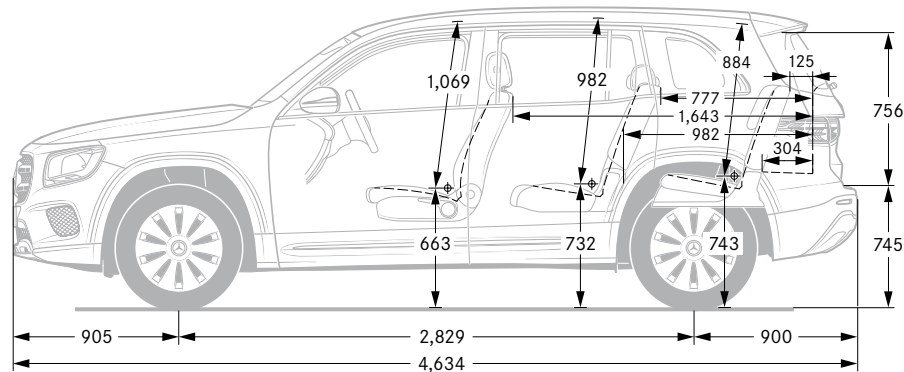
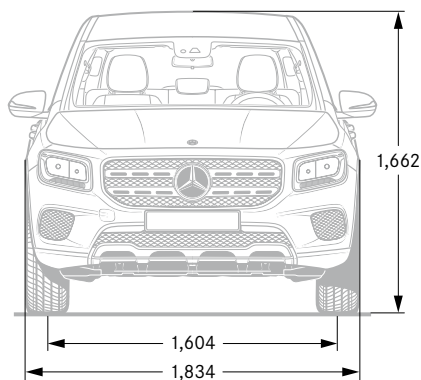
GLB (5 seats)



All measurements in millimetres and may differ dependent on engine and model line. The dimensions shown are mean values and apply to standard-specification, unladen vehicles



GLB (7 seats)





Road Fund Licence



All road vehicle registrations are subject to Vehicle Excise Duty (Road Fund Licence), which varies in accordance with the vehicle's CO₂ emissions. A first year rate for each taxation band will apply. The table below shows the bands (A–M) created by the DVLA and the corresponding Road Fund Licence. CO₂ emissions are listed in the technical data on page 41, and the relevant Excise Duty is reflected in the on-the-road prices on page 22.

Band	CO ₂ emissions (g/km)	First year rate petrol and RDE2 diesel (£)	First year rate all other diesel (£) ¹	First year rate alternative fuel (£)	Standard rate (£)	Premium rate (£) ²
A	0	0.00	0.00	0.00	0.00	320.00
B	1 to 50	10.00	25.00	0.00	145.00	465.00
C	51 to 75	25.00	110.00	15.00	145.00	465.00
D	76 to 90	110.00	130.00	100.00	145.00	465.00
E	91 to 100	130.00	150.00	120.00	145.00	465.00
F	101 to 110	150.00	170.00	140.00	145.00	465.00
G	111 to 130	170.00	210.00	160.00	145.00	465.00
H	131 to 150	210.00	530.00	200.00	145.00	465.00
I	151 to 170	530.00	855.00	520.00	145.00	465.00
J	171 to 190	855.00	1,280.00	845.00	145.00	465.00
K	191 to 225	1,280.00	1,815.00	1,270.00	145.00	465.00
L	226 to 255	1,815.00	2,135.00	1,805.00	145.00	465.00
M	over 255	2,135.00	2,135.00	2,125.00	145.00	465.00

Some of the model features, optional extras and colours shown may not be available, or may only be available in a different specification.

¹Applies to all Mercedes-Benz diesel models which do not comply with RDE (Real Driving Emissions) Step 2 Certified (Euro 6d)

²Premium rate only applicable to vehicles where the list price is over £40,000 including any factory-fitted options, standard UK delivery charge, number plates, fuel and VAT



Services and insurance

Mercedes-Benz ServiceCare

We believe that servicing costs should be as flexible and affordable as possible for your GLB, which is why we offer ServiceCare, an easy way to budget for all your servicing costs. It spreads your bills into manageable payments based on whether you have a new or used Mercedes-Benz.

With ServiceCare we guarantee the price of parts and labour for up to four services and safeguard against any further inflation. It also covers the cost of all recommended service items including brake fluid, spark plugs, air filters, fuel filters and screen wash.

You can choose either to add your servicing costs into your monthly spend or pay the full amount in a one-off payment, giving you peace of mind that they are taken care of for the period of the plan.

To receive a personalised ServiceCare plan recommendation visit the ServiceCare Calculator at servicecarerates.mercedes-benz.co.uk

Warranty and breakdown cover

Every Mercedes-Benz comes with a three-year unlimited mileage warranty against manufacturing or material defects¹ and up to 30 years warranty against perforation due to corrosion from the inside out.² What's more, it's also covered by Mercedes-Benz Roadside Assistance – a unique package comprising up to 30 years pan-European breakdown assistance.²

Motor Insurance

Superb cover comes as standard. When reviewed by an independent research company, Defaqto, Mercedes-Benz Motor Insurance received a five-star rating, the highest rating available. We design our Motor Insurance specifically for Mercedes-Benz drivers.

For more information or to obtain a quote, click [here](#).



Mercedes-Benz Finance

Why should you finance with Mercedes-Benz?

At Mercedes-Benz we believe a great driving experience should be matched by an equally great ownership experience. That is why we put just as much thought, time and effort into designing our finance options, our service plans and our insurance cover as we do into our vehicles.

We are not in the business of simply providing a loan to fund the purchase of your dream vehicle. We look on it as a journey that we take with you, from the moment you choose your new Mercedes-Benz, to helping you in choosing your next one.

If you would like to find out more about any of our current offers, simply call into your local Mercedes-Benz Retailer where one of our Business Managers will be more than happy to talk you through anything you need to know.

Helping you find the right solution.

You should find our finance packages are more convenient than a traditional personal loan because:

- Funds are immediately available – no waiting for cheques or loans to clear.
- There is no security required – either against your home or other assets.
- We have clear and transparent rates – the APR we quote is the APR you get.
- We have friendly Business Managers – experts in vehicle finance who can talk you through all of your plans in detail.

One of our most popular finance products is Mercedes-Benz Agility (our Personal Contract Purchase product). We also offer Contract Hire, Operating Lease and Hire Purchase solutions. If you would like to find out more about these speak to your Retailer or visit www.mercedes-benz.co.uk/fandi.

Mercedes-Benz Agility (our PCP product).

At the start of an Agility agreement, you put down a deposit and decide the term of your agreement and your annual mileage. You will be advised of the Guaranteed Future Value, which offers you the reassurance of knowing exactly what you will need to pay to own the vehicle outright in the future (this is known as the Optional Purchase Payment).

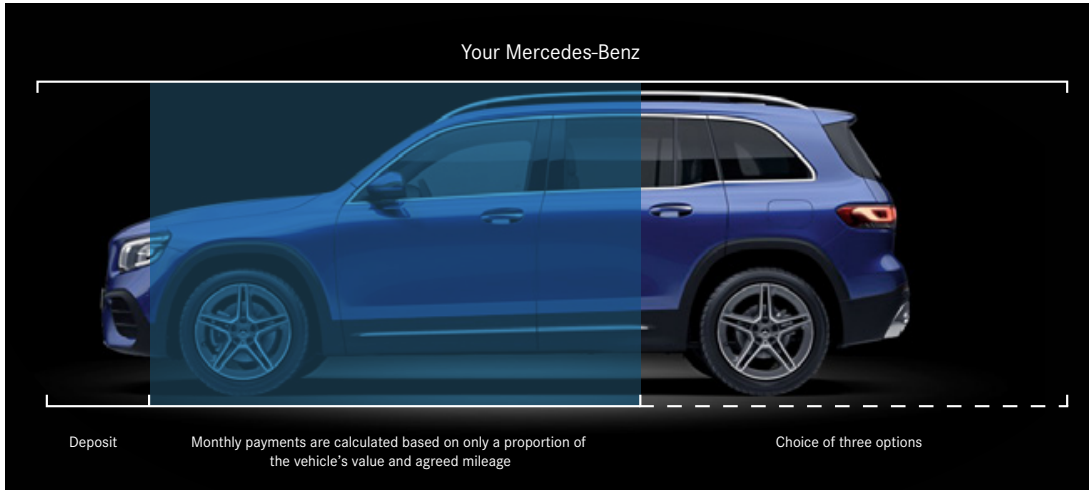
Throughout your agreement you simply pay your agreed monthly payments and when the agreement comes to an end you either purchase, hand back or part-exchange your vehicle.





Agility features:

- Fixed regular payments mean you can easily budget.
- Payments are based only on a proportion of the vehicle's value, keeping your monthly payments lower.
- Our Guaranteed Future Value avoids the risk of unplanned depreciation of your vehicle.
- You defer your ownership decision until the end of the agreement.



At the end of your agreement you have three options to choose from.

Option 1: Purchase your Mercedes-Benz.

Purchase your Mercedes-Benz by paying the Optional Purchase Payment and Purchase Activation Fee.¹ This will complete the purchase of your Mercedes-Benz, leaving you free to simply enjoy your vehicle.

Option 2: Hand back your Mercedes-Benz.

If you decide to return your vehicle to us, it must be in line with our Vehicle Return Standards,^{*} as vehicle condition, excess mileage and other charges may be payable.

Option 3: Part-Exchange for a new vehicle.

Purchase your Mercedes-Benz by paying the Optional Purchase Payment and Purchase Activation Fee.¹ This will complete the purchase of your Mercedes-Benz, leaving you free to part-exchange for a new vehicle.

¹Please note the 'Purchase Activation Fee' of £10 will be debited from your account *To find out more information about our Vehicle Return Standards please visit <http://mercedes-benz.co.uk/vrs>





> Keep me updated





> Find a Retailer

Follow us on the following social media channels:

 facebook.com/mercedesbenzuk

 twitter.com/mercedesbenzuk

 youtube.com/mercedesbenzuk

 instagram.com/mercedesbenzuk

Effective from December 2019 Production. Information correct at time of publication.

Prices and specifications are subject to change without prior notice.

MBX247PL/1219 MY800.5

Mercedes-Benz Cars UK Limited, Tongwell, Milton Keynes, MK15 8BA. Company number 2448457 www.mercedes-benz.co.uk