



> Book a test drive



> Find a Retailer

# GLA



Effective from April 2020 Production.

Mercedes-Benz





> Book a test drive



> Find a Retailer

# Contents

<b>4</b> Standard equipment overview	<b>23</b> Model prices	<b>37</b> Genuine Accessories
<b>5</b> Introducing MBUX	<b>26</b> Pricing summary for model lines	<b>39</b> Technical data
<b>6</b> Mercedes me	<b>27</b> Colours and materials	<b>42</b> Road Fund Licence
<b>8</b> Model lines	<b>31</b> Wheels	<b>43</b> Services and insurance
<b>22</b> Driving Assistance package	<b>32</b> Standard equipment	<b>44</b> Mercedes-Benz Finance



> Book a test drive



> Find a Retailer

3



Some of the model features, optional extras and colours shown may not be available, or may only be available in a different specification.



> Book a test drive



> Find a Retailer

# Standard equipment overview



MBUX multimedia system with hard-disk navigation



180° reversing camera



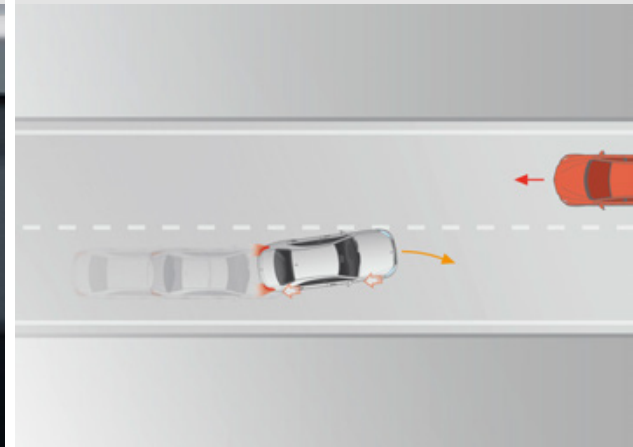
Heated front seats with three settings



LED High Performance headlamps



EASY-PACK powered tailgate



Active Lane Keeping Assist, Speed Limit Assist and Active Brake Assist



> Book a test drive



> Find a Retailer

# Introducing MBUX



MBUX multimedia system with DAB digital radio



Multi-gesture touchpad control

Introducing MBUX, the brand new Mercedes-Benz User Experience infotainment system that can be controlled via voice and touch input. The new GLA features this innovative way of communicating with your Mercedes-Benz.

## MBUX (Mercedes-Benz User Experience) infotainment system comprises:

### Voice control

- Activated by the keywords “Hey Mercedes”, the new intelligent voice control LINGUATRONIC<sup>1</sup> lets you control many of the infotainment functions, including destination input, phone calls or music selection
- MBUX is able to understand different accents and will adjust to you over time
- MBUX even understands indirect commands. Feeling chilly? Just say “I feel cold” and MBUX will adjust the temperature for you

### Personalisation

- Turn the new GLA into your very own Mercedes-Benz by personalising driving modes, radio stations, ambient lighting and much more
- Your personal settings can be saved in up to seven different profiles, making your driving experience the best one possible
- Thanks to artificial intelligence, MBUX is able to learn and adapt over time. It will be able to predict your personal habits, such as navigation for frequently-driven routes, or the radio station you like to listen to on your way home from work

### Touch inputs

- Beside voice control you can operate MBUX via touchscreen, the touchpad on the centre console, as well as touch control buttons on the steering wheel
- The touchpad recognises your handwriting should you wish to enter addresses or phone numbers silently

### Maintenance and service

- Wondering when the next service is due? Or how much further you can drive until you need to stop at a petrol station? Just ask your MBUX – it will tell you the answer

<sup>1</sup>LINGUATRONIC off-board functions are currently only available for three years



> Book a test drive



> Find a Retailer

# Mercedes me connect.

Stay connected, any time, anywhere.

Mercedes me is a range of innovative online services designed to enhance your Mercedes-Benz experience. Accessible via mobile, tablet or PC, Mercedes me lets you enjoy the highest standards of care and support, in a way that integrates seamlessly with your busy lifestyle.



6

## Navigation Services (01U)

Visit the Mercedes me connect store or app for pricing.

## Infotainment

Visit the Mercedes me connect store or app for pricing.



### Live Traffic Information<sup>1</sup>

Your navigation system receives traffic data in real time, enabling it to optimise the dynamic route guidance, minimising drive time and offering more precise estimation of arrival times.



### Available parking spaces

Locates parking spaces for you in multi-storey car parks and on the street. Saving you time and hassle.



### connect Store

In the Mercedes me connect Store you can purchase many digital services designed to make your everyday life easier and provide useful information relating to your networked vehicle.



### TIDAL

Love music? Get a 3-month TIDAL HiFi subscription free with Mercedes me connect (worth £60) and unlock access to 58 million songs.



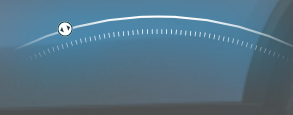
### Local Search

This feature provides support in the local search for restaurants or hotels and much more.



### Send2Car

Make your journey easier: set your destination using the Mercedes me app and send it directly to your car's navigation system.



### Internet Radio

Listen to podcasts and radio stations from anywhere in the world.



### Private Car sharing

Car sharing gives you the opportunity to share your vehicle in a straightforward and safe way with third parties who you authorise.

For more information speak to your local Retailer or visit the Mercedes me connect store at [shop.mercedes-benz.com/en-gb/connect](http://shop.mercedes-benz.com/en-gb/connect)

<sup>1</sup>Free of charge for first three years. Extension possible, visit the Mercedes me connect store for details on pricing



› Book a test drive



› Find a Retailer

# Mercedes me connect.

Stay connected, any time, anywhere.

Mercedes me is a range of innovative online services designed to enhance your Mercedes-Benz experience. Accessible via mobile, tablet or PC, Mercedes me lets you enjoy the highest standards of care and support, in a way that integrates seamlessly with your busy lifestyle.



## Vehicle Set-up (08U)

Pre-installation standard.

Visit the Mercedes me connect store for more information and to activate services.



### Remote Vehicle Status

Check safety information, such as coolant level and brake pad condition, so you can be sure your car is safe and ready to drive.



### Personalisation

Store your preferences, such as your favourite radio stations and apps, to create your personal driver profile.



### Pre-Entry Climate Control

Programming of charging settings and Pre-Entry Climate Control for plug-in vehicles.



### Remote Door Locking/Unlocking

Lock and unlock your car remotely, wherever you are in the world.

## Vehicle Monitoring (09U)

Pre-installation standard.

Visit the Mercedes me connect store for more information and to activate services.



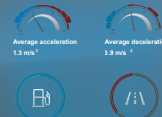
### Parked Vehicle Locator

Forgot where you parked your car? No problem: you can locate and track your car, with the Parked Vehicle Locator.



### Vehicle Tracker

Track the location of your car anywhere in the world.



### ECO Display

Monitor your driving style with ECO Display. It summarises your driving style from the start of the journey to its completion to help you achieve the most economical way to drive.



### Geo-fencing

Set up a geographical boundary and receive alerts whenever your car enters or leaves this area.

For more information speak to your local Retailer or visit the Mercedes me connect store at [shop.mercedes-benz.com/en-gb/connect](http://shop.mercedes-benz.com/en-gb/connect)



➤ Book a test drive



➤ Find a Retailer

# GLA Sport







> Book a test drive



> Find a Retailer



Model lines | GLA Sport

9

7-inch digital instrument display and 7-inch touchscreen media display



Standard ARTICO man-made leather/Fléron fabric - black



Dual flow exhaust pipes in chrome (non-functional)



The new GLA Sport contains a wealth of exceptional styling, such as the 18" 5-twin-spoke alloy wheels, LED high-performance headlamps and 180° reversing camera. At the touch of a button DYNAMIC SELECT offers different drive programs with setting options for the engine, transmission, chassis and steering. Inside, a stylish scene is set with black ARTICO

man-made leather and Fléron fabric matched by a spiral-look trim. Comfort seats come with adjustable headrests as well as heated seats for the front. A leather-clad three-spoke multifunction sports steering wheel with gearshift paddles and THERMOTRONIC automatic climate control come as standard.

**Engine, Transmission and Suspension**

DYNAMIC SELECT with a choice of driving modes: Eco, Comfort, Sport and Individual

**Exterior**

18" alloy wheels – 5-twin spoke design

Black grained claddings with chrome parts

Dual flow exhaust pipes in chrome (non-functional)

Front bumper/underride guard in high gloss chrome

LED High Performance headlamps

Polished aluminium roof rails

Single lamella grille painted silver matt with chrome inlay and black dots

Shoulder line and weather strip trim strip in chrome

**Interior**

Air conditioning – THERMOTRONIC automatic climate control

Comfort seats with adjustable headrests

Heated front seats with three settings

KEYLESS-GO starting function

Multifunction sports steering wheel in leather with chrome elements and gearshift paddles

Touchpad

Velour floor mats

**Communications, Safety and Assistance Systems**

7-inch digital instrument display

7-inch touchscreen media display

180° reversing camera

Active Brake Assist – forward collision warning system with autonomous braking intervention

ATTENTION ASSIST – monitors steering behaviour and can help alert you to long journey fatigue

Active Lane Keeping Assist – can warn you by means of steering wheel vibrations if you inadvertently drive over road markings. In situations of danger, the system can also intervene actively by means of one-sided braking and guide you back into your lane

Car wash function – exterior mirrors fold in, side windows and sliding roof close, windscreen wipers remain switched off and the climate control switches to air-recirculation mode

EASY-PACK powered tailgate

MBUX multimedia system with DAB digital radio

Hard-disk navigation and three years free live traffic information

Speed Limit Assist – detects the speed limit and displays it in the instrument cluster

USB interface in oddments tray and two USB (type C) interfaces in rear of centre console

**Trim and Upholstery**

Spiral-look trim



ARTICO man-made leather/Fléron fabric upholstery (black)



OTR from **£33,010**<sup>1</sup>

<sup>1</sup>The recommended on-the-road price includes the Road Fund Licence applicable to the standard model plus delivery charge (£715.00 incl. VAT), new vehicle registration fee (£55.00) and number plates (£25.00 incl. VAT). VAT is calculated at the standard rate of 20%



> Book a test drive



> Find a Retailer

# GLA Sport Executive (code DP0)



Wireless charging



Multifunction sports steering wheel in leather with chrome elements and gearshift paddles



Mirror package



10.25-inch touchscreen media display



The Sport Executive model line is based on the Sport and comes with that little bit of extra comfort and technology. With the Parking package you will master tight parking spaces effortlessly. Active Parking Assist with PARKTRONIC searches for a suitable parking space and then helps you to park in it, while the 180° reversing camera gives you the overview to the rear.

Thanks to the Mirror package, exterior mirrors can be folded electrically, and the driver's exterior mirror and the rear-view mirror dim automatically. The touch-sensitive 10.25-inch media display networks you with the car and responds to your input. Smartphone integration has never been that easy and, while on the road, compatible smartphones can be charged wirelessly.

*In addition/replacement to Sport:*

**Exterior**

Parking package – reversing camera with parking guidelines, 180° view; Active Parking Assist with PARKTRONIC front and rear parking sensors, visual and audible warning of detected obstacles, arrowed display of identified parking spaces in the instrument cluster, assisted manoeuvring into and out of parallel and end-on parking spaces; ultrasonic sensors positioned in front and rear bumpers

**Interior**

Mirror package – electrically-folding mirrors and automatically-dimming driver's side mirror and rear view mirror

10.25-inch touchscreen media display

Smartphone integration including Apple CarPlay™ and Android Auto™<sup>1</sup>

Wireless charging<sup>1</sup>

**Trim and Upholstery**

Spiral-look trim



ARTICO man-made leather/Fléron fabric upholstery (black)



OTR from **£34,510<sup>2</sup>**  
Upgrade price from Sport **£1,500**

<sup>1</sup>Compatible mobile phone required

<sup>2</sup>The recommended on-the-road price includes the Road Fund Licence applicable to the standard model plus delivery charge (£715.00 incl. VAT), new vehicle registration fee (£55.00) and number plates (£25.00 incl. VAT). VAT is calculated at the standard rate of 20%



[Book a test drive](#)



[Find a Retailer](#)

# GLA AMG Line

13





> Book a test drive



> Find a Retailer

Model lines | GLA AMG Line

14



Privacy glass on rear window and rear side windows



ARTICO man-made leather/DINAMICA microfibre (black) with red contrast stitching



AMG-specific dual-flow exhaust pipes in chrome (non-functional)



The AMG Line reinforces your vehicle’s attractive sporty appearance both on the exterior and in the interior. The AMG bodystyling with AMG-specific front splitter and dual-flow exhaust pipes in high-gloss chrome, large air intakes in black and a single lamella with chrome-dotted diamond radiator grille are exclusive features. Inside, sports seats with adjustable headrests

impress with optimum seating comfort behind the three-spoke multifunction sports steering wheel in fine nappa leather with flattened bottom section, perforated grip area and galvanised gearshift paddles.

*In addition/replacement to Sport:*

**Exterior**

19" AMG alloy wheels – 5-twin-spoke design

AMG bodystyling consisting of AMG-specific high-gloss chrome front splitter, large air intakes in black, rear air outtakes, AMG-specific chrome elements, AMG-specific dual-flow exhaust pipes in chrome (non-functional)

Single lamella with chrome dotted diamond grille and inlay

Privacy glass – heat-insulating, dark-tinted glass on rear window and rear side windows

**Interior**

AMG floor mats

Brushed stainless steel sports pedals with black rubber applications

Galvanised gearshift paddles

Sports seats – optimise lateral support for dynamic driving and at the same time provide comfort for everyday use

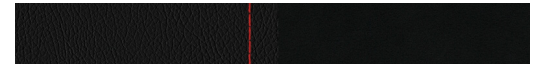
Three-spoke multifunction sport steering wheel in nappa leather with flattened bottom section and perforated grip area

**Trim and Upholstery**

Carbon-structure trim



ARTICO man-made leather/DINAMICA microfibre (black) with red contrast stitching



OTR from **£34,510**<sup>1</sup>

<sup>1</sup>The recommended on-the-road price includes the Road Fund Licence applicable to the standard model plus delivery charge (£715.00 incl. VAT), new vehicle registration fee (£55.00) and number plates (£25.00 incl. VAT). VAT is calculated at the standard rate of 20%



> Book a test drive

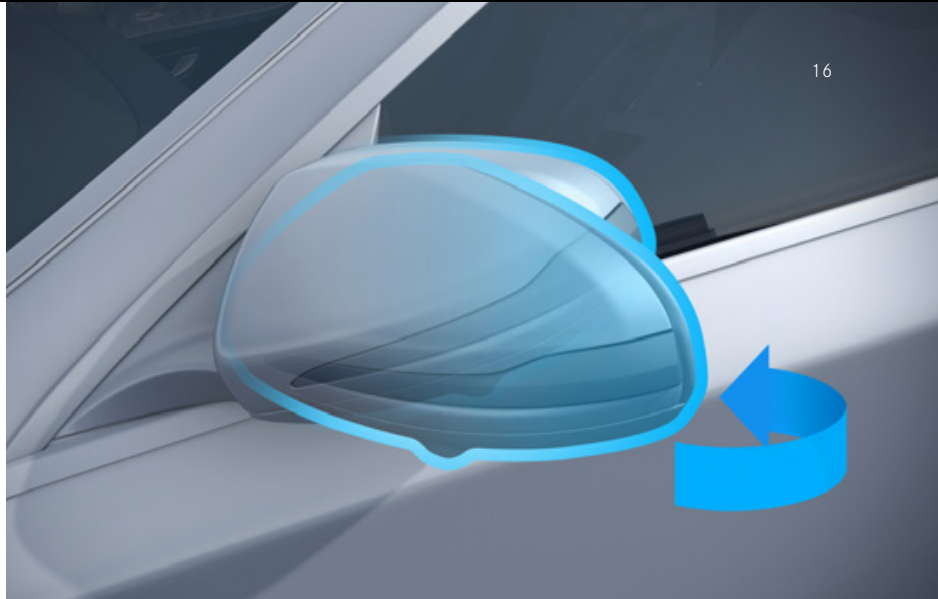


> Find a Retailer

# GLA AMG Line Executive (code DP0)



Parking package - 180° reversing camera, Active Parking Assist with PARKTRONIC



16

Mirror package



Wireless charging



10.25-inch touchscreen media display





Based on the AMG Line, the AMG Line Executive model line is equipped with further comfort and technology features. With the Parking package you will master tight parking spaces effortlessly. Active Parking Assist with PARKTRONIC searches for a suitable parking space and then helps you to park in it, while the 180° reversing camera gives you the overview to the rear.

Thanks to the Mirror package, exterior mirrors can be folded electrically, and the driver's exterior mirror and the rear-view mirror dim automatically. The touch-sensitive 10.25-inch media display networks you with the car and responds to your input. Smartphone integration has never been that easy and, while on the road, compatible smartphones can be charged wirelessly.

*In addition/replacement to AMG Line:*

**Exterior**

Parking package – reversing camera with parking guidelines, 180° view; Active Parking Assist with PARKTRONIC front and rear parking sensors, visual and audible warning of detected obstacles, arrowed display of identified parking spaces in the instrument cluster, assisted manoeuvring into and out of parallel and end-on parking spaces; ultrasonic sensors positioned in front and rear bumpers

**Interior**

Mirror package – electrically-folding mirrors and automatically-dimming driver's side mirror and rear view mirror

10.25-inch touchscreen media display

Smartphone integration including Apple CarPlay™ and Android Auto™<sup>1</sup>

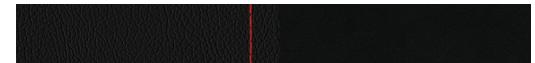
Wireless charging<sup>1</sup>

**Trim and Upholstery**

Carbon-structure trim



ARTICO man-made leather/DINAMICA microfibre (black) with red contrast stitching



**OTR from £36,010<sup>2</sup>**

**Upgrade price from AMG Line £1,500**

<sup>1</sup>Compatible mobile phone required

<sup>2</sup>The recommended on-the-road price includes the Road Fund Licence applicable to the standard model plus delivery charge (£715.00 incl. VAT), new vehicle registration fee (£55.00) and number plates (£25.00 incl. VAT). VAT is calculated at the standard rate of 20%



> Book a test drive



> Find a Retailer

# GLA AMG Line Premium (code DP1)

18

10.25-inch digital instrument cluster



KEYLESS-ENTRY



Illuminated door sills



The AMG Line Premium further enhances your GLA with some practical features and equipment that add to your comfort. Greeted by illuminated ‘Mercedes-Benz’ door sills and a 10.25-inch digital instrument cluster, KEYLESS-ENTRY allows for convenient opening, starting and locking of the car without the need to hold the car key in your hand. Augmented reality for

navigation enables you to find your way in complex traffic situations. Inside, the 64-colour ambient lighting creates fascinating colour schemes showcasing the interior, while the Mercedes-Benz advanced sound system ensures an outstanding listening experience. Pre-installation for trailer coupling comes standard as well.

*In addition/replacement to AMG Line Executive:*

**Engine, Transmission and Suspension**

Off-Road Engineering package (4MATIC only) – including the additional drive program ‘OFF-ROAD’, Downhill Speed Regulation (DSR)

**Exterior**

KEYLESS-ENTRY (lock/unlock) – chrome insert on door handle. Allows convenient opening, starting and locking of the vehicle – with no need for you to have the key in your hand. With this convenient technology you don’t even need to take the key out of your pocket. All the doors can be opened and locked simply by touching the handle

Pre-installation for trailer coupling – preinstalled trailer hitch wiring harness and trailer hitch control unit

**Interior**

10.25-inch digital instrument cluster

Ambient lighting in 64 colours: all colours can be selected individually. Eight colour schemes each consist of two colours – the cockpit and the footwell are kept in the same colour, while the centre area of dashboard forms a contrast. The colours are static or slowly replace each other in Dynamic mode to produce a constant change of colour. Special emotively appealing effects: a light show welcomes the driver, and the climate control indicates in colour via the ambient lighting whether a warmer or colder temperature is being set. Adjustable brightness of the LEDs, with 10 levels and three zones: cockpit, front seat area and also entire dimming zone. The internal workings of the air vents are finished in silver chrome and illuminated. Additional illumination of the piping on the dashboard above the trim element and in the doors. Here the coloured piping is replaced by a transparent fibreoptic cable

Augmented navigation – a camera in the windscreen records the area in front of the vehicle and then superimposes highlighted information in the media display

Front door sills – illuminated, with ‘Mercedes-Benz’ lettering

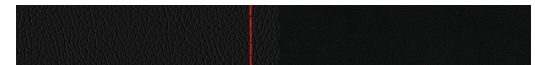
Mercedes-Benz advanced sound system, 225 W – includes a mid-range speaker as the central speaker, one mid-range speaker in each of the front and rear doors as well as one tweeter in each door. For a little bit more bass a subwoofer bass box is installed in the rear, including a separate amplifier

**Trim and Upholstery**

Carbon-structure trim



ARTICO man-made leather/DINAMICA microfibre (black) with red contrast stitching



**OTR from £37,510<sup>1</sup>**

**Upgrade price from AMG Line Executive £1,500**

<sup>1</sup>The recommended on-the-road price includes the Road Fund Licence applicable to the standard model plus delivery charge (£715.00 incl. VAT), new vehicle registration fee (£55.00) and number plates (£25.00 incl. VAT). VAT is calculated at the standard rate of 20%



> Book a test drive

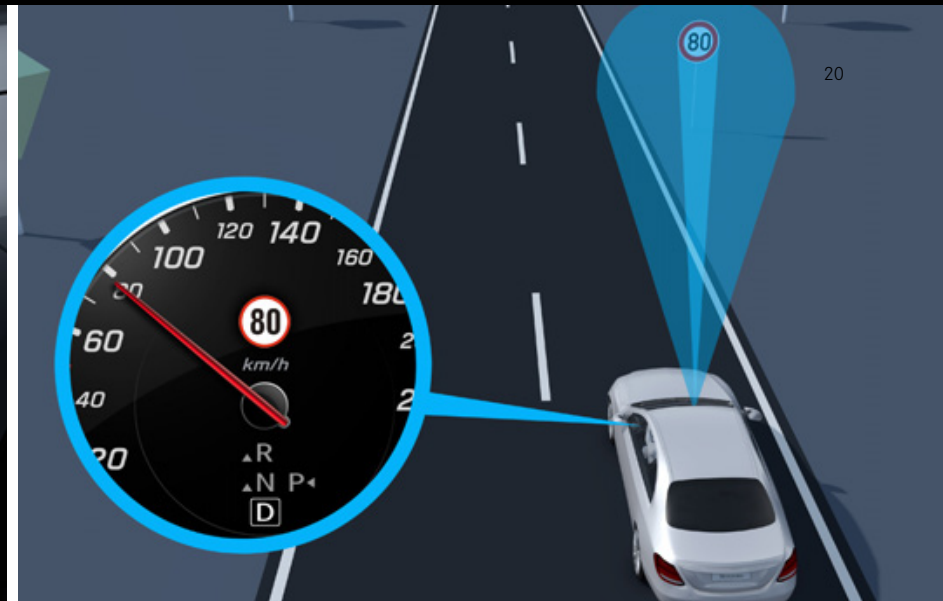


> Find a Retailer

# GLA AMG Line Premium Plus (code DP2)



MULTIBEAM LED headlamps with Adaptive Highbeam Assist



Traffic Sign Assist



Electrically-adjustable front seats



Panoramic glass sunroof



If you can't get enough of pioneering technology and comfort, the AMG Line Premium Plus comes with all the stunning characteristics of the AMG Line Premium and more: take the MULTIBEAM LED headlamps with Adaptive Highbeam Assist or the panoramic glass sunroof for a bright and airy feel.

Inside, you're in for a treat: electrically-adjustable front memory seats including lumbar support come as standard. Meanwhile, Traffic Sign Assist adds to the effortless driving experience.

*In addition/replacement to AMG Line Premium:*

**Engine, Transmission and Suspension**

Off-Road Engineering package (4MATIC only) – including the additional drive program 'OFF-ROAD', Downhill Speed Regulation (DSR) and Off-Road Light (only in conjunction with MULTIBEAM LED part of Premium Plus)

**Exterior**

MULTIBEAM LED headlamps with Adaptive Highbeam Assist – Consisting of 18 individually-controllable, high-performance LEDs per MULTIBEAM LED module to implement a split main beam with 16 controllable individual segments; LED dipped-beam and main-beam headlamps; cornering light function with activated high beam as well as cornering light function with roundabout and cross-traffic functions; city light, country road light and motorway light modes; adaptive all-LED tail lights. Adaptive Highbeam Assist becomes active from a speed of 18.5 mph on roads with no street lighting, provides automatic main-beam control for permanent broad illumination of the carriageway, and partial switches off the LEDs of the MULTIBEAM LED main-beam modules to avoid dazzling vehicles in front or oncoming traffic

Panoramic glass sunroof – includes tilt position which adapts to vehicle speed in three stages and has convenience closing and automatic rain-sensor closing

**Interior**

Electrically-adjustable front memory seats with lumbar support. Lumbar support with four settings: higher, lower weaker or stronger. The memory programming includes all seat adjustment functions such as seat height and fore-and-aft position, seat cushion angle and seat backrest inclination

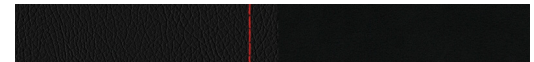
Traffic Sign Assist – a camera scans speed limit signs, so navigation data always displays the current limit

**Trim and Upholstery**

Carbon-structure trim



ARTICO man-made leather/DINAMICA microfibre (black) with red contrast stitching



OTR from **£39,010<sup>1</sup>**

Upgrade price from AMG Line Premium **£1,500**

<sup>1</sup>The recommended on-the-road price includes the Road Fund Licence applicable to the standard model plus delivery charge (£715.00 incl. VAT), new vehicle registration fee (£55.00) and number plates (£25.00 incl. VAT). VAT is calculated at the standard rate of 20%



> Book a test drive

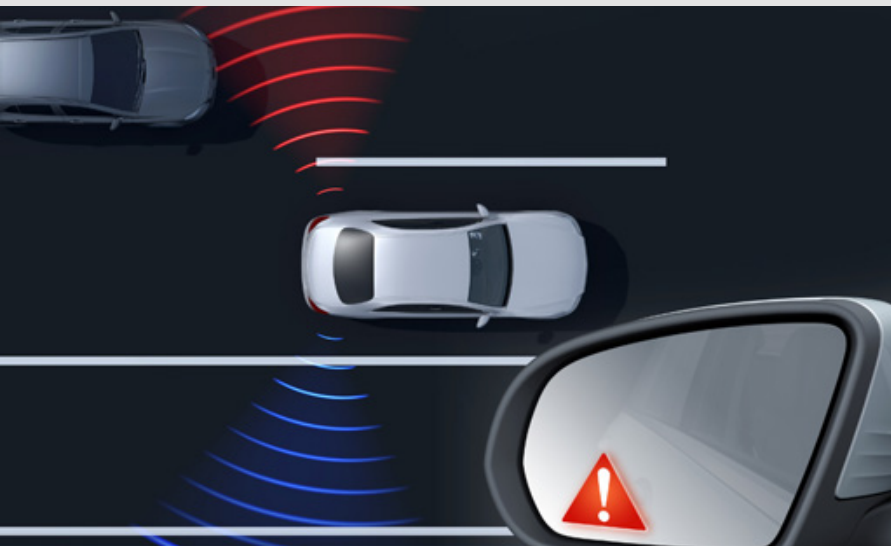


> Find a Retailer

# Driving Assistance package



Active Distance Assist DISTRONIC



Active Steering Assist

The Driving Assistance package contains a range of highly intelligent features to help you stay safe on the road – by making the drive more effortless, by warning of danger, and by taking steps to protect you in an emergency.

**Driving Assistance package** (code 23P) – designed and priced as a package, including items listed below.

**AMG Line Premium Plus only**

**Total incl. VAT £1,495.00**

**Driving Assistance package comprises:**

---

**Active Blind Spot Assist** can warn the driver of vehicles in the blind spot during a lane change and can help to avoid a collision by means of one-sided braking intervention

---

**Active Braking Assist with cross-traffic function** can help to avoid accidents with vehicles ahead, crossing traffic and also pedestrians, and/or mitigate their consequences

---

**Active Distance Assist DISTRONIC** helps maintain the desired distance from the vehicle in front

---

**Active Emergency Stop Assist:** immediate emergency braking if evasion is impossible

---

**Active Lane Changing Assist** aids the driver with changing lanes by means of steering torque as soon as the driver initiates the change by activating the direction indicator

---

**Active Speed Limit Assist** ensures detected speed limits are automatically adopted as the set speed for Active Distance Assist DISTRONIC

---

**Active Steering Assist:** targeted steering intervention to prevent unintentional drifting out of lane

---

**Evasive Steering Assist** can support the driver in making evasive manoeuvres if, in a dangerous situation, he/she moves to avoid any pedestrian detected by the system

---

**PRE-SAFE® PLUS:** when a rear-end collision threatens, PRE-SAFE® PLUS can initiate preventive measures, including warning following traffic and locking the brakes on standstill

---

**Route-based speed adjustment:** adaption of speed before curves, roundabouts and junctions

---



# Model prices

Model line	Engine	Transmission	CO <sub>2</sub> WLTP <sup>1,*</sup>	Basic RRP excl. VAT	Total RRP incl. VAT	Road Fund Licence WLTP <sup>2</sup>	Rec. OTR price WLTP <sup>3</sup>	P11D value	BiK tax rate 2020/21 reg (pre 6 April)   (on/after 6 April)	
Sport	<b>GLA 200d</b> Diesel - 1,950 cc, 4-cylinder, 150 hp/110 kW	8G-DCT 8-speed automatic	141	£27,312.50	£32,775.00	£215.00	£33,785.00	£33,515.00	29%	31%
	<b>GLA 200</b> Petrol - 1,332 cc, 4-cylinder, 163 hp/120 kW	7G-DCT 7-speed automatic	151	£26,395.83	£31,675.00	£540.00	£33,010.00	£32,415.00	30%	34%
Sport Executive	<b>GLA 200d</b> Diesel - 1,950 cc, 4-cylinder, 150 hp/110 kW	8G-DCT 8-speed automatic	141	£28,562.50	£34,275.00	£215.00	£35,285.00	£35,015.00	29%	31%
	<b>GLA 200</b> Petrol - 1,332 cc, 4-cylinder, 163 hp/120 kW	7G-DCT 7-speed automatic	151	£27,645.83	£33,175.00	£540.00	£34,510.00	£33,915.00	30%	34%
AMG Line	<b>GLA 200d</b> Diesel - 1,950 cc, 4-cylinder, 150 hp/110 kW	8G-DCT 8-speed automatic	142	£28,562.50	£34,275.00	£215.00	£35,285.00	£35,015.00	29%	31%
	<b>GLA 200d 4MATIC</b> Diesel - 1,950 cc, 4-cylinder, 150 hp/110 kW	8G-DCT 8-speed automatic	148	£29,895.83	£35,875.00	£215.00	£36,885.00	£36,615.00	31%	32%
	<b>GLA 220d 4MATIC</b> Diesel - 1,950 cc, 4-cylinder, 190 hp/140 kW	8G-DCT 8-speed automatic	149	£31,187.50	£37,425.00	£215.00	£38,435.00	£38,165.00	31%	32%
	<b>GLA 200</b> Petrol - 1,332 cc, 4-cylinder, 163 hp/120 kW	7G-DCT 7-speed automatic	154	£27,645.83	£33,175.00	£540.00	£34,510.00	£33,915.00	30%	34%
	<b>GLA 250</b> Petrol - 1,991 cc, 4-cylinder, 224 hp/165 kW	8G-DCT 8-speed automatic	173	£28,895.83	£34,675.00	£870.00	£36,340.00	£35,416.00	34%	37%

<sup>1</sup>The indicated values were determined according to the prescribed measurement method - Worldwide Harmonised Light Vehicle Test Procedure (WLTP). Figures shown may include options which are not available in the UK

<sup>\*</sup>Figures shown are for comparability purposes; only compare with other cars tested to the same technical procedures. Figures may not reflect real life driving results, which will depend upon a number of factors including factory-fitted options, accessories fitted (post registration), variations in weather, driving styles and vehicle load. Further information about the test used to establish fuel consumption and CO<sub>2</sub> figures can be found at <http://www.mercedes-benz.co.uk/WLTP>

<sup>2</sup>A different first year rate of Vehicle Excise Duty (Road Fund Licence) applies for new cars. Please refer to page 42 for the relevant rate for the second and subsequent years

<sup>3</sup>The recommended on-the-road price includes the Road Fund Licence applicable to the standard model plus delivery charge (£715.00 incl. VAT), new vehicle registration fee (£55.00) and number plates (£25.00 incl. VAT). VAT is calculated at the standard rate of 20%



Model line	Engine	Transmission	CO <sub>2</sub> WLTP <sup>1,*</sup>	Basic RRP excl. VAT	Total RRP incl. VAT	Road Fund Licence WLTP <sup>2</sup>	Rec. OTR price WLTP <sup>3</sup>	P11D value	BiK tax rate 2020/21 reg (pre 6 April)   (on/after 6 April)	
AMG Line Executive	<b>GLA 200d</b> Diesel - 1,950 cc, 4-cylinder, 150 hp/110 kW	8G-DCT 8-speed automatic	142	£29,812.50	£35,775.00	£215.00	£36,785.00	£36,515.00	29%	31%
	<b>GLA 200d 4MATIC</b> Diesel - 1,950 cc, 4-cylinder, 150 hp/110 kW	8G-DCT 8-speed automatic	148	£31,145.83	£37,375.00	£215.00	£38,385.00	£38,115.00	31%	32%
	<b>GLA 220d 4MATIC</b> Diesel - 1,950 cc, 4-cylinder, 190 hp/140 kW	8G-DCT 8-speed automatic	149	£32,437.50	£38,925.00	£215.00	£39,935.00	£39,665.00	31%	32%
	<b>GLA 200</b> Petrol - 1,332 cc, 4-cylinder, 163 hp/120 kW	7G-DCT 7-speed automatic	154	£28,895.83	£34,675.00	£540.00	£36,010.00	£35,415.00	30%	34%
	<b>GLA 250</b> Petrol - 1,991 cc, 4-cylinder, 224 hp/165 kW	8G-DCT 8-speed automatic	173	£30,145.83	£36,175.00	£870.00	£37,840.00	£36,917.00	34%	37%
AMG Line Premium	<b>GLA 200d</b> Diesel - 1,950 cc, 4-cylinder, 150 hp/110 kW	8G-DCT 8-speed automatic	143	£31,062.50	£37,275.00	£215.00	£38,285.00	£38,015.00	29%	31%
	<b>GLA 200d 4MATIC</b> Diesel - 1,950 cc, 4-cylinder, 150 hp/110 kW	8G-DCT 8-speed automatic	148	£32,395.83	£38,875.00	£215.00	£39,885.00	£39,615.00	31%	32%
	<b>GLA 220d 4MATIC</b> Diesel - 1,950 cc, 4-cylinder, 190 hp/140 kW	8G-DCT 8-speed automatic	150	£33,687.50	£40,425.00	£215.00	£41,435.00	£41,165.00	31%	34%
	<b>GLA 200</b> Petrol - 1,332 cc, 4-cylinder, 163 hp/120 kW	7G-DCT 7-speed automatic	154	£30,145.83	£36,175.00	£540.00	£37,510.00	£36,915.00	30%	34%
	<b>GLA 250</b> Petrol - 1,991 cc, 4-cylinder, 224 hp/165 kW	8G-DCT 8-speed automatic	173	£31,395.83	£37,675.00	£870.00	£39,340.00	£38,418.00	34%	37%

<sup>1</sup>The indicated values were determined according to the prescribed measurement method - Worldwide Harmonised Light Vehicle Test Procedure (WLTP). Figures shown may include options which are not available in the UK

<sup>\*</sup>Figures shown are for comparability purposes; only compare with other cars tested to the same technical procedures. Figures may not reflect real life driving results, which will depend upon a number of factors including factory-fitted options, accessories fitted (post registration), variations in weather, driving styles and vehicle load. Further information about the test used to establish fuel consumption and CO<sub>2</sub> figures can be found at <http://www.mercedes-benz.co.uk/WLTP>

<sup>2</sup>A different first year rate of Vehicle Excise Duty (Road Fund Licence) applies for new cars. Please refer to page 42 for the relevant rate for the second and subsequent years

<sup>3</sup>The recommended on-the-road price includes the Road Fund Licence applicable to the standard model plus delivery charge (£715.00 incl. VAT), new vehicle registration fee (£55.00) and number plates (£25.00 incl. VAT). VAT is calculated at the standard rate of 20%





Model line	Engine	Transmission	CO <sub>2</sub> WLTP <sup>1,*</sup>	Basic RRP excl. VAT	Total RRP incl. VAT	Road Fund Licence WLTP <sup>2</sup>	Rec. OTR price WLTP <sup>3</sup>	P11D value	BiK tax rate 2020/21 reg (pre 6 April)   (on/after 6 April)	
AMG Line Premium Plus	<b>GLA 200d</b> Diesel - 1,950 cc, 4-cylinder, 150 hp/110 kW	8G-DCT 8-speed automatic	144	£32,312.50	£38,775.00	£215.00	£39,785.00	£39,515.00	29%	31%
	<b>GLA 200d 4MATIC</b> Diesel - 1,950 cc, 4-cylinder, 150 hp/110 kW	8G-DCT 8-speed automatic	150	£33,645.83	£40,375.00	£215.00	£41,385.00	£41,115.00	31%	34%
	<b>GLA 220d 4MATIC</b> Diesel - 1,950 cc, 4-cylinder, 190 hp/140 kW	8G-DCT 8-speed automatic	151	£34,937.50	£41,925.00	£540.00	£43,260.00	£42,665.00	31%	34%
	<b>GLA 200</b> Petrol - 1,332 cc, 4-cylinder, 163 hp/120 kW	7G-DCT 7-speed automatic	156	£31,395.83	£37,675.00	£540.00	£39,010.00	£38,415.00	30%	34%
	<b>GLA 250</b> Petrol - 1,991 cc, 4-cylinder, 224 hp/165 kW	8G-DCT 8-speed automatic	174	£32,645.83	£39,175.00	£870.00	£40,840.00	£39,919.00	34%	37%

<sup>1</sup>The indicated values were determined according to the prescribed measurement method - Worldwide Harmonised Light Vehicle Test Procedure (WLTP). Figures shown may include options which are not available in the UK

<sup>\*</sup>Figures shown are for comparability purposes; only compare with other cars tested to the same technical procedures. Figures may not reflect real life driving results, which will depend upon a number of factors including factory-fitted options, accessories fitted (post registration), variations in weather, driving styles and vehicle load. Further information about the test used to establish fuel consumption and CO<sub>2</sub> figures can be found at <http://www.mercedes-benz.co.uk/WLTP>

<sup>2</sup>A different first year rate of Vehicle Excise Duty (Road Fund Licence) applies for new cars. Please refer to page 42 for the relevant rate for the second and subsequent years

<sup>3</sup>The recommended on-the-road price includes the Road Fund Licence applicable to the standard model plus delivery charge (£715.00 incl. VAT), new vehicle registration fee (£55.00) and number plates (£25.00 incl. VAT). VAT is calculated at the standard rate of 20%



## Pricing summary for model and equipment lines

Model	Transmission	Recommended OTR price (£) <sup>1</sup>					
		Sport	Sport Executive	AMG Line	AMG Line Executive	AMG Line Premium	AMG Line Premium Plus
<b>GLA 200d</b>	8G-DCT 8-speed automatic	33,785.00	35,285.00	35,285.00	36,785.00	38,285.00	39,785.00
<b>GLA 200d 4MATIC</b>	8G-DCT 8-speed automatic	-	-	36,885.00	38,385.00	39,885.00	41,385.00
<b>GLA 220d 4MATIC</b>	8G-DCT 8-speed automatic	-	-	38,435.00	39,935.00	41,435.00	43,260.00
<b>GLA 200</b>	7G-DCT 7-speed automatic	33,010.00	34,510.00	34,510.00	36,010.00	37,510.00	39,010.00
<b>GLA 250</b>	8G-DCT 8-speed automatic	-	-	36,340.00	37,840.00	39,340.00	40,840.00

<sup>1</sup>The recommended on-the-road price includes the Road Fund Licence applicable to the standard model plus delivery charge (£715.00 incl. VAT), new vehicle registration fee (£55.00) and number plates (£25.00 incl. VAT). VAT is calculated at the standard rate of 20%



> Book a test drive



> Find a Retailer

# Colours, trim and upholstery



Some of the model features, optional extras and colours shown may not be available, or may only be available in a different specification.

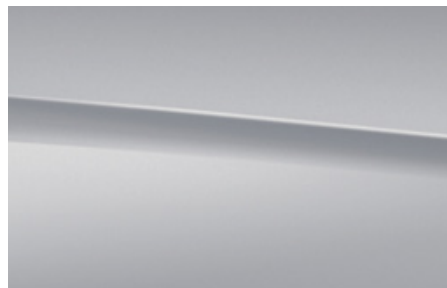


# Non-metallic and metallic paints (standard and optional)

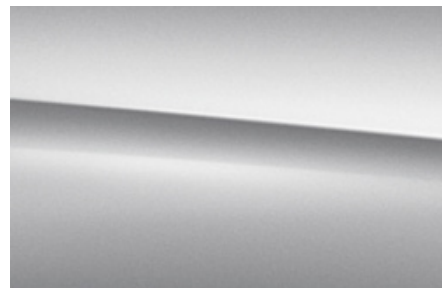
Total prices incl. VAT



149 polar white non-metallic **standard**



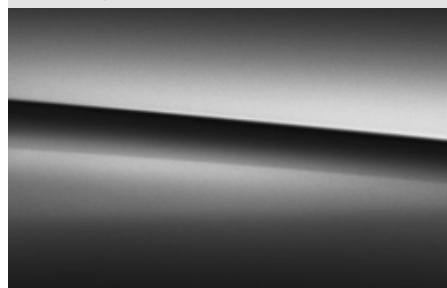
144 digital white metallic<sup>1</sup> **£595.00**



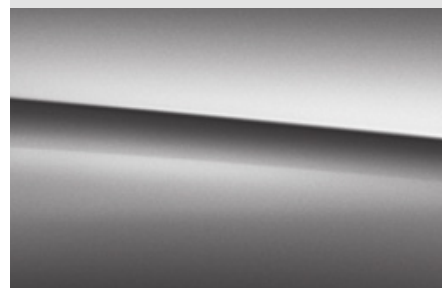
775 iridium silver metallic **£595.00**



993 designo patagonia red **£795.00**



191 cosmos black metallic **£595.00**



787 mountain grey metallic **£595.00**



667 denim blue metallic **595.00**

Please note that, owing to limitations of on-screen representation, paint colours may differ from those shown. <sup>1</sup>Available from Q3 2020 Production



> Book a test drive



> Find a Retailer

# Trim



H60 spiral-look trim

Sport	●
Sport Executive	●
AMG Line	-
AMG Line Executive	-
AMG Line Premium	-
AMG Line Premium Plus	-



H62 carbon-structure trim

Sport	-
Sport Executive	-
AMG Line	●
AMG Line Executive	●
AMG Line Premium	●
AMG Line Premium Plus	●



> Book a test drive



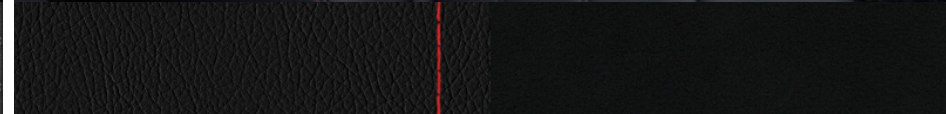
> Find a Retailer

# Upholstery



321A ARTICO man-made leather/Fléron fabric upholstery (black)

Sport	●
Sport Executive	●
AMG Line	-
AMG Line Executive	-
AMG Line Premium	-
AMG Line Premium Plus	-



651A ARTICO man-made leather/DINAMICA microfibre (black with red contrast stitching)

Sport	-
Sport Executive	-
AMG Line	●
AMG Line Executive	●
AMG Line Premium	●
AMG Line Premium Plus	●



> Book a test drive



> Find a Retailer

# Wheels



**R10** 18" 5-twin-spoke light-alloy wheels, aerodynamically optimised, painted in black and with a high-shine finish, 235/55 R 18 tyres

Sport	●
Sport Executive	●
AMG Line	-
AMG Line Executive	-
AMG Line Premium	-
AMG Line Premium Plus	-



**RTF** 19" AMG 5-twin-spoke light-alloy wheels aerodynamically optimised, painted in tantalite grey with a high-shine finish 235/50 R 19

Sport	-
Sport Executive	-
AMG Line	●
AMG Line Executive	●
AMG Line Premium	●
AMG Line Premium Plus	●



# Standard equipment

Item	Sport	Sport Executive	AMG Line	AMG Line Executive	AMG Line Permium	AMG Line Premium Plus
<b>Engine, Transmission and Suspension</b>						
Direct-Steer system	-	-	●	●	●	●
Driving modes – DYNAMIC SELECT with a choice of driving modes: ‘Eco’, ‘Comfort’, ‘Sport’ and ‘Individual’	●	●	●	●	●	●
ECO start/stop function	●	●	●	●	●	●
KEYLESS-GO starting function	●	●	●	●	●	●
Off-Road Engineering package (4MATIC only)	-	-	-	-	●	●
Rear axle: Multi-Link	●	●	●	●	●	●
Suspension – comfort suspension	●	●	-	-	-	-
Suspension – lowered comfort suspension	-	-	●	●	●	●
Off-Road Engineering package (4MATIC only) – including the additional drive program “OFF-ROAD”, Downhill Speed Regulation (DSR) and Off-Road Light (only in conjunction with MULTIBEAM LED part of Premium Plus)	-	-	●	●	●	●
<b>Exterior</b>						
Mirror package – electrically-folding mirrors and automatically-dimming driver’s side mirror and rear view mirror	-	●	-	●	●	●
Beltline strips and weather strip in chrome	●	●	●	●	●	●
Black grained claddings with chrome parts	●	●	●	●	●	●
Bodystyling – AMG bodystyling consisting of AMG-specific chrome elements	-	-	●	●	●	●

Item	Sport	Sport Executive	AMG Line	AMG Line Executive	AMG Line Permium	AMG Line Premium Plus
Bodystyling – AMG bodystyling consisting of AMG-specific high-gloss chrome front splitter	-	-	●	●	●	●
Bodystyling – AMG bodystyling consisting of large air intakes in black	-	-	●	●	●	●
Bodystyling – AMG bodystyling consisting of rear air outtakes	-	-	●	●	●	●
Bodystyling – simulated underguard in matt chrome	●	●	-	-	-	-
Brakes – front callipers with Mercedes-Benz logo lettering on front	-	-	●	●	●	●
Brakes – internally-ventilated and perforated brake discs at the front	-	-	●	●	●	●
Door handles – body-coloured	●	●	●	●	-	-
Door handles – body-coloured with chrome insert for KEYLESS entry	-	-	-	-	●	●
Door mirrors – electrically adjustable and heated with integrated LED indicators	●	●	●	●	●	●
Door pulls in silver chrome, brushed	-	-	●	●	●	●
Door sills – front door sills with ‘Mercedes-Benz’ lettering	●	●	●	●	-	-
Door sills – illuminated ‘Mercedes-Benz’ lettering	-	-	-	-	●	●
Exhaust – AMG-specific dual flow exhaust pipes in chrome	-	-	●	●	●	●
Exhaust – dual flow exhaust pipes	●	●	●	●	●	●
Front bumper/underdrive guard in high-gloss chrome	●	●	-	-	-	-
Glass – rear windscreen, heated with timer control	●	●	●	●	●	●
Lights – LED High Performance headlamps with integrated LED daytime running lights	●	●	●	●	●	-





Item	Sport	Sport Executive	AMG Line	AMG Line Executive	AMG Line Permium	AMG Line Premium Plus
<b>Exterior (continued)</b>						
Lights – LED tail lights in two-piece design	●	●	●	●	●	●
Lights – MULTIBEAM LED headlamps with Adaptive Highbeam Assist	-	-	-	-	-	●
Parking – Parking package including a reversing camera with parking guidelines, 180° view and Active Park Assist with PARKTRONIC	-	●	-	●	●	●
Parking – reversing camera with parking guidelines, 180° view	●	-	●	-	-	-
Panoramic glass sunroof	-	-	-	-	-	●
Power domes in the bonnet	●	●	●	●	●	●
Privacy glass	-	-	●	●	●	●
Radiator grille – single lamella grille painted silver matt with chrome inlay and black dots	●	●	-	-	-	-
Radiator grille – single lamella with chrome dotted diamond grille and inlay	-	-	●	●	●	●
Roof rails – aluminium	●	●	●	●	●	●
<b>Interior</b>						
Air conditioning – THERMOTRONIC luxury automatic climate control, two-zone, with display	●	●	●	●	●	●
Centre armrest – front, with stowage	●	●	●	●	●	●
Cup holder – twin, front	●	●	●	●	●	●
Floor mats – with stitched edging and ‘AMG’ lettering in front	-	-	●	●	●	●
Floor mats – velour	●	●	-	-	-	-

Item	Sport	Sport Executive	AMG Line	AMG Line Executive	AMG Line Permium	AMG Line Premium Plus
Folding rear seat backrest – the rear seat backrest can be split 40:20:40, with each section folding down individually	●	●	●	●	●	●
Instrument cluster – fluid level warning indicator for fuel, oil, coolant and washer fluid	●	●	●	●	●	●
Instrument cluster – outside temperature gauge	●	●	●	●	●	●
Instrument cluster – service indicator ASSYST	●	●	●	●	●	●
Instrument cluster – status display for rear seat belts	●	●	●	●	●	●
Instrument cluster – trip computer in multifunction display showing current fuel consumption	●	●	●	●	●	●
Interior lighting – 64-colour ambient lighting	-	-	-	-	●	●
Light and Sight package – vanity lights, reading lamps, footwell lighting, cup holder and stowage compartment lighting, oddments tray lighting, '4 light stones' overhead control panel including spectacles compartment, touchpad illumination, signal exit lamp, signal and ambient light and handle recess lights	●	●	●	●	●	●
Luggage net on driver's and front passenger Backrest	●	●	●	●	●	●
Net in front passenger footwell	●	●	●	●	●	●
Pedals – brushed stainless steel sports pedals with rubber studs	-	-	●	●	●	●
Seat Comfort package – front passenger seat height adjustment, seat cushion angle adjustment for the driver and front passenger seat as well as seat cushion depth adjustment for improved seating comfort thanks to a 60 mm greater supporting surface for the thighs	●	●	●	●	●	●



Item	Sport	Sport Executive	AMG Line	AMG Line Executive	AMG Line Permium	AMG Line Premium Plus
<b>Interior (continued)</b>						
Seats – comfort seats with adjustable head restraints	●	●	-	-	-	-
Seats – electrically adjustable front memory seats with lumbar support	-	-	-	-	-	●
Seats – heated front seats	●	●	●	●	●	●
Seats – manually adjustable	●	●	●	●	●	-
Seats – sports seats with adjustable head restraints	-	-	●	●	●	●
Spectacles compartment for driver	●	●	●	●	●	●
Stowage – compartment in centre console	●	●	●	●	●	●
Stowage – compartment with retractable cover	●	●	●	●	●	●
Sun visor with illuminated vanity mirror	●	●	●	●	●	●
Touchpad on centre console	●	●	●	●	●	●
Windows – electric windows (4)	●	●	●	●	●	●
<b>Steering</b>						
Steering column – manually adjustable for height and reach	●	●	●	●	●	●
Steering wheel – galvanised gearshift paddles	-	-	●	●	●	●
Steering wheel – multifunction sports steering wheel in leather	●	●	-	-	-	-
Steering wheel – multifunction sports steering wheel in Napa leather	-	-	●	●	●	●
Steering wheel – shift paddles	●	●	-	-	-	-

Item	Sport	Sport Executive	AMG Line	AMG Line Executive	AMG Line Permium	AMG Line Premium Plus
<b>Paint, Trim and Upholstery</b>						
Paint – non-metallic	●	●	●	●	●	●
Roof lining – black	●	●	●	●	●	●
Trim – carbon-structure	-	-	●	●	●	●
Trim – spiral-look trim	●	●	-	-	-	-
Upholstery – black ARTICO man-made leather/Fléron fabric	●	●	-	-	-	-
Upholstery – black ARTICO man-made leather/DINAMICA microfibre with red contrast stitching	-	-	●	●	●	●
<b>Communications and In-Car Entertainment</b>						
Augmented reality for navigation	-	-	-	-	●	●
DAB digital radio tuner	●	●	●	●	●	●
GPS Aerial	●	●	●	●	●	●
Hard-disk navigation	●	●	●	●	●	●
“Hey Mercedes” voice activation	●	●	●	●	●	●
Instrument display – 7-inch digital display	●	●	●	●	-	-
Instrument display – 10.25-inch digital display	-	-	-	-	●	●
Live Traffic Information (free for first three years)	●	●	●	●	●	●
Media display – 7-inch touchscreen display	●	-	●	-	-	-



Item	Sport	Sport Executive	AMG Line	AMG Line Executive	AMG Line Permium	AMG Line Premium Plus
<b>Communications and In-Car Entertainment (continued)</b>						
Media display – 10.25-inch touchscreen display	–	●	–	●	●	●
Mercedes me connect (standard services) – including emergency call system (eCall), accident recovery, breakdown management and maintenance management	●	●	●	●	●	●
MBUX multimedia system <sup>1</sup>	●	●	●	●	●	●
Owner's Manual and Service Booklet – English	●	●	●	●	●	●
Pre-installation for private car sharing	●	●	●	●	●	●
Pre-installation for vehicle monitoring	●	●	●	●	●	●
Pre-installation for vehicle set-up	●	●	●	●	●	●
Radio aerial integrated into windshields front and rear	●	●	●	●	●	●
Smartphone integration <sup>1</sup> including Apple CarPlay™ and Android Auto™	–	●	–	●	●	●
Sound system – Mercedes-Benz advanced sound system, 225W	–	–	–	–	●	●
Sound system – Mercedes-Benz sound system, 100W	●	●	●	●	–	–
USB ports – type C (2), in rear of stowage compartment and one in front of centre console	●	●	●	●	●	●
Vehicle key with decorative surround in chrome	●	●	●	●	●	●
Wireless charging <sup>2</sup>	–	●	–	●	●	●

Item	Sport	Sport Executive	AMG Line	AMG Line Executive	AMG Line Permium	AMG Line Premium Plus
<b>Safety and Assistance Systems</b>						
Active bonnet – pedestrian safety measure which detects an impact and raises bonnet by 65 mm	●	●	●	●	●	●
Active Lane Keeping Assist	●	●	●	●	●	●
Airbags – dual-stage, driver and front passenger	●	●	●	●	●	●
Airbags – head and side bags, driver and front passenger	●	●	●	●	●	●
Airbags – kneebag for driver	●	●	●	●	●	●
Airbags – window bags, driver and front passenger	●	●	●	●	●	●
Alarm system with immobiliser and interior protection – Thatcham category 1 (T1)	●	●	●	●	●	●
ATTENTION ASSIST	●	●	●	●	●	●
Braking – Active Brake Assist	●	●	●	●	●	●
Braking – Adaptive Brake Assist with HOLD function and Hill Start Assist	●	●	●	●	●	●
Braking – anti-lock braking system (ABS) with Brake Assist (BAS)	●	●	●	●	●	●
Braking – brake-pad wear warning indicator	●	●	●	●	●	●
Car wash function	●	●	●	●	●	●
Crash-responsive emergency lighting	●	●	●	●	●	●
Cruise Control with limiter	●	●	●	●	●	●
Easy pack tailgate	●	●	●	●	●	●

● Standard – Not available

<sup>1</sup>LINGUATRONIC off-board functions are currently only available for three years <sup>2</sup>Compatible mobile phone required. Please check [www.mercedes-benz-mobile.com](http://www.mercedes-benz-mobile.com) for details or contact your local Mercedes-Benz Retailer for further information



Item	Sport	Sport Executive	AMG Line	AMG Line Executive	AMG Line Permium	AMG Line Premium Plus
<b>Safety and Assistance Systems (continued)</b>						
Electric parking brake	●	●	●	●	●	●
Electronic Stability Programme (ESP®) with Acceleration Skid Control (ASR)	●	●	●	●	●	●
ESP® Curve Dynamic Assist	●	●	●	●	●	●
First-aid kit and warning triangle	●	●	●	●	●	●
Headlamp Assist – automatic headlamp activation	●	●	●	●	●	●
Lamp failure indicator	●	●	●	●	●	●
Locking – childproof locks, manually operated for rear doors and electrically operated for rear power windows	●	●	●	●	●	●
Locking – KEYLESS-GO (lock/unlock)	–	–	–	–	●	●
Locking – remote central locking and crash sensor with emergency opening function	●	●	●	●	●	●
Load compartment package including socket in load compartment	●	●	●	●	●	●
Pre-installation for Trailer coupling	–	–	–	–	●	●
Rain-sensing windscreen wipers	●	●	●	●	●	●
Rear fog lamp	●	●	●	●	●	●

Item	Sport	Sport Executive	AMG Line	AMG Line Executive	AMG Line Permium	AMG Line Premium Plus
Seats – automatic child seat recognition sensor (pressure sensor)	●	●	●	●	●	●
Seats – ISOFIX and top-tether child seat fixing points in rear (two outer seats)	●	●	●	●	●	●
Seats – seat occupancy sensor, front passenger seat	●	●	●	●	●	●
Seat belts – reminder, front and rear	●	●	●	●	●	●
Seat belts – three-point, rear (3)	●	●	●	●	●	●
Speed Limit Assist	●	●	●	●	●	●
Summer tyres	●	●	●	●	●	●
Traffic Sign Assist	–	–	–	–	–	●
Tyres – TIREFIT tyre-sealant kit	●	●	●	●	●	●
Tyres – tyre pressure monitoring system	●	●	●	●	●	●



> Book a test drive



> Find a Retailer

## Genuine Accessories

We've developed a range of Accessories you can add to help personalise and enhance your GLA. Your local Mercedes-Benz Retailer can advise on fitting costs of Accessories, where applicable. Further information on our full range of Genuine Accessories can be found here on the Mercedes-Benz Cars UK website.

### 01 | Shallow boot tub (A2478140000)

The shape of the tub, with its slightly raised edge, is optimally tailored to the load area. Very robust – made from impact-resistant, non-split polypropylene. The structured surface prevents the load from sliding around, and makes it easy to secure the optional stowage crate.

RRP £88.00 (incl. VAT)

### 02 | Stowage crate (A0008140400)

The robust plastic stowage box creates order in the boot. The black box can be divided into two sections using the enclosed rigid dividing element and be combined with the Mercedes-Benz boot tub thanks to the ribbed structure at the bottom.

Capacity: 51 litres.

RRP £87.50 (incl. VAT)

### 03 | All-season floor mats, classic

Precision tailored and rigorously tested, the Mercedes-Benz all-season floor mats are the perfect companion for your active lifestyle.

Front mats (A17768080029G33): RRP £59.64 (incl. VAT)

Rear mats (A24768002039G33): RRP £33.96 (incl. VAT)

Reversible mat (A2476841500): RRP £82.80 (incl. VAT)





➤ Book a test drive



➤ Find a Retailer



04

#### 04 | Concertina Load Sill Protector (A2536932000)

The concertina load sill protector prevents the bumper and boot sill from become scratched. The protector can be attached via hooks to the lifting eyes or can be attached via a velcro strip to the reversible mat or roof box. Simple and versatile.

RRP £41.50 (incl. VAT)



05

#### 05 | Basic carrier bars for roof rails (A2478903000)

Aluminium carrier bars, precision-tailored to the body of your Mercedes-Benz – the perfect basis for a range of Mercedes-Benz transport solutions: ski and snowboard rack, bicycle rack or roof boxes.

RRP £258.00 (incl. VAT)



06

#### 06 | Mercedes-Benz roof box 400 (A0008400100)

An aerodynamic design, tailored to your Mercedes-Benz. Extremely durable material. Designed for quick, optimised attachment to the basic carrier bars. Particularly convenient loading and unloading thanks to the option of double-sided opening. Three locking mechanisms.

RRP £431.00 (incl. VAT)



07

#### 07 | Bicycle rack (A0008929364)

Easy to use, convenient and lightweight. Bicycles can be attached at ground level before the rack is fitted. Up to three bicycle carriers can be fitted at one time. The alustyle cycle carrier is designed for the new alustyle basic carrier bars.

RRP £121.00 (incl. VAT)



08

#### 08 | Ski and snowboard rack, standard (A0008900393)

The ski and snowboard rack from Mercedes-Benz is the ideal transport accessory for winter sports enthusiasts. The rack is fitted to the Mercedes-Benz new alustyle basic carrier bars and is designed to carry up to four pairs of skis (without sticks) or two snowboards, depending on the height of the bindings. The racks are tested to exacting Mercedes-Benz standards.

RRP £192.00 (incl. VAT)



# Technical data

Model	Petrol engines		Diesel engines			
	GLA 200	GLA 250	GLA 200 d	GLA 200 d 4MATIC	GLA 220 d 4MATIC	
<b>Engine</b>						
Total displacement	cc	1,332	1,991	1,950	1,950	1,950
Arrangement/cylinders/valves		in-line/4/16	in-line/4/16	in-line/4/16	in-line/4/16	in-line/4/16
Fuel delivery		Petrol injection	Petrol injection	Diesel injection	Diesel injection	Diesel injection
Power <sup>1</sup>	hp (kW) at rpm	163 (120)/5,500	224 (165)/5,500	150 (110)/3,400-4,400	150 (110)/3,400-4,400	190 (140)/3,800
Torque <sup>1</sup>	Nm at rpm	250/1,620-4,000	350/1,800-4,000	320/1,400-3,200	320/1,400-3,200	400/1,600-2,600
Compression ratio		10.6:1	10.5:1	15.5:1	15.5:1	15.5:1
Emissions standard		Euro 6d ISC-FCM	Euro 6d-ISC-FCM	Euro 6d ISC-FCM	Euro 6d ISC-FCM	Euro 6d ISC-FCM
<b>Transmission</b>						
7G-DCT 7-speed automatic		●	-	-	-	-
8G-DCT 8-speed automatic		-	●	●	●	●
<b>Performance</b>						
Acceleration 0-62 mph	sec	8.7	6.9	8.6	8.9	7.3
Top speed	mph	130	149	129	127	136



Model	Petrol engines		Diesel engines		
	GLA 200	GLA 250	GLA 200 d	GLA 200 d 4MATIC	GLA 220 d 4MATIC

**Weights and capacities**

Kerb weight <sup>2</sup>	kg	1,485	1,540	1,615	1,670	1,670
Perm. Gross Vehicle Weight	kg	2,010	2,070	2,135	2,190	2,190
Towing capacity – unbraked/braked	kg	740/1,800	750/2,000	750/1,800	750/2,000	750/2,000
Boot capacity – seats up/down	l	495/1,430	495/1,430	485/1,420	485/1,420	485/1,420
Fuel tank capacity/of which reserve	l	43/5	43/5	43/5	51/5	51/5
Turning circle	m	11.4	11.4	11.4	11.4	11.4

**Fuel consumption<sup>3,4,5</sup>**

Combined (consumption dependent on chosen optional equipment)	l/100 km mpg	6.7-6.9 42.2-40.9	7.6-7.7 37.2-36.7	5.4-5.5 52.3-51.4	5.6-5.7 50.4-49.6	5.7 49.6
---	-----------------	----------------------	----------------------	----------------------	----------------------	-------------

**Insurance group ratings**

Group rating	tba	tba	tba	tba	tba
--------------	-----	-----	-----	-----	-----

Insurance ratings may vary depending on model line and specification. Please refer to <http://www.thatcham.org/abigrouprating/> for further details

<sup>2</sup>Figures according to Directive 92/21/EC (kerb weight with fuel tank 90% full, driver, 68 kg, and luggage, 7 kg) for standard-specification vehicles. Optional extras and accessories will generally increase this figure and reduce the payload capacity accordingly

<sup>3</sup>All figures are based on a standard specification with the smallest tyre size <sup>4</sup>The choice of wheels and transmission may affect CO<sub>2</sub> emissions and corresponding Road Fund Licence

<sup>5</sup>The indicated values were determined according to the prescribed measurement method – Worldwide Harmonised Light Vehicle Test Procedure (WLTP). Figures shown may include options which are not available in the UK

Figures shown are for comparability purposes; only compare with other cars tested to the same technical procedures. Figures may not reflect real life driving results, which will depend upon a number of factors including factory-fitted options, accessories fitted (post registration), variations in weather, driving styles and vehicle load. Further information about the test used to establish fuel consumption and CO<sub>2</sub> figures can be found at <http://www.mercedes-benz.co.uk/WLTP>

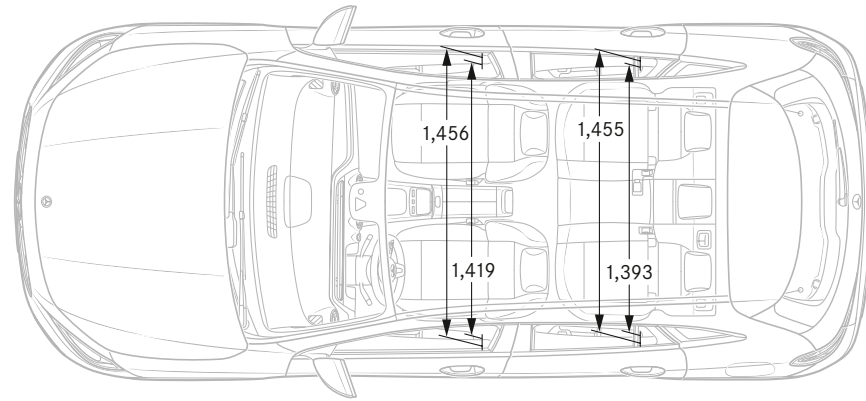
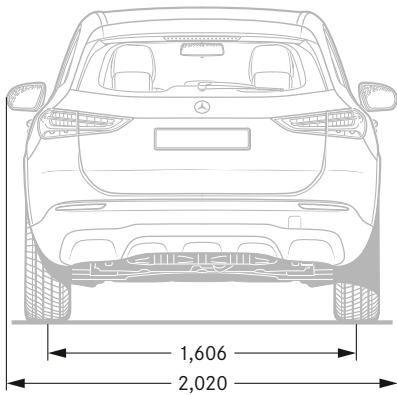
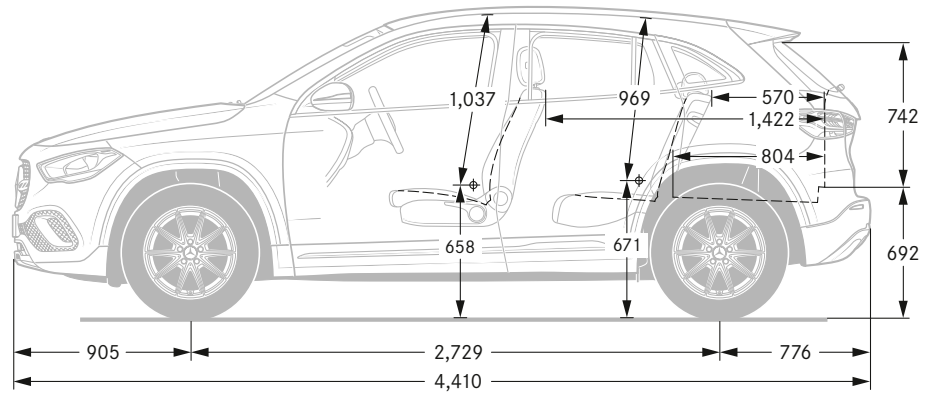
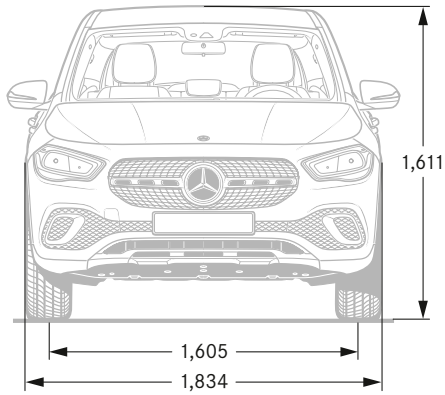




➤ Book a test drive



➤ Find a Retailer



All measurements in millimetres. The dimensions shown are mean values and apply to standard-specification, unladen vehicles. Dimensions may vary slightly depending on the engine. Please consult your Retailer for further information. The figures on pages 39-41 are correct at time of publication. Please refer to the government website for latest data - <http://carfueldata.direct.gov.uk/>



# Road Fund Licence



All road vehicle registrations are subject to Vehicle Excise Duty (Road Fund Licence), which varies in accordance with the vehicle's CO<sub>2</sub> emissions. A first year rate for each taxation band will apply. The table below shows the bands (A–M) created by the DVLA and the corresponding Road Fund Licence. CO<sub>2</sub> emissions and the relevant Excise Duty are shown on the model pricing page 23.

Band	CO <sub>2</sub> emissions (g/km)	First year rate petrol and RDE2 diesel (£)	First year rate all other diesel (£) <sup>1</sup>	First year rate alternative fuel (£)	Electric vehicles		Alternative fuel vehicles		Petrol/diesel vehicles	
					Standard rate (£)	Premium rate (£) <sup>2</sup>	Standard rate (£)	Premium rate (£) <sup>2</sup>	Standard rate (£)	Premium rate (£) <sup>2</sup>
A	0	0.00	0.00	0.00	0.00	0.00	0.00	0.00	0.00	0.00
B	1 to 50	10.00	25.00	0.00	0.00	0.00	145.00	465.00	150.00	475.00
C	51 to 75	25.00	110.00	15.00	0.00	0.00	145.00	465.00	150.00	475.00
D	76 to 90	110.00	135.00	100.00	0.00	0.00	145.00	465.00	150.00	475.00
E	91 to 100	135.00	155.00	125.00	0.00	0.00	145.00	465.00	150.00	475.00
F	101 to 110	155.00	175.00	145.00	0.00	0.00	145.00	465.00	150.00	475.00
G	111 to 130	175.00	215.00	165.00	0.00	0.00	145.00	465.00	150.00	475.00
H	131 to 150	215.00	540.00	205.00	0.00	0.00	145.00	465.00	150.00	475.00
I	151 to 170	540.00	870.00	530.00	0.00	0.00	145.00	465.00	150.00	475.00
J	171 to 190	870.00	1,305.00	860.00	0.00	0.00	145.00	465.00	150.00	475.00
K	191 to 225	1,305.00	1,850.00	1,295.00	0.00	0.00	145.00	465.00	150.00	475.00
L	226 to 255	1,850.00	2,175.00	1,840.00	0.00	0.00	145.00	465.00	150.00	475.00
M	over 255	2,175.00	2,175.00	2,165.00	0.00	0.00	145.00	465.00	150.00	475.00

<sup>1</sup>Applies to all Mercedes-Benz diesel models which do not comply with Real Driving Emissions step 2 (RDE2)

<sup>2</sup>Premium rate only applicable to vehicles where the list price is over £40,000 including any factory-fitted options, standard UK delivery charge, number plates, fuel and VAT



# Services and insurance

## Mercedes-Benz ServiceCare

We believe that servicing costs should be as flexible and affordable as possible for your GLA, which is why we offer ServiceCare, an easy way to budget for all your servicing costs. It spreads your bills into manageable payments based on whether you have a new or used Mercedes-Benz.

With ServiceCare we guarantee the price of parts and labour for up to four services and safeguard against any further inflation. It also covers the cost of all recommended service items including brake fluid, spark plugs, air filters, fuel filters and screen wash.

You can choose either to add your servicing costs into your monthly spend or pay the full amount in a one-off payment, giving you peace of mind that they are taken care of for the period of the plan.

To receive a personalised ServiceCare plan recommendation visit the ServiceCare Calculator at [servicecarerates.mercedes-benz.co.uk](http://servicecarerates.mercedes-benz.co.uk)

## Warranty and breakdown cover

Every Mercedes-Benz comes with a three-year unlimited mileage warranty against manufacturing or material defects<sup>1</sup> and up to 30 years warranty against perforation due to corrosion from the inside out.<sup>2</sup> What's more, it's also covered by Mercedes-Benz Roadside Assistance – a unique package comprising up to 30 years pan-European breakdown assistance.<sup>2</sup>

## Motor Insurance

Superb cover comes as standard. When reviewed by an independent research company, Defaqto, Mercedes-Benz Motor Insurance received a five-star rating, the highest rating available. We design our Motor Insurance specifically for Mercedes-Benz drivers.

For more information or to obtain a quote, click [here](#).



# Mercedes-Benz Finance

## Why should you finance with Mercedes-Benz?

At Mercedes-Benz we believe a great driving experience should be matched by an equally great ownership experience. That is why we put just as much thought, time and effort into designing our finance options, our service plans and our insurance cover as we do into our vehicles.

We are not in the business of simply providing a loan to fund the purchase of your dream vehicle. We look on it as a journey that we take with you, from the moment you choose your new Mercedes-Benz, to helping you in choosing your next one.

If you would like to find out more about any of our current offers, simply call into your local Mercedes-Benz Retailer where one of our Business Managers will be more than happy to talk you through anything you need to know.

## Helping you find the right solution.

You should find our finance packages are more convenient than a traditional personal loan because:

- Funds are immediately available – no waiting for cheques or loans to clear.
- There is no security required – either against your home or other assets.
- We have clear and transparent rates – the APR we quote is the APR you get.
- We have friendly Business Managers – experts in vehicle finance who can talk you through all of your plans in detail.

One of our most popular finance products is Mercedes-Benz Agility (our Personal Contract Purchase product). We also offer Contract Hire, Operating Lease and Hire Purchase solutions. If you would like to find out more about these speak to your Retailer or visit [www.mercedes-benz.co.uk/fandi](http://www.mercedes-benz.co.uk/fandi).

## Mercedes-Benz Agility (our PCP product).

At the start of an Agility agreement, you put down a deposit and decide the term of your agreement and your annual mileage. You will be advised of the Guaranteed Future Value, which offers you the reassurance of knowing exactly what you will need to pay to own the vehicle outright in the future (this is known as the Optional Purchase Payment).

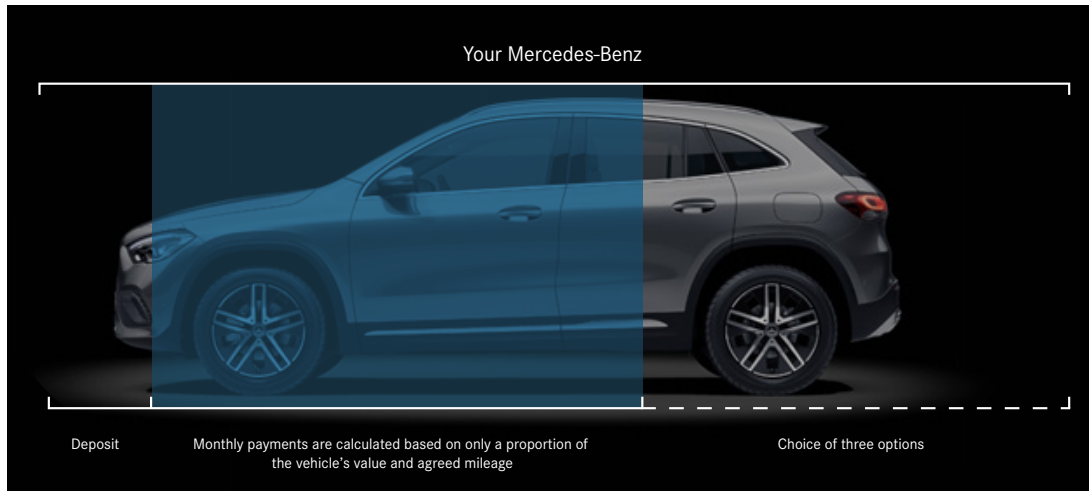
Throughout your agreement you simply pay your agreed monthly payments and when the agreement comes to an end you either purchase, hand back or part-exchange your vehicle.





### Agility features:

- Fixed regular payments mean you can easily budget.
- Payments are based only on a proportion of the vehicle's value, keeping your monthly payments lower.
- Our Guaranteed Future Value avoids the risk of unplanned depreciation of your vehicle.
- You defer your ownership decision until the end of the agreement.



### At the end of your agreement you have three options to choose from.

#### Option 1: Purchase your Mercedes-Benz.

Purchase your Mercedes-Benz by paying the Optional Purchase Payment and Purchase Activation Fee.<sup>1</sup> This will complete the purchase of your Mercedes-Benz, leaving you free to simply enjoy your vehicle.

#### Option 2: Hand back your Mercedes-Benz.

If you decide to return your vehicle to us, it must be in line with our Vehicle Return Standards,<sup>\*</sup> as vehicle condition, excess mileage and other charges may be payable.

#### Option 3: Part-Exchange for a new vehicle.

Purchase your Mercedes-Benz by paying the Optional Purchase Payment and Purchase Activation Fee.<sup>1</sup> This will complete the purchase of your Mercedes-Benz, leaving you free to part-exchange for a new vehicle.

<sup>1</sup>Please note the 'Purchase Activation Fee' of £10 will be debited from your account \*To find out more information about our Vehicle Return Standards please visit <http://mercedes-benz.co.uk/vrs>





> Book a test drive





> Find a Retailer

Follow us on the following social media channels:

 [facebook.com/mercedesbenz](https://facebook.com/mercedesbenz)

 [twitter.com/mercedesbenz](https://twitter.com/mercedesbenz)

 [youtube.com/mercedesbenz](https://youtube.com/mercedesbenz)

 [instagram.com/mercedesbenz](https://instagram.com/mercedesbenz)

Effective from April 2020 Production. Information correct at time of publication 01.04.2020.

Prices and specifications are subject to change without prior notice.

MBH247PL/0420

Mercedes-Benz Cars UK Limited, Tongwell, Milton Keynes, MK15 8BA. Company number 2448457. [www.mercedes-benz.co.uk](http://www.mercedes-benz.co.uk)